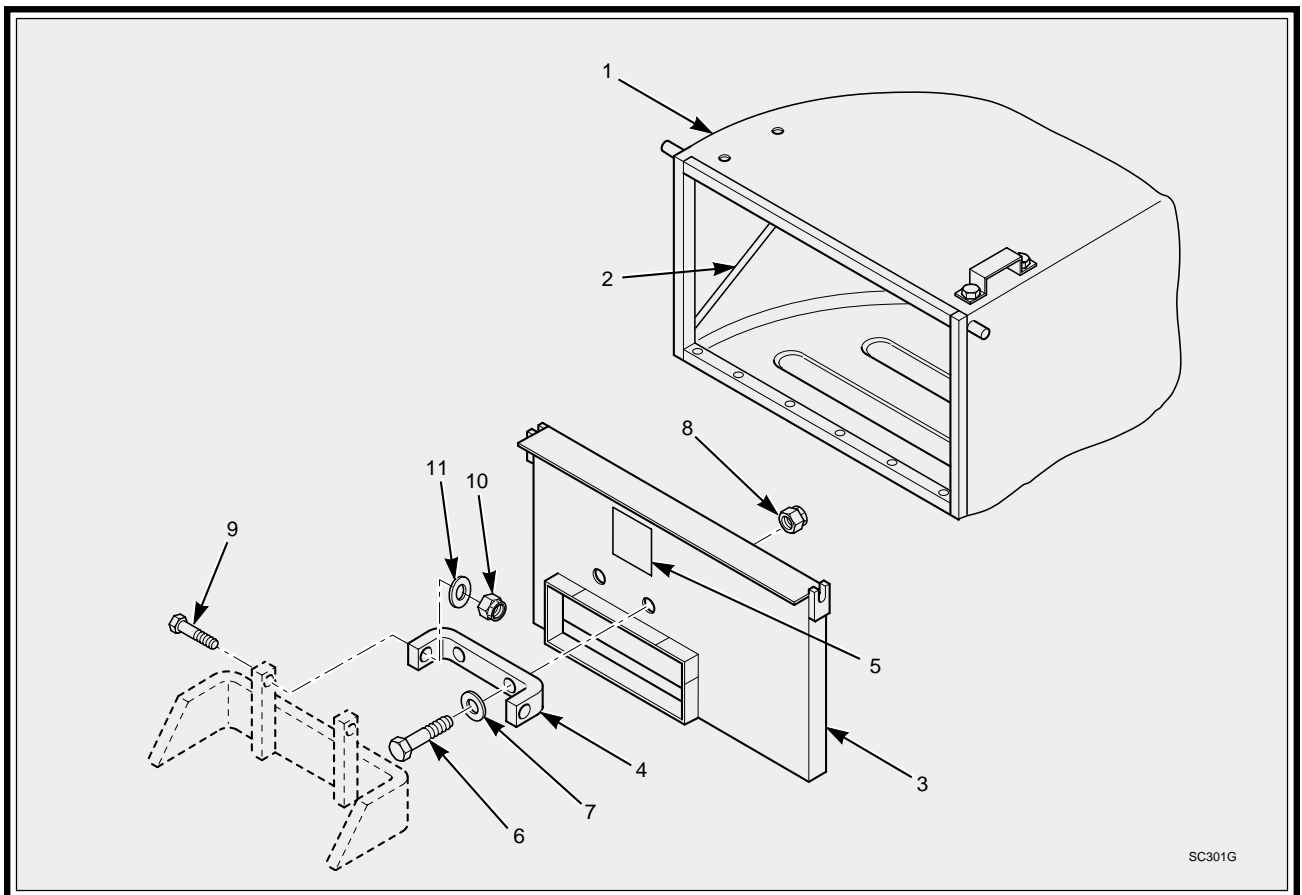


SCAG
POWER EQUIPMENT

OPERATOR'S MANUAL

MODEL GC-F4 GRASS CATCHER



SC301G

PART 03022

SAFETY INSTRUCTIONS

Your mower is only as safe as the operator! As with any type of power equipment or accessory, carelessness or error on the part of the operator may result in serious bodily injury. To reduce the potential for injury, please read and follow these instructions on safe operation and be certain that anyone using this accessory fully understands and complies with the following instructions.

1. Read and understand the contents of this manual before operating your machine with this accessory attached.
2. If a mechanism becomes clogged, stop the engine before cleaning.
3. Before performing any maintenance or service, stop the machine and remove the spark plug wire.
4. Do not allow children to operate equipment with this accessory installed. Do not allow adults to operate equipment with this accessory installed without proper instruction.
5. Shut the engine off and wait until the blades come to a complete stop before removing the grass catcher container.



6. If the discharge area should plug, shut the engine off and wait for all movement to stop before removing obstructions.
7. This accessory, when installed, may change the performance and operation of your machine. Be sure you have practiced operating your machine with this accessory attached in a clear and open area before beginning to mow grass.
8. Woven fabric, even with normal use, is subject to deterioration and/or wear. Check the catcher bag frequently and replace the bag if worn.

-Note-

If you are installing the catcher to a machine with an Advantage cutter deck, you must also install the filler plate (item 12) to the cutter deck.

9. Hold the filler plate (item 12) to the front of the cutter deck as shown in figure 1. Center punch the two hole locations in the cutter deck. Drill the holes at the marked locations using a 1/8" drill bit, then finish drilling using a 9/32" drill bit.
10. Install the deck filler plate to the inside front of the Advantage deck using (2) 1/4-20 x 3/4" bolts and (2) 1/4-20 elastic stop nuts.

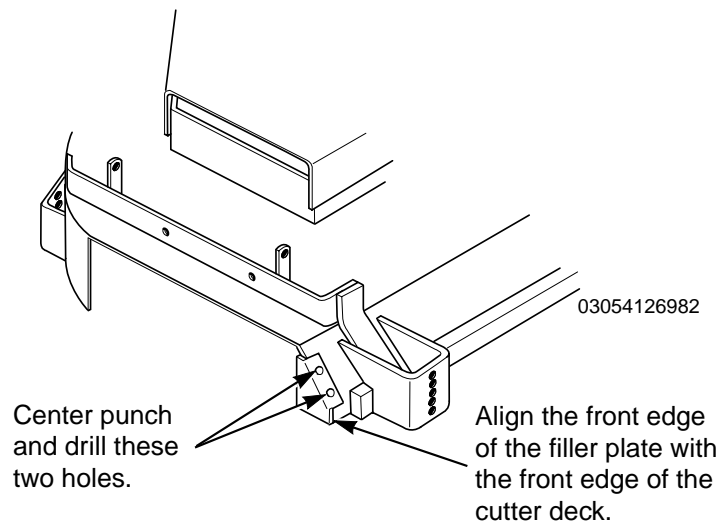


Figure 1. Filler Plate Installation

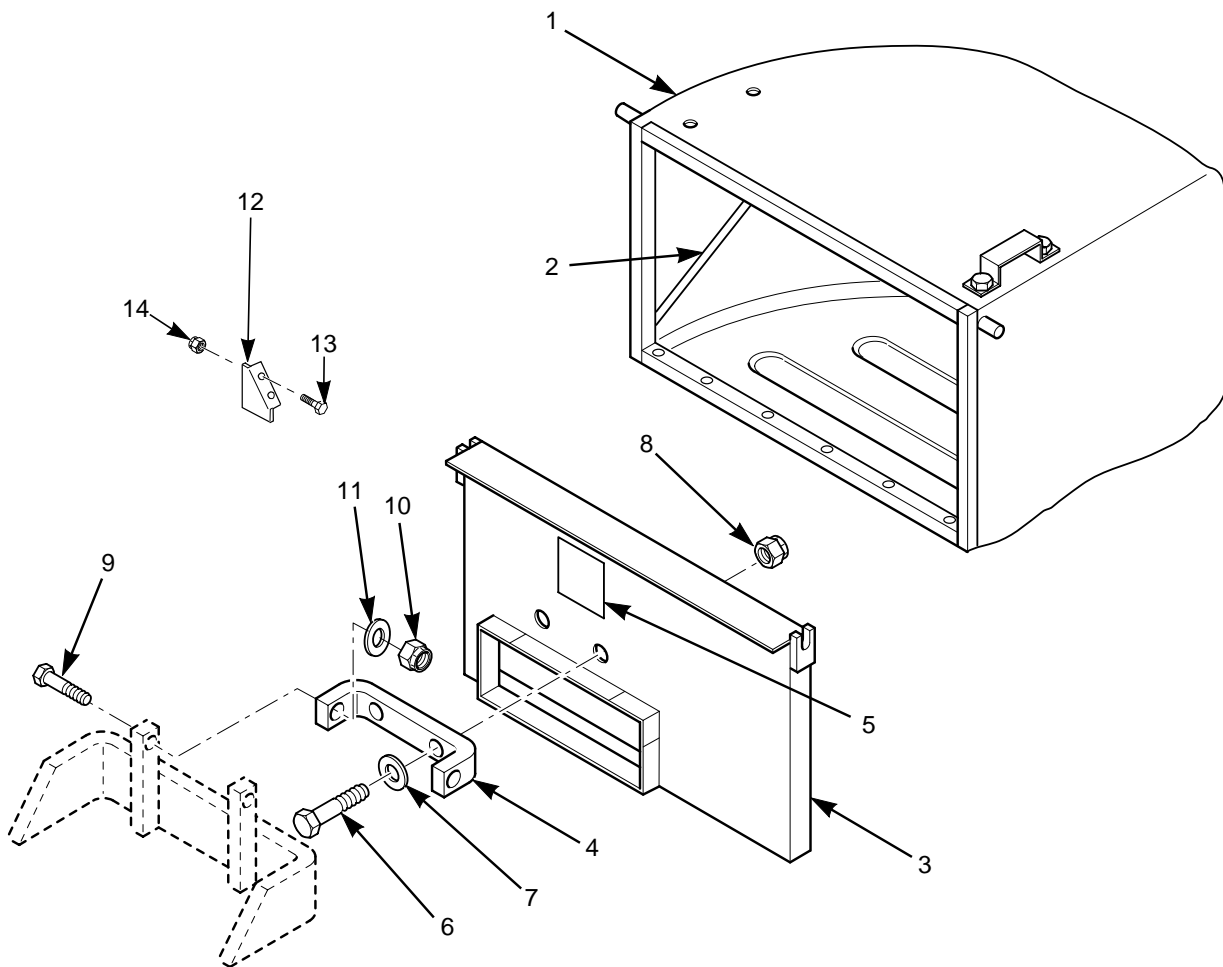
REMEMBER - YOUR MOWER IS ONLY AS SAFE AS THE OPERATOR!

**FAILURE TO FOLLOW SAFE OPERATING PRACTICES
MAY RESULT IN SERIOUS INJURY.**

This manual covers the operating instructions
and illustrated parts list for:

GC-F4 Grass Catcher Accessories

GRASS CATCHER GC-F4



SC301G

Ref. No.	Part Number	Description
1	481140	Catcher Bag
2	481135	Frame Weldment With Catcher Bag and Handle Assembly
3	46452	Cover Weldment With Decal
4	42211	Bracket, Mounting
5	48236	Decal, Danger
6	04001-20	Bolt, 3/8-16 x 1.50" Hex Head
7	04041-07	Flat Washer, 3/8 (.391 x .938 x .105)
8	04021-09	Nut, 3/8-16 Elastic Stop
9	04001-10	Bolt, 5/16-18 x 1.25" Hex Head
10	04021-10	Nut, 5/16-18 Elastic Stop
11	04040-15	Flat Washer, 5/16 (.375 x .875 x .083)
12	422592	Filler Plate, Chute Advantage Deck Only
13	04001-01	Bolt, Hex Head 1/4-20 x 3/4"
14	04021-08	Nut, Elastic Stop 1/4-20

NOTES

© 2002
SCAG POWER EQUIPMENT
DIVISION OF METALCRAFT OF MAYVILLE

PART NO. 03022
REVISED PRINTING 2/02
PRINTED IN USA