

# SCAG<sup>®</sup>

## POWER EQUIPMENT

# MODEL GC-STWC-61V



THIS MANUAL CONTAINS THE OPERATING INSTRUCTIONS AND SAFETY INFORMATION FOR YOUR SCAG ACCESSORY. READING THIS MANUAL WILL PROVIDE YOU WITH MAINTENANCE AND ADJUSTMENT PROCEDURES TO KEEP YOUR ACCESSORY PERFORMING TO MAXIMUM EFFICIENCY. THE SPECIFIC MODELS THAT THIS BOOK COVERS ARE CONTAINED ON THE INSIDE COVER. BEFORE OPERATING YOUR MACHINE, PLEASE READ ALL THE INFORMATION ENCLOSED.

# OPERATOR'S MANUAL



# **WARNING**

## **FAILURE TO FOLLOW SAFE OPERATING PRACTICES MAY RESULT IN SERIOUS INJURY.**

- \* Keep all safety shields in place.
- \* Before performing any maintenance or service, stop the machine and remove the spark plug wire.
- \* If a mechanism becomes clogged, stop the engine before cleaning.
- \* Keep hands, feet and clothing away from power-driven parts.
- \* Read this manual completely as well as the Operator's Manual that came with your mower.
- \* Keep others off the mower (only one person at a time).

## **REMEMBER - YOUR MOWER IS ONLY AS SAFE AS THE OPERATOR!**

**Hazard control and accident prevention are dependent upon the awareness, concern, prudence, and proper training of the personnel involved in the operation, transport, maintenance, and storage of the equipment.**

This manual covers the operating instructions  
and illustrated parts list for:

**GC-STWC-61V with a serial number of E0200001 to E0299999**

## 1.1 INTRODUCTION

This manual has been prepared to provide the information you need to correctly assemble, operate, and maintain this grass catcher. Read it carefully and keep it for future reference.

**THE REPLACEMENT OF ANY PART ON THIS PRODUCT BY OTHER THAN THE MANUFACTURER'S AUTHORIZED REPLACEMENT PART MAY ADVERSELY AFFECT THE PERFORMANCE, DURABILITY OR SAFETY OF THIS PRODUCT.**

**USE OF OTHER THAN ORIGINAL SCAG REPLACEMENT PARTS WILL VOID THE WARRANTY.**

If additional information or service is needed that is not outlined in this manual, please contact your Scag Power Equipment dealer. Scag dealers are trained in the latest service methods and carry a full line of Scag replacement parts.

When ordering parts, always provide the complete model number of your catcher.

All information provided in this manual is based upon information available at the time of printing. Scag Power Equipment reserves the right to make changes at any time without notice or obligation.

## 1.2 DIRECTION REFERENCE

The "Right" and "Left", "Front" and "Rear" of the machine are referenced from the normal operating position.

## 2.1 SAFETY AND OPERATING INSTRUCTIONS

**-NOTE-**

*To avoid personal injury, it is imperative that all safety instructions be observed.*

1. **Read this operator's manual and the operator's manual that is supplied with the machine this attachment is used on.**

A replacement manual is available from your authorized Scag Service Dealer or by contacting: Scag Power Equipment, Service Department at P.O. Box 152, Mayville, WI 53050. You may also contact us through our website at [www.scag.com](http://www.scag.com). The manual for this grass catcher can be downloaded by using the model and serial number or use the contact form to make your request. Please indicate the complete model and serial number of your Scag product when requesting replacement manuals.

### **WARNING**

**DO NOT OPERATE WITHOUT DISCHARGE CHUTE, MULCHING KIT, OR ENTIRE GRASS CATCHER INSTALLED**

2. Before removing the grass bags, disengage the mower, stop the engine and wait for all movement to stop.
3. **ALWAYS** turn the engine **OFF**, remove the key and wait for all movement to stop before servicing or cleaning the mower or the grass catcher.

### **DANGER**



**ROTATING BLOWER  
BLADES**

**STOP ENGINE BEFORE  
ENTERING CHUTE**

**CONTACT CAN INJURE**

4. Do not modify or alter any component of the grass catcher attachment or mower.
5. Do not allow any passengers to ride on the grass catcher attachment or on the mower.

## 3.1 ASSEMBLY INSTRUCTIONS FOR 61" CUTTER DECK

**-NOTE-**

Use the illustrated parts list as a part number reference when following the assembly instructions.

1. Remove all packaging materials. Lay out the mounting hardware and the catcher assembly parts for easy access. Prepare the work area making sure that it is a clean, safe environment.



2. Remove the discharge chute from the cutter deck. See Figure 3-1.

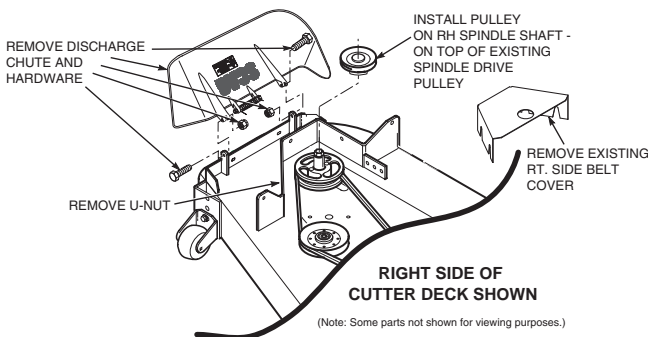
**-NOTE-**

Do not discard the discharge chute or mounting hardware. The discharge chute **MUST** be reinstalled any time the grass catcher has been removed from the machine.

3. Remove the right side belt cover to gain access to the spindle assembly. Remove the front u-nut from the cutter deck bracket. See Figure 3-1.

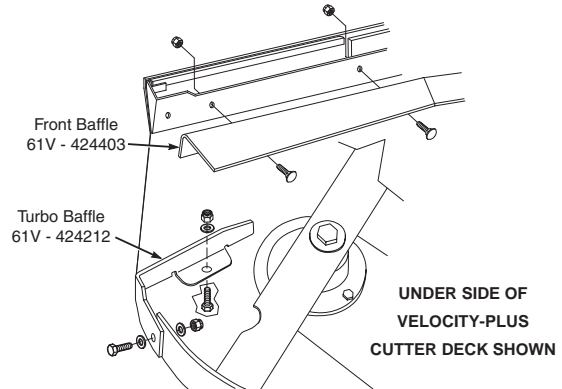
**-NOTE-**

Retain the original belt cover. This cover **MUST** be reinstalled any time the complete catcher system is removed.



**FIGURE 3-1**

4. Install the grass catcher pulley onto the spindle assembly. Apply loctite to both pulley setscrews and tighten. See Figure 3-1.
5. Remove the "Custom-Cut" and "Turbo" baffles from the cutter deck. Using the original hardware, install the new "Front" and "Turbo" baffles. See Figure 3-2.

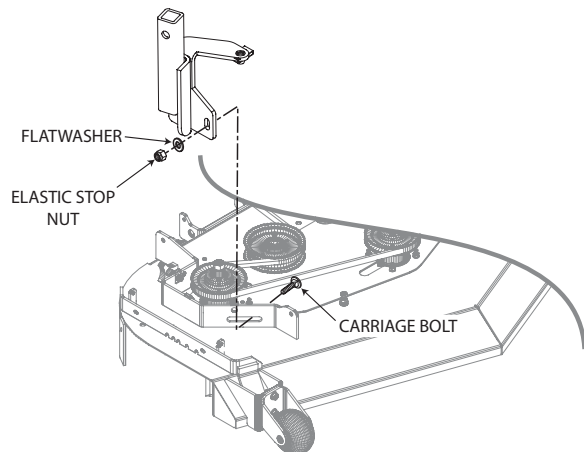


**FIGURE 3-2**

**-NOTE-**

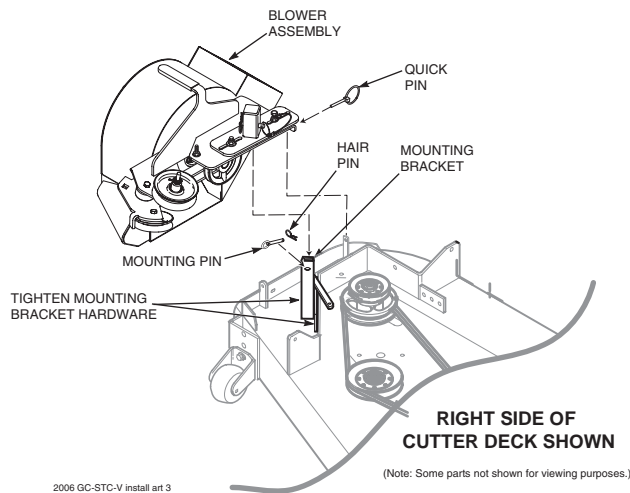
Do not discard the original "Custom-Cut" or "Turbo" baffles. These baffles may be reinstalled any time the grass catcher has been removed from the machine.

6. Install the blower mounting bracket to the deck using carriage bolts (p/n 04003-11), lockwashers, and nuts. Do not fully tighten the hardware at this time. See Figure 3-3.



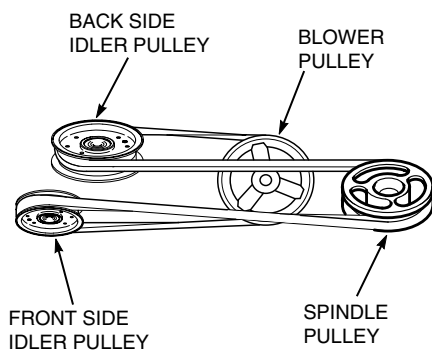
**FIGURE 3-3**

7. Install the blower assembly to the mounting bracket and secure with the mounting pin. See Figure 3-4.
8. Align the blower assembly with the discharge opening of the cutter deck. Tighten the hardware for the mounting bracket. See Figure 3-4.
9. Install the quick pin through the rear hole in the discharge chute mounting bracket. See Figure 3-4.



**FIGURE 3-4**

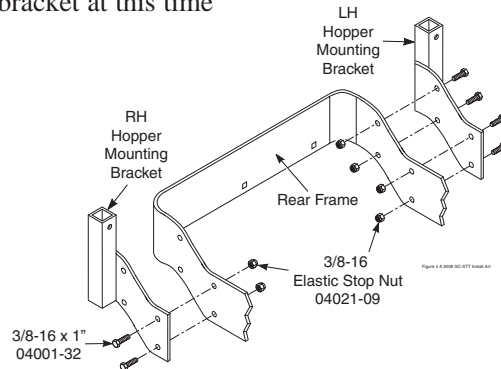
10. Install the belt to the spindle pulley. When replacing the belt, see figure 3-5 below.



**FIGURE 3-5**

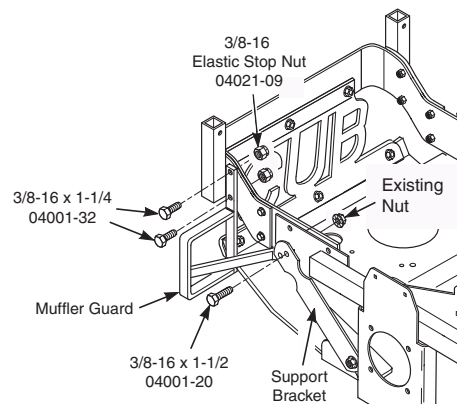
11. Install the new belt covers and secure. See items number 1 and number 21 on page 10 of the Blower Mounting Components section in the Illustrated Parts List for proper installation.

12. Install the LH & RH hopper mounting brackets to the outside of the frame on the rear of the machine and secure using six (6) 3/8-16 x 1" hex head bolts, and six (6) 3/8-16 elastic stop nuts. See Figure 3-6. Do Not install mounting hardware in the rear holes provided in the RH hopper mounting bracket at this time



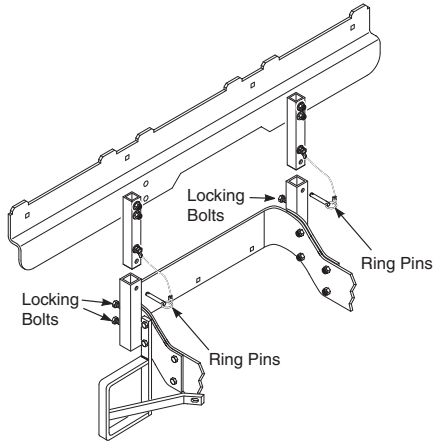
**FIGURE 3-6**

13. Remove the upper hex head bolt and serrated flange nut securing the support bracket to the frame of the machine. Retain the serrated flange nut for re-use. Install the muffler guard as shown and assemble to the frame of the machine by installing two (2) 3/8-16 x 1-1/4" hex head bolts through the rear holes in the RH hopper mounting bracket and secure with two (2) 3/8-16 elastic stop nuts provided. See Figure 3-7. Install the front mounting tab of the muffler guard between the support bracket and the frame of the machine. Secure with the 3/8-16 x 1-1/2" hex head bolt supplied with this catcher and the serrated flange nut removed previously.



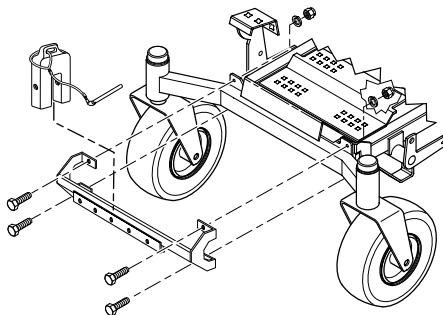
**FIGURE 3-7**

14. Attach the hood assembly to the machine by installing the mounting post into the hopper mounting brackets. Secure with the ring pins and tighten the locking bolts. See Figure 3-8.



**FIGURE 3-8**

15. Install the hose from the blower assembly adapter to the hopper hood and secure using the 6-1/2" clamps.
16. Install the bag assemblies.
17. Using the weight support bar as a guide, identify the four corresponding mounting holes, and the existing hardware that will need to be removed in order to secure the weight support bar to the front of the machine as shown. See Figure 3-9.
18. Install one 7/16-14 x 1-3/4" hex head bolt into each of the four mounting holes in the weight support bar, and through the matching holes in the caster support weldment. Secure this assembly to the front of the machine using the 7/16- .5" x 1-1/4" x .083" flatwashers, and the 7/16-14 elastic stop nuts. Torque hardware to 59 ft. lbs. See Figure 3-9.

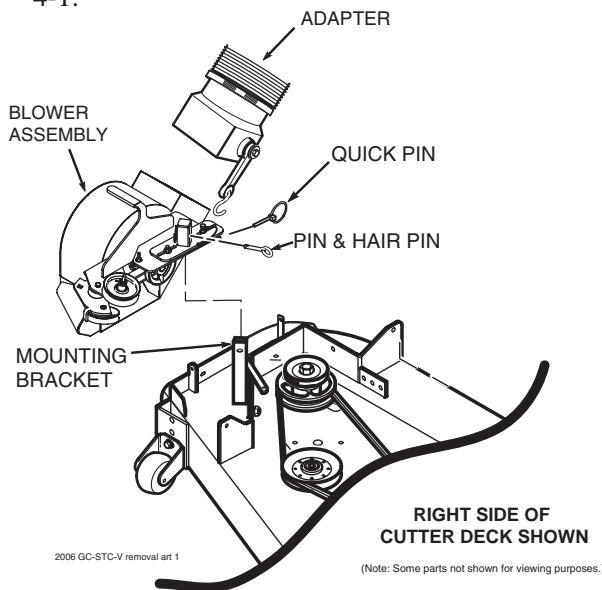


**FIGURE 3-9**

19. Operate and test.

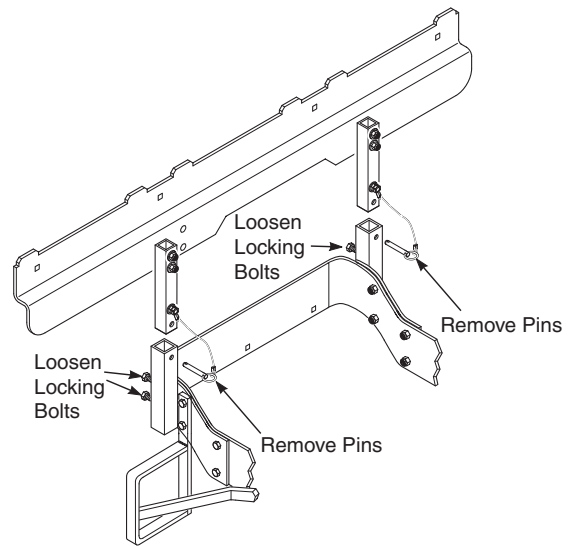
## 4.1 GRASS CATCHER REMOVAL INSTRUCTIONS

1. Prepare the machine so there is easy and safe access to the work area. Remove the key and maintain all safety related work procedures. Always wear eye and hand protection.
2. Remove the bag assemblies from the grass catcher.
3. Remove the rubber strap holding the adapter to the blower assembly and the large quick pin securing the blower to the discharge mounting bracket. See Figure 4-1.
4. Remove the belt, pin, hair pin and large quick pin securing the blower assembly to the cutter deck and remove the blower assembly. See Figure 4-1.



**FIGURE 4-1**

5. Loosen the locking bolts and remove the two (2) pins holding the hood assembly to the mounting posts on the rear of the machine. See Figure 4-2.



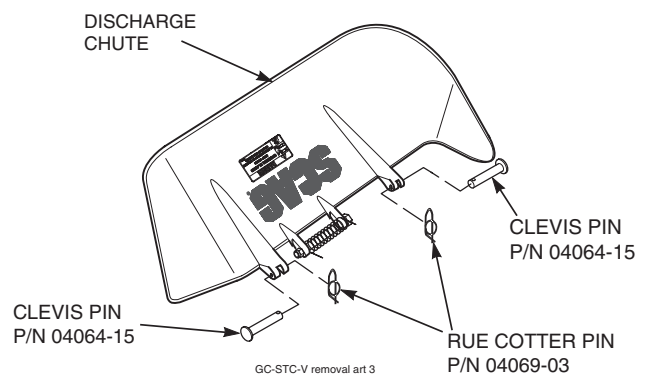
**FIGURE 4-2**

6. With help from an assistant, remove the hood assembly.

**! WARNING**

DO NOT OPERATE WITHOUT DISCHARGE CHUTE, MULCHING KIT, OR ENTIRE GRASS CATCHER INSTALLED

7. Re-install the side discharge chute to the opening on the cutter deck. Replace the two outside mounting bolts on the discharge chute with the clevis pins (p/n 04064-15) and rue cotter pins (p/n 04069-03). See Figure 4-3.
8. Re-install the cutter deck belt cover.



**FIGURE 4-3**

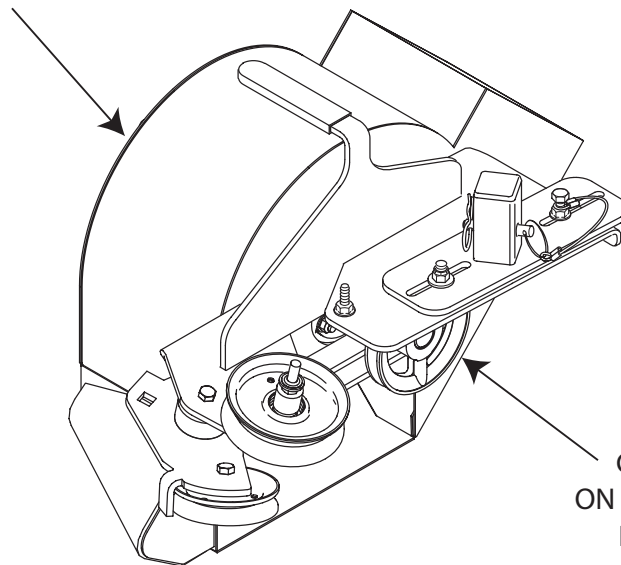
## MAINTENANCE

### 5.1 MAINTENANCE CHART - RECOMMENDED SERVICE INTERVALS

Break-In (First 10)	HOURS						Procedure	Comments
	8	20	40	100	200	500		
X							Check all hardware for tightness	
X							Inspect hose and adapter	
X							Check belt for proper alignment	
X							Inspect fabric bags	
	X						*Check screen in hopper	Remove debris from screen
	X						Inspect hose and adapter	
	X						Inspect fabric bags	
	X						Check condition of blower	
	X						*Apply grease to blower bearings	See figure below
		X					Check belt for proper alignment	

\* Perform these maintenance procedures more frequently under extreme dusty or dirty conditions.

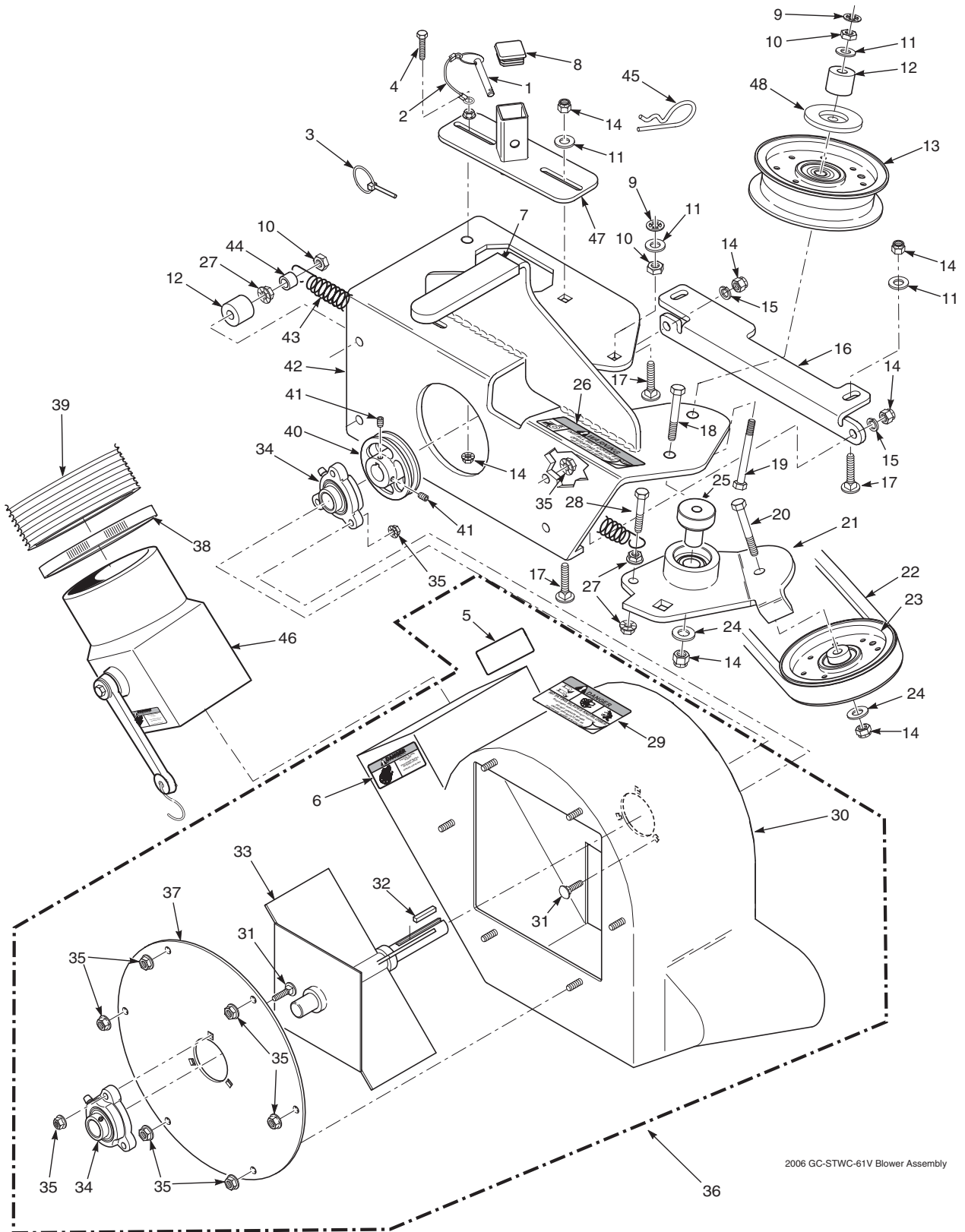
GREASE FITTING  
ON BEARING HOUSING



GREASE FITTING  
ON BEARING HOUSING  
BEHIND PULLEY

**NOTES**

## GC-STWC-61V BLOWER HOUSING ASSEMBLY

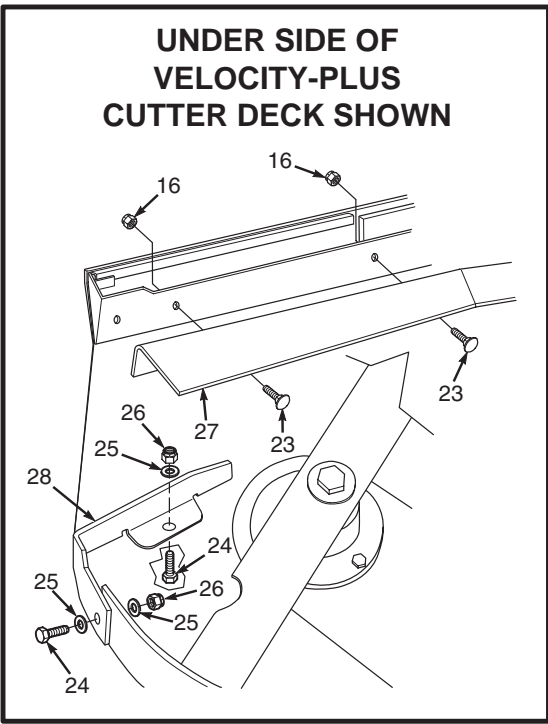
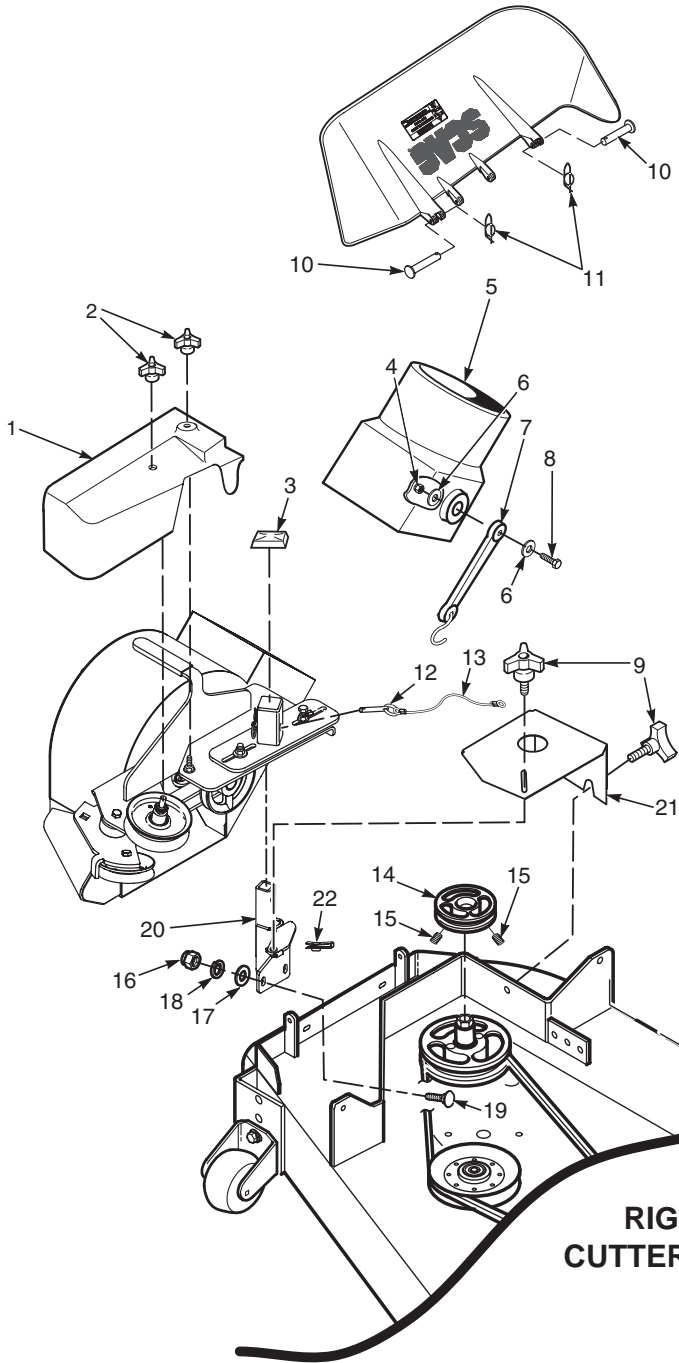


2006 GC-STWC-61V Blower Assembly

## GC-STWC-61V BLOWER HOUSING ASSEMBLY

Ref. No.	Part Number	Description	Ref. No.	Part Number	Description
1	04067-10	Pin, Ring 2-1/4" Long	27	04019-04	Nut, Serr. Flange 3/8-16
2	481547	Lanyard, Deck Height Pin	28	04001-136	Bolt, Hex Head 3/8-16 x 1-1/2 Gr. 8
3	04066-04	Quick Pin, 5/16" Dia.	29	483391	Decal, Danger
4	04001-21	Bolt, Hex Head 3/8-16 x 1-3/4"	30	461931	Blower Housing Weldment
5	483392	Decal, Blower	31	04003-12	Bolt, Carr. 5/16-18 x 3/4" Gr. 5
6	483393	Decal, Rotating Blower	32	04063-06	Key, 1/4 x 1/4 x 1-1/2"
7	481428	Grip, Blower Lever	33	461796	Fan Weldment
8	483223	Cap, Square	34	483034	Bearing Assembly
9	04024-02	Nut, Push On 3/8 Thread	35	04019-03	Nut, Serr. Flange 5/16-18
10	04021-05	Lock Nut, 3/8-16	36	461930	Blower Housing Assembly, GC-STT
11	04041-07	Flatwasher, 3/8-.391 x .938 x .105	37	421319	Cover, Blower Housing
12	43277	Spacer	38	48136-02	Clamp, 8-5/8" Max Dia.
13	483209	Pulley, Idler 4" Dia.	39	48135-14	Hose, 8.00" Dia. x 60.50" Long
14	04021-09	Nut, Elastic Stop 3/8-16	40	482298	Pulley, 4-3/4" O.D. - 1" Bore
15	04030-04	Lockwasher, 3/8-16	41	04012-04	Set Screw, 5/16-18 x 3/8"
16	424361	Plate, Catcher Mounting	42	461932	Frame, Blower Mount
17	04003-05	Bolt, Carr. 3/8-16 x 1-1/2"	43	481522	Spring, Main Drive
18	04001-46	Bolt, Hex Head 3/8-16 x 2-1/4"	44	43212	Spacer
19	04001-81	Bolt, Hex Head 3/8-16 x 3-1/2"	45	04062-04	Hair Pin Cotter, .177 x 3-1/4"
20	04001-21	Bolt, Hex Head 3/8-16 x 1-3/4"	46	461723	Adapter w/Strap
21	461928	Idler Arm Assembly	47	451821	Receiver Weldment, Mounting Post
22	483182	Belt, GC-STC	48	424367	Dust Shield
23	483189	Pulley, 3-1/2" O.D., GC-STC			
24	04043-04	Washer, 3/8 Hardened			
25	43575	Pivot, Idler			
26	483402	Decal, Belt Cover			

## GC-STWC-61V" BLOWER MOUNTING COMPONENTS



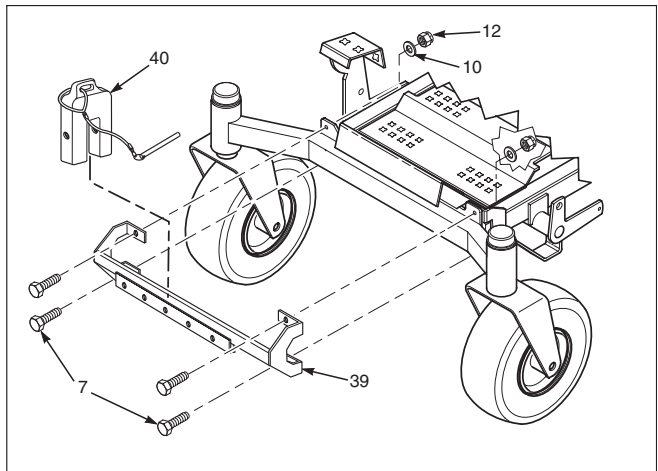
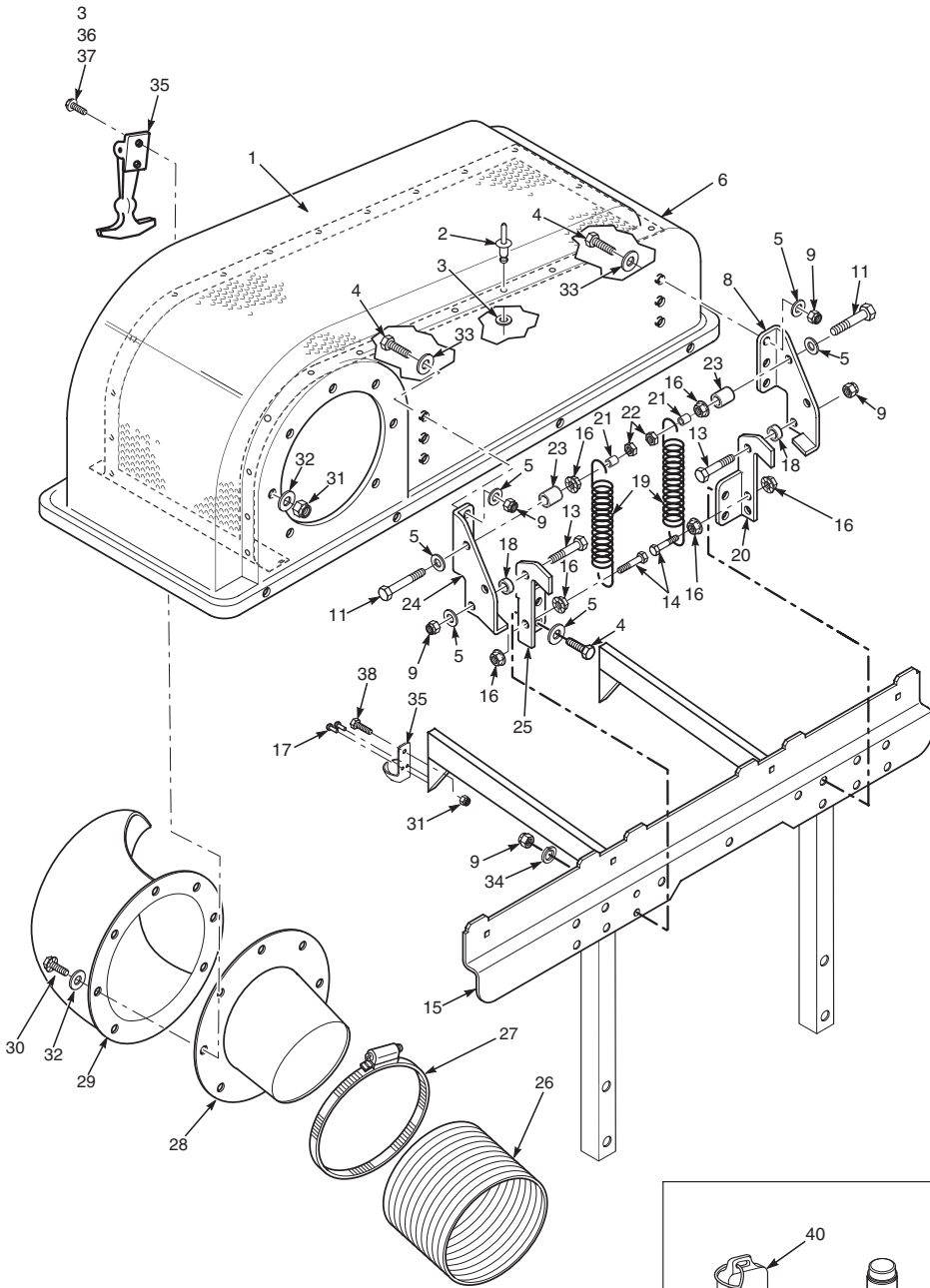
**RIGHT SIDE OF CUTTER DECK SHOWN**

2006 GC-STC-V BMC

**GC-STWC-61V" BLOWER MOUNTING COMPONENTS**

<b>Ref. No.</b>	<b>Part Number</b>	<b>Description</b>
1	483227	Belt Cover, GC-61V
2	04029-04	Wingnut, Plastic 3/8" Small
3	483223	Cap, Square Vinyl
4	04021-08	Nut, Elastic Stop 1/4-20
5	461723	Adapter, Blower GC-STC, includes item #7
6	04040-14	Flatwasher, 1/4-.312 x .750 x .065
7	48137-04	Rubber Strap 7-3/4"
8	04001-59	Bolt, Hex Head 1/4-20 x 1-1/4"
9	481625-01	Knob W/Stud, 3/8-16 x 1-1/4"
10	04064-15	Clevis Pin, 5/16 x 1-1/2"
11	04069-03	Pin, Rue Cotter 5/16 Dia.
12	04067-10	Pin, Ring 1/2 x 2-1/4"
13	481547	Lanyard
14	482377	Pulley, 5-1/2" Dia. 1.125 Bore
15	04012-04	Setscrew, 5/16-18 x 3/8"
16	04021-09	Nut, Elastic Stop 3/8-16
17	04030-04	Lockwasher, 3/8"
18	04041-07	Flatwasher, 3/8-.391 x .938 x .105
19	04003-11	Bolt, Carr. 3/8-16 x 1-1/4" Grade 5
20	461894	Mounting Post Weldment, Blower
21	424328	Belt Cover, GC-61V
22	04110-03	U-Nut
23	04003-23	Bolt, Carriage 3/8-16 x 1"
24	04001-09	Bolt, Hex Head 5/16-18 x 1"
25	04040-15	Flatwasher, 5/16-.375 x .875 x .083
26	04021-10	Nut, Elastic Stop 5/16-18
27	424403	Baffle, Front 61" Deck
28	424212	Baffle, Turbo 61" Deck

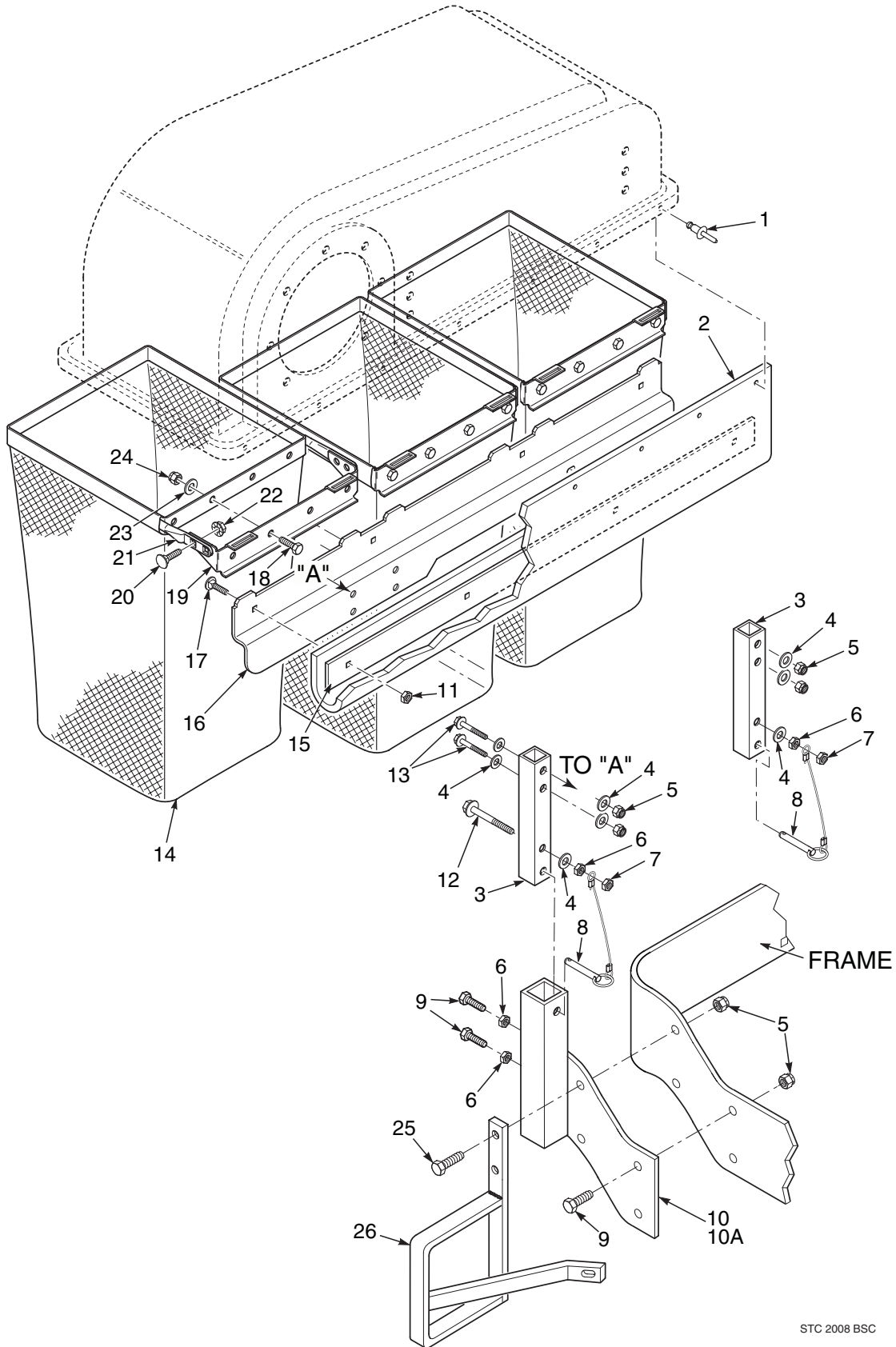
## GC-STWC-61V BUCKET SUPPORT COMPONENTS (UPPER)



## GC-STWC-61V BUCKET SUPPORT COMPONENTS (UPPER)

Ref. No.	Part Number	Description
1	423302	Screen, Catcher Hood
2	04090-02	Pop Rivet, 3/16 x .652
3	04041-19	Flatwasher, 3/16-.196 x .469 x .048
4	04001-32	Bolt, Hex Head 3/8-16 x 1-1/4"
5	04041-01	Flatwasher, 3/8-.391 x .938 x .105
6	461408	Hood Assembly, GC-STT (includes items 1, 2 & 3 and items 2 & 15 on page 15)
7	04001-117	Bolt, Hex Head 7/16-14 x 1-3/4"
8	423258	Hinge, Upper LH
9	04021-09	Nut, Elastic Stop 3/8-16
10	04040-11	Flatwasher, 7/16-.500 x 1-1/4"
11	04001-46	Bolt, Hex Head 3/8-16 x 2-1/4"
12	04021-11	Nut, Elastic Stop 7/16-14
13	04001-20	Bolt, Hex Head 3/8-16 x 1-1/2"
14	04001-135	Bolt, Hex Head 3/8-16 x 1-3/4" Grade 8
15	451674	Support Weldment, Bag Frame
16	04019-04	Nut, Serrated Flange 3/8-16
17	04090-03	Rivet, 3/16 x .402 POP
18	43546	Bushing, Hopper Pivot
19	482304	Spring, Hood Hinge
20	423436	Hinge, Lower LH
21	43212	Spacer
22	04021-05	Locknut, 3/8-16
23	43277	Spacer
24	423259	Hinge, Upper RH
25	423261	Hinge, Lower RH
26	48135-14	Hose, 8" Dia. x 60-1/2"
27	48136-02	Clamp, 8-5/8" Max Dia.
28	482422	Tube, Filler
29	482421	Elbow
30	04001-10	Bolt, Hex Head 5/16-18 x 1-1/4"
31	04021-10	Nut, Elastic Stop 5/16-18
32	04040-15	Flatwasher, 5/16-.375 x .875 x .083
33	04041-11	Flatwasher, 3/8-.406 x 1-1/2" x .179
34	04030-04	Lockwasher, 3/8" Spring
35	482409	Latch
36	04010-25	Screw, #10-32 x 3/4"
37	04021-01	Nut, Elastic Stop #10-32
38	04001-08	Bolt, Hex Head 5/16-18 x 3/4"
39	451517	Support Weldment, Weights
40	461097	Weight Assembly

## GC-STWC-61V BUCKET SUPPORT COMPONENTS (LOWER)



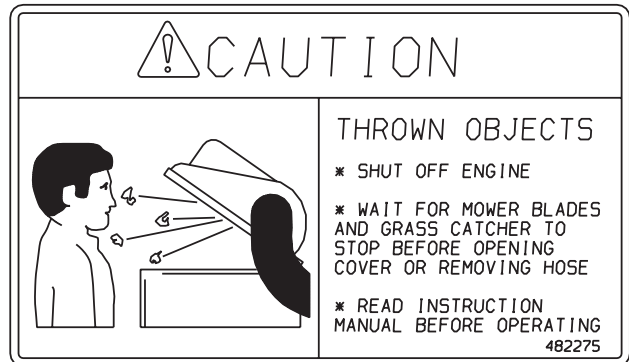
**GC-STWC-61 BUCKET SUPPORT COMPONENTS (LOWER)**

<b>Ref. No.</b>	<b>Part Number</b>	<b>Description</b>
1	04090-02	Pop Rivet, 3/16 x .652
2	482321	Seal, Hood
3	423262	Tube, Upright
4	04041-07	Flatwasher, 3/8-.391 x .938 x .105
5	04021-09	Nut, Elastic Stop 3/8-16
6	04020-04	Nut, 3/8-16
7	04021-05	Hex Lock Nut, 3/8-16
8	04067-07	Pin, Ring 1/2 x 2-1/4"
9	04001-19	Bolt, Hex Head 3/8-16 x 1"
10	461995	Mounting Bracket Weldment RH
10A	461994	Mounting Bracket Weldment LH
11	04021-02	Lock Nut, 1/4-20 Center
12	04001-46	Bolt, Hex Head 3/8-16 x 2-1/4"
13	04001-31	Bolt, Hex Head 3/8-16 x 2-1/2"
14	482569	Bag Assembly, GC-STT
15	423312	Retainer, Seal
16	451674	Support, Bag Frame
17	04003-02	Bolt, Carr. 1/4-20 x 3/4"
18	04001-08	Bolt, Hex Head 5/16-18 x 3/4"
19	423198	Mount, Bag Frame Tube
20	04003-12	Bolt, Carr. 5/16-18 x 3/4"
21	423197	Tube, Bag Support
22	04019-03	Nut, Serr. Flange 5/16-18
23	04040-15	Flatwasher, 5/16-.375 x .875 x .083
24	04021-10	Nut, Elastic Stop 5/16-18
25	04001-32	Bolt, Hex Head 3/8-16 x 1-1/4"
26	451969	Muffler Guard

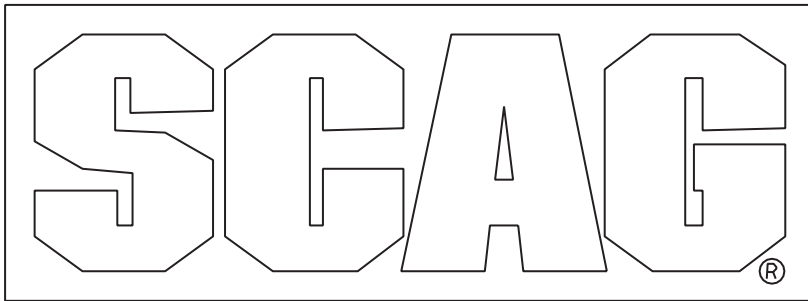
## GC-STWC-V DECALS



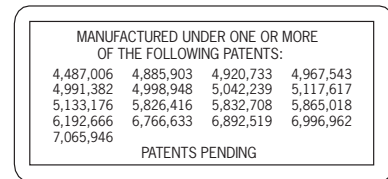
483402



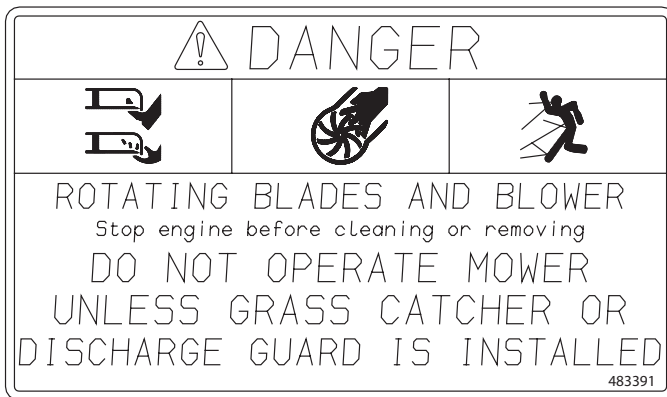
482275



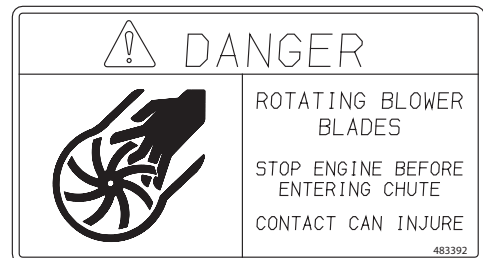
481327



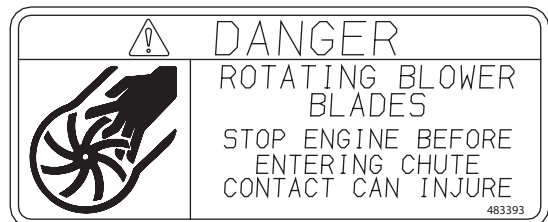
483044



483391



483392



483393

## LIMITED WARRANTY- COMMERCIAL ACCESSORY

---

Any part of the Scag commercial accessory manufactured by Scag and found, in the reasonable judgment of Scag, to be defective in material or workmanship, will be repaired or replaced by an Authorized Scag Service Dealer without charge for parts and labor.

The Scag accessory, including any defective part, must be returned to an Authorized Scag Service Dealer within the warranty period. The expense of delivering the accessory to the dealer for warranty work and the expense of returning it back to the owner after repair or replacement will be paid for by the owner. Scag's responsibility in respect to claims is limited to making the required repairs or replacements, and no claim of breach of warranty shall be cause for cancellation or rescission of the contract of sale of any Scag machine. Proof of purchase will be required by the dealer to substantiate any warranty claim. All warranty work must be performed by an Authorized Scag Service Dealer.

The warranty for the blower assembly (excluding the belt) is limited to 1-year from the date of original retail purchase. 90 Days for rental use.

This warranty is limited to 90 days from the date of original retail purchase for any Scag accessory that is used for commercial purposes, or any other income-producing purpose including rental use.

This warranty does not cover any accessory that has been subject to misuse, neglect, negligence, or accident, or that has been operated in any way contrary to the operating instructions as specified in the Operator's Manual. The warranty does not apply to any damage to the accessory that is the result of improper maintenance, or to any accessory or parts that have not been assembled or installed as specified in the Operator's Manual.

The warranty does not cover any accessory that has been altered or modified. In addition, the warranty does not extend to repairs made necessary by normal wear, or by the use of parts or accessories which, in the reasonable judgment of Scag, are either incompatible with the Scag mower or adversely affect its operation, performance or durability. This warranty does not cover engines and electric starters, which are warranted separately by their manufacturer.

Scag Power Equipment reserves the right to change or improve the design of any accessory without assuming any obligation to modify any accessory previously manufactured.

All other implied warranties are limited in duration to the 90 day warranty period. Accordingly, any such implied warranties including merchantability, fitness for a particular purpose, or otherwise, are disclaimed in their entirety after the expiration of the appropriate ninety day warranty period. Scag's obligation under this warranty is strictly and exclusively limited to the repair or replacement of defective parts and Scag does not assume or authorize anyone to assume for them any other obligation. Some states do not allow limitations on how long an implied warranty lasts, so the above limitation may not apply to you.

Scag assumes no responsibility for incidental, consequential or other damages including, but not limited to, expense for gasoline, oil, expense of delivering the machine to an Authorized Scag Service Dealer and expense of returning it back to the owner, mechanic's travel time, telephone or telegram charges, rental of a like product during the time warranty repairs are being performed, travel, loss or damage to personal property, loss of revenue, loss of use of the mower, loss of time, or inconvenience. Some states do not allow the exclusion or limitation of incidental or consequential damages, so the above limitation or exclusion may not apply to you.

This warranty gives you specific legal rights, and you may also have other rights which vary from state to state.

© 2007  
SCAG POWER EQUIPMENT  
DIVISION OF METALCRAFT OF MAYVILLE, INC.  
WWW.SCAG.COM

PART NO. 03230  
PRINTED 3-2007  
PRINTED IN USA