

SCAG[®]

TECHNICAL MANUAL SCAG GRASS CATCHER

MODEL GCV-44/5A

INTRODUCTION

This manual has been prepared to provide the information you need to correctly assemble, operate and maintain this attachment. Read it carefully and keep it for future reference. Should you ever need repair parts or service, contact your Scag authorized parts and service dealer.

To avoid personal injury, it is imperative that all safety precautions be observed.

Any reference made in this manual concerning the right or left-hand sides are determined with the operator in the normal operating position.

The replacement of any part on this product by other than the manufacturer's authorized replacement part may adversely affect the performance, durability or safety of this product.

Woven fabric, even with normal use, is subject to deterioration and/ or wear. The manufacturer recommends that the bag be checked frequently, and , if necessary, that the bag be replaced. Any replacement bag should comply with original manufacturer specifications.

The manufacturer reserves the right to make changes on or add improvements to, its product at any time without prior notice or obligation. The manufacturer also reserves the right to decide, upon its discretion and at any time, to discontinue a product.

SAFETY INSTRUCTIONS

1. Read this technical manual and the technical manual that is supplied with the machine this attachment is used on. A replacement manual is available by sending complete model and serial number to:
Scag Power Equipment, Inc.
1000 Metalcraft Dr.
Mayville WI, 53050
2. When operating the mower without the grass catcher attachment, the discharge chute extension must be installed in the normal, full down position.
3. Never operate your mower without either the complete grass catcher or the discharge chute extension properly installed.
4. Before removing grass bucket, disengage mower drive, stop engine, on both the mower and auxiliary engine, and wait for all movement to stop.
5. Always turn engines off, remove key and wait for all movement to stop before servicing or cleaning the mower or grass catcher.
6. Do not modify or alter any component of the grass catcher attachment.
7. Do not allow anyone to ride on the grass catcher attachment or on the mower.

ASSEMBLY INSTRUCTIONS

NOTICE: Any reference to item numbers are referring to the item number that is shown on the illustrated parts breakdown on page 4. Use the illustrated parts list as a reference when following the assembly instructions.

CHUTE ASSEMBLY

1. Place the catcher boot (item 14) on the cutter deck. Firmly tap fully into place with front of boot snug against cutter deck front. Using the boot as a template, mark two hole locations on cutter deck. Drill holes, first using a 1/8" drill bit, then finish with a 13/32 drill bit.
2. Install boot using two 3/8-16 x 1" bolts, two 3/8" flat washers and two 3/8-16 wing nuts.

FRAME ASSEMBLY

1. Place main frame (item 32) on tractor.
2. Install one 3/8-16 x 2" bolt at rear of main frame (beneath tractor seat) with a 3/8" flat washer on top, secure loosely.
3. Install one 3/8-16 x 4 1/2" bolt and a 3/8" flat washers, through front of the frame and rider yoke - left hand side. Note that the main frame is placed under the rider yoke. Secure using a 3/8" flat washer, 3/8" lock washer and a 3/8-16 nut.
4. Bolt the ballast support plate (item 39) onto the main frame using two 3/8-16 x 2 1/2" bolts, two 3/8" flat washers and two 3/8-16 nuts.

NOTE: Older catcher frames may require a 13/32 bolt hole drilled through the main frame to bolt on the second bolt for the ballast support plate (item 39). Bolt the ballast support plate onto the main frame and use the support plate as a template for the second bolt hole. Use the bolt holes in the support plate that are located closet to the outer edge.

5. Place engine mounting frame (item 35) on main frame. Place the engine frame brace (item 44) on top of the engine frame at the bolt hole on the right side. Secure using two 3/8-16 x 4" bolts, four 3/8 x 1 1/2 x 7ga flat washers and two 3/8-16 nuts, secure loosely.
6. Remove the bolt securing the front of the winch assembly to the steering frame. Position the other end of the engine frame brace at the bolt hole and reconnect the winch mounting bolt using the 3/8-16 x 1 3/4" bolt supplied in the hardware package.
7. Fasten the front of the engine frame to the tractor yoke using a 3/8-16 x 3" bolt, a 3/8" flat washer, a 3/8" lock washer and a 3/8-16 nut.
8. Tighten the engine frame bolts and the center main frame mounting bolt.
9. Slide the bucket support frame (item 31) into the main frame. Secure using two 3/8-16 x 2 1/2" bolts, two 3/8" flat washers, two 3/8" lock washers and two 3/8-16 nuts.
10. Install the right hand bucket brace (item 28, the one with two holes near the top) on to the bucket frame using two 5/16-18 x 2" bolts, two 5/16" flat washers, two 5/16 lock washers and two 5/16-18 nuts.

12. Repeat with the left hand bucket brace (item 27).
 13. Install the two eyebolts (item 25) with two 5/16" lock washers and four 5/16-18 nuts - one on each side of the bucket braces.
 14. Install the two 3/8-16 x 2 1/4" hose support bolts with only the two 3/8" lock washers and two 3/8-16 nuts. Do not install hose support under nuts.
 15. Place hose support (item 21) over projecting bolts and secure with two 3/8-16 wing nuts.
 16. Install bucket (item 22) with the handles resting against the vertical braces and secure with the rubber strap (item 24)
 17. Install the hole in the bucket cover around the hose support at the bucket side of the hose support.
 18. Place cover over bucket, loop hold down ropes under bucket handles, then tie securely.
- NOTE:** Ropes must be tight enough to prevent cover from being blown off by air from the fan, but loose enough to allow removal without untying the ropes.
3. Mount the rear blower housing assembly (item 2) using four 5/16-24 x 1" fine thread bolts and four 5/16" lock washers into engine tapped holes.
 4. Install fan assembly (item 3) with key (item 5) and secure onto the crankshaft with a 3/8-24 x 2" fine thread bolt, a 3/8" lock washer and a 3/8" flat washer.
 5. Using a soft hammer, tap, then tighten the blower fan hub onto crankshaft.
 6. Install inlet adaptor (item 4) using six 5/16-18 wing nuts.
 7. The 8" inlet hose (item 16) should be cut to length as shown:

Cutter Deck	8" hose length
SM-72	37" (DO NOT CUT)
SM-61	29"
SM-52	28"
SM-48	26 3/4"
 8. Install the 8" inlet hose onto boot and inlet adaptor using two hose clamps. Make sure hose clears drive tire.
 9. Install the 6" outlet hose (item 18) onto the blower housing and hose support using two hose clamps.
 10. Install ballast (item 40) on left hand ballast support using two 3/8-16 x 5" bolts, four 3/8" flat washers and two 3/8-16 nuts.

BLOWER ASSEMBLY

1. Install the engine relocation plate supplied in catcher onto the engine support frame if you are installing the catcher on an STHM rider.
2. Mount engine (item 1) onto the engine plate using four 5/16-18 x 1 1/2" bolts, four 5/16" lock washers and four 5/16-18 nuts.

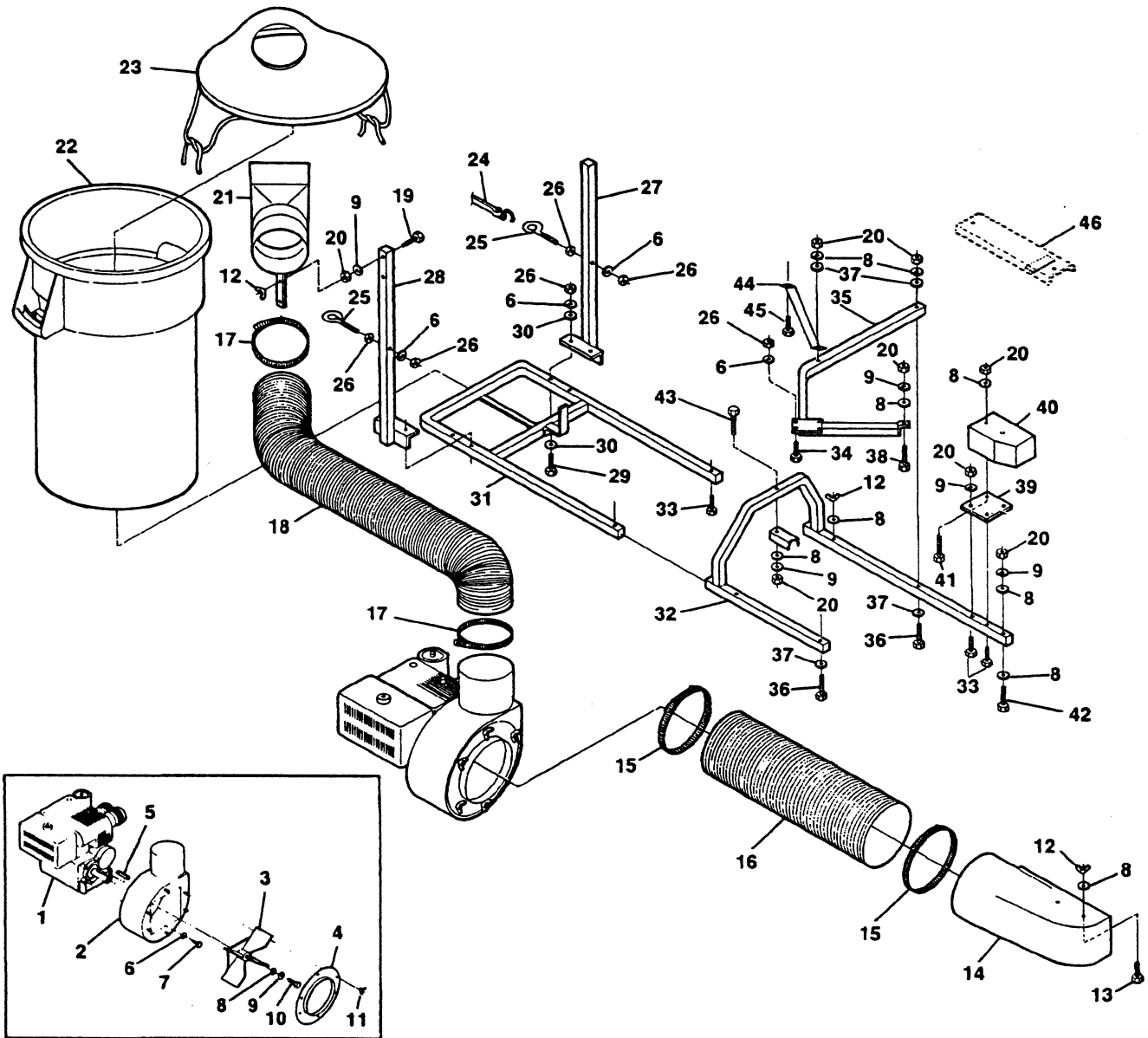
IMPORTANT

Properly service engine with oil and fuel. Note that this is a fixed throttle engine.

Never run mower blades with blower engine shut off. Boot will plug severely.

When cleaning out boot, always disengage
3 cutter drive belt and shut off mower engine.

GCV - 44/5A



GCV-44/5A PARTS LIST

Ref. No.	Part Number	Description
1	48173	Engine, 5 HP I.C. (1" Crankshaft)
2	45080	Blower Housing Assembly
3	45077	Fan Assembly (1" Bore)
4	45081	Inlet Adaptor
5	04063-06	Key 1/4 x 1/4 x 1-1/2" (for 1" crankshaft only)
5	46162	Key and bushing kit (used on 3/4" crankshaft)
6	*	Lockwasher, 5/16
7	04001-56	Bolt, 5/16-24 x 1"
8	*	Washer, 3/8
9	*	Lockwasher, 3/8
10	*	Bolt, 3/8-24 x 2"
11	04022-02	Wing Nut, 5/16-18
12	04022-04	Wing Nut, 3/8-16
13	*	Bolt, 3/8-16 x 1"
14	48132	Boot
15	48136-02	Clamp 8"
16	48135-03	Hose 8"
17	48136-01	Clamp 6"
18	48135-01	Hose 6"
19	*	Bolt, 3/8-16 x 2 1/4"
20	*	Nut, 3/8-16
21	45042	Hose Support
22	48133	Bucket
23	48134	Bucket Cover
24	48137	Rubber Strap
25	04070-04	Eyebolt, 5/16-18 x 2-3/4"
26	*	Nut, 5/16-18
27	45041	Bucket Brace-LH
28	45043	Bucket Brace-RH
29	*	Bolt, 5/16-18 x 2"
30	*	Washer, 5/16
31	45039	Bucket Support Frame
32	45038	Main Frame
33	*	Bolt, 3/8-16 x 2-1/2"
34	*	Bolt, 5/16-18 x 1-1/2"
35	45040	Engine Mounting Frame
36	*	Bolt, 3/8-16 x 4"
37	04041-11	Washer, 3/8 x 1-1/2 x 7 ga.
38	*	Bolt, 3/8-16 x 3
39	42130	Ballast Support
40	42134	Ballast
41	*	Bolt, 3/8-16 x 5"
42	*	Bolt, 3/8-16 x 4-1/2"
43	*	Bolt, 3/8-16 x 2"
44	42932	Engine Frame Brace
45	*	Bolt, 3/8-16 x 1 3/4"
46	45136	Frame extension for adapting GCV - 44/5A to mount on STH-13KH, STH-13BV (must be ordered separately)

* Common hardware which should be purchased locally. All bolts Grade 5 plated, all other fasteners zinc plated.

WARNING

If incorrectly used, this machine can cause severe injury. Those who use and maintain the machine should be trained in its proper use, warned of its dangers, and should read the entire manual before attempting to set up, operate, adjust or service the machine.

LIMITED WARRANTY-COMMERCIAL EQUIPMENT

Any part of the Scag commercial catcher manufactured by Scag and found, in the reasonable judgment of Scag, to be defective in material or workmanship, will be repaired or replaced by an Authorized Scag Service Dealer without charge for parts and labor.

The Scag machine including any defective part must be returned to an Authorized Scag Service Dealer within the warranty period. The expense of delivering the machine to the dealer for warranty work and the expense of returning it back to the owner after repair or replacement will be paid for by the owner. Scag's responsibility in respect to claims is limited to making the required repairs or replacements, and no claim of breach of warranty shall be cause for cancellation or rescission of the contract of sale of any Scag machine. Proof of purchase will be required by the dealer to substantiate any warranty claim. All warranty work must be performed by an Authorized Scag Service Dealer.

This warranty is limited to one year from the date of original retail purchase for any Scag catcher that is used for commercial purposes, or any other income-producing purpose (90 days for rental use).

This warranty does not cover any catcher that has been subject to misuse, neglect, negligence, or accident, or that has been operated in any way contrary to the operating instructions as specified in the Technical Manual. The warranty does not apply to any damage to the catcher that is the result of improper maintenance, or to any catcher or parts that have not been assembled or installed as specified in the Technical Manual.

The warranty does not cover any catcher that has been altered or modified. In addition, the warranty does not extend to repairs made necessary by normal wear, or by the use of parts or accessories which, in the reasonable judgment of Scag, are either incompatible with the Scag mower or adversely affect its operation, performance or durability. This warranty does not cover engines and electric starters, which are warranted separately by their manufacturer.

Scag Power Equipment reserves the right to change or improve the design of any machine without assuming any obligation to modify any mower previously manufactured.

All other implied warranties are limited in duration to the one (1) year warranty period or ninety (90) days for catchers used for rental purpose. Accordingly, any such implied warranties including merchantability, fitness for a particular purpose, or otherwise, are disclaimed in their entirety after the expiration of the appropriate one-year or ninety day warranty period. Scag's obligation under this warranty is strictly and exclusively limited to the repair or replacement of defective parts and Scag does not assume or authorize anyone to assume for them any other obligation. Some states do not allow limitations on how long an implied warranty lasts, so the above limitation may not apply to you.

Scag assumes no responsibility for incidental, consequential or other damages including, but not limited to, expense for gasoline, expense of delivering the machine to an Authorized Scag Service Dealer and expense of returning it back to the owner, mechanic's travel time, telephone or telegram charges, rental of a like product during the time warranty repairs are being performed, travel, loss or damage to personal property, loss of revenue, loss of use of the mower, loss of time or inconvenience. Some states do not allow the exclusion or limitation of incidental or consequential damages. So the above limitation or exclusion may not apply to you.

This warranty gives you specific legal rights, and you may also have other rights which vary from state to state.

PLEASE BE CAREFUL

1. Keep all shields in place, especially grass discharge guard.
2. Stop machine and remove spark plug wire to adjust or service.
3. When mechanism becomes clogged, stop engine before cleaning.
4. Keep hands, feet and clothing away from power-driven parts.
5. Keep off implement unless seat or platform is provided.
6. Keep others off of the tractor (only one person at a time).

REMEMBER - YOUR MOWER IS ONLY AS SAFE AS THE OPERATOR!

FAILURE TO FOLLOW CAUTIOUS OPERATING PRACTICES MAY RESULT IN SERIOUS BODILY INJURY. BESIDES, WE WOULD LIKE YOU TO CONTINUE TO ENJOY AND PROFIT BY USING OUR PRODUCTS.

OWNER REFERENCE

TRACTOR MODEL _____

TRACTOR SERIAL NUMBER _____

CATCHER MODEL _____

CATCHER SERIAL NUMBER _____