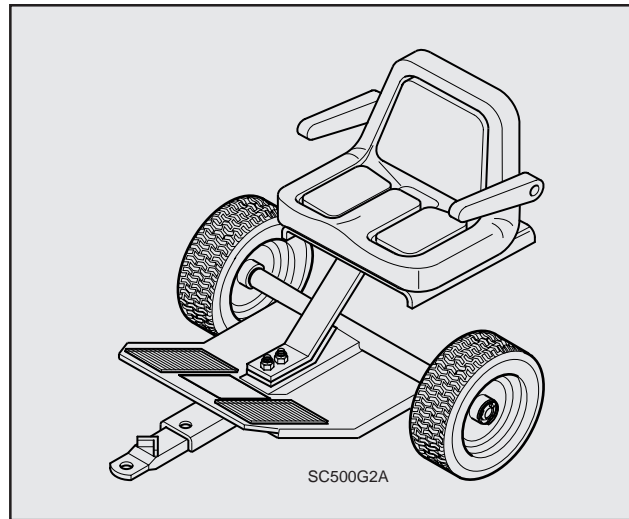


SCAG[®]

POWER EQUIPMENT



MODEL RS-2



THIS MANUAL CONTAINS THE OPERATING INSTRUCTIONS AND SAFETY INFORMATION FOR YOUR SCAG ACCESSORY. READING THIS MANUAL CAN PROVIDE YOU WITH ASSISTANCE IN MAINTENANCE AND ADJUSTMENT PROCEDURES TO KEEP YOUR ACCESSORY PERFORMING TO MAXIMUM EFFICIENCY. THE SPECIFIC MODELS THAT THIS BOOK COVERS ARE CONTAINED ON THE INSIDE COVER. BEFORE OPERATING YOUR MACHINE, PLEASE READ ALL THE INFORMATION ENCLOSED.

OPERATOR'S MANUAL



WARNING

FAILURE TO FOLLOW SAFE OPERATING PRACTICES MAY RESULT IN SERIOUS INJURY.

- * Keep all safety shields in place.
- * Before performing any maintenance or service, stop the machine and remove the spark plug wire.
- * If a mechanism becomes clogged, stop the engine before cleaning.
- * Keep hands, feet and clothing away from power-driven parts.
- * Read this manual completely as well as the Operator's Manual that came with your mower.
- * Keep others off the tractor (only one person at a time).

REMEMBER - YOUR MOWER IS ONLY AS SAFE AS THE OPERATOR!

Hazard control and accident prevention are dependent upon the awareness, concern, prudence, and proper training of the personnel involved in the operation, transport, maintenance, and storage of the equipment.

This manual covers the operating instructions
and illustrated parts list for:

RS-2 with a serial number of 3680001-3689999

RS-2 with a serial number of 4600001-4609999

Always use the entire serial number listed on the serial number tag when referring to this product.



TABLE OF CONTENTS

SUBJECT	PAGE
Introduction	1
Safety and Operating Instructions	1
Assembly Instructions	2
Illustrated Parts List	3
Limited Warranty Statement	Inside Back Cover

INTRODUCTION

This manual has been prepared to provide the information you need to correctly assemble, operate and maintain this attachment. Read it carefully and keep it for future reference. Should you ever need repair parts or service, contact your authorized Scag Service Dealer.

Any reference made in this manual concerning the RH or LH sides are determined with the operator in the normal operating position.

The replacement of any part on this product by other than the manufacturer's authorized replacement part may adversely affect the performance, durability or safety of this product.

SAFETY AND OPERATING INSTRUCTIONS

To avoid personal injury, it is imperative that all safety instructions be observed.

Your sulky was built to the highest standards in the industry. However, the use of a riding sulky, when attached to a walk behind mower, is **only as safe as the operator**. Carelessness or error on the part of the operator may result in serious bodily injury. Please read and follow these instructions on safe operation, and be certain anyone using this sulky is familiar with these rules.

1. Read this technical manual and the technical manual that is supplied with the machine this attachment is used on. A replacement manual is available by sending complete model and serial number to:

Scag Power Equipment
1000 Metalcraft Dr.
P.O. Box 152
Mayville, WI 53050

2. Do not operate this sulky on steep slopes.
3. Do not run over rocks, holes or other obstructions that may make the sulky unstable.
4. Always keep both hands on the steering controls when using the mower with the sulky attached.
5. When operating the mower in reverse make certain that there are no obstructions behind you.
6. Have a first time operator practice driving the mower and sulky in an open, level area before operating under actual mowing conditions.
7. Before leaving the sulky seat:
 - Disengage the blade clutch
 - Engage both neutral locks
 - Put the transmission in neutral
 - Wait for all movement to stop

ASSEMBLY INSTRUCTIONS

-Note-

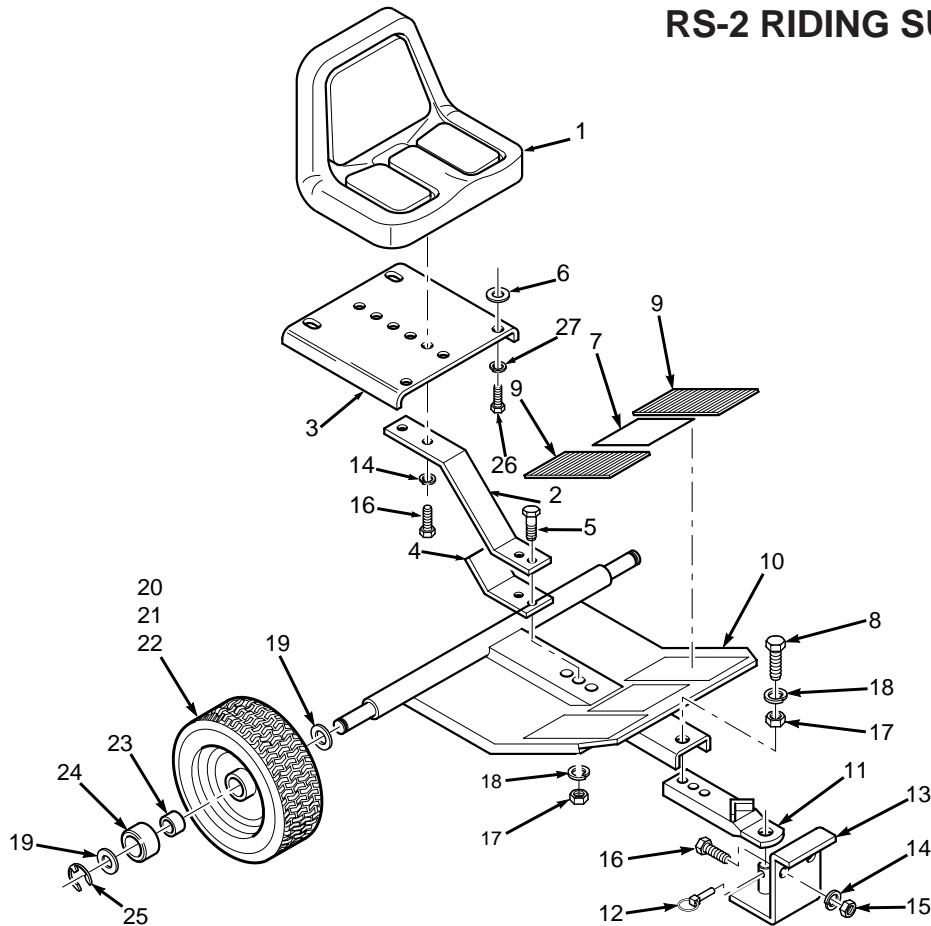
Before assembling and connecting this accessory to your machine, turn the engine off, remove the key, and remove the spark plug wire from the engine.

1. Remove all crating and packing materials. Lay out the mounting hardware according to the "where used" list on page 2.
2. Bolt the hitch bracket onto the rear of the engine deck using (2) two 3/8-16 x 1" bolts, (2) two 3/8-16 hex nuts and (2) two 3/8 lockwashers.
3. Mount the hitch extension weldment to the frame weldment using (2) two 7/16-14 x 1" bolts, (2) two 7/16-14 hex nuts and (2) two 7/16" lockwashers.
4. To mount the wheel assemblies onto the wheel spindles, place a 1" ID washer onto each of the wheel spindles. Mount the wheel assemblies onto the wheel spindles. Place a 1" ID washer onto the outside of the wheel assemblies, and secure in place using the "E" clip provided.
5. Mount the seat spring and the spring support to the sulky frame using (2) two 7/16-14 x 1-1/2" bolts, (2) two 7/16-14 hex nuts and (2) two 7/16" lockwashers.
6. Mount the seat onto the seat plate. Place (4) four 3/8-1.5" OD flat washers between the seat and the seat plate. Secure using (4) four 5/16-18 x 3/4" bolts and (4) four 5/16" lockwashers.
7. Mount the seat and seat plate assembly to the seat spring using (2) two 3/8-16 x 1" bolts and (2) two 3/8" lockwashers.

WHERE USED LIST

Part Number	Qty.	Description	Where Used
04001-08	4	Bolt, 5/16-18 x 3/4" Hex Head	(4) Seat Plate
04001-09	4	Bolt, 3/8-16 x 1"	(2) Hitch Bracket deck (2) Seat Plate to Spring
04001-27	2	Bolt, 7/16-14 x 1"	(2) Hitch Extension Mtg.
04001-58	2	Bolt, 7/16-14 x 1-1/2"	(2) Seat Spring Mtg.
04041-11	4	Washer, 3/8 x 1-1/2" OD	(4) Seat Plate
04042-05	4	Washer, 1.0" x 1-3/4" OD	(4) Wheel Mounting
04030-03	4	Lockwasher, 5/16"	(4) Seat To Plate
04030-04	4	Lockwasher, 3/8"	(2) Hitch Brkt. To Deck (2) Seat Plate To Spring
04030-05	4	Lockwasher, 7/16"	(2) Hitch Extension Mtg. (2) Seat Spring Mtg.
04020-04	2	Nut, 3/8-16	(2) Hitch Brkt. To Deck
04020-05	4	Nut, 7/16-14	(2) Hitch Extension Mtg. (2) Seat Spring Mtg.
04050-08	2	1" EXT. "E" Clip	(2) Wheel Mounting

RS-2 RIDING SULKY



SC500G2

REF. NO.	PART NO.	DESCRIPTION	REF. NO.	PART NO.	DESCRIPTION
1	48592-01	Seat assembly	15	04020-04	Hex nut 3/8-16
2	42321	Seat spring	16	04001-19	Hex head bolt 3/8-16 x 1"
3	45210	Seat mounting plate	17	04020-05	Hex nut 7/16-14
4	42322	Seat spring support	18	04030-05	Lockwasher 7/16" spring
5	04001-58	Hex head bolt 7/16-14 x 1-1/2"	19	04042-05	Washer 1" ID
6	04041-11	Washer 3/8, 1-1/2" OD	20	48260	Wheel assembly (incl.21-24)
7	48261	Decal	21	48260-02	Tire only
8	04001-27	Hex head bolt 7/16-14 x 1"	22	48260-03	Rim only
9	48262	Pad, non skid	23	48260-04	Bearing only
10	461153	Frame weldment	24	48260-05	Retaining cap
11	45124	Hitch extension weldment	25	04050-08	Retaining ring 1.0 ext. "E"
12	04066-01	Quick pin	26	04001-08	Hex head bolt 5/16-18 x 3/4"
13	45125	Hitch bracket	27	04030-03	Lockwasher 5/16"
14	04030-04	Lockwasher 3/8" spring			

-Note-

Some of the hardware is common hardware and you may purchase it locally. Be sure that all bolts purchased locally are a grade 5.

LIMITED WARRANTY- COMMERCIAL ACCESSORY

Any part of the Scag commercial accessory manufactured by Scag and found, in the reasonable judgment of Scag, to be defective in material or workmanship, will be repaired or replaced by an Authorized Scag Service Dealer without charge for parts and labor.

The Scag accessory, including any defective part, must be returned to an Authorized Scag Service Dealer within the warranty period. The expense of delivering the accessory to the dealer for warranty work and the expense of returning it back to the owner after repair or replacement will be paid for by the owner. Scag's responsibility in respect to claims is limited to making the required repairs or replacements, and no claim of breach of warranty shall be cause for cancellation or rescission of the contract of sale of any Scag machine. Proof of purchase will be required by the dealer to substantiate any warranty claim. All warranty work must be performed by an Authorized Scag Service Dealer.

This warranty is limited to 90 days from the date of original retail purchase for any Scag accessory that is used for commercial purposes, or any other income-producing purpose including rental use.

This warranty does not cover any accessory that has been subject to misuse, neglect, negligence, or accident, or that has been operated in any way contrary to the operating instructions as specified in the Operator's Manual. The warranty does not apply to any damage to the accessory that is the result of improper maintenance, or to any accessory or parts that have not been assembled or installed as specified in the Operator's Manual.

The warranty does not cover any accessory that has been altered or modified. In addition, the warranty does not extend to repairs made necessary by normal wear, or by the use of parts or accessories which, in the reasonable judgment of Scag, are either incompatible with the Scag mower or adversely affect its operation, performance or durability. This warranty does not cover engines and electric starters, which are warranted separately by their manufacturer.

Scag Power Equipment reserves the right to change or improve the design of any accessory without assuming any obligation to modify any accessory previously manufactured.

All other implied warranties are limited in duration to the 90 day warranty period. Accordingly, any such implied warranties including merchantability, fitness for a particular purpose, or otherwise, are disclaimed in their entirety after the expiration of the appropriate ninety day warranty period. Scag's obligation under this warranty is strictly and exclusively limited to the repair or replacement of defective parts and Scag does not assume or authorize anyone to assume for them any other obligation. Some states do not allow limitations on how long an implied warranty lasts, so the above limitation may not apply to you.

Scag assumes no responsibility for incidental, consequential or other damages including, but not limited to, expense for gasoline, oil, expense of delivering the machine to an Authorized Scag Service Dealer and expense of returning it back to the owner, mechanic's travel time, telephone or telegram charges, rental of a like product during the time warranty repairs are being performed, travel, loss or damage to personal property, loss of revenue, loss of use of the mower, loss of time, or inconvenience. Some states do not allow the exclusion or limitation of incidental or consequential damages, so the above limitation or exclusion may not apply to you.

This warranty gives you specific legal rights, and you may also have other rights which vary from state to state.

© 1999
SCAG POWER EQUIPMENT
DIVISION OF METALCRAFT OF MAYVILLE, INC

PART NO. 03041
PRINTED 2/99
PRINTED IN USA