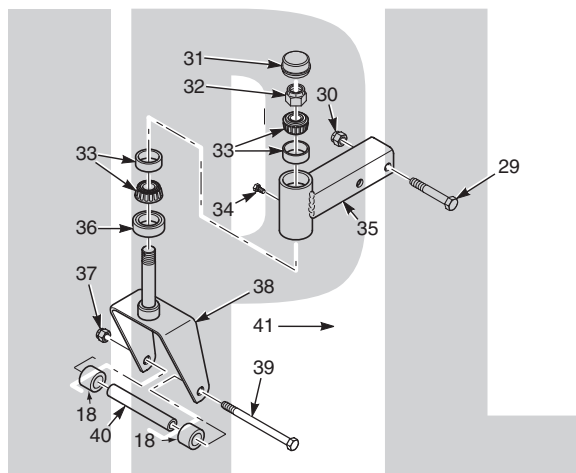


# SCAG<sup>®</sup>

## POWER EQUIPMENT



# ILLUSTRATED PARTS MANUAL



## Model SVR61 V-Ride

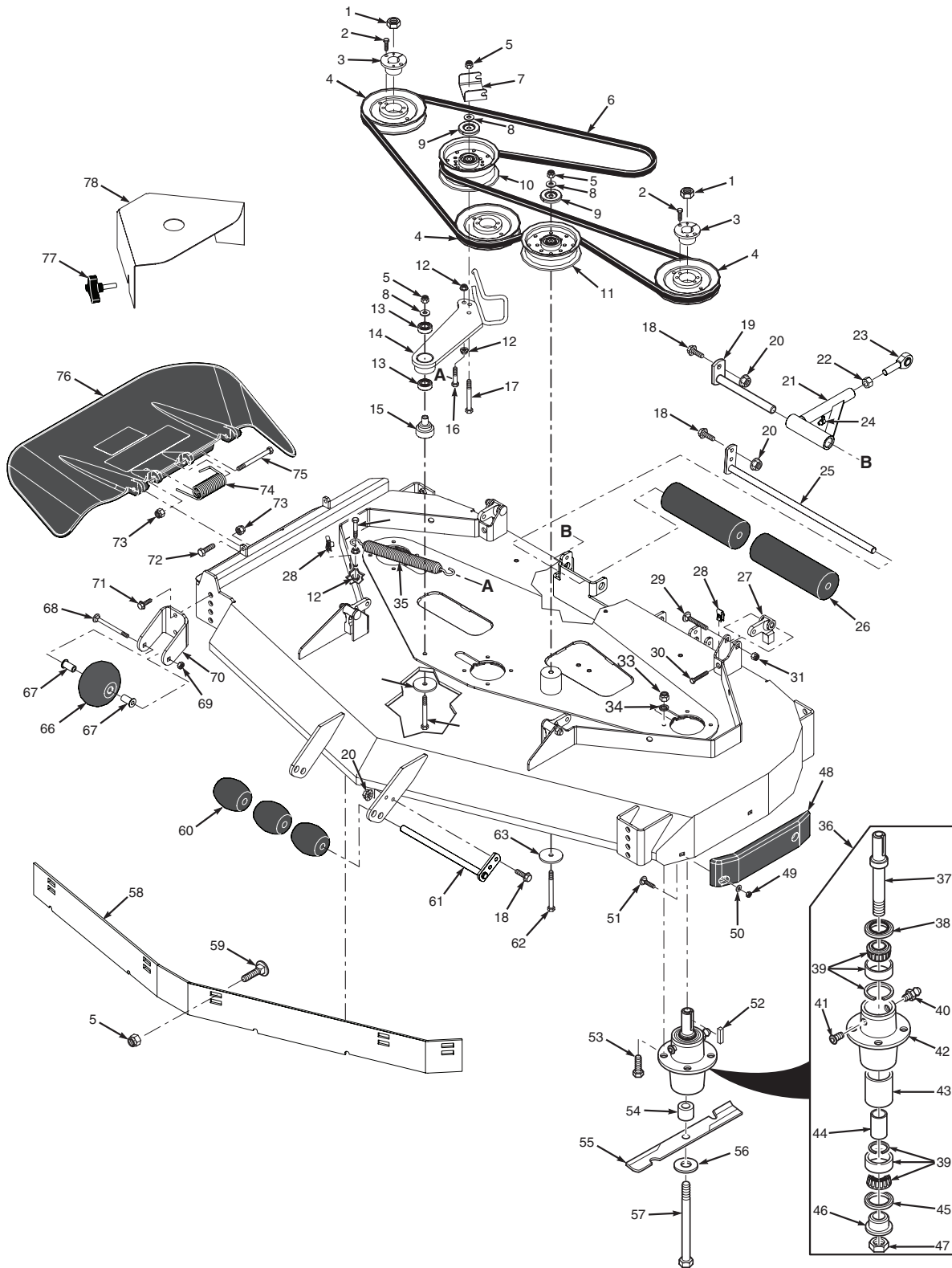
**THIS MANUAL CONTAINS THE ILLUSTRATED PARTS LIST FOR MODELS:  
SVR61V-29FX with a serial number of F2900001 to F2999999**



## Table of Contents

|   |    |
|---|----|
| 61V CUTTER DECK.....                            | 2  |
| SVR-61V CUTTER DECK CONTROLS .....              | 4  |
| SVR-61V SHEET METAL COMPONENTS .....            | 6  |
| STEERING CONTROLS AND FUEL COMPONENTS.....      | 8  |
| SVR-61VHYDRAULICS AND ENGINE COMPONENTS .....   | 10 |
| ELECTRICAL SYSTEM .....                         | 12 |
| REPLACEMENT DECALS AND INFORMATION PLATES ..... | 14 |
| SVR ELECTRICAL SCHEMATIC.....                   | 16 |

## 61V CUTTER DECK

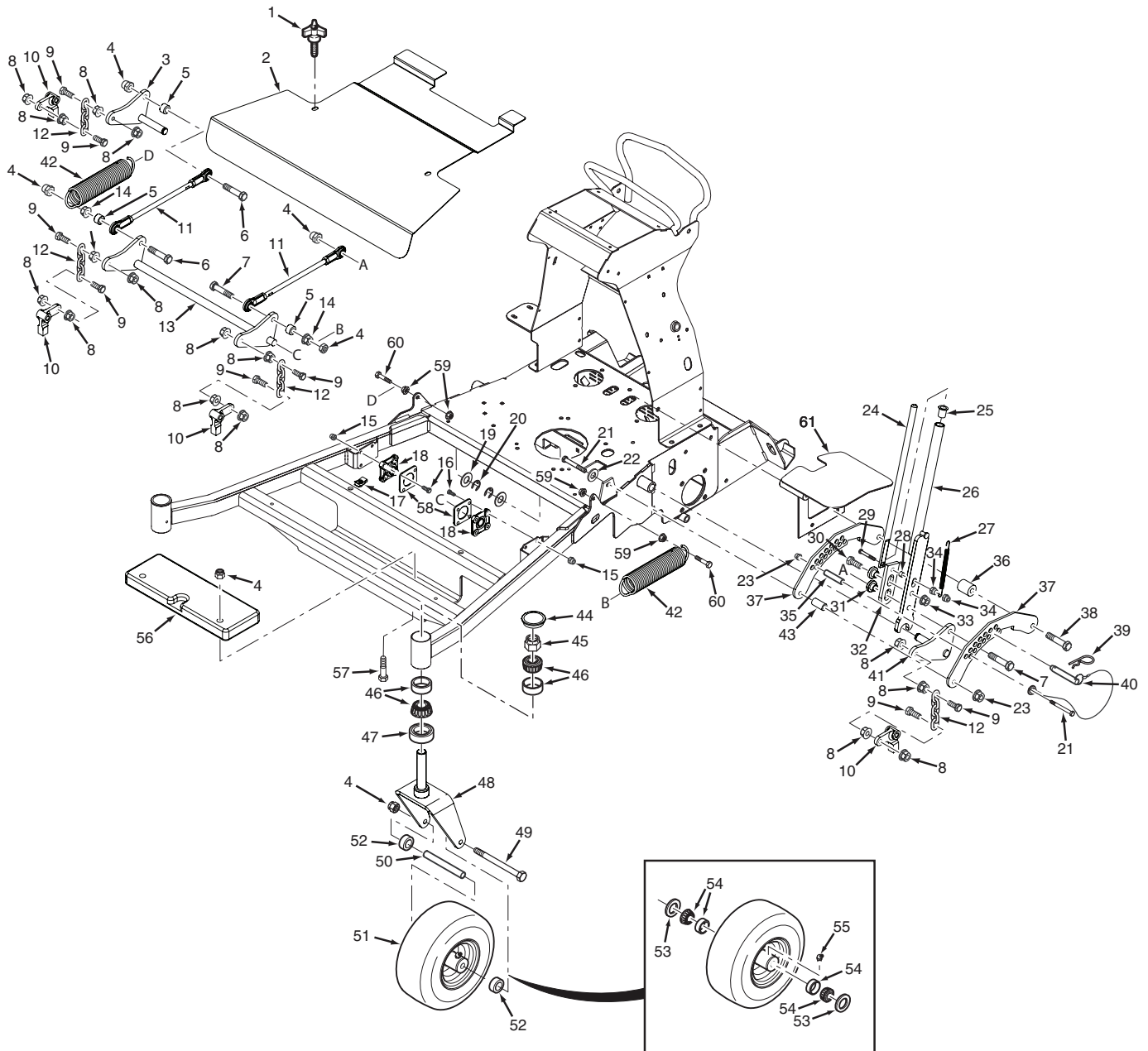


## 61V CUTTER DECK

| Ref. No. | Part No.  | Description                            |
|----------|-----------|--|
| 1        | 04020-09  | Nut, 5/8-11 UNC                        |
| 2        | 04001-172 | Bolt, Hex Head 1/4-20 x 1"             |
| 3        | 48926     | Tapered Hub                            |
| 4        | 483286    | Pulley, 6.32 O.D. (61V)                |
| 5        | 04021-09  | Nut, 3/8-16 Elastic Stop               |
| 6        | 484197    | Belt, Cutter Deck (61V)                |
| 7        | 424615    | Bracket, Belt Guide                    |
| 8        | 04043-04  | Flatwasher, 3/8-.391 x .938 x .105 HD  |
| 9        | 424367    | Dust Shield                            |
| 10       | 483210    | Pulley, 5" Idler                       |
| 11       | 483215    | Pulley, 5" Idler                       |
| 12       | 04019-04  | Nut, Serrated Flange 3/8-16            |
| 13       | 48224     | Bearing                                |
| 14       | 462333    | Idler Arm Assembly (incl. # 13)        |
| 15       | 43681     | Pivot, Idler                           |
| 16       | 04001-136 | Bolt, Hex Head 3/8-16 x 1-1/2" Grade 8 |
| 17       | 04001-62  | Bolt, Hex Head 3/8-16 x 3-1/4"         |
| 18       | 04001-09  | Bolt, Hex Head 5/16-18 x 1"            |
| 19       | 451724    | Shaft Weldment, Push Arm Mount         |
| 20       | 04019-03  | Nut, Serrated Flange 5/16-18           |
| 21       | 462323    | Pusharm Assembly, LH                   |
|          | 462324    | Pusharm Assembly, RH                   |
| 22       | 04020-16  | Nut, 5/8-18 UNF                        |
| 23       | 48763     | Rod End, Male 5/8"                     |
| 24       | 48114-08  | Grease Fitting                         |
| 25       | 452076    | Shaft Weldment                         |
| 26       | 483997    | Guide Roller                           |
| 27       | 483361    | Lever, Deck Level                      |
| 28       | 04110-03  | U-Nut, 3/8-16                          |
| 29       | 04003-42  | Bolt, Carriage 7/16-14                 |
| 30       | 04107-04  | Bolt, Hex Head 3/8-16 x 2" Special     |
| 31       | 04021-11  | Nut, Elastic Stop 7/16-14              |
| 32       | 462334    | Cutter Deck w/Decals                   |
| 33       | 04021-22  | Nut, Elastic Stop 5/16-18              |
| 34       | 04030-03  | Lockwasher, 5/16" Spring               |
| 35       | 484020    | Spring, Cutter Deck                    |
| 36       | 461663    | Spindle Assembly                       |
| 37       | 43589     | Shaft, Spindle                         |
| 38       | 481024    | Seal, Upper                            |
| 39       | 481022    | Bearing Assembly                       |
| 40       | 48114-04  | Grease Fitting                         |
| 41       | 48677     | Valve Grease Relief                    |
| 42       | 43644     | Housing, Spindle                       |
| 43       | 43312     | Spacer, Outside                        |
| 44       | 43296     | Spacer, Inside                         |

| Ref. No. | Part No.  | Description                                |
|----------|-----------|--|
| 45       | 481025    | Seal, Lower                                |
| 46       | 43297     | Bushing, Lower                             |
| 47       | 481035    | Nut, Special 1-1/16" - 18                  |
| 48       | 483176    | Pad, Deck Wear                             |
| 49       | 04021-04  | Nut, Center Lock 5/16-18                   |
| 50       | 04040-04  | Flatwasher, 5/16-.344 x .688 x .065        |
| 51       | 04003-12  | Bolt, Carriage 5/16-18 x 3/4"              |
| 52       | 04063-08  | Key, 1/4 x 1/4 x 1"                        |
| 53       | 04001-176 | Bolt, Hex Head 5/16-18 x 1-3/4"            |
| 54       | 43590     | Spacer, Spindle Bottom                     |
| 55       | 482881    | Cutter Blade, 21"                          |
| 56       | 04043-06  | Flatwasher, 5/8-.688 x 1.75 x .134 HD      |
| 57       | 04001-41  | Bolt, Hex Head 5/8-11 x 9-1/2"             |
| 58       | 424841    | Baffle, Flange 61V                         |
| 59       | 04003-23  | Bolt, Carriage 3/8-16 x 1"                 |
| 60       | 482295    | Wheel, Anti-Scalp                          |
| 61       | 45944     | Shaft Weldment                             |
| 62       | 04001-47  | Bolt, Hex Head 3/8-16 x 5"                 |
| 63       | 04041-38  | Flatwasher, 3/8-.406 x 2.25 x .1875        |
| 64       | 04001-62  | Bolt, Hex Head 3/8-16 x 3-1/4"             |
| 65       | 04001-136 | Bolt, Hex Head 3/8-16 x 1-1/2" Grade 8     |
| 66       | 481632    | Wheel, Anti-Scalp (incl. # 67)             |
| 67       | 48100-15  | Bushing, Bronze                            |
| 68       | 04003-26  | Bolt, Carriage 3/8-16 x 4"                 |
| 69       | 04021-05  | Nut, Center Lock 3/8-16                    |
| 70       | 422478    | Bracket, Anti-Scalp Wheel                  |
| 71       | 04017-27  | Bolt, Hex Head 3/8-16 x 1" Serrated Flange |
| 72       | 04001-12  | Bolt, Hex Head 5/16-18 x 1-3/4"            |
| 73       | 04021-10  | Nut, 5/16-18 Elastic Stop                  |
| 74       | 482245    | Spring, Discharge Chute                    |
| 75       | 04001-154 | Bolt, Hex Head 5/16-18 x 4-3/4"            |
| 76       | 461846    | Discharge Chute Assembly                   |
| 77       | 481625-01 | Knob w/Stud                                |
| 78       | 425474    | Belt Cover, SVR-61V                        |

### SVR-61V CUTTER DECK CONTROLS

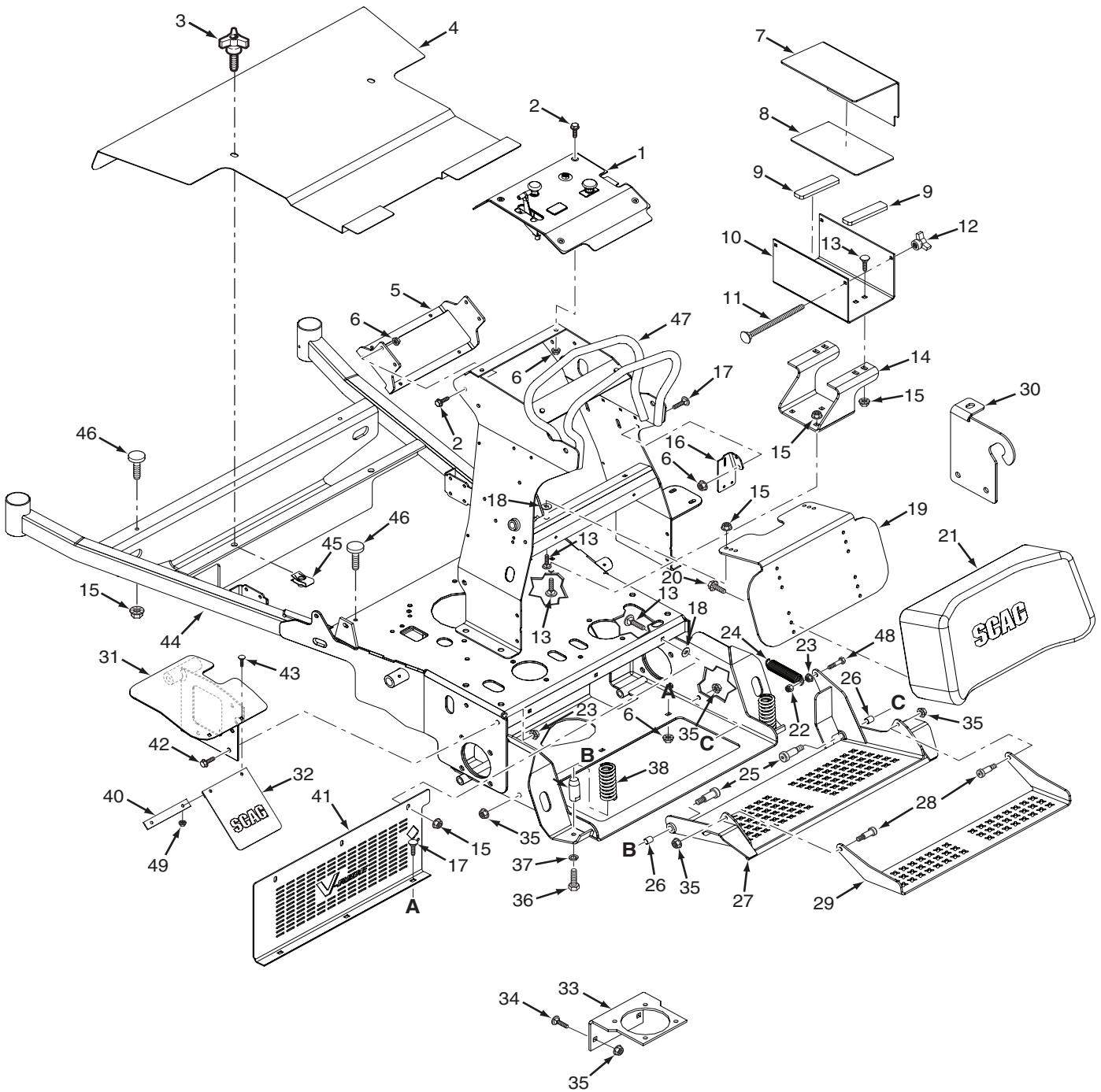


## SVR-61V CUTTER DECK CONTROLS

| Ref. No. | Part No.  | Description                         |
|----------|-----------|-------------------------------------|
| 1        | 481625-01 | Knob w/Stud                         |
| 2        | 491616    | Belt Cover w/Decals (61V)           |
| 3        | 452063    | Arm Weldment, RH                    |
| 4        | 04021-07  | Nut, Elastic Stop 1/2-13            |
| 5        | 43806     | Spacer                              |
| 6        | 04001-52  | Bolt, Hex Head 1/2-13 x 2-1/2"      |
| 7        | 04001-74  | Bolt, Hex Head 1/2-13 x 3"          |
| 8        | 04019-04  | Nut, Serrated Flange 3/8-16         |
| 9        | 04001-20  | Bolt, Hex Head 3/8-16 x 1-1/2"      |
| 10       | 483361    | Lever, Deck Level                   |
| 11       | 484274    | Linkage, Deck Lift (61V)            |
| 12       | 48540     | Chain                               |
| 13       | 452161    | Deck Lift Weldment (61V))           |
| 14       | 04019-06  | Nut, Serrated Flange 1/2-13         |
| 15       | 04021-10  | Nut, Elastic Stop 5/16-18           |
| 16       | 04001-09  | Bolt, Hex Head 5/16-18 x 1"         |
| 17       | 04110-04  | U-Nut, 3/8-16                       |
| 18       | 483334    | Bearing, Deck Lift - 61V            |
| 19       | 04041-08  | Flatwasher, 3/4-.766 x 1.25 x .0598 |
| 20       | 04050-02  | Retaining Ring, .750 "E"            |
| 21       | 04001-54  | Bolt, Hex Head 3/8-16 x 3"          |
| 22       | 04041-07  | Flatwasher, 3/8-.391 x .938 x .105  |
| 23       | 04021-09  | Nut, Elastic Stop 3/8-16            |
| 24       | 43747     | Actuator Rod                        |
| 25       | 483453-14 | Bearing                             |
| 26       | 452061    | Handle Weldment, Deck Latch         |
| 27       | 483600    | Spring, Deck Latch                  |
| 28       | 43212     | Spacer                              |
| 29       | 04001-31  | Bolt, Hex Head 3/8-16 x 2-1/2"      |
| 30       | 04001-183 | Bolt, Hex Head 1/2-13 x 1-3/4"      |
| 31       | 43748     | Bushing, Deck Latch                 |
| 32       | 424652    | Deck Latch, Outer                   |
| 33       | 04019-06  | Nut, Serrated Flange 1/2-13         |
| 34       | 04021-09  | Nut, Elastic Stop 3/8-16            |
| 35       | 43554     | Spacer                              |
| 36       | 43666     | Spacer                              |
| 37       | 425468    | Bracket, Deck Height (61V)          |
| 38       | 04001-82  | Bolt, Hex Head 1/2-13 x 4-1/2"      |
| 39       | 04062-04  | Hair Pin Cotter                     |
| 40       | 483345    | Pin Assembly w/Lanyard              |
| 41       | 452062    | Arm Weldment, LH                    |
| 42       | 483763    | Spring, Deck Lift                   |
| 43       | 43805     | Spacer                              |
| 44       | 484195    | Cap, Grease                         |

| Ref. No. | Part No.  | Description  |
|----------|-----------|--|
| 45       | 04021-20  | Nut, Elastic Stop 1"-14                                  |
| 46       | 481657    | Bearing w/Race   |
| 47       | 481025    | Seal, 2" OD x 1.625 ID                                   |
| 48       | 451658    | Caster Yoke Weldment                                     |
| 49       | 04001-167 | Bolt, Hex Head 1/2-13 x 9-1/2"                           |
| 50       | 43583     | Sleeve, Caster Wheel                                     |
| 51       | 9278      | Caster Wheel Assembly, 13 x 6.5                          |
| 52       | 43584     | Seal   |
| 53       | 482622    | Roller Bearing, Short                                    |
| 54       | 482621    | Bearing w/Race   |
| 55       | 48114-10  | Grease Fitting   |
| 56       | 41020     | Weight   |
| 57       | 04001-190 | Bolt, Hex Head 1/2-13 x 2-3/4" (One Weight)              |
|          | 04001-82  | Bolt, Hex Head 1/2-13 x 4-1/2" (Two Weights Installed)   |
|          | 04001-37  | Bolt, Hex Head 1/2-13 x 5-1/2" (Three Weights Installed) |
| 58       | 425209    | Reinforcement, Bearing                                   |
| 59       | 04019-04  | Nut, 3/8-16 Serrated Flange                              |
| 60       | 04001-136 | Bolt, Hex Head 3/8-16 x 1-1/2" Grade 8                   |
| 61       | 452164    | Fender Weldment  |

### SVR-61V SHEET METAL COMPONENTS



## SVR-61V SHEET METAL COMPONENTS

| Ref. No. | Part No.  | Description                          |
|----------|-----------|--------------------------------------|
| 1        | 462240    | Instrument Panel w/Decal             |
| 2        | 04001-06  | Bolt, Hex Head 1/4-20 x .63          |
| 3        | 481625-01 | Knob w/Stud                          |
| 4        | 491616    | Belt Cover w/Decals - 61V            |
| 5        | 425504    | Bracket, Oil Cooler - 48V & 52V Only |
| 6        | 04019-02  | Nut, Serrated Flange 1/4-20          |
| 7        | 42392     | Battery Cover                        |
| 8        | 48099     | Insulation, Battery Cover            |
| 9        | 48661     | Pad, Rubber                          |
| 10       | 423308    | Battery Box                          |
| 11       | 04003-01  | Bolt, Carriage 1/4-20 x 6"           |
| 12       | 04029-01  | Wing Nut, 1/4-20                     |
| 13       | 04003-12  | Bolt, Carriage 5/16-18 x 3/4"        |
| 14       | 425085    | Bracket, Battery Support             |
| 15       | 04019-03  | Nut, Serrated Flange 5/16-18         |
| 16       | 425307    | Bracket, Neutral Switch              |
| 17       | 04003-02  | Bolt, Carriage 1/4-20 x 3/4"         |
| 18       | 04024-03  | Nut, Push On 5/16"                   |
| 19       | 425148    | Bracket, Knee Pad                    |
| 20       | 04017-05  | Bolt, Hex Head 1/4-20 x 3/4"         |
| 21       | 483963    | Knee Pad                             |
| 22       | 04021-09  | Nut, Elastic Stop 3/8-16             |
| 23       | 04019-04  | Nut, 3/8-16 Serrated Flange          |
| 24       | 48929     | Spring                               |
| 25       | 04009-09  | Bolt, Shoulder 1/2 x 1"              |
| 26       | 483453-19 | Bearing                              |
| 27       | 462252    | Footplate Assembly (Incl. # 26)      |
| 28       | 04009-15  | Bolt, Shoulder 3/8 x 1/4"            |
| 29       | 425447    | Footplate Extension                  |

| Ref. No. | Part No.  | Description                            |
|----------|-----------|--|
| 30       | 425501    | Brake Shaft Support                    |
| 31       | 452164    | Fender Weldment                        |
| 32       | 481714    | Mudflap                                |
| 33       | 425084    | Bracket, Oil Filter Base               |
| 34       | 04001-19  | Bolt, Hex Head 3/8-16 x 1"             |
| 35       | 04019-04  | Nut, Serrated Flange 3/8-16            |
| 36       | 04001-18  | Bolt, Hex Head 3/8-16 x 3/4"           |
| 37       | 04030-04  | Lockwasher, 3/8"                       |
| 38       | 484041    | Spring, Foot Platform                  |
| 39       | 43814     | Pin, Spring Mount                      |
| 40       | 425534    | Strap, Mudflap                         |
| 41       | 425463    | Guard, Foot                            |
| 42       | 04001-19  | Bolt, Hex Head 3/8-16 x 1"             |
| 43       | 04003-12  | Bolt, Carriage 5/16-18 x 3/4"          |
| 44       | 462335    | Mainframe Assembly w/Decals (61)       |
| 45       | 04110-04  | U-Nut, 3/8-16                          |
| 46       | 481284    | Bumper, Rubber                         |
| 47       | 452165    | Handle Weldment                        |
| 48       | 04001-168 | Bolt, Hex Head 3/8-16 x 1-1/4" Grade 8 |
| 49       | 04021-04  | Nut, Center Lock 5/16-18               |

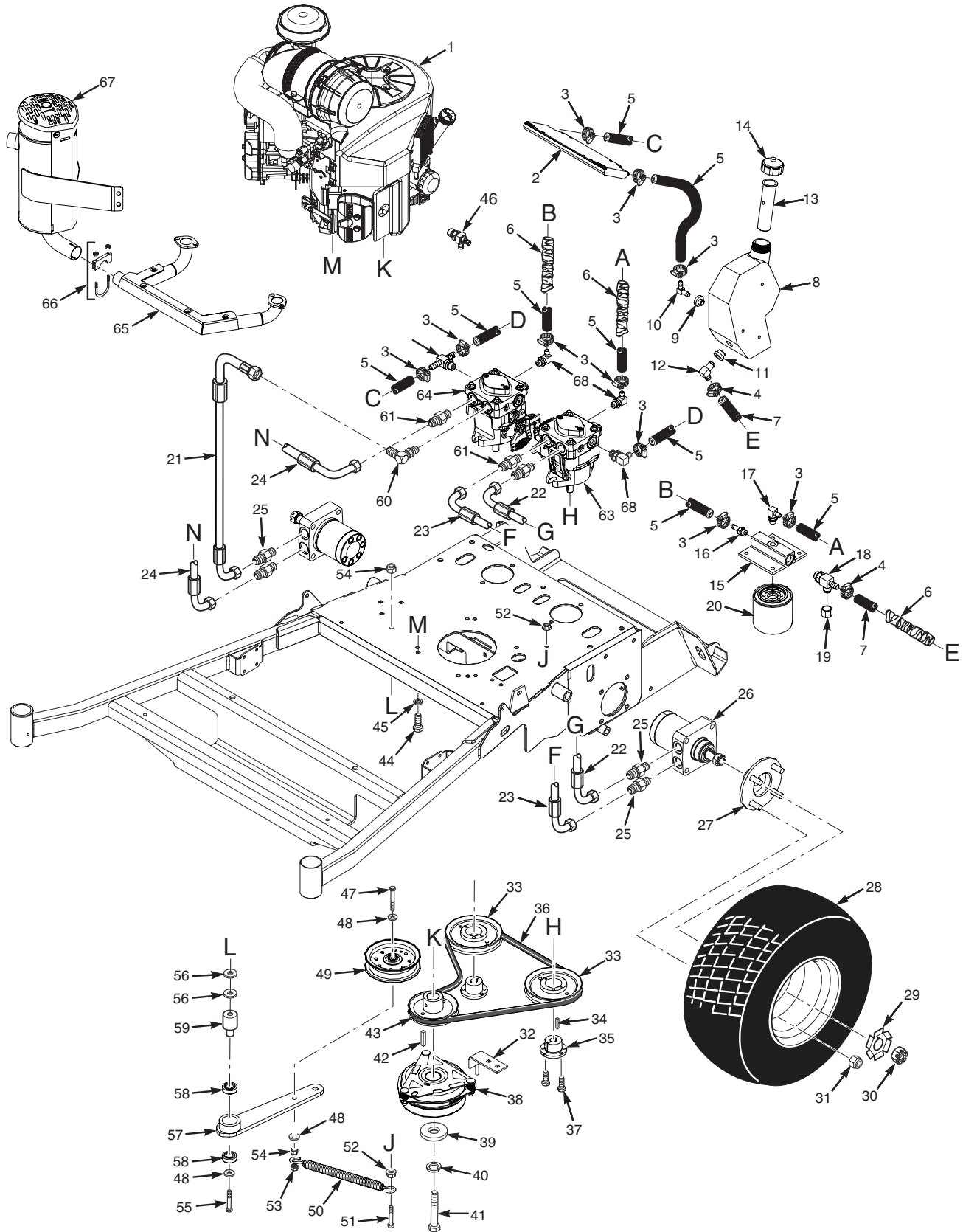


## STEERING CONTROLS AND FUEL COMPONENTS

| Ref. No. | Part No.  | Description                           |
|----------|-----------|---------------------------------------|
| 1        | 483617    | Fuel Hose 1/4" ID (Order by Inch)     |
| 2        | 48059-01  | Clamp, Fuel Hose 1/4" ID              |
| 3        | 462205    | Fuel Tank Assy. (Incl. #4, 5, 6, 7)   |
| 4        | 483896    | Valve, Fuel Shut Off                  |
| 5        | 482571    | Bushing, .56 Viton                    |
| 6        | 484246    | Fuel Gauge Assembly                   |
| 7        | 484242    | Grommet, Fuel Gauge                   |
| 8        | 483792    | Cap, Fuel Tank                        |
| 9        | 04040-15  | Flatwasher, 5/16-.375 x .875 x .083   |
| 10       | 04030-03  | Lockwasher, 5/16" Spring              |
| 11       | 04001-08  | Bolt, Hex Head 5/16-18 x 3/4"         |
| 12       | 04050-10  | Retaining Ring, .50 External          |
| 13       | 43820     | Shaft, Steering Handles               |
| 14       | 462220    | Handle Bar Assy., LH (Incl. # 15, 16) |
|          | 462221    | Handle Bar Assy., RH (Incl. # 15, 16) |
| 15       | 483453-19 | Bearing                               |
| 16       | 484092    | Grip, Control Lever                   |
| 17       | 04003-02  | Bolt, Carriage 1/4-20 x 3/4"          |
| 18       | 04003-06  | Bolt, Carriage 1/4-20 x 1"            |
| 19       | 481545    | Switch, Interlock                     |
| 20       | 425307    | Bracket, Neutral Switch               |
| 21       | 04019-02  | Nut, Serrated Flange 1/4-20           |
| 22       | 04001-10  | Bolt, Hex Head 5/16-18 x 1-1/4"       |
| 23       | 04040-04  | Flatwasher, 5/16-.344 x .688 x .065   |
| 24       | 04021-10  | Nut, Elastic Stop 5/16-18             |
| 25       | 484072    | Linkage Assembly                      |
| 26       | 43749     | Spacer, Pump                          |
| 27       | 04001-12  | Bolt, Hex Head 5/16-18 x 1-3/4"       |
| 28       | 452166    | Bellcrank, Brake Weldment             |
| 29       | 425467    | Brake Keeper Plate - SVR-61V          |
| 30       | 04019-03  | Nut, Serrated Flange 5/16-18          |

| Ref. No. | Part No. | Description                        |
|----------|----------|------------------------------------|
| 31       | 452167   | Brake Weldment, LH                 |
| 32       | 04001-32 | Bolt, Hex Head 3/8-16 x 1-1/4"     |
| 33       | 04040-12 | Flatwasher, 3/8-.438 x 1.0 x .083  |
| 34       | 04021-09 | Nut, Elastic Stop 3/8-16           |
| 35       | 04021-05 | Nut, Center Lock 3/8-16            |
| 36       | 04050-01 | Retaining Ring, .625 External "E"  |
| 37       | 04001-11 | Bolt, Hex Head 5/16-18 x 1-1/2"    |
| 38       | 04019-03 | Nut, Serrated Flange 5/16-18       |
| 39       | 484090   | Linkage Assembly, Brake            |
| 40       | 43750    | Spacer                             |
| 41       | 491607   | Brake Lever w/Grip - SVR-61V       |
| 42       | 481548   | Grip, Brake Lever                  |
| 43       | 04001-45 | Bolt, Hex Head 3/8-16 x 2"         |
| 44       | 04001-14 | Bolt, Hex Head 1/4-20 x 1"         |
| 45       | 483504   | Bearing                            |
| 46       | 04021-08 | Nut, Elastic Stop 1/4-20           |
| 47       | 452117   | Lock Weldment, Neutral             |
| 48       | 04009-14 | Bolt, Shoulder 3/8 x .375          |
| 49       | 04009-11 | Bolt, Shoulder 3/8 x 1"            |
| 50       | 04050-05 | Flatwasher, 3/8-.406 x .812 x .065 |
| 51       | 483601   | Spring, Neutral Lever              |
| 52       | 452118   | Handle Weldment                    |
| 53       | 04020-12 | Nut, Jam 3/8-16                    |
| 54       | 484093   | Knob, Soft Touch                   |

### SVR-61VHYDRAULICS AND ENGINE COMPONENTS



## SVR-61V HYDRAULICS AND ENGINE COMPONENTS

| Ref. No. | Part No.  | Description                                 | Ref. No. | Part No.  | Description                           |
|----------|-----------|---|----------|-----------|---------------------------------------|
| 1        | 484219    | Engine, 29hp Kawasaki FX                    | 42       | 04063-28  | Key, 1/4 x 1/4 x 3-1/2"               |
| 2        | 484317    | Cooler, Transmission (61V)                  | 43       | 483802    | Pulley, 4.75 OD - 1.125" Bore         |
| 3        | 48136-13  | Clamp, .69 Max Dia.                         | 44       | 04001-32  | Bolt, Hex Head 3/8-16 x 1-1/4"        |
| 4        | 48136-05  | Clamp, .87 Max Dia.                         | 45       | 04030-04  | Lockwasher, 3/8" Spring               |
| 5        | 48811     | Hose, 3/8 Pushlock (order by inch)          | 46       | 484089    | Oil Drain                             |
| 6        | 482839    | Heatshield, Flexible                        | 47       | 04001-161 | Bolt, Hex Head 3/8-16 x 2-3/4"        |
| 7        | 48351     | Hose, 1/2 Pushlock (order by inch)          | 48       | 04043-04  | Flatwasher, 3/8-.391 x .938 x .105 HD |
| 8        | 462176    | Hydraulic Tank Assy. (incl. # 9 through 13) | 49       | 483213    | Pulley, 4-1/2" Idler                  |
| 9        | 482571    | Bushing, .56 Dia, Viton                     | 50       | 483526    | Spring, Transmission                  |
| 10       | 482572    | Fitting, 90 Degree - .38 Hose               | 51       | 04001-54  | Bolt, Hex Head 3/8-16 x 3"            |
| 11       | 482573    | Bushing, .78 Dia. Viton                     | 52       | 04019-04  | Nut, Serrated Flange 3/8-16           |
| 12       | 482574    | Fitting, 90 Degree - .50 Hose               | 53       | 04021-05  | Nut, Center Lock 3/8-16               |
| 13       | 481507    | Insert, Filler Neck                         | 54       | 04021-09  | Nut, Elastic Stop 3/8-16              |
| 14       | 481164    | Cap, Hydraulic Tank                         | 55       | 04001-62  | Bolt, Hex Head 3/8-16 x 3-1/4"        |
| 15       | 482417    | Filter Head                                 | 56       | 04041-12  | Flatwasher, 3/8-.375 x 1-1/2 x .059   |
| 16       | 482800-02 | Fitting                                     | 57       | 462229    | Idler Arm Assy (incl. # 58)           |
| 17       | 482266-01 | Elbow, 90 Degree                            | 58       | 48224     | Bearing                               |
| 18       | 482481    | Tee Fitting, 3/4 O-Ring                     | 59       | 43734     | Idler Pivot, Long                     |
| 19       | 48571-02  | Cap, 3/4" JIC                               | 60       | 48350-05  | Elbow, 90 Degree - 1/2 x 1/2          |
| 20       | 48462-01  | Oil Filter                                  | 61       | 48572-04  | Fitting, Union 1/2 x 1/2              |
| 21       | 484208    | Hose Assembly                               | 62       | 483280    | Tubing, Oil Drain (order by inch)     |
| 22       | 484205    | Hose Assembly                               | 63       | 484277    | Pump, LH - 12cc                       |
| 23       | 484206    | Hose Assembly                               | 64       | 484278    | Pump, RH - 12cc                       |
| 24       | 484207    | Hose Assembly                               | 65       | 484198    | Exhaust Manifold, 29FX Kawasaki       |
| 25       | 48572-02  | Fitting, Union 1/2 x 5/8                    | 66       | 481259    | Clamp, Muffler 1.25 Dia.              |
| 26       | 483388    | Wheel Motor                                 | 67       | 484199    | Muffler, 29FX Kawasaki                |
| 27       | 462275    | Wheel Hub                                   | 68       | 482266-01 | Elbow, 90 Degree                      |
| 28       | 484056    | Wheel Assembly                              |          |           |                                       |
|          | 481868    | Rim w/Valve Stem                            |          |           |                                       |
|          | 484057    | Tire, 20 x 10.5-8 4-Ply                     |          |           |                                       |
| 29       | 422214    | Lockwasher, Wheel Motor                     |          |           |                                       |
| 30       | 48679     | Hex Castle Nut, 3/4-28                      |          |           |                                       |
| 31       | 04028-02  | Wheel Nut                                   |          |           |                                       |
| 32       | 452162    | Anti-Rotation Bracket                       |          |           |                                       |
| 33       | 482649    | Pulley, 5.45 OD - Tapered Bore              |          |           |                                       |
| 34       | 04063-14  | Key, 5 x 5 x 25mm                           |          |           |                                       |
| 35       | 482085    | Tapered Hub, 15mm Bore                      |          |           |                                       |
| 36       | 483520    | Belt, Pump Drive                            |          |           |                                       |
| 37       | 04001-172 | Bolt, Hex Head 1/4-20 x 1" Gr. 8            |          |           |                                       |
| 38       | 462339    | Clutch w/Tag                                |          |           |                                       |
| 39       | 04041-28  | Flatwasher, 7/16-.469 x 1.75 x .25          |          |           |                                       |
| 40       | 04030-05  | Lockwasher, 7/16" Spring                    |          |           |                                       |
| 41       | 04102-03  | Bolt, Hex Head 7/16-20 x 2-1/4" Patch       |          |           |                                       |









