
THE GIANT-VAC

TOW-BEHIND BLOWER

MODEL 2551E

OPERATOR'S MANUAL

Congratulations!

You have just purchased one of the finest pieces of outdoor power equipment on the market today. If properly cared for, your Giant-Vac Tow-Behind Blower will provide years of dependable service. Please read and follow this instruction manual carefully in order to get the most out of your new equipment.

As you unpack your unit, you will find the following parts:

- 1 – Power unit
- 1 – Draw bar
- 1 – Package of hardware
- 1 – Package containing operating manuals and warranty registration

Your Giant-Vac Tow-Behind Blower requires very little assembly. Simply follow the instructions contained within this manual to begin enjoying the benefits of your new unit.

Each Giant-Vac product leaves our factory in excellent condition; occasionally, however, some damage may occur during shipment. If any such damage is found upon initial inspection, *immediately* notify the transport carrier who delivered your machine, as they are solely responsible for such damage, as well as any subsequent adjustments necessary.

CALIFORNIA PROPOSITION 65 WARNING

Gasoline and Diesel engine exhaust and some of its constituents are known to the State of California to cause cancer, birth defects and other reproductive harm.

As an owner of off-road gasoline or diesel engine equipment and/or as an employer, you also may have an obligation under the California Occupational Safety and Health Act or under Proposition 65 to warn persons exposed to gas and diesel engine exhaust and/or other Proposition 65 chemicals in and around your workplace. See California Health and Safety Code section 25249.5, Title 22 of the California Code of Regulations at Section 1200 *et seq.*, and Title 8 of the California Code of Regulations Section 5194.

1 SAFETY RULES REGARDING OUTDOOR POWER EQUIPMENT

***IMPORTANT!* READ THE FOLLOWING SAFETY RULES
CAREFULLY BEFORE ASSEMBLING OR OPERATING UNIT:**

- Regard your Giant-Vac as a piece of power equipment and teach this regard to all who will operate this unit. Never allow children or young teenagers to operate the unit.
- Always wear appropriate safety equipment when operating this unit. Proper eye, ear, and breathing protection is a must.
- Be sure you know how to stop both the unit and the engine at a **MOMENT'S NOTICE**. Refer to the operation section of this manual, as well as the engine manual.
- Do not operate with any guards or component parts removed from unit.
- Unless there is very good artificial light, use only during daylight.
- Fill gasoline driven machines outdoors. Avoid spilling gasoline and **DO NOT** fill the engine while it is running or while you are smoking.
- While in operation, keep all parts of body away from intake and exhaust sections. Never insert any body part or other foreign object in any opening while the machine is running.
- When operating unit, keep people and pets a safe distance away. Instruct children to keep away from the area of operation at all times.
- Do not use on steep inclines (over 30 degrees), as unit can roll over.
- Before making any adjustments or repairs, stop engine and remove spark plug wire.

**FAILURE TO FOLLOW THESE RULES CAN RESULT IN CHRONIC
HEALTH PROBLEMS, SERIOUS INJURY, OR EVEN DEATH.**

2

UNIT ASSEMBLY

DRAW BAR ASSEMBLY

- Slide end of draw bar into receiver channel on unit, aligning holes in each.
- Insert one 3/8 x 1" bolt, fitted with one 3/8" flatwasher, into each of the six holes in both the receiver channel and draw bar, securing with one 3/8" lockwasher and nut.

CONNECTING BATTERY

- The battery supplied with your unit is shipped without acid for safety. Battery acid can be obtained at any local auto supply store.
- Connect battery cables from unit to corresponding terminals on battery.

Assembly of your Giant-Vac Tow-Behind Blower is complete. You are now ready to mount your unit onto the rear of your towing vehicle. Refer to the vehicle manufacturer's instructions of your tractor for information on proper connecting procedures.

3

UNIT OPERATION

1. STARTING THE ENGINE

IMPORTANT NOTE: The procedures outlined within this section are general guidelines, and are in no way meant to replace or supercede engine manufacturer's operating instructions. In order to obtain optimum performance from your engine, refer to your engine manual.

BEFORE STARTING ENGINE:

- Be sure that the unit is completely assembled, all fasteners are tightened securely, and all safety guards and components are in place.
- Be sure to check engine's **oil** and **gasoline***. (See engine manual for recommended oil and gasoline specifications.) **Never** check the engine while it is running or while you are smoking. Check only when engine is cold.
*** All machines are shipped without oil or gasoline unless otherwise noted.**
- Be sure that fuel valve on engine is set to open position (if applicable).

TO START ENGINE :

- Set throttle control to "ON" position. If engine is cold, set choke (if so equipped). If your engine has a fuel prime button, depress it firmly three times.
- Grasp recoil handle and pull briskly. You may have to pull several times before engine starts. (If engine fails to start within a reasonable amount of time, discontinue and check engine manual for further instructions.)
- After engine starts, move throttle control down to approximately half, and turn off choke.

TO SHUT ENGINE DOWN :

- Allow engine to idle for 2-3 minutes before shutting down.
- Set throttle control to 'off' position.
- If engine is not to be started for a prolonged period, turn fuel valve to closed position.

IMPORTANT NOTE: If you experience problems with your engine that cannot be satisfactorily resolved by following the instructions contained within the engine manual, contact your local engine dealer, or call the toll-free service number listed in the repair section of the engine manual. All engine service, warranty or otherwise, is required to be performed by a manufacturer-authorized service center. Giant-Vac, Inc. is neither authorized nor responsible for any type of warranty engine service, nor is it equipped to perform any such service.

3

UNIT OPERATION

2. OPERATING THE BLOWER:

GENERAL RULES TO OBSERVE BEFORE AND DURING OPERATION:

- Be sure that you have connected the unit to the towing vehicle correctly and securely, carefully following manufacturer's instructions.
- Follow the vehicle manufacturer's recommendations for safe operation.
- Clear the entire work area of all debris that could catch on or be thrown by the blower. High velocity discharge can easily turn rocks and branches into dangerous flying projectiles.
- Do not start unit until you are ready to begin debris removal, and promptly shut unit down as soon as operation is complete.
- When blowing dry debris, set blower discharge to lower rate; when blowing wet or frozen debris, increase discharge rate.
- Use proper discretion in selecting your cleaning pattern, especially on uneven terrain. Avoid steep hills, especially if turf is wet. Do not travel straight down slopes exceeding 14 degrees. If tires begin to slip when climbing a slope, the grade is too steep for safe operation. Angle to a less steep slope until tires stop slipping and traction is regained.
- Be keenly aware of the unit's presence on the rear of the tractor, especially when backing up or negotiating tight spaces and corners. Failure to do this can result in serious damage to unit, towing vehicle, and/or property.

CHANGING DIRECTION OF DISCHARGE:

- The Giant-Vac Tow-Behind Blower discharges air initially from the left side of the unit (driver's perspective). However, right hand discharge can be achieved by pulling the left side of the T-shaped discharge direction control handle, located to the left rear of the operator and made easily accessible with a length of rope knotted through the hole in each end of the handle. This handle operates an inner deflector door, which, when opened, diverts air flow out to the right side. * This door is held in place by the pressure of the air flow, which permits hands-free operation while in right hand mode.
- The operator can at any time revert back to left hand discharge by pulling the right side of the handle; however, when the unit is shut down, or the engine has been throttled down sufficiently, the spring-loaded inner door will close and air flow will automatically revert back to left hand discharge.
- Each discharge opening has an adjustable deflector to assist in directing the ground air flow for varying conditions.

*Please note that the Giant-Vac Tow-Behind Blower is designed to be equally efficient in either left or right hand discharge mode.

4 MAINTENANCE AND STORAGE

- Follow **implicitly** the engine manufacturer's recommendations for maintenance.
- Never make any adjustments to the unit until the engine is **off** and the spark plug wire is disconnected.
- If carburetor adjustment is necessary, stand to one side and **keep feet and hands** in the clear while making adjustments.
- Keep engine free of accumulations of grass, leaves or excessive grease. An accumulation of these combustible materials may result in a fire.
- Store gasoline in a **safe and approved** container in a cool, dry place.
- Keep the unit and any fuel containers in locked storage to prevent children from playing and/or tampering with them.
- Do not store gasoline powered equipment or fuel containers in a basement or any closed area where heating or heat appliances or open pilot lights are present, unless the fuel is completely drained from the power equipment and the fuel containers.

GIANT-VAC WARRANTY

GIANT-VAC, INC., here-in-after called Giant-Vac, warrants each new Giant-Vac to the original retail purchaser of the new Giant-Vac equipment to be free from manufacturing defects in normal service for a period of 1 year, unless it is used for rental purposes, which limits the warranty to 30 days. This warranty does not apply to engines, tires or other parts that are purchased and warranted by their manufacturer. Items such as bags, grass catchers, hoses and blades are not warranted, as these are considered expendable items. This warranty does not include equipment failures due to normal wear.

Any obligation under this warranty is expressly limited to the replacement or repair, at an authorized servicing Giant-Vac dealer, or at a point designated by us, of such parts as appear to us to have been defective. All defective parts have to be returned freight prepaid before credit will be issued.

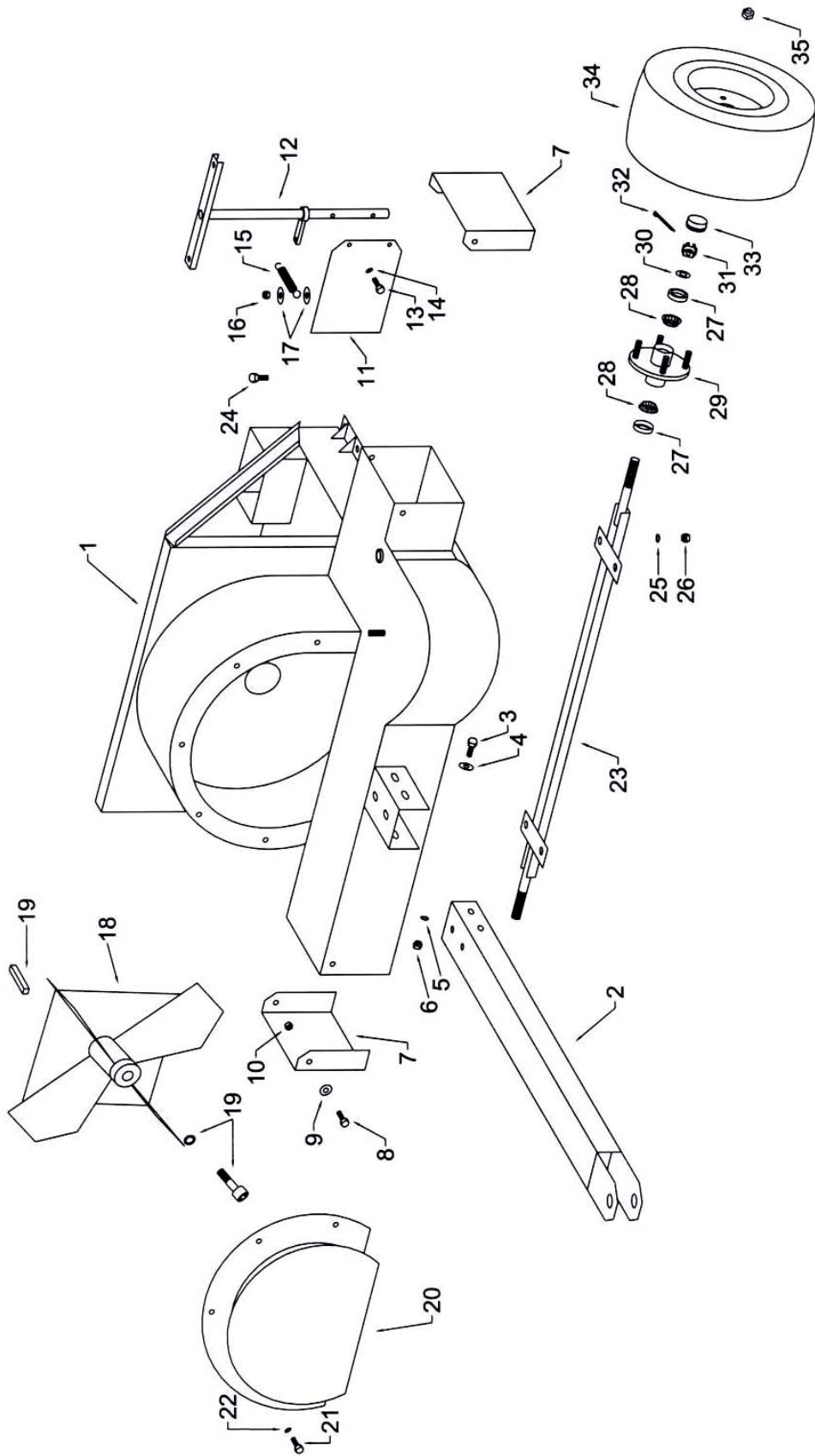
We shall not be liable for transportation charges in connection with the replacement or repair of defective parts.

This warranty does not apply to a Giant-Vac upon which repairs or alterations have been made by others except with our prior written approval.

We shall not be liable for consequential damages or contingent liabilities for the fitness of any Giant-Vac for any particular purpose.

We make no other express, implied or statutory warranty, nor is anyone authorized to make any in our behalf.

**GIANT-VAC, INC.
P.O. BOX 195
SOUTH WINDHAM, CT. 06266
PHONE: 860-423-7741 • FAX: 860-423-2654**



GIANT-VAC, INC.

Model 2551E

Parts List #5746

PARTS LIST NO. 5746

<u>REF.</u> <u>NO.</u>	<u>PART</u> <u>NO.</u>	<u>DESCRIPTION</u>	<u>2551E</u>
1	10224	Housing & base assy	1
2	38041	Draw bar	1
3	31033	3/8-16 x 1 hex bolt (draw bar to housing assy)	6
4	31034	3/8" flat washer	6
5	31008	3/8" lock washer	6
6	31009	3/8-16 hex nut	6
7	24630	Side discharge deflector	2
8	31033	3/8-16 x 1 hex bolt (side deflector to housing assy)	4
9	31034	3/8" flat washer	4
10	31355	3/8-16 lock nut	4
11	24616	Inner discharge direction door	1
12	23223	Direction door control rod assy	1
13	31031	5/16-18 x 3/4" hex bolt (direction door to control rod)	2
14	31003	5/16" lock washer	2
15	31422	Discharge door return spring	1
16	31355	3/8-16 lock nut (spring to housing assy)	1
17	31034	3/8" flat washer	2
18	21573	Impeller	1
19	31447	Impeller bolt & key group	1
20	20219	Intake baffle	1
21	31031	5/16-18 x 3/4" hex bolt (intake baffle to housing assy)	5
22	31003	5/16" lock washer	5
23	33219	Axle	1
24	31122	1/2-13 x 1-1/4" hex bolt (axle to housing assy)	4
25	31078	1/2" lock washer	4
26	31022	1/2-13 hex nut	4
27	33057	Bearing seal	4
28	33056	High speed bearing – 1 set of 2	2
29	33058	Hub - less bearing – 4-lug w/studs	2
30	31023	3/4" flat washer	2
31	31451	Castle nut – 3/4"-25 – secures hub to axle	2
32	31783	Cotter pin – 1/8" x 1-1/2" oal	2
33	33055	Dust cap	2
34	33059	Tire & rim assy – 16-6.50 x 8 – 4-lug	2
35	31152	Lug nut	8

ITEMS NOT SHOWN

40114	Fuel cap – specify 'gas'	1
31828	Fitting, brass – 1/4" IPT to 1/4" Farrell	1
31753	Hose, copper fuel – 1/4" – 12" length	1
31755	Hose, rubber fuel – 1/4" – 12" length	1
34041	Clamp, hose – 1/2"	2
39020	Battery -	1
31643	Battery cable – 16SS	1
31642	Battery cable – 32SS	1
31009	3/8-16 hex nut (ground cable to base)	1

PARTS LIST NO. 5746

<u>REF. NO.</u>	<u>PART NO.</u>	<u>DESCRIPTION</u>	<u>2551E</u>
	31008	3/8" lock washer	1
	31837	Battery terminal cover - black	1
	31836	Battery terminal cover - red	1
	31830	Fuel drain plug – 3/8" IPT	1
	39070	Engine – 25hp Kohler Command	1
	31112	3/8-16 x 1-1/2" hex bolt (engine to housing & base assy)	4
	31008	3/8" lock washer	4
	31009	3/8-16 hex nut	4

SPECIFICATIONS SUBJECT TO CHANGE WITHOUT NOTICE