

INSTRUCTIONS FOR ASSEMBLING AND OPERATING YOUR GIANT-VAC MODEL 6001 -- TM 6500 -- TM 6800 --TM 9800 TRUCK LOADER

As you unpack your Giant-Vac truck loader, you will find the following parts:

- 1 - Power unit with motor and impeller
- 1 - Ctn. with a nozzle, support band and lower boom
- 1 - Exhaust stack & elbow combination
- 1 - Intake hose - 18" diameter
- 1 - Exhaust hose - 12" diameter
- 1 - Upper boom
- 1 - Package of hardware with boom chain

Inspect parts for any damage that occurred in shipping. If found, save the packing box and **IMMEDIATELY** notify the transport carrier who delivered your machine. They are responsible for the damage and are the only ones to make any adjustments. Before leaving our plant, all dimensions are held to close tolerances, thus, you will have little difficulty in assembling your Giant-Vac Truck Loader if you follow these steps.

CALIFORNIA PROPOSITION 65 WARNING

Gasoline and Diesel engine exhaust and some of its constituents are known to the State of California to cause cancer, birth defects, and other reproductive harm.

As an owner of off-road gasoline or diesel engine equipment and/or as an employer, you also may have an obligation under the California Occupational Safety and Health Act or under Proposition 65 to warn persons exposed to gas and diesel engine exhaust and /or other Proposition 65 chemicals in and around your workplace. See California Health and Safety Code section 25249.5, Title 22 of the California Code of Regulations at section 1200, *et seq.*, and Title 8 of the California Code of Regulations section 5194.

ASSEMBLY INSTRUCTIONS

ASSEMBLY:

Remove the draw bar, Ref. #1, from the hitch, and turn it around so the pintle eye is facing outward. Re-bolt the draw bar into the hitch at the desired height and length. Discard the shipping leg at this time, as it is used only for shipping purposes. Lower the adjustable leg, Ref. #4, to work in conjunction with the support jack, Ref. #2, to level the machine. The exhaust stack and elbow combination, Ref. #5, is bolted onto the top of the blower housing, using three 1/2 x 4 1/2" hex bolts, flat washers, lock washers and nuts. Place this with the boom holder brackets positioned so the boom, when installed, is located over the intake flange. Secure the metal exhaust hose, Ref. #4 to the round end of the elbow with the squeeze ring. Tighten the bolts to hold the hose in place. Next, attach the upper boom to the lower boom, using a 1/2 x 3" hex bolt and lock nut. Attach the spring guide to the upper boom, using a 1/2 x 3" hex bolt and lock nut. Remove the 3/4" nut and flat washer from the

bottom of the spring guide and insert the rod into the bottom hole on the lower boom, securing with the hardware previously removed. Now install the boom assembly into the boom brackets on the stack. Do this by sliding the vertical arm into the upper bracket and then slipping the arm down into the lower bracket. Slip the intake hose over the nozzle and secure with two hose clamps. Then slip the other end of the hose over the intake flange on the housing and secure with two hose clamps. Place the support band around the intake hose, approximately half way from the end, and secure with a 5/16 x 3 1/2" hex bolt and two nuts. Attach one end of the chain to the far end of the upper boom and the pass the other end through the loop in the support band. Adjust the height of the hose by where you hook this end of the chain.

CONNECTING TO THE TRUCK:

Your Giant-Vac truck loader is very versatile. It tows readily by a truck. CHECK WITH YOUR STATE AND TOWN ORDINANCES FOR TOWING RULES, REGULATIONS AND SAFETY STANDARDS.

WHEN TRANSPORTING THE TRUCK LOADER, DO NOT EXCEED 30 M.P.H. HIGH SPEED DRIVING AND POOR ROAD CONDITIONS CAN CAUSE DAMAGE TO THE TRUCK LOADER AND THE PICK UP TRUCK. MAKE SURE THE HOSE AND BOOM ARE SECURED BEFORE TRANSPORTING YOUR TRUCK LOADER.

DEBRIS BOXES:

To begin with, it is *extremely important* to have an adequate screen for allowing air to escape. We strongly recommend the entire top of the box be covered with screening. One inch expanded mesh or 1/4" square mesh makes an excellent screen. The collection box is generally fabricated out of plywood and angle iron. A 3" angle iron frame is first fabricated. Then the sides are lined with 3/4" thick exterior type plywood. Make a frame for the top and then cover the frame with metal screening. If using a dump truck, remove the door. Fabricate a door from angle iron and plywood with a hinge on top. Do Not use any thinner plywood as the internal pressure is apt to blow out the sides. A 16" diameter hole should be cut in the door of the box, directly over the hitch and at the same height as the exhaust stack & elbow combination. Place a rubber gasket around this hole. A 14" inner tube makes an ideal gasket. The free end of the metal exhaust hose goes through this hole.

NEVER INSERT ANY BODY PART OR OTHER FOREIGN OBJECT IN ANY OPENING WHILE THE MACHINE IS RUNNING.

MOTOR INSTRUCTIONS:

You have received a complete engine manual with your machine. Be sure to especially note the instructions on **OILING**. *ALL MACHINES ARE SHIPPED WITHOUT OIL OR GASOLINE UNLESS OTHERWISE NOTED.* If you have any difficulties with the engine, check the Yellow Pages of your phone book for the engine dealer nearest you, rather than us, as the engines are under their own manufacturer's warranty.

SAFETY AND OPERATING INSTRUCTIONS

TRAINING:

1. Regard your Giant-Vac as a piece of power equipment and teach this regard to all who will operate this unit.
2. **Never** allow children or young teenagers to operate the Giant-Vac.
3. Be sure you know how to stop the engine at a **MOMENT'S NOTICE**.
4. Instruct children to keep away from the area of operation at all times.

PREPARATION:

1. Before starting operation, clear the *entire* work area of all debris that could catch on or be thrown by the Truck Loader.
2. Unless there is very good artificial light, use *only* during daylight.
3. Fill gasoline driven machines outdoors. Avoid spilling gasoline and **DO NOT** fill the engine while it is running or while you are smoking.

OPERATION:

1. **NEVER INSERT ANY BODY PART OR OTHER FOREIGN OBJECT IN ANY OPENING WHILE THE MACHINE IS RUNNING.**
2. **CAUTION: WHEN TRANSPORTING THE TRUCK LOADER, DO NOT EXCEED 30 M.P.H. HIGH SPEED DRIVING AND POOR ROAD CONDITIONS CAN CAUSE DAMAGE TO THE TRUCK LOADER AND THE TOW VEHICLE. MAKE SURE THE HOSE AND BOOM ARE SECURED BEFORE TOWING YOUR TRUCK LOADER.**
3. Do **not** operate with any guards or component parts removed from unit.
4. Before making any adjustments or repairs, **stop engine** and remove spark plug wire.
5. While in operation, **keep all parts of body** away from intake and exhaust sections.
6. When operating machine, keep people and pets a safe distance away.
7. Before starting, be certain to check the engine's **OIL AND GASOLINE**. (See engine manufacturer's Service Manual.) **NEVER** check the engine while engine is running or while you are smoking. Check **ONLY** when engine is cold.
8. Before starting the engine, **completely** assemble the unit. With your right hand, set the throttle control to the "on" position. When the engine is cold, you might have to initially choke the engine. (The choke lever is next to the carburetor.) Next, make sure the battery is charged and both battery

cables are properly connected. Turn the ignition key to “START” and the engine should start. After the engine starts, move the throttle lever down to approximately halfway

9. After the machine is running, check the adjustment of the chain on the hose support. This is **vitaly important** for ease of operation. To make this check, speed up the engine. You should then be able to push the nozzle to the ground and pull it back up by using three fingers of one hand. If you can not operate the nozzle accordingly, either the chain should be readjusted or the spring tension of the boom assembly changed.
10. We recommend the following for efficient use of the truck loader: If the leaves are dry, run the machine at approximately half throttle. This will help reduce the amount of small particles of debris escaping through the exhaust screen. When the leaves are wet or partially frozen, run the machine at full throttle.
11. The Truck Loader is designed to be used in conjunction with a truck that has a receiver box installed. Be sure the receiver box is of adequate construction to withstand the high velocity and force of the incoming debris. **NEVER** run or operate your Truck Loader unless it is completely connected to a receiver box and the intake hose installed.
12. **NEVER** allow a person to ride, sit or stand on the Truck Loader. **NEVER** allow a person to ride, sit or stand on the towing vehicle other than in the driver’s cab of the towing vehicle.
13. Make sure that the driver of the towing vehicle has the operator of the Truck Loader in **full view at all times**. Also, when operating the Truck Loader, instruct the operator to stay to the side of the machine, **never** in front or behind.
14. To uncouple the machine, either to empty the box or when finished using it, **first** lower the rear support leg. Next, crank down the forward jack. Now the machine can be uncoupled from the truck. Perform the reverse to couple the machine to the truck. Quite often a “U” bracket is used to support and guide the flexible metal hose into the hole in the debris box.

MAINTENANCE AND STORAGE:

1. Follow **implicitly** the engine manufacturer’s recommendations for maintenance and storage.
2. **Never** adjust the Truck Loader or change attachments until the engine has been turned off and the spark plug wire disconnected.
3. If carburetor adjustment is necessary, stand to one side and **keep feet and hands** in the clear while making adjustments.
4. Keep engine free from accumulations of grass, leaves or excessive grease. An accumulation of these combustible materials may result in a fire.
5. Store gasoline in a **safe and approved** container in a cool dry place.

6. Keep the Truck Loader and fuel container in **locked** storage to prevent children from playing and/or tampering with them.
7. *DO NOT* store gasoline powered equipment or fuel containers in a basement or any closed area where heating or heat appliances or open pilot lights are present, unless the fuel is completely drained from the power equipment and the fuel containers

GIANT-VAC WARRANTY

GIANT-VAC MFG. INCORPORATED, here-in-after called Giant-Vac, warrants each new Giant-Vac to the original retail purchaser of the new Giant-Vac equipment to be free from manufacturing defects in normal service for a period of 1 year, unless it is used for rental purposes, which limits the warranty to 30 days. This warranty does not apply to engines, tires or other parts that are purchased and warranted by their manufacturer. Items such as bags, grass catchers, hoses and blades are not warranted, as these are considered expendable items. This warranty does not include equipment failures due to normal wear.

Any obligation under this warranty is expressly limited to the replacement or repair, at an authorized servicing Giant-Vac dealer, or at a point designated by us, of such parts as appear to us to have been defective. All defective parts have to be returned freight prepaid before credit will be issued.

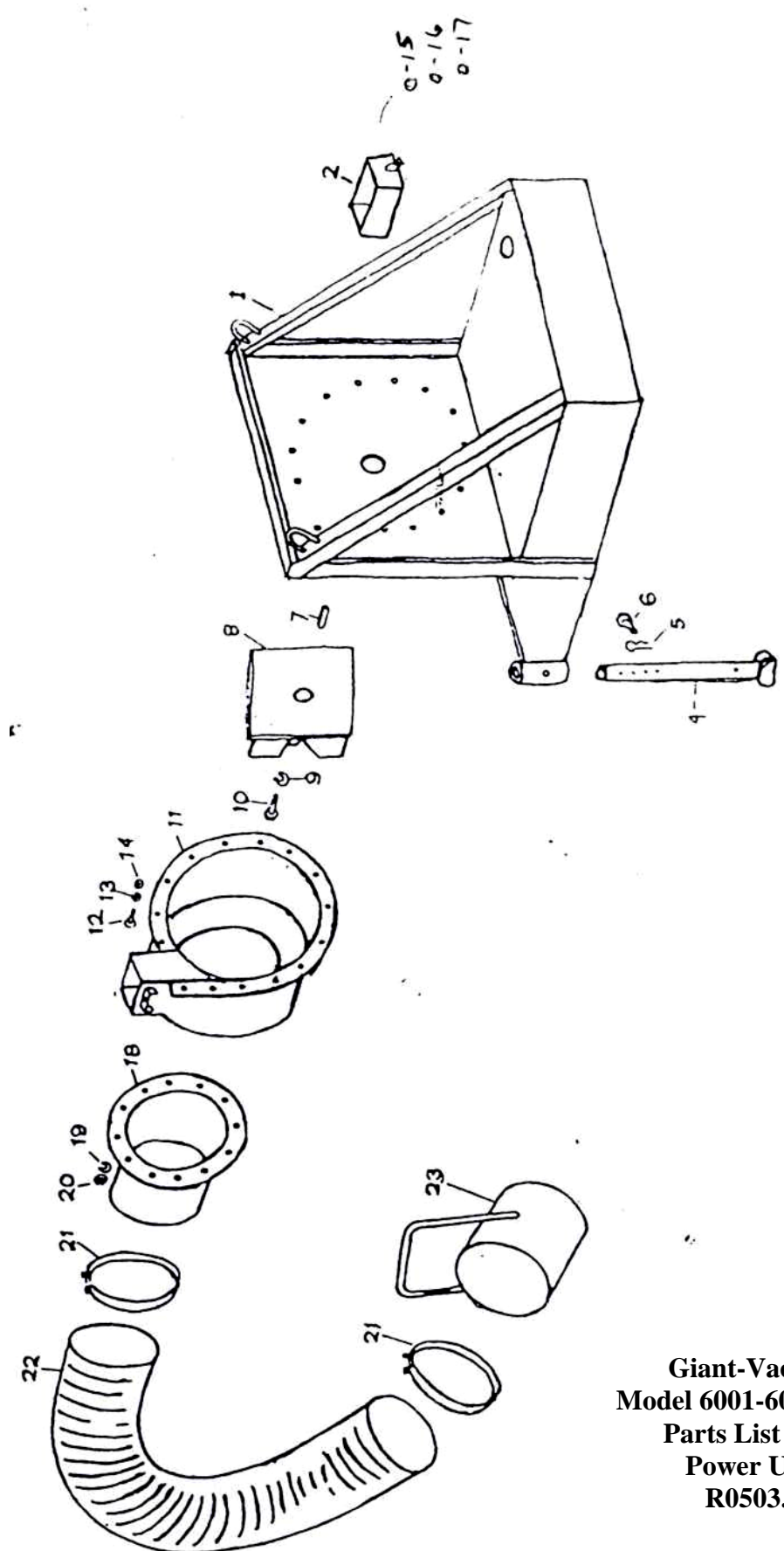
We shall not be liable for transportation charges in connection with the replacement or repair of defective parts.

This warranty does not apply to a Giant-Vac upon which repairs or alterations have been made by others except with our prior written approval.

We shall not be liable for consequential damages or contingent liabilities for the fitness of any Giant-Vac for any particular purpose.

We make no other express, implied or statutory warranty, nor is anyone authorized to make any in our behalf.

GIANT-VAC MFG. INCORPORATED
P.O. BOX 195
SOUTH WINDHAM, CT. 06266
PHONE: 860-423-7741
FAX: 860-423-2654



Giant-Vac Inc
Model 6001-6001CHW
Parts List 5721
Power Unit
R0503.1

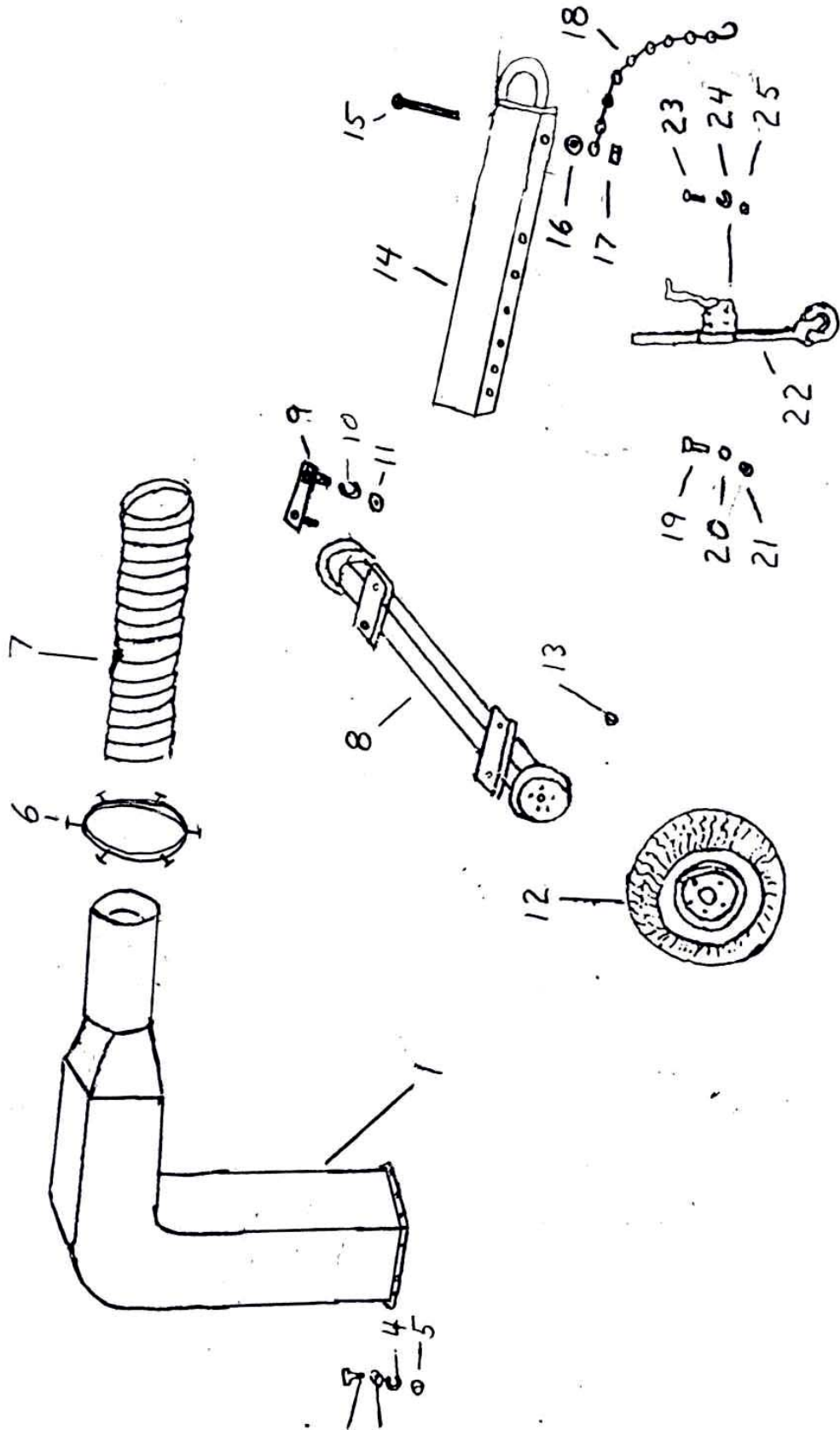
PARTS LIST NO. 5721

POWER UNIT

<u>REF. NO.</u>	<u>PART NO.</u>	<u>DESCRIPTION</u>	<u>6001/ 6001CHW*</u>	<u>6800/ 6800CHW*</u>	<u>9800/ 9800CHW*</u>
--Asterisk (*) next to ref no. denotes part used on CHW models only--					
1	10187	Loader base - skid mount	1	--	--
1	10197	Loader base – skid mount	--	1	--
1	10201	Loader base – skid mount	--	--	1
1 *	10188	Loader base – CHW version (with fenders, hitch frame)	1	--	--
1 *	10198	Loader base – CHW version (with fenders, hitch frame)	--	1	--
1 *	10202	Loader base – CHW version (with fenders, hitch frame)	--	--	1
2	40101	Battery box	1	--	--
2	40102	Battery box		1	1
3	40103	Fuel tank	1	--	--
3	40104	Fuel tank	--	1	1
3a	31517	Fuel cap – specify ‘gas’	1	1	1
3b	40123	Fuel tank strap	2	2	2
3c	31043	1/2” flat washer	4	4	4
3d	31121	1/2” lock washer	4	4	4
3e	31118	1/2” hex nut	4	4	4
4 *	40105	Adjustable leg	1	1	1
5 *	31126	#2 bridge pin	2	2	2
6 *	31125	3/8 x 4-1/2” clevis pin	2	2	2
7	31128	Impeller key 1/2 x 5-1/4”	1	--	--
7	31129	Impeller key 5/8 x 4-1/4”	--	1	--
7	31275	Impeller key 5/8 x 5-1/4”	--	--	1
8	21519	Impeller	1	--	--
8	21520	Impeller – specify ‘gas’	--	1	--
8	21532	Impeller – specify ‘gas’	--	--	1
9	31326	5/8” lock washer	1	--	--
10	31328	5/8-11 x 2-1/2” impeller bolt	1	--	--
10	31329	1-14 x 3” impeller bolt & lock washer	--	1	--
10	31276	1-8 x 3” impeller bolt & lock washer	--	--	1
11	10179	Blower housing (complete w/bolt-in wear liner)	1	--	--
11	10180	Blower housing (complete w/bolt-in wear liner)	--	1	--
11	10181	Blower housing (complete w/bolt-in wear liner)	--	--	1
12	31122	1/2 x 1-1/4” hex bolt	18	18	18
13	31121	1/2” lockwasher	18	18	18
14	31118	1/2” hex nut	18	18	18
15	31123	3/8 x 1-1/4” hex bolt	2	2	2
16	31115	3/8” lock washer	2	2	2
17	31116	3/8” hex nut	2	2	2
18	20160	18” intake flange	1	1	--
18	20179	18” intake flange	--	--	1
18 *	34059	18” intake flange – 90 degree	1	1	1
19	31121	1/2” lock washer	16	16	16
20	31118	1/2” hex nut	16	16	16
21	34025	18” hose clamp	4	4	4
22	34023	18” x 8’ intake hose	1	1	1
23	20158	18” intake nozzle	1	1	1
<u>ITEMS NOT SHOWN</u>					
	70832	Replacement housing liner (w/hardware) – specify model	1	1	1
	39023	65 HP Wisconsin engine	1	--	--
	39030	65 HP Continental engine	--	1	--

<u>REF.</u> <u>NO.</u>	<u>PART</u> <u>NO.</u>	<u>DESCRIPTION</u>	<u>6001/</u> <u>6001CHW*</u>	<u>6800/</u> <u>6800CHW*</u>	<u>9800/</u> <u>9800CHW*</u>
--Asterisk (*) in ref no. column denotes part used on CHW models only--					
	39031	130 HP Ford engine	--	--	1
	31824	5/8-11 x 2-1/2 hex bolt (engine mount bolt)	4	--	--
	31326	5/8 lock washer	4	--	--
	31489	5/8 flat washer	4	--	--
	31825	5/8-11 nut plate	4	--	--
	31123	3/8-16 x 1-1/4" hex bolt (engine mount bolt)	--	12	--
	31034	3/8 flat washer	--	24	--
	31115	3/8 lock washer	--	12	--
	31116	3/8-16 hex nut	--	12	--
	31461	1/2-13 x 2-1/2" hex bolt (engine mount bolt)	--	--	4
	31121	1/2" lock washer	--	--	4
	31043	1/2" flat washer	--	--	4
	31737	1/2-13 nut plate	--	--	4
	36175	PTO clutch assembly (451)	--	1	--
	36177	PTO clutch assembly (510)	--	--	1
	36124	Pilot bearing	--	1	--
	36273	Pilot bearing	--	--	1
	31595	3/8-16 X 1-3/4" hex bolt (ring gear to engine)	--	8	8
	31115	3/8" lock washer	--	8	8
	31742	10-8.8 X 30 metric hex bolt (PTO-to-engine)	--	12	12
	31319	7/16 lock washer	--	12	12
	23161	PTO clutch engagement lever	--	1	--
	23163	PTO clutch engagement lever	--	--	1
	31828	Brass fuel tank fitting – 1/4" IPT to 1/4" Farrell	1	1	1
	31830	Fuel tank plug – 3/8" IPT	2	2	2
	31753	1/4" copper fuel line – 10-1/4" length- into tank	1	1	1
	31753	1/4" copper fuel line – 32" length – into engine	1	--	--
	31827	Brass fitting – 90 degree – 1/8" IPT to 1/4" Farrell	1	--	--
	31755	1/4" rubber fuel line – 4" length	2	--	--
	27343	Fuel filter	1	--	--
	31755	1/4" rubber fuel line – 46" length	--	1	--
	31755	1/4" rubber fuel line – 29" length	--	--	1
	34041	1/2" hose clamp	4	2	2
	39021	Battery	1	1	1
	31763	Battery cable – 16S	2	2	1
	31826	Battery cable – 48S	--	--	1
*	31831	Wiring harness	1	1	--
*	31832	Wiring harness	--	--	1
*	31644	Wiring harness clip – large	6	6	6
*	31823	Wiring harness clip – small	2	2	2
*	31639	Taillight	2	2	2
*	31638	Taillight mounting ring	2	2	2
*	31562	#12 x 3/4" self tap screw (tail light ground)	2	2	2
*	31751	License light assembly	1	1	1
*	31752	License plate bracket	1	1	1
*	31444	1/4-20 x 1 hex bolt (license light/brkt bolt)	2	2	2
*	31013	1/4 lock washer	2	2	2
*	31030	1/4-20 hex nut	2	2	2

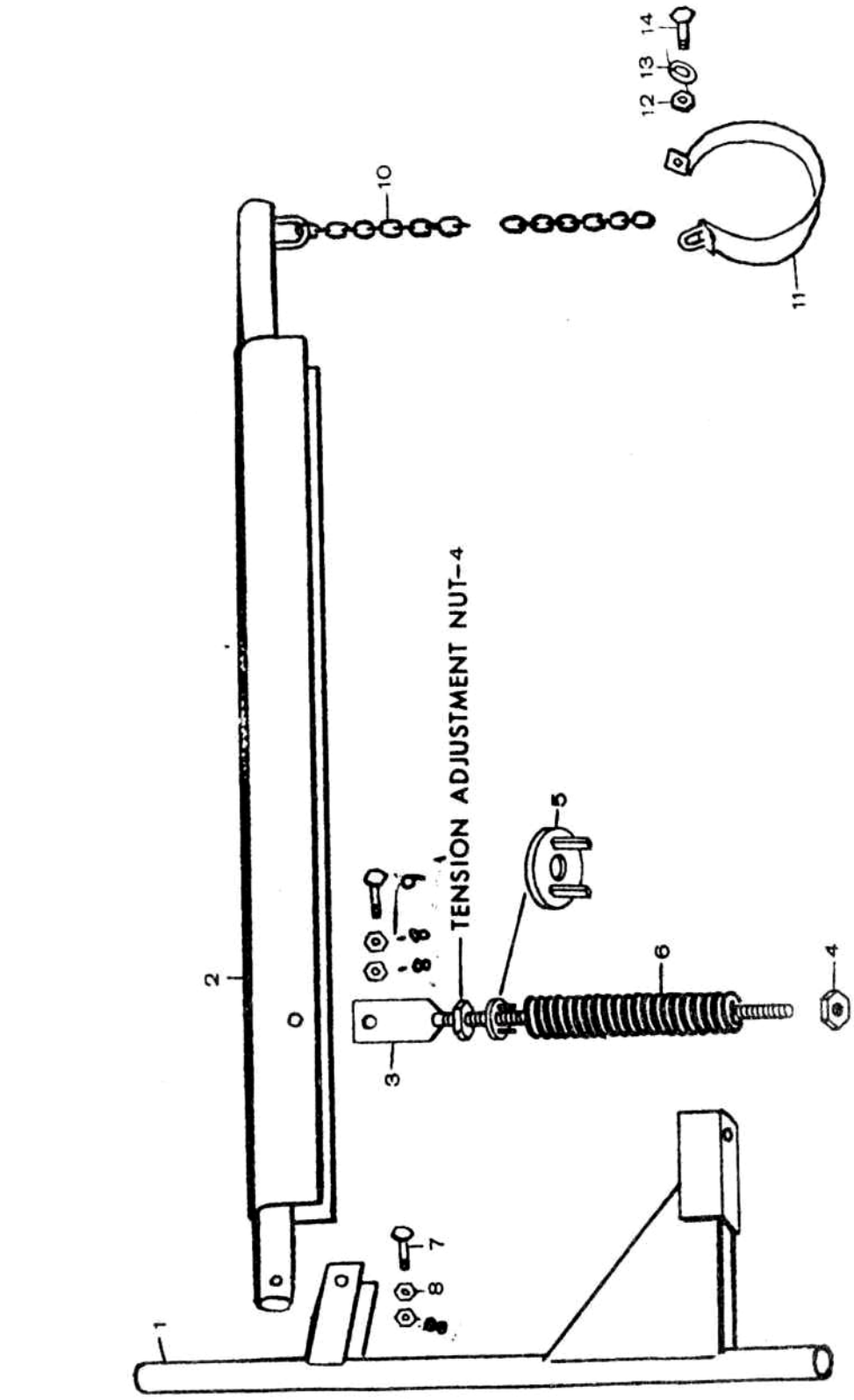
ALL SPECIFICATIONS SUBJECT TO CHANGE WITHOUT NOTICE



PARTS LIST NO. 5723**DISCHARGE/TRAILER ASSEMBLY**

<u>REF.</u> <u>NO.</u>	<u>PART</u> <u>NO.</u>	<u>DESCRIPTION</u>	<u>6001/</u> <u>6001CHW*</u>	<u>6800/</u> <u>6800CHW*</u>	<u>9800/</u> <u>9800CHW*</u>
--Asterisk (*) next to ref no. denotes part used on CHW models only--					
1	24624	Stack, elbow and sq. to round assy.	1	1	--
1	24625	Stack, elbow and sq. to round assy.	--	--	1
2	31512	1/2 x 1-3/4" hex bolt	12	12	12
3	31119	1/2" flat washer	24	24	24
4	31121	1/2" lock washer	12	12	12
5	31118	1/2" hex nut	12	12	12
6	34049	Squeeze ring - 12"	1	1	1
7	34026	12" x 6' Metal exhaust hose	1	1	1
8 *	33049	Axle and hubs	1	--	--
8 *	33050	Axle and hubs	--	1	--
8 *	33124	Axle and hubs	--	--	1
9 *	31820	Axle bolt plate	2	2	2
10 *	31121	1/2" lock washer	4	4	4
11 *	31118	1/2" hex nut	4	4	4
12 *	33051	Tire & rim 15"	2	2	2
13 *	31148	Lug nut	10	10	10
14 *	38004	Draw bar	1	1	1
15 *	31821	1/2-13 x 7" hex bolt	1	1	1
16 *	31119	1/2" flat washer	4	4	4
17 *	31406	1/2-13 lock nut	1	1	1
18 *	31641	Safety chain	2	2	2
19 *	31122	1/2-13 x 1-1/4" hex bolt	4	4	4
20 *	31121	1/2" lock washer	4	4	4
21 *	31118	1/2" hex nut	4	4	4
22 *	33173	Dual-wheel support jack	1	1	1
23 *	31114	3/8-16 x 1 hex bolt	4	4	4
24 *	31115	3/8" lock washer	4	4	4
25 *	31116	3/8-16 hex nut	4	4	4

ALL SPECIFICATIONS SUBJECT TO CHANGE WITHOUT NOTICE



PARTS LIST NO. 5722

HOSE SUPPORT BOOM

<u>REF. NO.</u>	<u>PART NO.</u>	<u>DESCRIPTION</u>	<u>6001/ 6001CHW</u>	<u>6800/ 6800CHW</u>	<u>9800/ 9800CHW</u>
1	40107	Boom vertical member	1	1	1
2	40106	Boom horizontal member	1	1	1
3	40108	Threaded spring guide	1	1	1
4	31110	3/4" nut	3	3	3
5	31370	3/4" flat washer	2	2	2
6	31332	Boom coil spring	1	1	1
7	31333	1/2 x 3" hex bolt	1	1	1
8	31476	1/2" lock nut	2	2	2
9	31333	1/2 x 3" hex bolt	1	1	1
10	31140	Boom chain	1	1	1
11	40112	Hose support band – 18"	1	1	1
12	31141	5/16" x 3 1/2" hex bolt	1	1	1
13	31142	5/16" hex nut	2	2	2

ALL SPECIFICATIONS SUBJECT TO CHANGE WITHOUT NOTICE