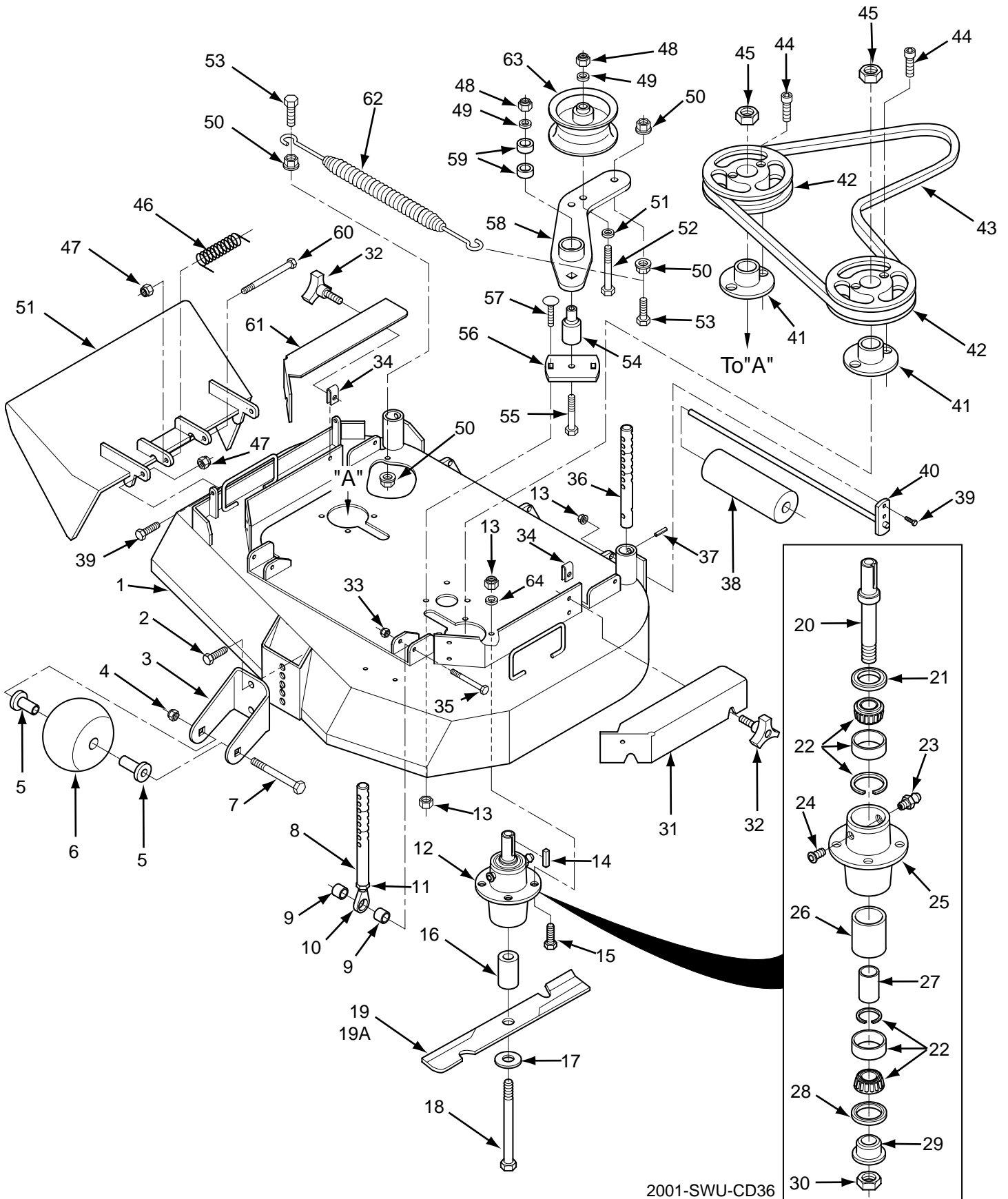


## 36" CUTTER DECK



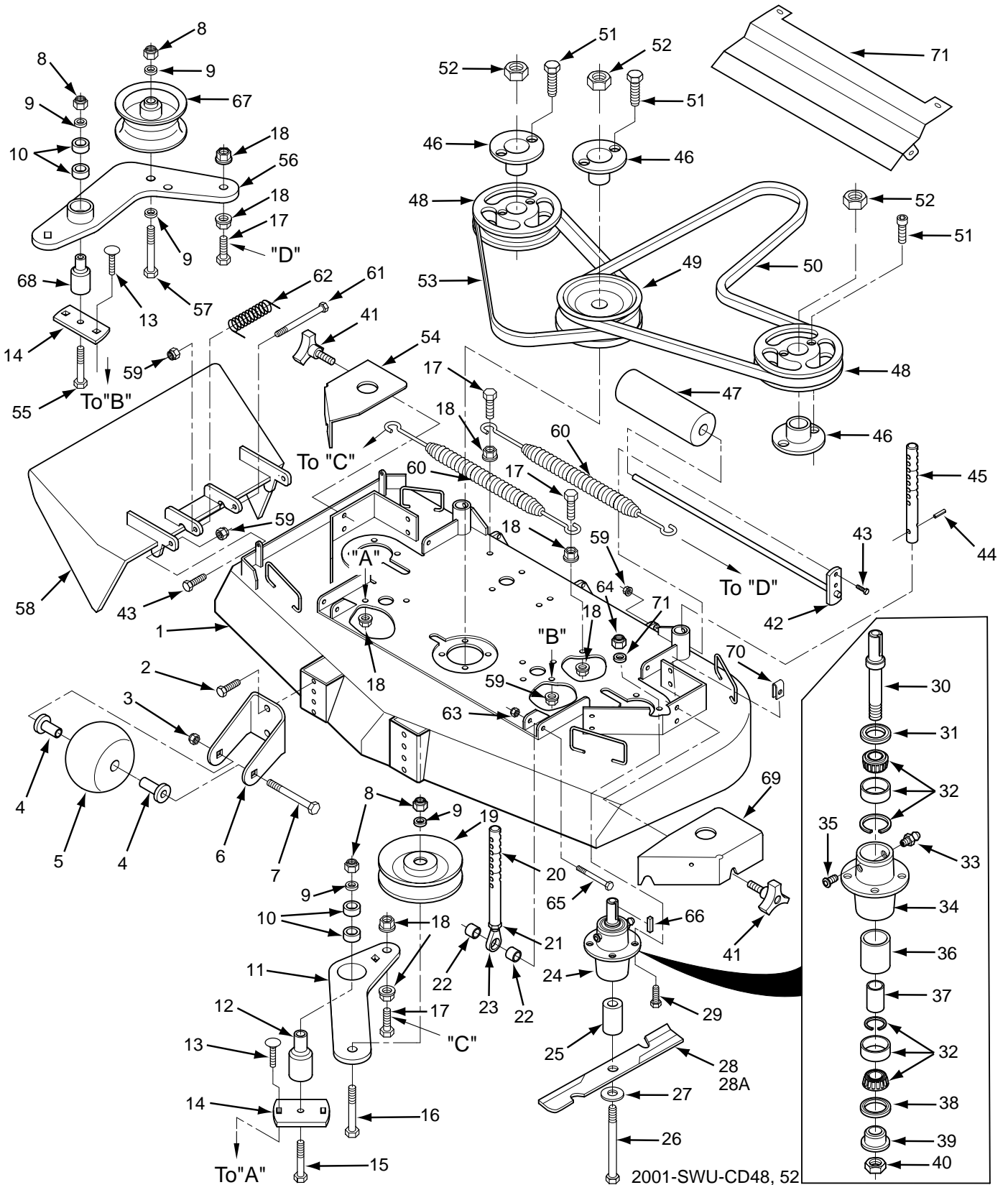
2001-SWU-CD36

## 36" CUTTER DECK

| Ref. Part<br>No. Number | Description | Ref. Part<br>No. Number                       | Description |           |  |
|-------------------------|-------------|---|-------------|-----------|--|
| 1                       | 461363      | Cutter Deck (Includes Decals)                 | 33          | 04021-09  | Nut, 3/8-16 Elastic Stop                     |
| 2                       | 04017-27    | Capscrew, 3/8-16 x 1.0"Serrated Flange Hex Hd | 34          | 04110-03  | U-Nut, 3/8-16                                |
| 3                       | 422478      | Bracket, Anti-Scalp Wheel                     | 35          | 04001-31  | Bolt, Hex Head 3/8-16 x 2.50"                |
| 4                       | 04021-05    | Lock Nut, 3/8-16 Center Lock                  | 36          | 43515     | Pin, Deck Adj. Rear                          |
| 5                       | 48100-15    | Bushing, 376 ID Oilite                        | 37          | 04060-08  | Pin, Sloted Spring 3/16 x 1.50"              |
| 6                       | 481632      | Wheel, Anti-Scalp (Incl. Item 5)              | 38          | 48038     | Guide, Roller                                |
| 7                       | 04003-26    | Bolt, Carriage 3/8-16 x 4.0"                  | 39          | 04001-12  | Bolt, Hex Head 5/16-18 x 1.75" Front         |
| 8                       | 481838      | Pin Assy., Deck Adj. (Incl. Items 10 & 11)    | 39          | 04001-11  | Bolt, Hex Head 5/16-18 x 1.50" Rear          |
| 9                       | 43512       | Spacer, Deck Adjustment Pin                   | 40          | 451118    | Roller Shaft                                 |
| 10                      | 481539      | Rod End, Male 3/8-24 RH Thread                | 41          | 48926     | Tapered Hub                                  |
| 11                      | 04020-25    | Nut, 3/8-24 Jam                               | 42          | 48924     | Pulley                                       |
| 12                      | 46631       | Spindle Assembly                              | 43          | 481880    | Belt, Cutter Deck                            |
| 13                      | 04021-10    | Nut, 5/16-18 Elastic Stop                     | 44          | 04015-14  | Capscrew, Socket Head. 1/4-20 x 1.375"       |
| 14                      | 04063-08    | Key, 1/4 x 1/4 x 2.0"                         | 45          | 04020-09  | Hex Nut, 5/8-11                              |
| 15                      | 04001-10    | Bolt, Hex Head 5/16-18 x 1.50"                | 46          | 482245    | Spring, Chute Return                         |
| 16                      | 43309       | Spacer, Spindle                               | 47          | 04021-10  | Hex Nut, 5/16-18 Elastic Stop                |
| 17                      | 04040-10    | Flatwasher, 5/8 W                             | 48          | 04021-09  | Hex Nut, 3/8-16 Elastic Stop                 |
| 18                      | 04001-41    | Bolt, Hex Head 5/8-11 x 9.50"                 | 49          | 04043-04  | Flatwasher, 3/8 (.938 x .391 x .105) Grade 8 |
| 19                      | 481707      | Cutter Blade, 18"                             | 50          | 04019-04  | Nut, 3/8-16 Serrated Flange                  |
| 19A                     | 48185       | Cutter Blade, 18" Hi Lift                     | 51          | 461291    | Discharge Chute, Nylon                       |
| 20                      | 43299       | Spindle Shaft                                 | 52          | 04001-51  | Capscrew, Hex Head 3/8-16 x 3.75"            |
| 21                      | 481024      | Seal, Cutter Spindle Top                      | 53          | 04001-136 | Capscrew, Hex Head 3/8-16 x 1.50" Grade 8    |
| 22                      | 481022      | Tapered Bearing Set (Two Bearings W/Race)     | 54          | 43510     | Pivot, Idler - Long                          |
| 23                      | 48114-04    | Grease Fitting                                | 55          | 04001-62  | Capscrew, Hex Head 3/8-16 x 3.25"            |
| 24                      | 48677       | Relief Fitting, Cutter Spindle                | 56          | 422713    | Base, Idler Pivot                            |
| 25                      | 43294       | Spindle Housing                               | 57          | 04003-04  | Bolt, Carriage 5/16-18 x 1.0"                |
| 26                      | 43312       | Spacer, Outside                               | 58          | 461174    | Idler Arm Weldment                           |
| 27                      | 43296       | Spacer, Inside                                | 59          | 48224     | Ball Bearing                                 |
| 28                      | 481025      | Seal, Cutter Spindle Bottom                   | 60          | 04001-154 | Bolt, Hex Head 5/16-18 x 4.75"               |
| 29                      | 43297       | Spindle Bushing                               | 61          | 422763    | Belt Cover, RH                               |
| 30                      | 481035      | Nut, Spindle                                  | 62          | 481597    | Spring, Deck Idler                           |
| 31                      | 422762      | Belt Cover, LH                                | 63          | 481962    | Pulley, Idler                                |
| 32                      | 481625-01   | Wing Nut, 3/8-16                              | 64          | 04030-03  | Lockwasher, 5/16 (.317 x .586 x .078)        |

\* Common hardware which should be purchased locally. All bolts are Grade 5 plated, all other fasteners zinc plated.

## 48" & 52" CUTTER DECKS

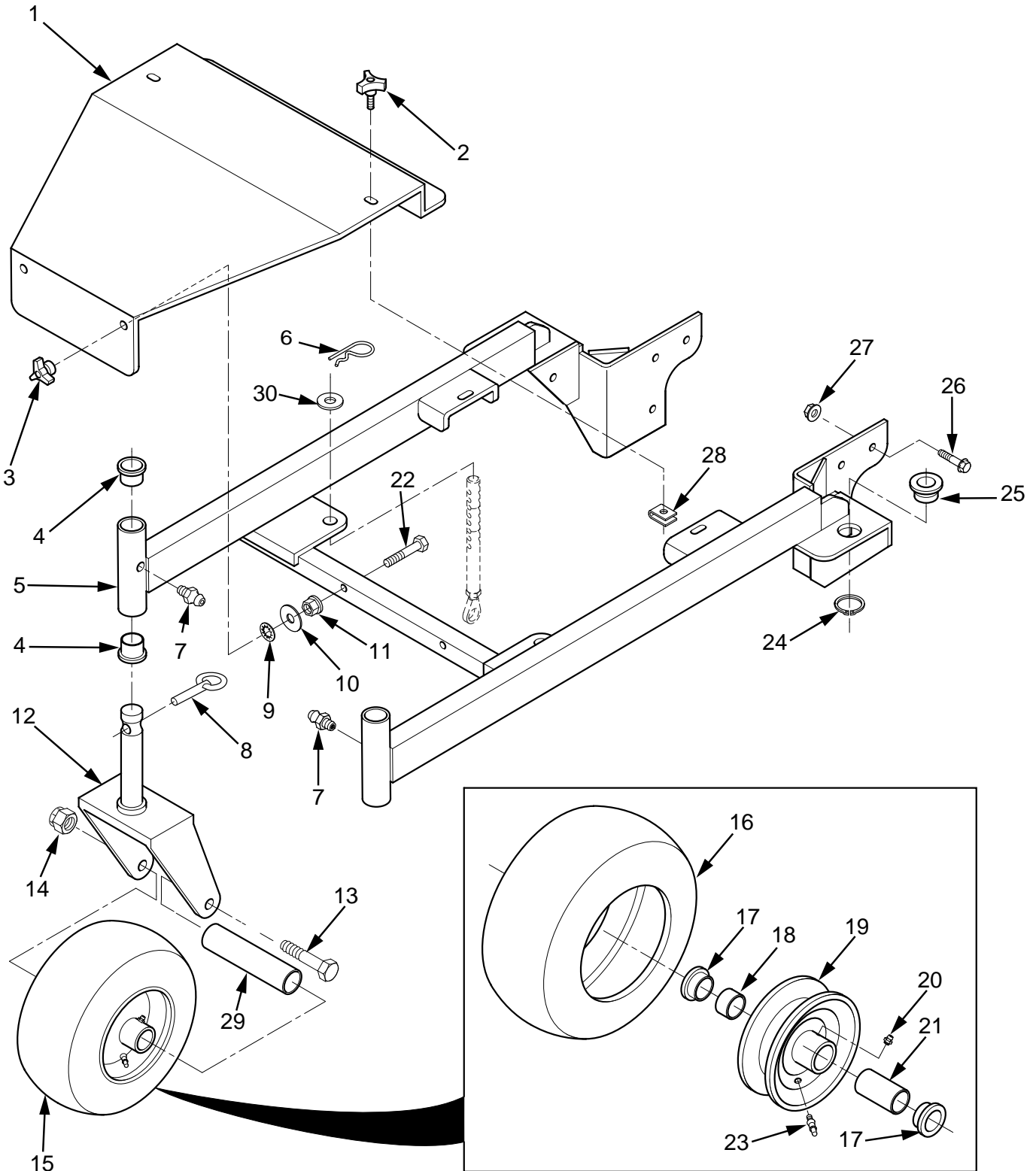


## 48" & 52" CUTTER DECKS

| Ref. Part<br>No. No. | Description   | Ref. Part<br>No. No. | Description                                    |
|----------------------|---|----------------------|--|
| 1                    | 461368 Cutter Deck With Decals 48"                    | 35                   | 48677 Relief Fitting, Cutter Spindle           |
|                      | 461373 Cutter Deck With Decals 52"                    | 36                   | 43312 Spacer Outside                           |
| 2                    | 04017-27 Capscrew, 3/8-16 x 1.0" Serrated Flange      | 37                   | 43296 Spacer, Inside                           |
| 3                    | 04021-05 Lock Nut, 3/8-16 Center Lock                 | 38                   | 481025 Seal, Cutter Spindle - Bottom           |
| 4                    | 48100-15 Bushing, 376 ID Oilite                       | 39                   | 43297 Spindle Bushing                          |
| 5                    | 481632 Wheel, Anti-Scalp                              | 40                   | 481035 Nut, Spindle                            |
| 6                    | 422478 Bracket, Anti-Scalp Wheel                      | 41                   | 481625-01 Wing Nut, 3/8-16                     |
| 7                    | 04003-26 Bolt, Carriage 3/8-16 x 4.0"                 | 42                   | 451118 Roller Shaft                            |
| 8                    | 04021-09 Hex Nut, 3/8-16 Elastic Stop                 | 43                   | 04001-12 Bolt, Hex Head 5/16-18 x 1.0" Front   |
| 9                    | 04043-04 Flatwasher, 3/8 (.938 x .391 x .105) Grade 8 | 43                   | 04001-11 Bolt, Hex Head 5/16-18 x 1.50" Rear   |
| 10                   | 48224 Ball Bearings                                   | 44                   | 04060-08 Pin, Slotted Spring 3/16 x 1.50"      |
| 11                   | 461175 Idler Arm RH                                   | 45                   | 43515 Pin, Deck Adjustment Rear                |
| 12                   | 43503 Pivot, Idle - Short                             | 46                   | 48926 Tapered Hub                              |
| 13                   | 04003-04 Bolt, Carriage 5/16-18 x 1.0"                | 47                   | 48038 Guide, Roller                            |
| 14                   | 422713 Base, Idler Pivot                              | 48                   | 48924 Pulley                                   |
| 15                   | 04001-31 Capscrew, Hex Head 3/8-16 x 2.50"            | 49                   | 48923 Pulley, 5.75 Double Groove               |
| 16                   | 04001-45 Capscrew, Hex Head 3/8-16 x 2.0"             | 50                   | 481922 Belt, Deck Drive                        |
| 17                   | 04001-136 Capscrew, Hex Head 3/8-16 x 1.50" Grade 8   | 51                   | 04015-14 Capscrew, Socket Head 1/4-20 x 1.375" |
| 18                   | 04019-04 Nut, 3/8-16 Serrated Flange                  | 52                   | 04020-09 Hex Nut, 5/8-11                       |
| 19                   | 48181 Pulley, Idler                                   | 53                   | 48087 Belt, RH Blade Drive 48"                 |
| 20                   | 481838 Pin Assembly (Incl. 21 & 23)                   | 53                   | 48285 Belt, RH Blade Drive 52"                 |
| 21                   | 04020-25 Nut, 3/8-24 Jam                              | 54                   | 422745 Belt Cover, RH                          |
| 22                   | 43512 Spacer, Deck Adjustment Pin                     | 55                   | 04001-62 Capscrew, Hex Head 3/8-16 x 3.25"     |
| 23                   | 481539 Rod End, Male 3/8-24                           | 56                   | 461174 Idler Arm Weldment                      |
| 24                   | 46631 Spindle Assembly                                | 57                   | 04001-51 Capscrew, Hex Head 3/8-16 x 3.75"     |
| 25                   | 43309 Spacer, Spindle                                 | 58                   | 461291 Discharge Chute, Nylon                  |
| 26                   | 04001-41 Bolt, Hex Head 5/8-11 x 9.50"                | 59                   | 04019-03 Nut, 5/16-18 Serrated Flange          |
| 27                   | 04040-10 Flatwasher, 5/8 W                            | 60                   | 481597 Spring, Deck Idler                      |
| 28                   | 481706 Cutter Blade 16-1/2" 48"                       | 61                   | 04001-154 Bolt, Hex Head 5/16-18 x 4.75"       |
| 28                   | 481707 Cutter Blade 18" 52"                           | 62                   | 482245 Spring, Chute Return                    |
| 28A                  | 481710 Cutter Blade 16-1/2" Hi Lift 48"               | 63                   | 04021-09 Nut, 3/8-16 Elastic Stop              |
| 28A                  | 481711 Cutter Blade 18" Hi Lift 52"                   | 64                   | 04021-10 Nut, 5/16-18 Elastic Stop             |
| 29                   | 04001-10 Bolt, Hex Head 5/16-18 x 1.50"               | 65                   | 04001-31 Bolt, Hex Head 3/8-16 x 2.50"         |
| 30                   | 43298 Spindle Shaft                                   | 66                   | 04063-08 Key, 1/4 x 1/4 x 2.0"                 |
| 31                   | 481024 Seal, Cutter Spindle - Top                     | 67                   | 481962 Pulley, Idler                           |
| 32                   | 481022 Tapered Bearings (Two)                         | 68                   | 43510 Pivot, Idler - Long                      |
| 33                   | 48114-04 Grease Fitting                               | 69                   | 422744 Belt Cover LH                           |
| 34                   | 43294 Spindle Housing                                 | 70                   | 04110-03 U-Nut, 3/8-16                         |
|                      |   | 71                   | 04030-03 Lockwasher, 5/16 (.317 x .586 x .078) |

\* Common hardware which should be purchased locally. All bolts are Grade 5 plated, all other fasteners zinc plated.

## 36" DECK FRAME



SWU99DF36

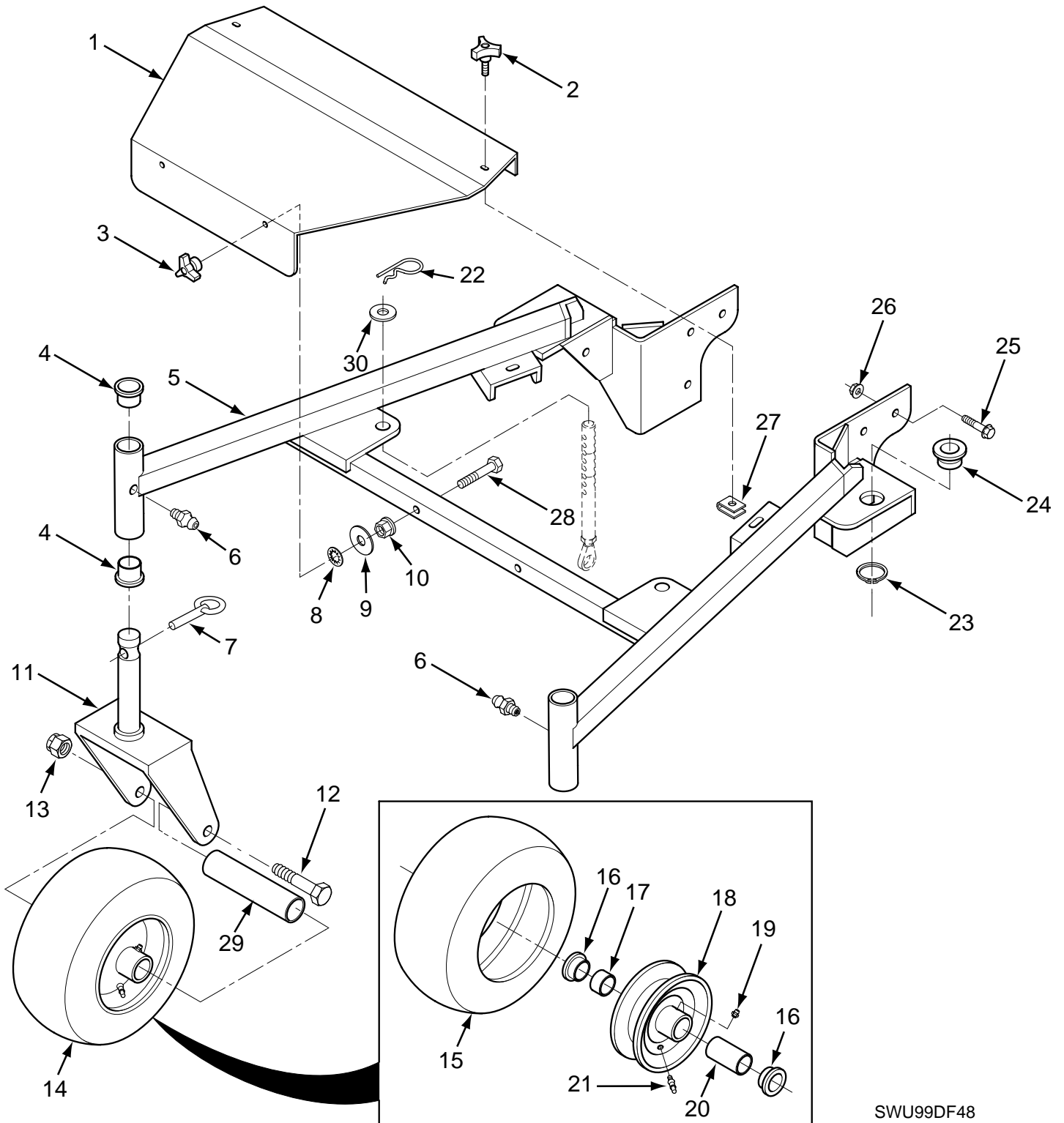
## 36" DECK FRAME

| Ref. Part<br>No. No. | Description                                     |
|----------------------|---|
| 1                    | 461170 Belt Cover With Decal                    |
| 2                    | 481625-01 Knob With Stud                        |
| 3                    | 04029-03 Knob, Deck Cover Mounting              |
| 4                    | 48100-08 Bushing, Caster                        |
| 5                    | 451097 Frame Weldment, Deck Mounting - 36"      |
| 6                    | 04062-04 Hair Pin Cotter, .177 x 3.25"          |
| 7                    | 48114-04 Grease Fitting Str. 1/4-28 Self Tap    |
| 8                    | 04066-01 Quick Pin .438 Dia                     |
| 9                    | 04024-02 Nut, Push-On - 3/8 Thd.                |
| 10                   | 04041-07 Flatwasher, 3/8 - (.391 x .938 x .105) |
| 11                   | 04019-04 Nut, 3/8-16 Serrated Flange Hex Head   |
| 12                   | 45325 Yoke, Caster Wheel                        |
| 13                   | 04001-80 Capscrew, Hex Head 1/2-13 x 6.50"      |
| 14                   | 04021-07 Locknut, 1/2-13 Elastic Stop           |
| 15                   | 481843 Wheel Assembly, Caster                   |
| 16                   | 481845 Tire, 11 x 4.00-5                        |
| 17                   | 481770 Retainer                                 |
| 18                   | 481846 Roller Bearing                           |
| 19                   | 481844 Rim, 5.0 x 2.75 With Zerk & Valve        |
| 20                   | 48114-05 Grease Fitting Str.1/4-28              |
| 21                   | 481769 Roller Bearing .625 x 3.25"              |
| 22                   | 04001-46 Capscrew, Hex Head 3/8-16 x 2.25"      |
| 23                   | ** Tire Valve, Purchase Locally                 |
| 24                   | 04050-16 Retaining Ring 1.50 Ext.               |
| 25                   | 43530 Bushing, Deck Adjustment Pin              |
| 26                   | 04017-42 Capscrew, Hex Head 7/16-14 x 1.0"      |
| 27                   | 04019-05 Nut, 7/16-14 Serrated Flange Hex       |
| 28                   | 04110-03 U-Nut, 3/8-16                          |
| 29                   | 43511 Sleeve, Caster Wheel                      |
| 30                   | 04040-10 Flatwasher, 5/8 - (.688 x 1.75 x .134) |

\* Common hardware which should be purchased locally. All bolts are Grade 5 plated, all other fasteners zinc plated.

\*\* Purchase Locally.

## 48" & 52" DECK FRAME



SWU99DF48

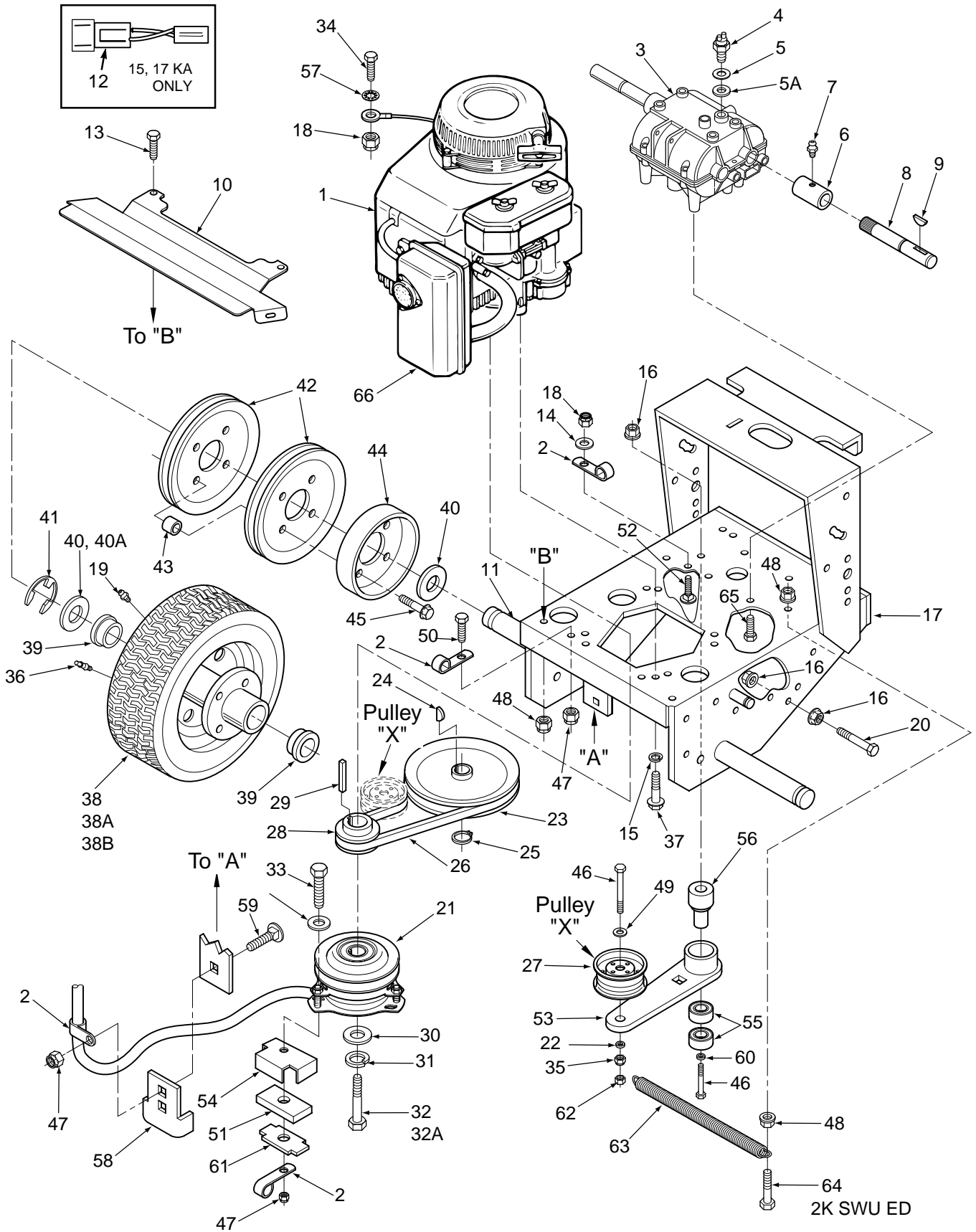
## 48" & 52" DECK FRAME

| Ref. Part<br>No. No. | Description                                     |
|----------------------|---|
| 1                    | 461171 Belt Cover With Decal - 48"              |
| 1                    | 461279 Belt Cover With Decal - 52"              |
| 2                    | 481625-01 Knob With Stud                        |
| 3                    | 04029-03 Knob, Deck Cover Mounting              |
| 4                    | 48100-08 Bushing, Caster                        |
| 5                    | 451098 Frame Weldment, Deck Mounting - 48"      |
| 5                    | 451155 Frame Weldment, Deck Mounting - 52"      |
| 6                    | 48114-04 Grease Fitting Str. 1/4-28 Self Tap    |
| 7                    | 04066-01 Quick Pin, .438 Dia                    |
| 8                    | 04024-02 Nut, Push-On - 3/8 Thd.                |
| 9                    | 04041-07 Flatwasher, 3/8 (.391 x .938 x .105)   |
| 10                   | 04019-04 Nut, 3/8-16 Serrated Flange Hex Head   |
| 11                   | 45325 Yoke, Caster Wheel                        |
| 12                   | 04001-80 Capscrew, Hex Head 1/2-13 x 6.50"      |
| 13                   | 04021-07 Locknut, 1/2-13 Elastic Stop           |
| 14                   | 481843 Wheel Assembly, Caster                   |
| 15                   | 481845 Tire, 11 x 4.00-5                        |
| 16                   | 481770 Retainer                                 |
| 17                   | 481846 Roller Bearing                           |
| 18                   | 481844 Rim, 5.0 x 2.75 With Zerk & Valve        |
| 19                   | 48114-05 Grease Fitting Str. 1/4-28             |
| 20                   | 481769 Roller Bearing .625 x 3.25"              |
| 21                   | * Tire Valve, Purchase Locally                  |
| 22                   | 04062-04 Hair Pin Cotter, .177 x 3.25"          |
| 23                   | 04050-16 Retaining Ring 1.50 Ext.               |
| 24                   | 43530 Bushing, Deck Adjustment Pin              |
| 25                   | 04017-42 Capscrew, Hex Head 7/16-14 x 1.0"      |
| 26                   | 04019-05 Nut, 7/16-14 Serrated Flange Hex       |
| 27                   | 04110-03 U-Nut, 3/8-16                          |
| 28                   | 04001-46 Capscrew, Hex Head 3/8-16 x 2.25"      |
| 29                   | 43511 Sleeve, Caster Wheel                      |
| 30                   | 04040-10 Flatwasher, 5/8 - (.688 x 1.75 x .134) |

\* Common hardware which should be purchased locally. All bolts are Grade 5 plated, all other fasteners zinc plated.



## ENGINE DECK



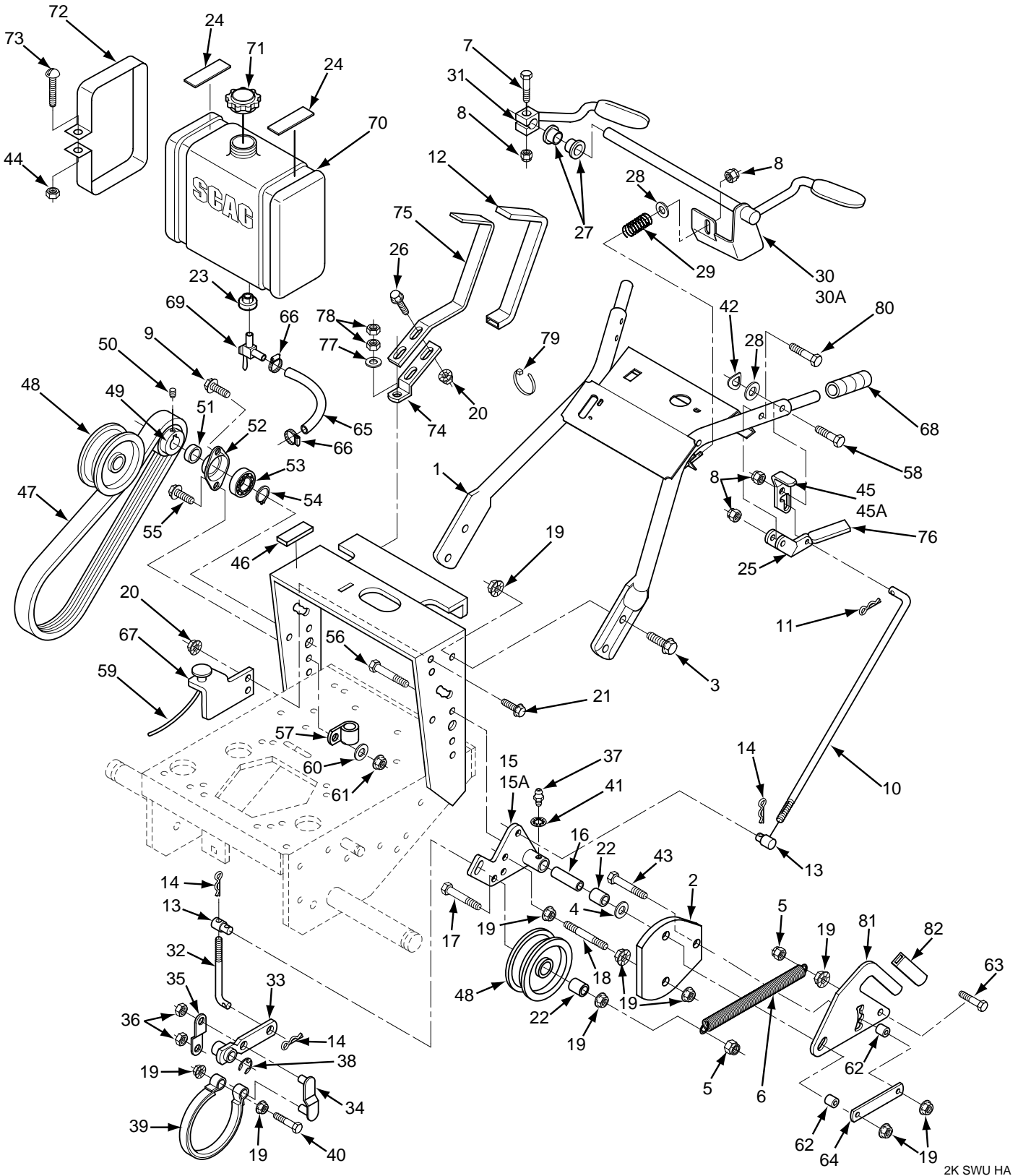
## ENGINE DECK

| Ref. Part<br>No. No. | Description | Ref. Part<br>No. No.                               | Description |            |  |
|----------------------|-------------|--|-------------|------------|--|
| 1                    | 482144      | Engine,15HP Kawasaki (FH451V - AS02)               | 41          | 04050-08   | Retaining Ring, 1" Ext.- "E"                     |
| 1                    | 481563      | Engine, 17HP Kawasaki (FH500V)                     | 42          | 48200      | Pulley, Wheel Drive                              |
| 2                    | 48030-09    | Cable Clamp  | 43          | 43088      | Spacer, Wheel Pulley                             |
| 3                    | 481580      | Transmission, 5-speed (Peerless 700-070, 9 spline) | 44          | 48209      | Brake Drum                                       |
| 4                    | 48231       | Neutral Safety Switch                              | 45          | 04017-19   | Bolt, 5/16-18 x 1-1/2" Serrated Flange           |
| 5                    | 48122-01    | Fibre Washer, thin                                 | 46          | 04001-22   | Capscrew, Hex Head 3/8-16 x 2.75"                |
| 5A                   | 48122-02    | Fibre Washer, thick                                | 47          | 04021-10   | Nut, 5/16-18 Elastic Stop                        |
| 6                    | 481581      | Coupler, Jackshaft                                 | 48          | 04019-03   | Nut, 5/16-18 Serrated Flange Hex Head            |
| 7                    | 48114-05    | Grease Fitting, straight 1/4-28                    | 49          | 04041-07   | Flatwasher, 3/8 (.391 x .938 x .105)             |
| 8                    | 481582      | Jackshaft (fits SW32,36 & 48)                      | 50          | 04001-08   | Bolt, 5/16-18 x .75" Hex Head                    |
| 9                    | 04063-09    | Key, Hi-Pro #9                                     | 51          | 481716     | Rubber Pad, Clutch Stop                          |
| 10                   | 422737      | Heat Shield, 36" & 48"                             | 52          | 04003-02   | Bolt, 1/4-20 x .75" Carriage                     |
| 10                   | 422883      | Heat Shield, 52"                                   | 53          | 461169     | Idler Arm, Trans. Drive                          |
| 11                   | 43085       | Wheel Axle (SW36,48) **                            | 54          | 422533     | Backing Plate                                    |
| 12                   | 481717      | Wire Harness Adaptor, 17KA                         | 55          | 48224      | Ball Bearing                                     |
| 13                   | 04017-16    | Bolt, 5/16-18 X .75" Serrated Flange Hex Head      | 56          | 43504      | Hub Idler Pivot                                  |
| 14                   | 04040-14    | Flat Washer 1/4" (.312 X .75 X .065)               | 57          | 04031-09   | Lock Washer Internal Tooth                       |
| 15                   | 04030-03    | Lock Wshr. 5/16"                                   | 58          | 421370     | Anti Rotation Bracket                            |
| 16                   | 04019-04    | Nut, 3/8-16 Serrated Flange                        | 59          | 04003-04   | Bolt, 5/16-18 x 1" Carriage                      |
| 17                   | 46765       | Engine Deck  | 60          | 04043-04   | Flatwasher, 3/8 (.391 x .938 x .105 HD) Grade 8  |
| 18                   | 04021-08    | Nut, 1/4-20 Elastic Stop                           | 61          | 422534     | Plate, Backing                                   |
| 19                   | 48114-04    | Grease Fitting, 1/4-28 Self Tap                    | 62          | 04021-05   | Nut, 3/8-16 Elastic Stop                         |
| 20                   | 04001-51    | Bolt, 3/8-16 x 3-3/4" Hex Head                     | 63          | 481835     | Spring, Return Drive Idler                       |
| 21                   | 461073      | Electric Clutch (Ogura)                            | 64          | 04001-02   | Bolt, Hex Head 3/8-16 x 2.75"                    |
| 22                   | 04041-07    | Washer, 3/8" (.391 x .938 x .105)                  | 65          | 04017-16   | Capscrew, 5/16-18 x .75 Serrated Flange Hex Head |
| 23                   | 48197       | Pulley, Transmission Input                         | 66          | 12-068-64  | Muffler, Kohler (Purchase from Kohler Only)      |
| 24                   | 04063-07    | Key, Woodruff #9                                   | 66          | 49070-7002 | 17KA Muffler (Purchase from Kawasaki Only)       |
| 25                   | 04050-09    | Retaining Ring, 5/8" Ext, Basic                    |             |            |  |
| 26                   | 48203       | Belt, Transmission Drive                           |             |            |  |
| 27                   | 481048      | Idler Pulley, Transmission                         |             |            |  |
| 28                   | 481666      | Pulley, Traction Drive                             |             |            |  |
| 29                   | 04063-19    | Key, 1/4 x 1/4 x 3/4"                              |             |            |  |
| 30                   | 04041-28    | Flat Washer, 7/16" Special                         |             |            |  |
| 31                   | 04030-05    | Lock Washer,7/16"                                  |             |            |  |
| 32                   | 04001-101   | Bolt, 7/16-20 x 2-1/2" Hex Head (Kohler Only)      |             |            |  |
| 32A                  | 04002-15    | Cpsrw, M10-1.5 x 55 Metric Hex Hd (Kawasaki)       |             |            |  |
| 33                   | 04001-12    | Bolt, 5/16-18 x 1-3/4" Hex Head                    |             |            |  |
| 34                   | 04002-07    | Bolt, M8-1.25 x 1.0                                |             |            |  |
| 35                   | 04021-09    | Nut, 3/8-16 Elastic Stop                           |             |            |  |
| 36                   | *           | Valve Stem, Purchase Locally                       |             |            |  |
| 37                   | 04018-01    | Bolt, M8-1.25 x M25 Metric Hex Hd                  |             |            |  |
| 38                   | 481841      | Wheel Assembly (incl. 38A-38B)                     |             |            |  |
| 38A                  | 481842      | Tire, 15 x 6.0-6, Turf Saver                       |             |            |  |
| 38B                  | 481859      | Rim & Bearing Assembly (incl. 39)                  |             |            |  |
| 39                   | 481858      | Wheel Brng. NWC (OD 1.984 - 1.980)                 |             |            |  |
| 40                   | 04042-05    | Washer, 1-1/16 x 1-3/4 x 12 ga                     |             |            |  |
| 40A                  | 04041-14    | Washer, 1-1/16 x 1-1/2 x 18 ga                     |             |            |  |

\* = Purchase Locally

\*\* = Requires welding onto chassis.

## HANDLE ASSEMBLY



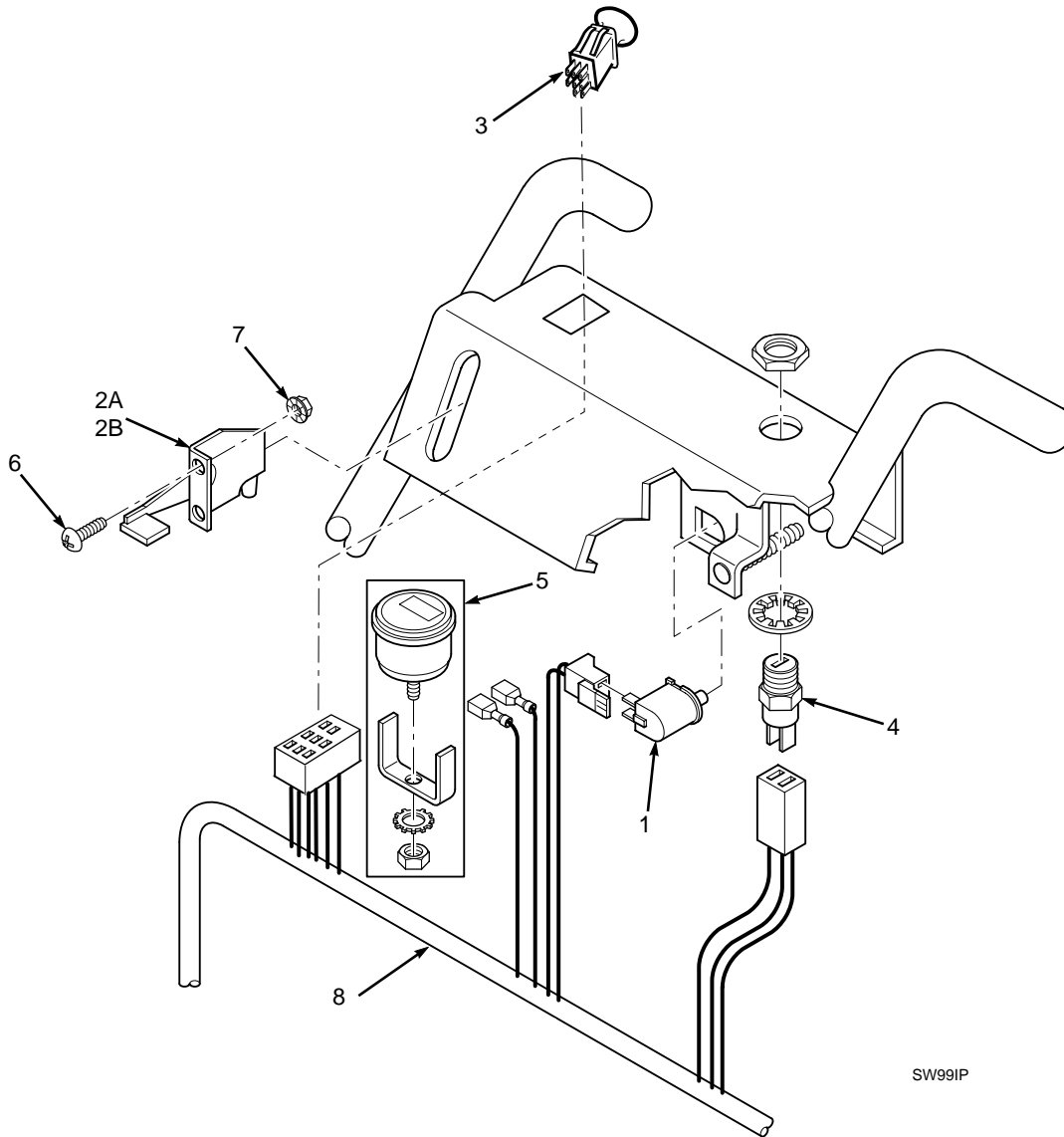
2K SWU HA

## HANDLE ASSEMBLY

| Ref. Part |          |  |      | Ref. Part |     |          |  |      |      |
|-----------|----------|--|------|-----------|-----|----------|--|------|------|
| No.       | No.      | Description                                  | 15KA | 17KA      | No. | No.      | Description  | 15KA | 17KA |
| 1         | 49403    | Handle Assembly 16" Frame                    | x    | x         | 44  | 04020-02 | Nut, 1/4-20 Hex  | x    | x    |
| 2         | 421360   | Belt Guard                                   | x    | x         | 45  | 461242   | Neutral Latch, RH                                      | x    | x    |
| 3         | 04017-27 | Capscrew, 3/8-16 x 1" Ser. Flange            | x    | x         | 45A | 461241   | Neutral Latch, LH                                      | x    | x    |
| 4         | 04041-07 | Flatwasher, 3/8 (.391 x .938 x .105)         | x    | x         | 46  | 48205    | Rubber Pad (Lower)                                     | x    | x    |
| 5         | 04021-09 | Nut, 3/8-16 Elastic Stop                     | x    | x         | 47  | 48202A   | Belt, Wheel Drive                                      | x    | x    |
| 6         | 481834   | Spring, Idler                                | x    | x         | 48  | 48198    | Idler Pulley, Wheel Drive                              | x    | x    |
| 7         | 04001-10 | Bolt, 5/16-18 x 1-1/4" Hex Head              | x    | x         | 49  | 48199    | Pulley, Jackshaft (Inc. 50)                            | x    | x    |
| 8         | 04021-10 | Nut, 5/16-18 Elastic Stop                    | x    | x         | 50  | 04012-04 | Setscrew, Hex Socket Knurl<br>Cup Pt. 5/16-18 (nylock) | x    | x    |
| 9         | 04017-05 | Capscrew, 1/4-20 x 3/4" Hex Head             | x    | x         | 51  | 43098    | Spacer, Jackshaft Pulley                               | x    | x    |
| 10        | 44004    | Control Rod, Steering                        | x    | x         | 52  | 48223    | Flange, Jackshaft Bearing                              | x    | x    |
| 11        | 04062-02 | Hair Pin, Small                              | x    | x         | 53  | 48224    | Bearing, Jackshaft                                     | x    | x    |
| 12        | 481839   | Grip, Shift Lever                            | x    | x         | 54  | 04050-09 | Retaining Ring, 5/8 Ext. Basic                         | x    | x    |
| 13        | 43032    | Swivel Joint                                 | x    | x         | 55  | 04017-06 | Capscrew, 1/4-20 x 1" Ser. Flange                      | x    | x    |
| 14        | 04062-01 | Hair Pin, Large .094 Diameter                | x    | x         | 56  | 04001-62 | Bolt, 3/8-16 x 3.25"                                   | x    | x    |
| 15        | 45847    | Idler Bracket, RH                            | x    | x         | 57  | 48030-09 | Clamp  | x    | x    |
| 15A       | 45846    | Idler Bracket, LH                            | x    | x         | 58  | 04001-17 | Bolt, 5/16-18 x 2" Hex Head                            | x    | x    |
| 16        | 43092    | Idler Sleeve                                 | x    | x         | 59  | 482314   | Choke Control  | x    | x    |
| 17        | 04001-62 | Bolt, 3/8-16 x 3/4" Hex Head                 | x    | x         | 60  | 04040-15 | Flatwasher, 5/16 (.375 x .875 x .083)                  | x    | x    |
| 18        | 04004-17 | Support Belt Guard                           | x    | x         | 61  | 04021-02 | Nut, 1/4-20 Elastic Stop                               | x    | x    |
| 19        | 04019-04 | Nut, 3/8-16 Serrated Flange                  | x    | x         | 62  | 43212    | Spacer   | x    | x    |
| 20        | 04019-03 | Nut, 5/16-18 Serrated Flange                 | x    | x         | 63  | 04001-32 | Bolt, Hex Head 3/8-16 x 1.25"                          | x    | x    |
| 21        | 04017-16 | Cpscrew, 5/16-18 x .75" Ser. Flng.           | x    | x         | 64  | 422756   | Bar  | x    | x    |
| 22        | 43286    | Spacer                                       | x    | x         | 65  | 48058    | Fuel Hose, 1/4" ID, 20" (KA )                          | x    | x    |
| 23        | 48309    | Bushing, Fuel Tank                           | x    | x         | 66  | 48059-01 | Clamp, Fuel Hose                                       | x    | x    |
| 24        | 48292    | Rubber Pad, (Upper)                          | x    | x         | 67  | 421622   | Bracket, Choke Mounting                                | x    | x    |
| 25        | 46089    | Steering Lever                               | x    | x         | 68  | 48159    | Grip, Handle   | x    | x    |
| 26        | 04017-17 | Capscrew, 5/16-18 x 1" Ser. Flng.            | x    | x         | 69  | 48308    | Valve, Fuel Shut Off                                   | x    | x    |
| 27        | 48312    | Bushing, Operator Presence                   | x    | x         | 70  | 46846    | Fuel Tank Assy. (Incl. Bush. & Val.)                   | x    | x    |
| 28        | 04040-15 | Washer, 5/16 (.375 x .875 x .083)            | x    | x         | 71  | 481603   | Fuel Tank Cap  | x    | x    |
| 29        | 48951    | Spring, Operator Presence                    | x    | x         | 72  | 421239   | Strap, Fuel Tank                                       | x    | x    |
| 30        | 45573    | Operator Presence Lever,<br>LH (Small Frame) | x    | x         | 73  | 04010-10 | Screw, 1/4-20 x 2" Rnd Hd Slotted                      | x    | x    |
| 31        | 45572    | Operator Presence Lever, RH                  | x    | x         | 74  | 422279   | Shift Lever  | x    | x    |
| 32        | 44005    | Brake Rod                                    | x    | x         | 75  | 461163   | Shift Lever (Incl. Item 12)                            | x    | x    |
| 33        | 45092    | Brake Lever                                  | x    | x         | 76  | 48144    | Grip, Steering Lever                                   | x    | x    |
| 34        | 45093    | Brake Link                                   | x    | x         | 77  | 04041-07 | Washer, 3/8 (.391x .938 x .105)                        | x    | x    |
| 35        | 42254    | Brake Link Plate                             | x    | x         | 78  | 04020-14 | Nut, 3/8-24 UNF  | x    | x    |
| 36        | 04024-01 | Nut, 3/8 Push-on                             | x    | x         | 79  | 48028-05 | Cable Tie  | x    | x    |
| 37        | 48114-05 | Grease Fitting, Straight 1/4-28              | x    | x         | 80  | 04001-53 | Bolt, 5/16-18 x 2-1/2"                                 | x    | x    |
| 38        | 04050-01 | Retaining Ring, 5/8 Ext. "E"                 | x    | x         | 81  | 461304   | Lever, Traction Adjustment W/Grip                      | x    | x    |
| 39        | 48210    | Brake Band                                   | x    | x         | 82  | 481847   | Grip, Traction Adjustment Lever                        | x    | x    |
| 40        | 04001-45 | Bolt, 3/8-16 x 2" Hex Head                   | x    | x         |     |          |  |      |      |
| 41        | 04031-08 | 1/4" Internal Tooth Lockwasher               | x    | x         |     |          |  |      |      |
| 42        | 04032-01 | Curved Spring Washer                         | x    | x         |     |          |  |      |      |
| 43        | 04001-32 | Bolt, Hex Head 3/8-16 x 1.25"                | x    | x         |     |          |  |      |      |

\* Common hardware should be purchased locally. All bolts are Grade 5 plated, all other fasteners zinc plated.

## INSTRUMENT PANEL

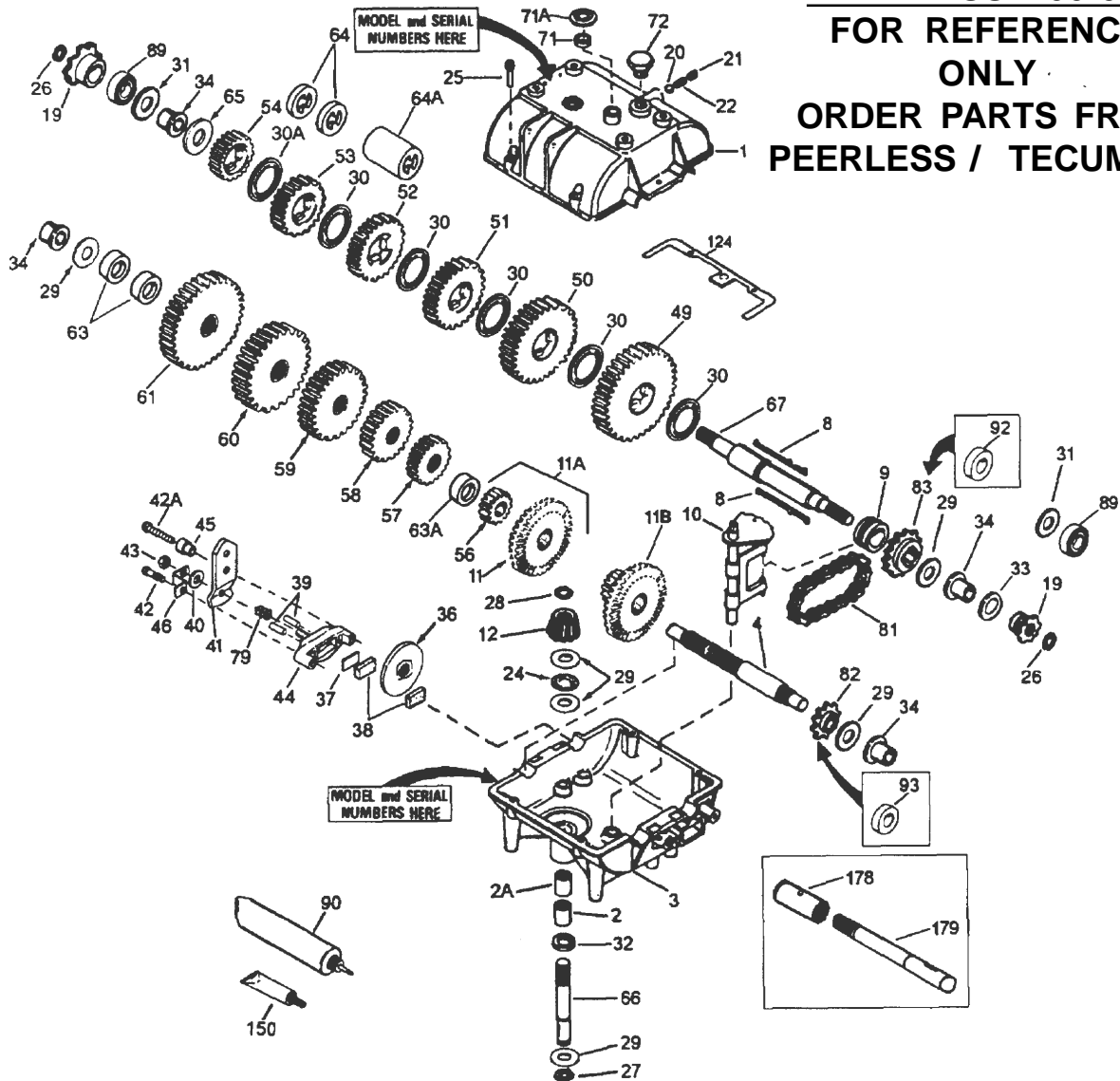


SW991P

| Ref. Part No. | Part No. | Description                              | 15KA | 17KA |
|---------------|----------|--|------|------|
| 1             | 48717    | Switch, Neutral Interlock                | X    | X    |
| 2             | 48946    | Throttle Control                         | X    | X    |
| 3             | 481687   | Engagement Switch, Electric Clutch       | X    | X    |
| 4             | 48609    | Key Switch (Includes hardware)           | X    | X    |
| 5             | 48023    | Hour Meter (Dealer installed)            | X    | X    |
| 6             | *        | Screw, #10-32 x .50 Phillips Washer Head | X    | X    |
| 7             | 04019-01 | Nut, #10-32 Serrated Flange Hex Head     | X    | X    |
| 8             | 481678   | Handle Wire Harness, Manual Start        | X    | X    |
| NS            | 48030-09 | Clamp, Wire Harness                      | X    | X    |

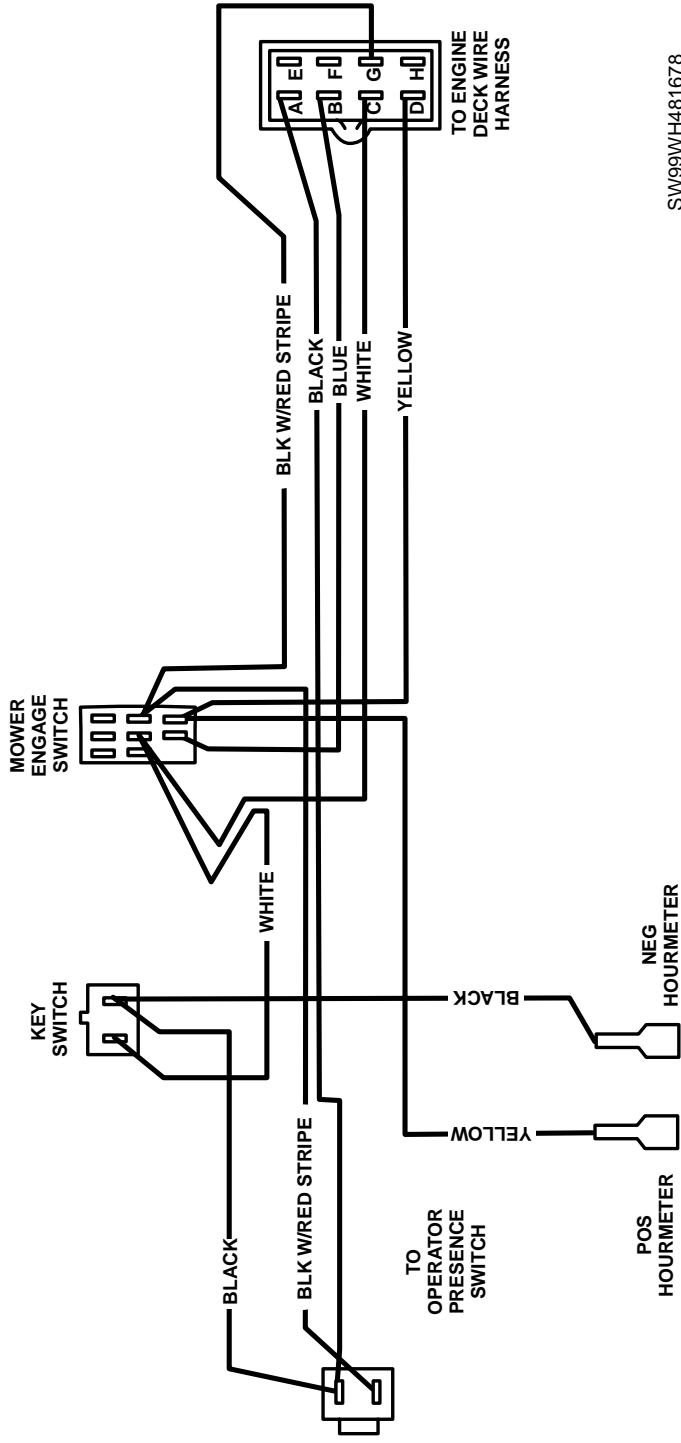
\* Common hardware which should be purchased locally. All bolts grade 5 plated, all other fasteners zinc plated.

**PEERLESS 700-070  
FOR REFERENCE  
ONLY  
ORDER PARTS FROM  
PEERLESS / TECUMSEH**



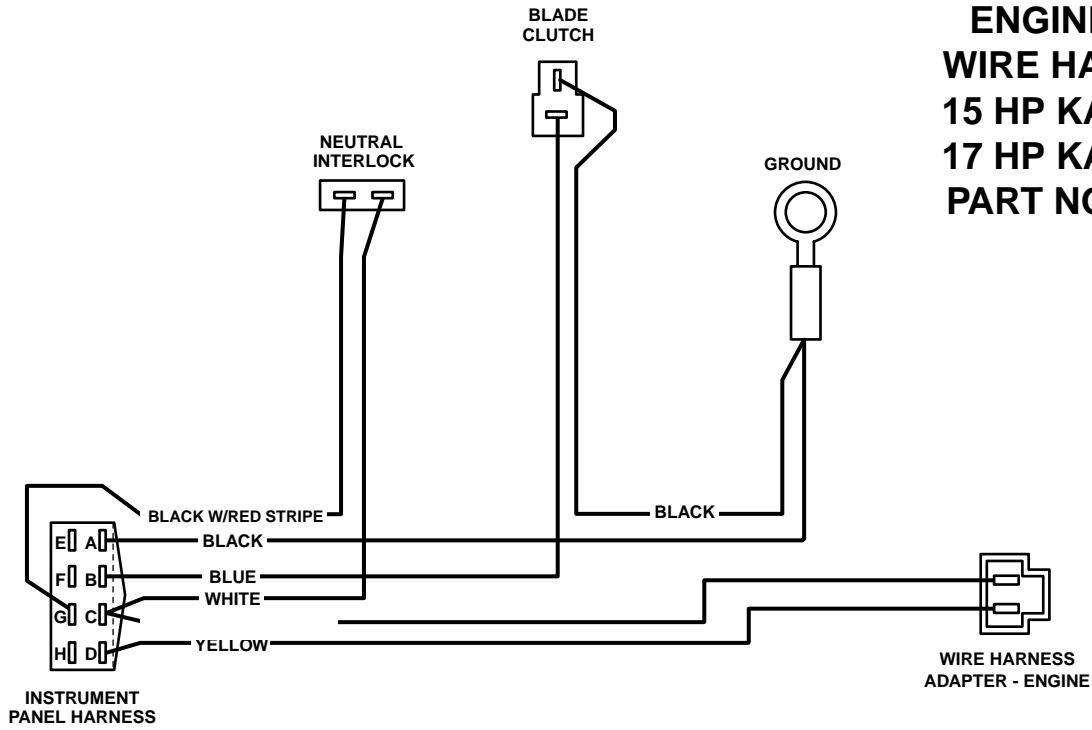
| REF. PART NO. | REF. PART NO. | DESCRIPTION                   | REF. PART NO. | DESCRIPTION                                     |
|---------------|---------------|-------------------------------|---------------|---|
| 1             | 772083A       | Case, Transmisson             | 50            | 778125 Spur Rear (35 teeth)                     |
| 2             | 780086A       | Needle Bearing Grease Spec    | 51            | 778239A Spur Gear (32 teeth-steel)              |
| 2A            | 780142        | Needle Bearing                | 52            | 778124A Spur Gear (30 teeth)                    |
| 3             | 770061A       | Case, Transmission            | 53            | 778123A Spur Gear (25 teeth)                    |
| 8             | 792089A       | Shift Key                     | 56            | 778145 Spur Gear (12 teeth-steel)               |
| 9             | 784266        | Shift Collar                  | 57            | 778151 Spur Gear (15 teeth)                     |
| 10            | 784376        | Shift Rod & Fork              | 58            | 778240 Spur Gear (18 teeth-steel)               |
| 11            | 778154        | Bevel Gear (42 teeth)         | 59            | 778126A Spur Gear (20 teeth)                    |
| 12            | 778176        | Bevel Pinion (14 teeth-steel) | 60            | 778127A Spur Gear (25 teeth)                    |
| 20            | 792077        | Steel Ball, 5/16" dia.        | 65            | 780139 Washer                                   |
| 21            | 792078        | Set Screw, 3/8-16 x 3/8"      | 66            | 776135 Input Shaft (3-11/16" long)              |
| 22            | 792079        | Spring                        | 67            | 776402 Shifter & Brake Shaft                    |
| 24            | 780071        | Thrust Bearing                | 71            | 788069 Square Cut Ring                          |
| 25            | 792073        | Screw, 1/4-20 x 1-1/4" (6)    | 72            | 792074 Threaded Plug (Shipping only, not used)  |
| 27            | 792035        | Retaining Ring                | 81            | 786081 Roller Chain (No. 41 chain, 24 links)    |
| 28            | 788040        | Retaining Ring                | 82            | 786082 Sprocket (9 teeth)                       |
| 29            | 780072        | Washer (6)                    | 83            | 786083 Sprocket (18 teeth)                      |
| 30            | 780108        | Washer (5)                    | 90            | 788067B Grease (32 oz. bottle Bentonite grease) |
| 32            | 792001        | "O" Ring                      | 150           | 510334 Gasket Eliminator (Loctite #515)         |
| 34            | 780105A       | Flanged Bushing               | 178           | 481581 Coupler, Jackshaft (Purchase From Scag)  |
| 49            | 778146A       | Spur Gear (37 teeth)          | 179           | 481582 Jackshaft (Purchase From Scag)           |

**HANDLE WIRE HARNESS -  
MANUAL START  
PART NO. 481678**

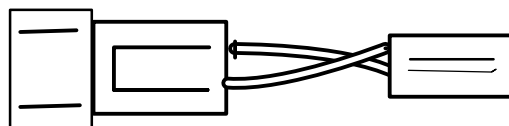


SW99WH481678

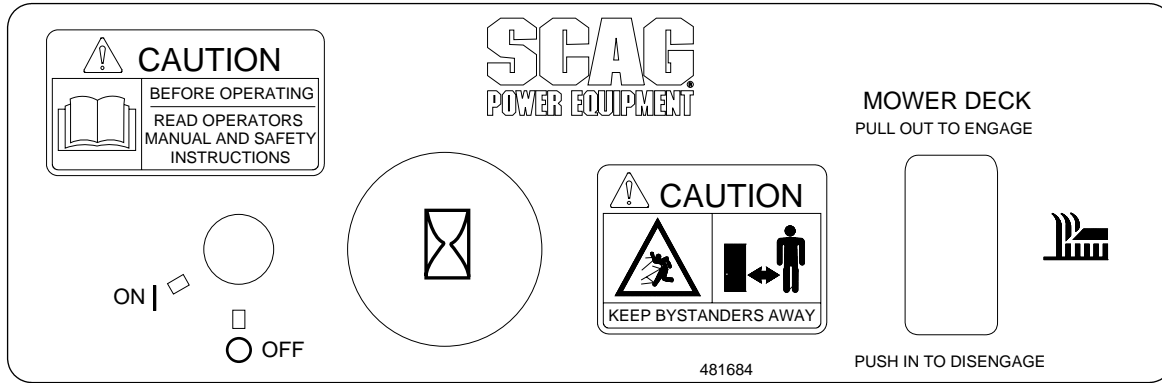
**ENGINE DECK  
WIRE HARNESS -  
15 HP KAWASAKI  
17 HP KAWASAKI  
PART NO. 481073**



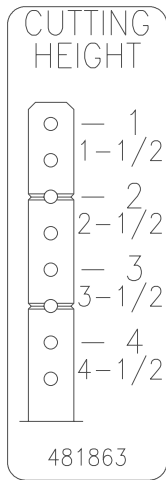
**WIRE HARNESS ADAPTER / KAWASAKI  
PART NO. 481717**







481684



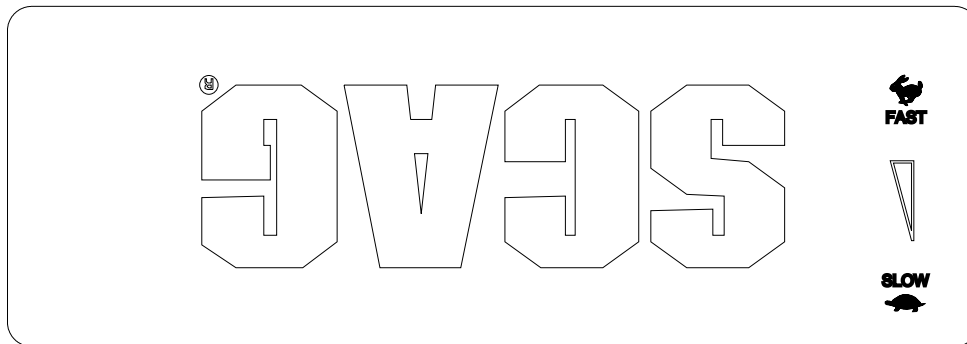
481863



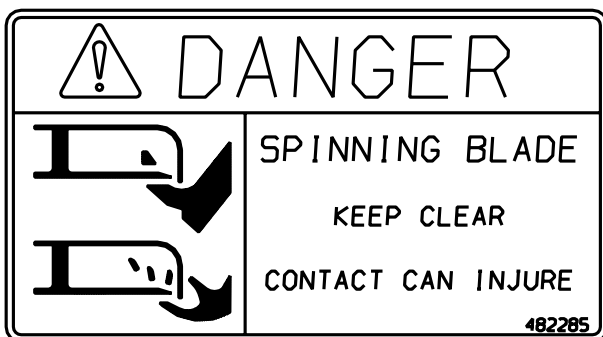
48314



481905



481483



482285



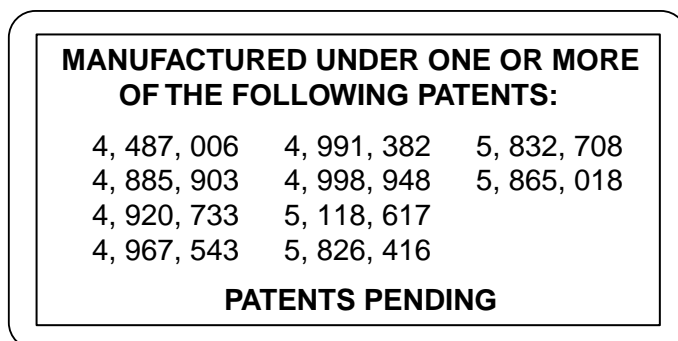
48404



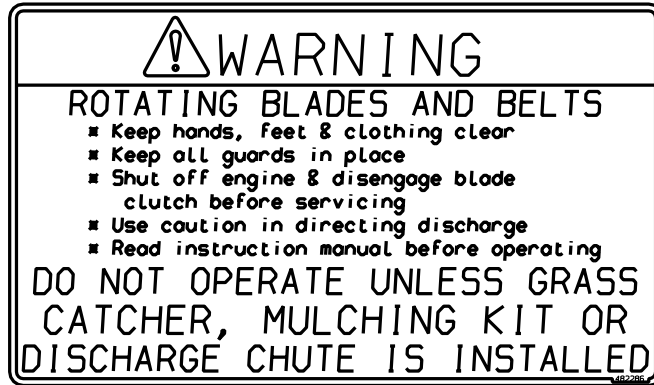
481039



481971



48656



482286

## 48 Advantage

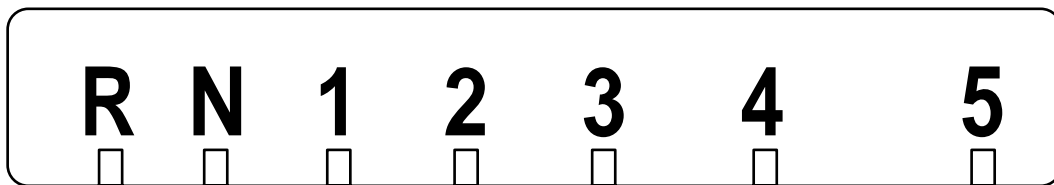
36" - 482297

48" - 481953

52" - 481954



481109



48332

48332



482165

482165