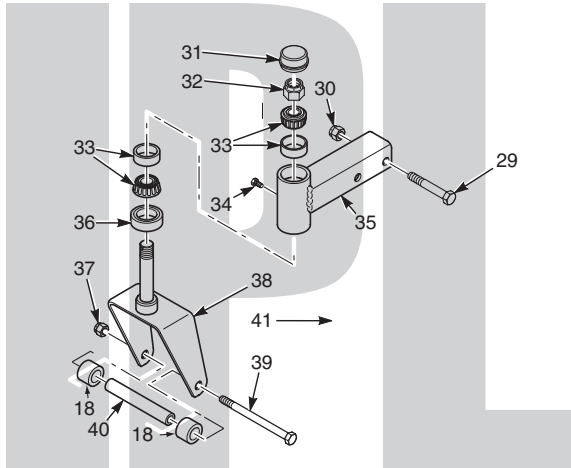


SCAG[®]

POWER EQUIPMENT



ILLUSTRATED PARTS MANUAL



TRUCK LOADER

Industrial Skid Mount

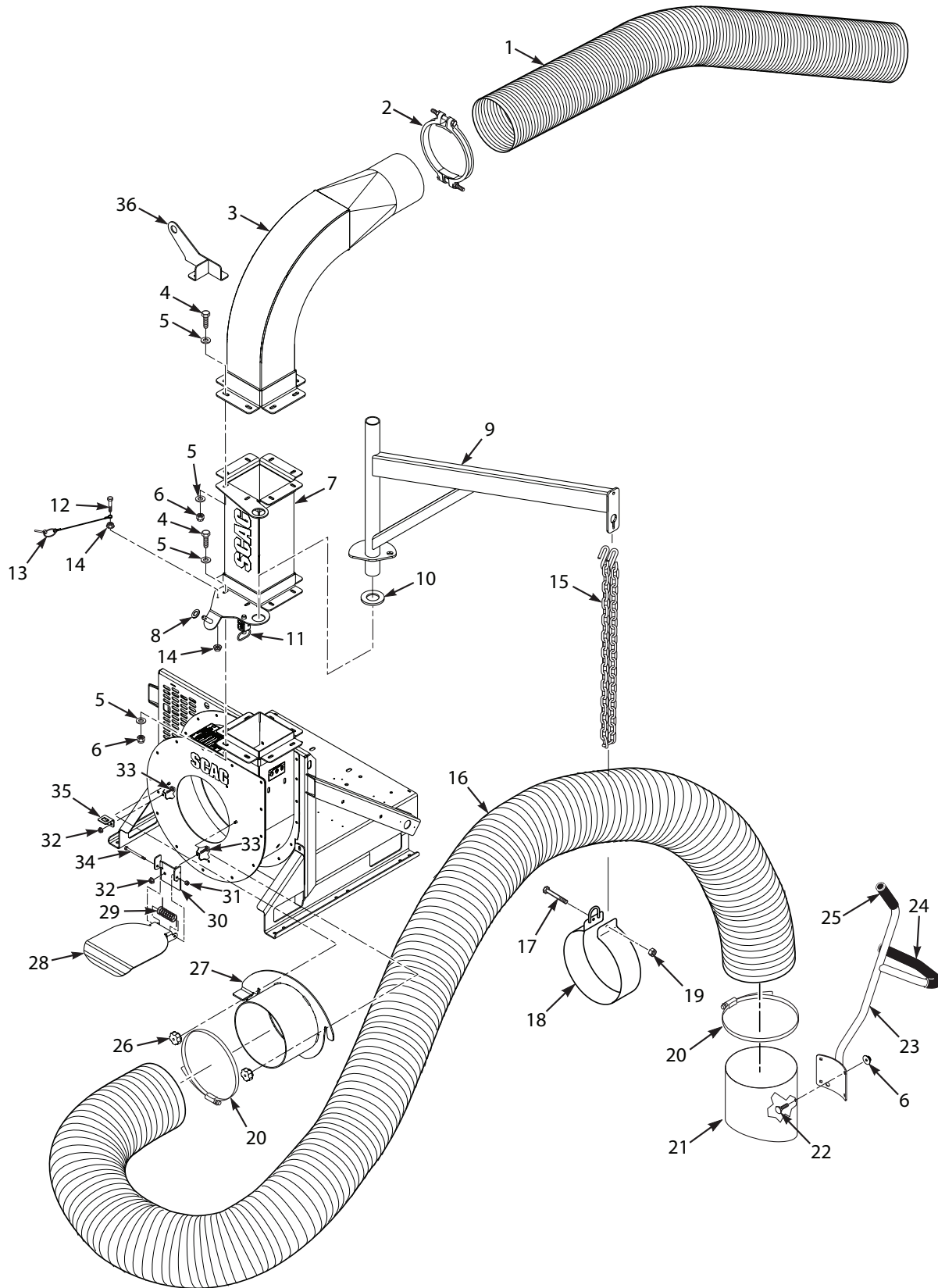
Model: TLS20W-29BV

**THIS MANUAL CONTAINS THE ILLUSTRATED PARTS LIST FOR MODELS:
TLS20W-29BV with a serial number of P4900001 to P4999999**

Table of Contents

INTAKE AND DISCHARGE ASSEMBLY	2
IMPELLER ASSEMBLY	4
FUEL SYSTEM AND BATTERY COMPONENTS	6
TL20W - TRUCK LOADER DECALS	8

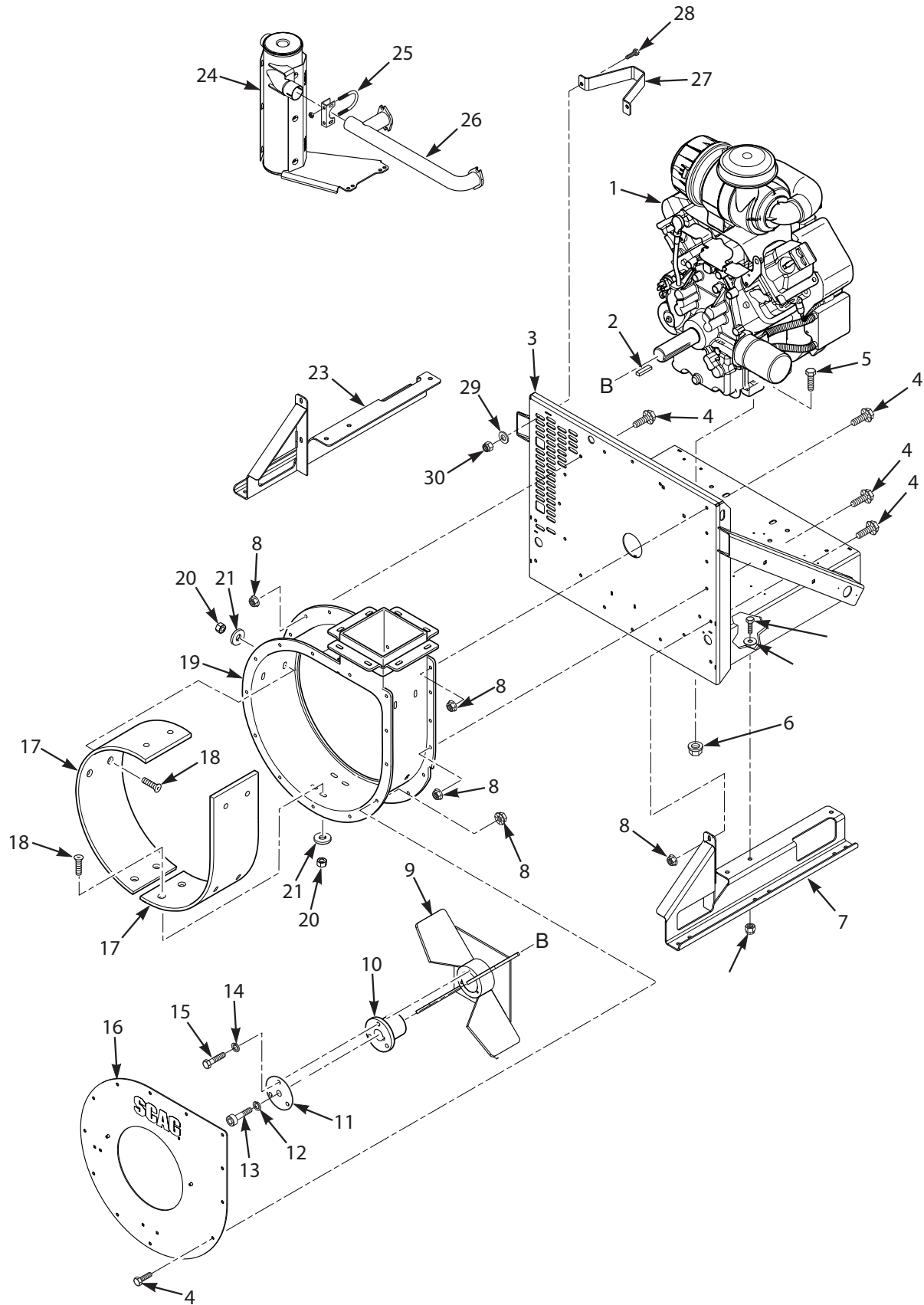
INTAKE AND DISCHARGE ASSEMBLY



INTAKE AND DISCHARGE ASSEMBLY

Ref. No.	Part No.	Description
1	48135-57	Hose, Clear Poly 8" Dia. x 60"
2	485060	Clamp, Tube 8" Dia.
3	452479	Elbow, Exhaust - TL20W
4	04001-32	Bolt, Hex Head 3/8-16 x 1-1/4"
5	04041-07	Flatwasher, 3/8-.391 X .938 X .105
6	04021-09	Nut, Elastic Stop 3/8-16
7	462627	Stack, Discharge w/Decals
8	485050	Washer, Rubber
9	452477	Boom Weldment
10	484947	Disc, Anti-Friction
11	485065	Spring
12	04001-59	Bolt, Hex Head 1/4-20 x 1-1/4"
13	485062	Quick Pin Assembly
14	04019-02	Nut, Serrated Flange 1/4-20
15	484894	Chain w/2-Hooks
16	48135-28	Hose, 12" OD x 120" - .045 w/Wearstrip
17	04001-63	Bolt, Hex Head 5/16-18 x 3-1/2"
18	452440	Band, Hose Support
19	04021-10	Nut, Elastic Stop 5/16-18
20	48136-23	Clamp, 12" OD
21	462628	Nozzle, 12"
22	04003-23	Bolt, Carriage 3/8-16 x 1"
23	462612	Handle Assembly w/Grips (incl. # 24 & 25)
24	485076	Grip, 1-1/4 x 20"
25	485075	Grip, 1-1/4 x 6"
26	481185-04	Knob, 3/8-16 Locking
27	452554	Hose Mounting Weldment
28	426461	Safety Switch Door
29	483378	Spring
30	426455	Mounting Bracket, Safety Switch Door
31	04021-10	Nut, Elastic Stop 5/16-18
32	04019-03	Nut, Serrated Flange 5/16-18
33	04003-29	Bolt, Carriage 5/16-18 x 3/4"
34	04001-154	Bolt, Hex Head 5/16-18 x 4-3/4"
35	425388	Bracket, Switch
36	452556	Bracket Weldment, Lift Hook

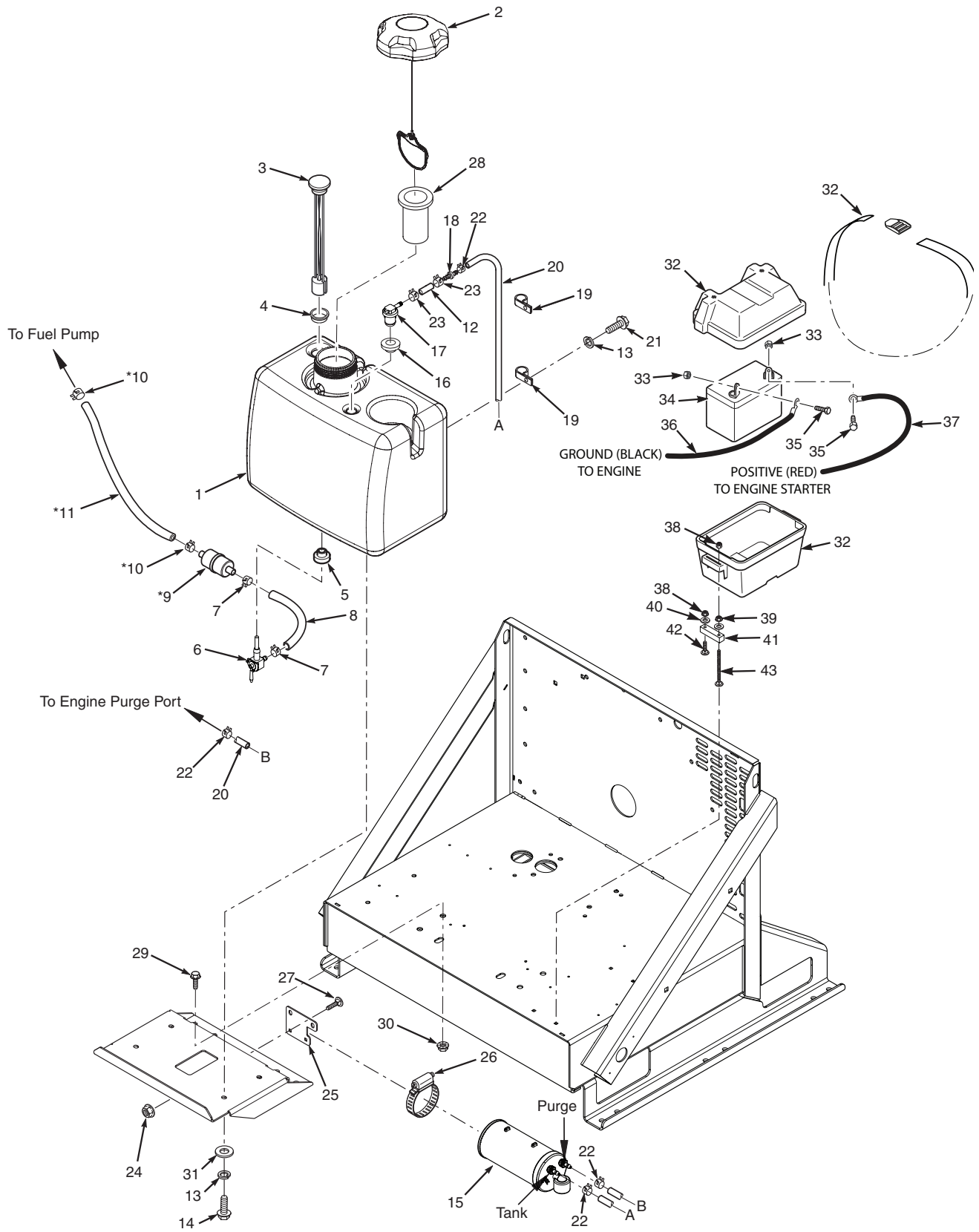
IMPELLER ASSEMBLY



IMPELLER ASSEMBLY

Ref. No.	Part No.	Description
1	484957	Engine, 29HP Briggs & Stratton Vanguard (not available through Scag Power Equipment)
2	04063-32	Key, 3/8 x 3/8 x 3-1/2"
3	462651	Frame Weldment w / Decals
4	04017-26	Bolt, Hex Head Serrated Flange 3/8-16 x 3/4"
5	04001-12	Bolt, Hex Head 5/16-18 x 1-3/4"
	04001-17	Bolt, Hex Head 5/16-18 x 2" (LH Front)
6	04019-03	Nut, Serrated Flange 5/16-18
7	452550	Mounting Bracket Weldment, RH Skid
8	04019-04	Nut, Serrated Flange 3/8-16
9	452455	Impeller Weldment, TL20W
10	484820	Hub, Tapered Locking Q2 x 1-7/16"
11	426138	Cover Plate, Hub Taper - TL20W
12	04030-07	Lockwasher, 5/8"
13	04015-22	Socket Head Cap Screw, 5/8-18 x 1-3/4"
14	04030-04	Lockwasher, 3/8"
15	04001-21	Bolt, Hex Head 3/8-16 x 1-3/4"
16	462636	Cover, Housing - TLS20W w/Decal
17	462583	Wearliner Kit w/ Hardware
18	04014-07	Capscrew, 3/8-16 x 1-1/4"
19	462637	Housing Weldment w / Decals
20	04021-09	Nut, Elastic Stop 3/8-16
21	04041-04	Flatwasher, 1/2-.516 x .938 x 12 Ga.
22	452501	Weldment, Exhaust Deflector - 29hp Briggs & Stratton
23	452549	Mounting Bracket Weldment, LH Skid
24	485385	Muffler, 29hp Briggs & Stratton
25	48633	Clamp, Muffler 1-1/2" Dia.
26	485004	Exhaust Manifold, 29hp Briggs & Stratton
27	426865	Muffler Guard
28	04001-19	Bolt, Hex Head 3/8/16 x 1"
29	04041-07	Flatwasher, 3/8-.391 x .938 x .105
30	04021-09	Nut, Elastic Stop 3/8-16

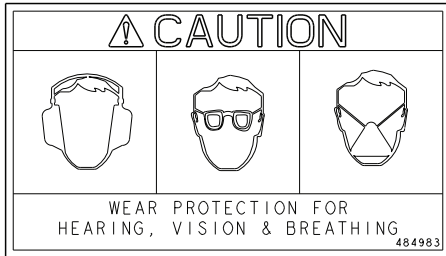
FUEL SYSTEM AND BATTERY COMPONENTS



FUEL SYSTEM AND BATTERY COMPONENTS

Ref. No.	Part No.	Description
1	462611	Fuel Tank, TL20W
2	484286	Fuel Cap, Tethered
3	484259	Fuel Gauge Assembly, 11 (incl. #4)
4	484242	Seal, Fuel Gauge
5	482571	Bushing, 0.56 Dia. Viton
6	483747	Fuel Shutoff Valve w / Screen
7	48059-01	Clamp, Fuel Hose 1/4" I.D.
8	483617	Hose, Fuel Line 1/4" (order by inch)
9	*	Fuel Filter (contact engine manufacturer)
10	*	Clamp (contact engine manufacturer)
11	*	Fuel Hose (contact engine manufacturer)
12	484347	Hose, Vapor Recovery 1/4" (order by the inch)
13	04030-03	Lockwasher, 5/16"
14	04001-08	Bolt, Hex Head 5/16-18 x 3/4"
15	484287	Carbon Canister, 400cc
16	484285	Grommet, Viton
17	484333	Remote Vent
18	484343-01	Mender, 1/4 x 3/16 w / 0.02 Hole
19	48030-22	Clamp, 3/8"
20	484345	Hose, Vapor Recovery 3/16" (order by inch)
21	04001-08	Bolt, Hex Head 5/16-18 x 3/4"
22	48059--05	Clamp, Vapor Recovery 3/16"
23	48059-02	Clamp, Fuel Hose 7/32" O.D.
24	04019-03	Nut, Serrated Flange 5/16-18
25	426326	Bracket, Canister Mount
26	48136-17	Clamp
27	04003-04	Bolt, Carriage 5/16-18 x 1"
28	484279-01	Tube, Fuel Tank Insert
29	04001-70	Bolt, Hex Head 1/2-13 x 1-1/4"
30	04019-06	Nut, Serrated Flange 1/2-13
31	04040-15	Flatwasher, 5/16-.375 x .875 x .083
32	484990	Battery Box w/Strap
33	04020-02	Nut, 1/4-20
34	*	Battery (not available through Scag Power Equipment)
35	04001-06	Bolt, Hex Head 1/4-20 x 0.63
36	48029-11	Battery Cable, Black 27"
37	48029-27	Battery Cable, Red 32" w/Conduit
38	04021-08	Nut, Elastic Stop 1/4-20
39	04019-02	Nut, Serrated Flange 1/4-20
40	04040-14	Flatwasher, 1/4-.312 x .750 x .065
41	485053	Spacer, Battery Box
42	04003-09	Bolt, Carriage 1/4-20 x 1-1/4"
43	04003-39	Bolt, Carriage 1/4-20 x 6"

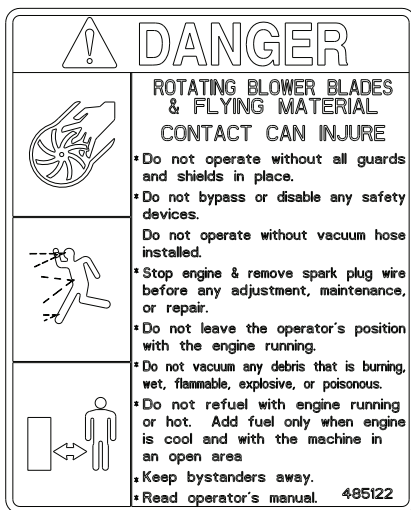
TL20W - TRUCK LOADER DECALS



484983



485139



485122

SCAG[®]

48314

SCAG[®] TRUCK LOADERS

Waiting for new p/n