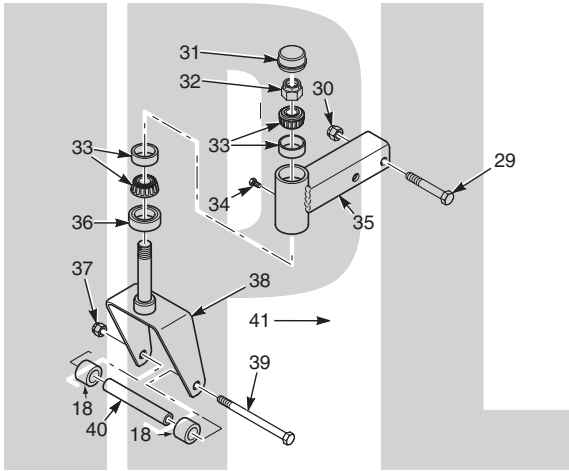


SCAG® POWER EQUIPMENT



ILLUSTRATED PARTS MANUAL



TRUCK LOADER

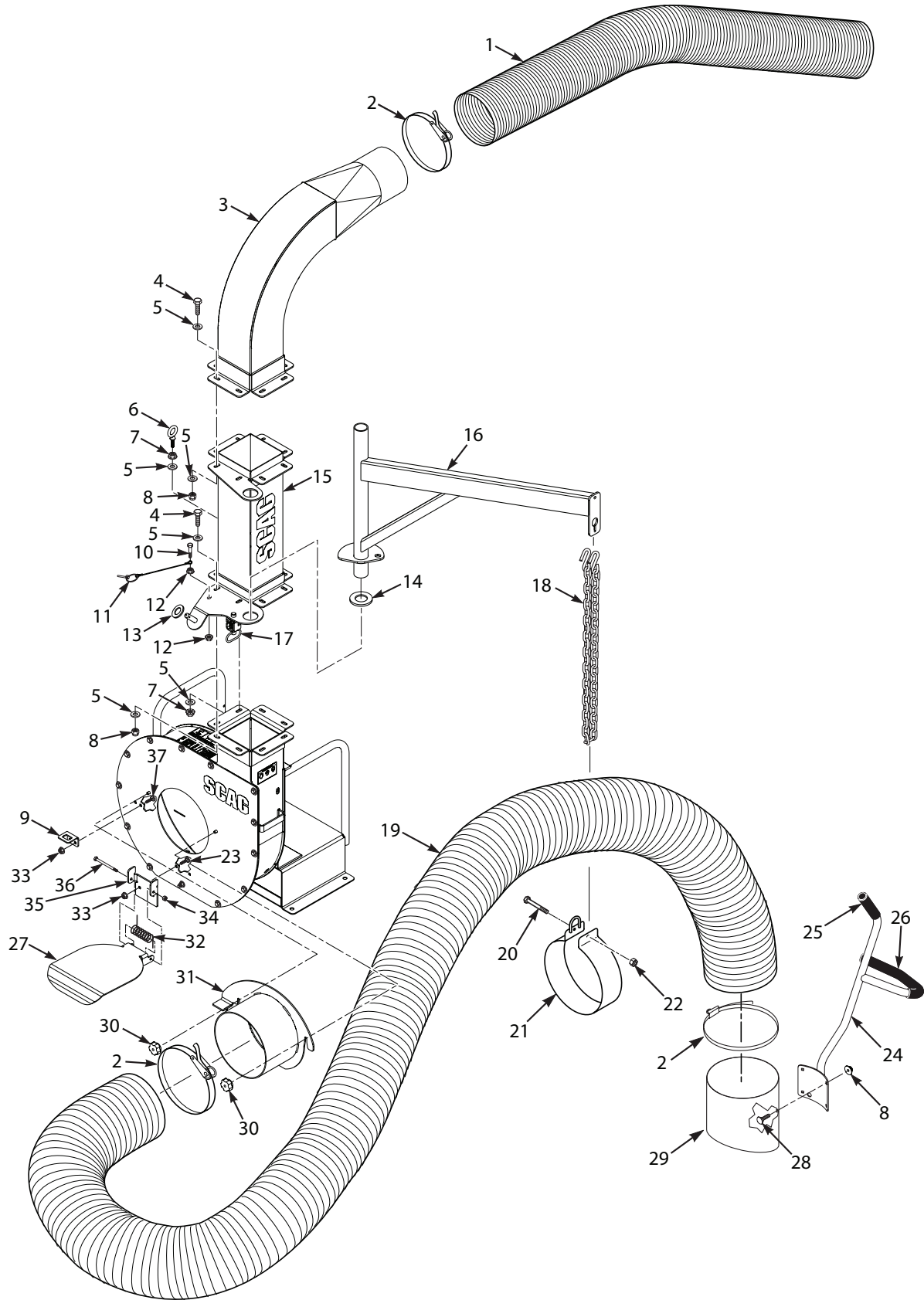
Model: TLS20-18BV

**THIS MANUAL CONTAINS THE ILLUSTRATED PARTS LIST FOR MODELS:
TLS20-18BV with a serial number of P4800001 to P4899999**

Table of Contents

INTAKE AND DISCHARGE ASSEMBLY	2
IMPELLER ASSEMBLY	4
SKID MOUNT COMPONENTS.....	6
ELECTRICAL SYSTEM AND THROTTLE CONTROL	8
TLS20 - TRUCK LOADER DECALS	10

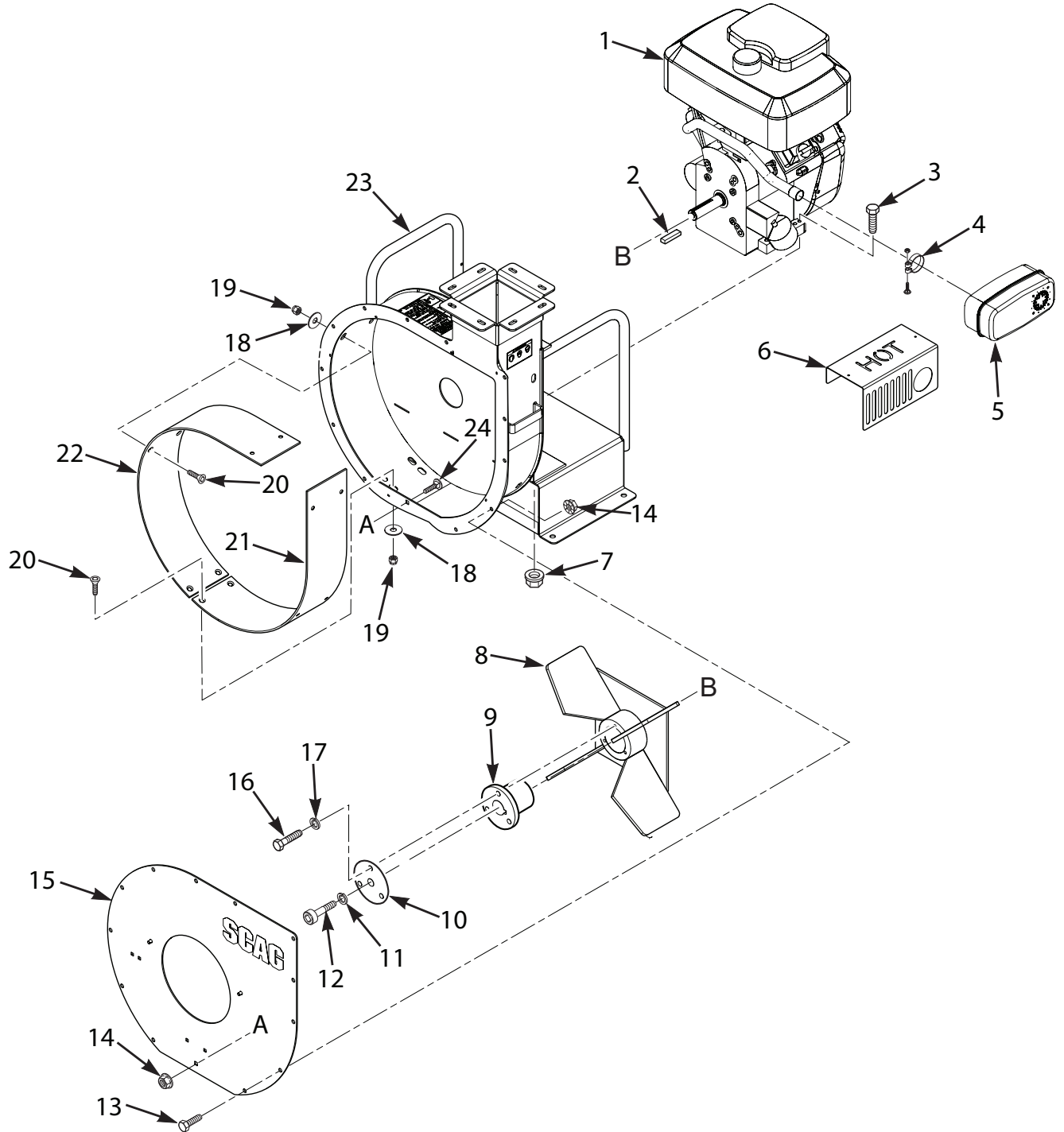
INTAKE AND DISCHARGE ASSEMBLY



INTAKE AND DISCHARGE ASSEMBLY

Ref. No.	Part No.	Description
1	48135-56	Hose, Clear Poly 7" x 30"
2	486044-01	Strap, Ratchet
3	452525	Discharge Elbow Weldment
4	04001-32	Bolt, Hex Head 3/8-16 x 1-1/4"
5	04041-07	Flatwasher, 3/8-.391 x .938 x .105
6	04070-07	Eyebolt, 3/8"
7	04019-03	Nut, Serrated Flange 5/16-18
8	04021-09	Nut, Elastic Stop 5/16-18
9	425388	Bracket, Switch
10	04001-59	Bolt, Hex Head 1/4-20 x 1-1/4"
11	485062	Quick Pin Assembly
12	04019-02	Nut, Serrated Flange 1/4-20
13	485050	Washer, Rubber
14	484947	Disk, Anti-Friction
15	462624	Stack w/Decal, Discharge
16	452477	Boom Weldment
17	485065	Spring Latch Assembly
18	484894	Chain w/ S-Hooks
19	48135-27	Hose, 10" x 12' - .045 w/wearstrip
20	04001-63	Bolt, Hex Head 5/16-18 x 3-1/2"
21	452439	Band Assembly, Hose Support - 10"
22	04021-10	Nut, Elastic Stop 5/16-18
23	04003-29	Bolt, Carriage 5/16-18 x 3/4"
24	462612	Handle Assembly w/Grips
25	485075	Grip, 1-1/4"x 6"
26	485076	Grip, 1-1/4" x 20"
27	426454	Safety Switch Door
28	04003-23	Bolt, Carriage 3/8-16 x 1"
29	462625	Adapter w/Decal
30	481885-04	Knob, 3/8-16 Locking
31	452552	Hose Mount Weldment
32	483378	Spring
33	04019-03	Nut, Serrated Flange 5/16-18
34	04021-10	Nut, Elastic Stop 5/16-18
35	426455	Mounting Bracket, Safety Switch Door
36	04001-154	Bolt, Hex Head 5/16-18 x 4-3/4"
37	04003-29	Bolt, Carriage 5/16-18 x 3/4"

IMPELLER ASSEMBLY

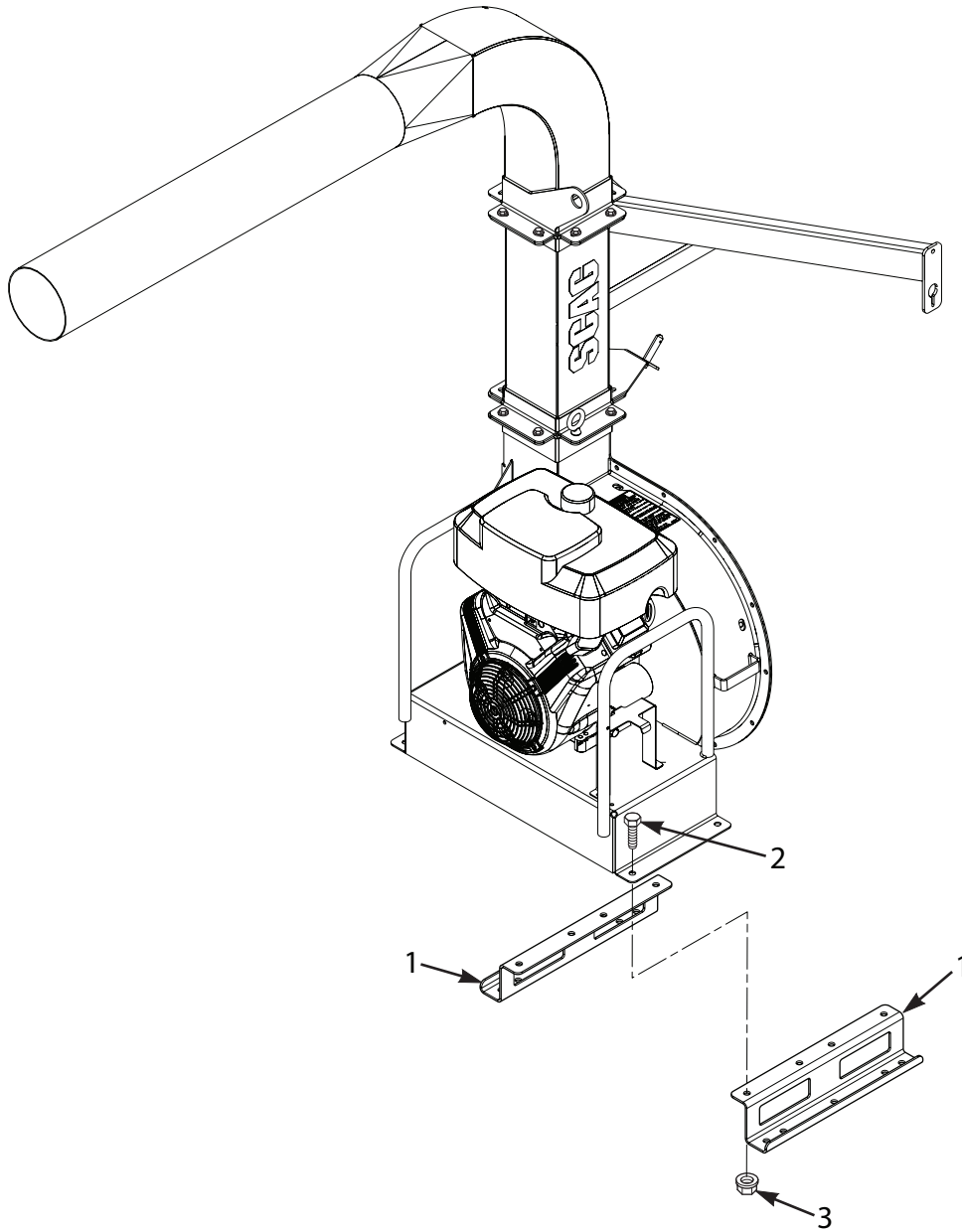


IMPELLER ASSEMBLY

Ref. No.	Part No.	Description
1	*484956	Engine, 18hp Briggs & Stratton Vanguard
2	04063-08	Key, 1/4 x 1/4 x 2"
3	04001-12	Bolt, Hex Head 5/16-18 x 1-3/4"
4	*	Clamp, Muffler
5	*	Muffler
6	426388	Guard, Muffler
7	04117-01	Nut, Elastic Stop 5/16-18
8	452454	Impeller, TL20
9	484819	Hub, Tapered Locking P3 x 1.125
10	426338	End Plate, Tapered Hub
11	04030-05	Lockwasher, 7/16" Spring
12	04102-01	Bolt, Hex Head 7/16-20 x 1-3/4" w/Patch
13	04017-27	Bolt, Hex Head Serrated Flange 3/8-16 x 1"
14	04019-04	Nut, Serrated Flange 3/8-16
15	463093	Housing Cover w/Decal
16	04001-11	Bolt, Hex Head 5/16-18 x 1-1/2"
17	04030-03	Lockwasher, 5/16" Spring
18	04041-07	Flatwasher, 3/8-.391 x .938 x .105
19	04021-09	Nut, Elastic Stop 3/8-16
20	04014-07	Capscrew, 3/8-16 x 1-1/4"
21	426310	Wear Liner, Short
22	426311	Wear Liner, Long
23	462623	Housing, Impeller w/Decal
24	04003-23	Bolt, Carriage

* Available through the individual engine manufacturer.

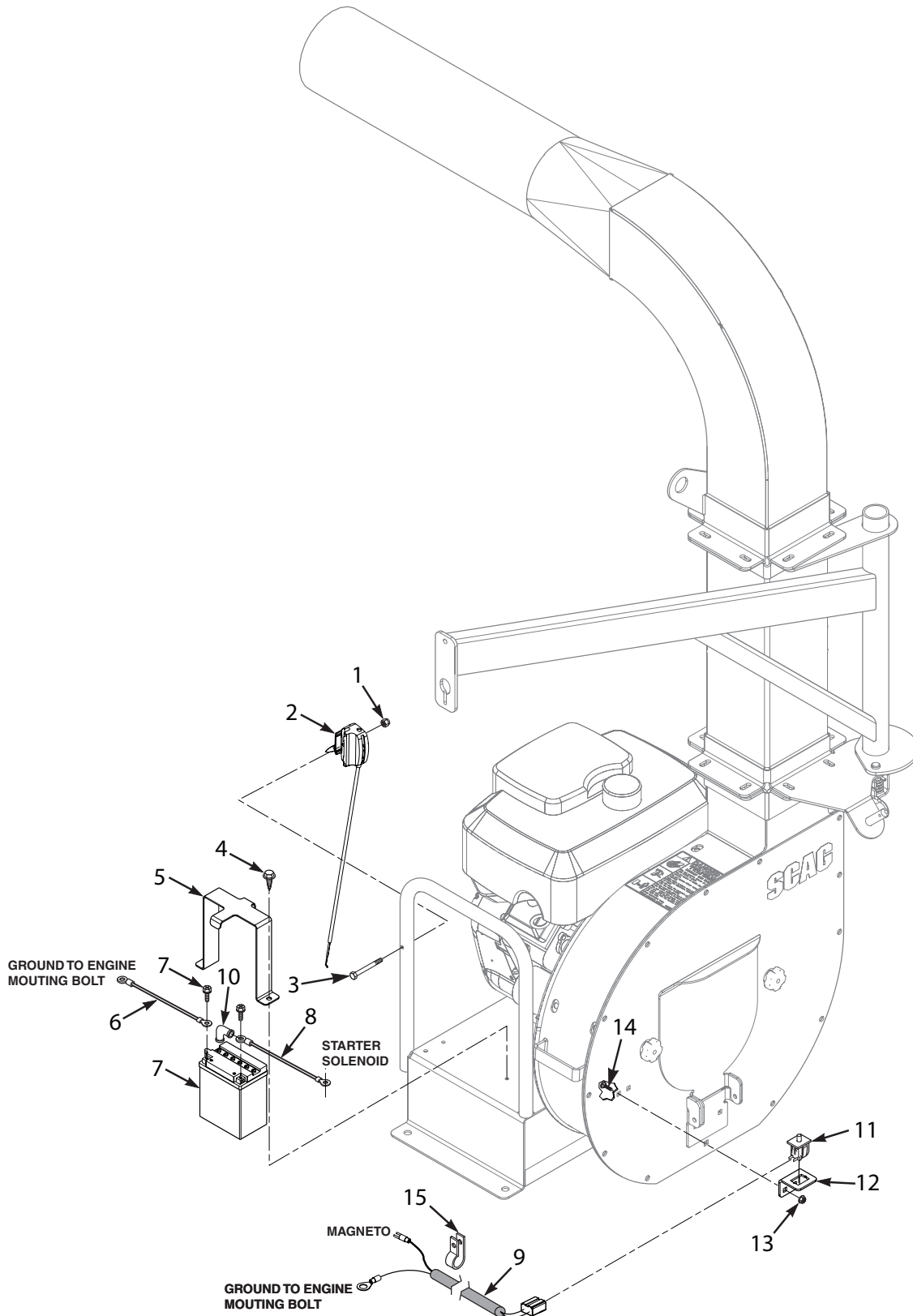
SKID MOUNT COMPONENTS



SKID MOUNT COMPONENTS

Ref. No.	Part No.	Description
1	426474	Skid Rail - TLS
2	04001-70	Bolt, Hex Head 1/2-13 x 1-1/4"
3	04117-70	Nut, Elastic Stop 1/2-13

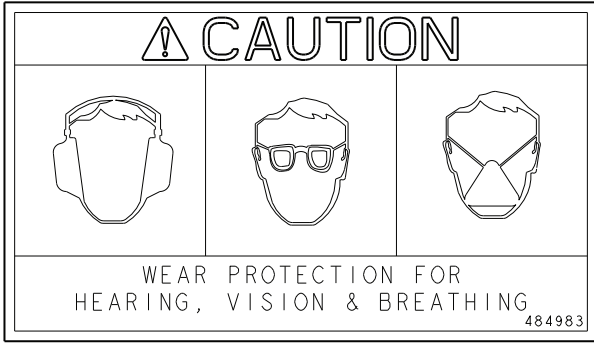
ELECTRICAL SYSTEM AND THROTTLE CONTROL



ELECTRICAL SYSTEM AND THROTTLE CONTROL

Ref. No.	Part No.	Description
1	04021-08	Nut, Elastic Stop 1/4-20
2	485140	Throttle Control
3	04001-206	Bolt, Hex Head 1/4-20 x 2-1/2"
4	04011-24	Screw, 1/4-20 x .625 Self Tap
5	426140	Bracket, Battery
6	48029-07	Cable, Battery 18" - Black
7	484805	Battery, 12V - 12N14-3A (Not available through Scag Power Equipment)
8	48029-09	Cable, Battery - 9" - Red
9	485141	Wire Harness, Safety Switch
10	48126	Boot, Rubber
11	48717	Switch, Interlock
12	425388	Bracket, Switch
13	04019-03	Nut, Serrated Flange 5/16-18
14	04003-29	Bolt, Carriage 5/16-18 x 3/4"
15	48030-15	Clamp

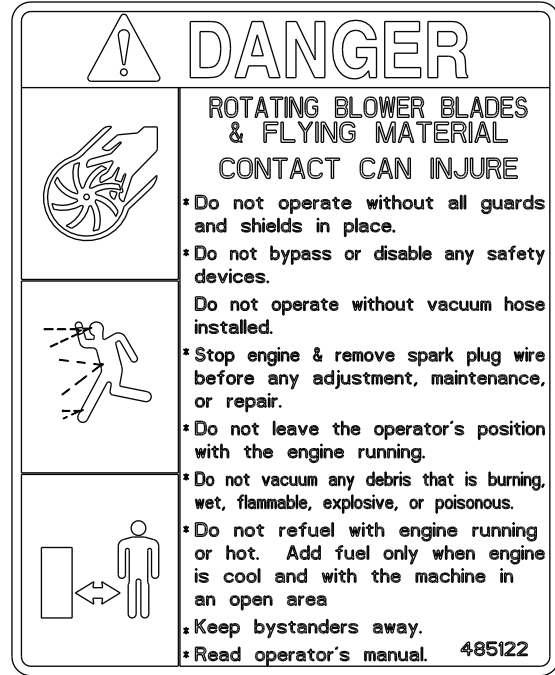
TLS20 - TRUCK LOADER DECALS



484983



486246



485122



485139



48314