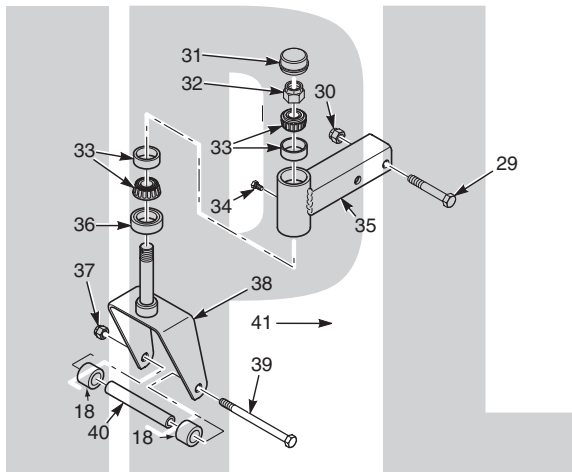


SCAG[®]

POWER EQUIPMENT



ILLUSTRATED PARTS MANUAL



Model SVR11 V-Ride II

THIS MANUAL CONTAINS THE ILLUSTRATED PARTS LIST FOR MODELS:

**SVR11-32A-16FX
SVR11-36A-19FX
SVR11-48V-22FX
SVR11-52V-25CV-EFI
SVR11-52V-26FT-EFI
SVR11-52V-37BV-EFI
SVR11-61V-25FX
SVR11-61V-31CV-EFI
SVR11-61V-37BV-EFI
SVR11-61V-38FX-EFI**

**with a serial number of R5500001 to R5599999
with a serial number of R5600001 to R5699999
with a serial number of R5700001 to R5799999
with a serial number of R5800001 to R5899999
with a serial number of R5900001 to R5999999
with a serial number of R6000001 to R6099999
with a serial number of R6100001 to R6199999
with a serial number of R6200001 to R6299999
with a serial number of R6300001 to R6399999
with a serial number of R6400001 to R6499999**

Table of Contents

SCAG APPROVED ATTACHMENTS AND ACCESSORIES.....	2
SVR11-32A / 36A CUTTER DECK	4
SVR11-48V, 52V & 61V CUTTER DECKS	6
SVR11 CUTTER DECK CONTROLS.....	8
SVR11-32A / 36A SHEET METAL COMPONENTS	10
SVR11 SHEET METAL COMPONENTS.....	12
SVR11 STEERING CONTROLS	14
SVR11 32A FUEL SYSTEM.....	16
SVR11 FUEL SYSTEM	18
SVR11-32A / 36A HYDRAULICS AND ENGINE COMPONENTS.....	20
SVR11-48V / 52V / 61V HYDRAULICS AND ENGINE COMPONENTS.....	22
SVR11-61V-37BV-EFI HYDRAULICS AND ENGINE COMPONENTS.....	24
SVR11-32A / 36A ELECTRICAL SYSTEM.....	26
SVR11-48V / 52V / 61V ELECTRICAL SYSTEM.....	28
SVR11-32A / 36A HYDRAULIC PUMP	30
SVR11-48V / 52V / 61V HYDRAULIC PUMP	32
REPLACEMENT DECALS AND INFORMATION PLATES	34
SVR11-32A/36A ELECTRICAL SCHEMATIC	36
SVR11 ELECTRICAL SCHEMATIC - ELECTRIC START MODELS.....	37
SVR11 - BRIGGS & STRATTON 37EFI ELECTRICAL SCHEMATIC	38
SVR11 - KAWASAKI 26FT / 38FX EFI ELECTRICAL SCHEMATIC.....	39
KAWASAKI ENGINE ADAPTER ELECTRICAL SCHEMATIC.....	40



ILLUSTRATED PARTS LIST

SCAG APPROVED ATTACHMENTS AND ACCESSORIES

Attachments and accessories manufactured by companies other than Scag Power Equipment are not approved for use on this machine.

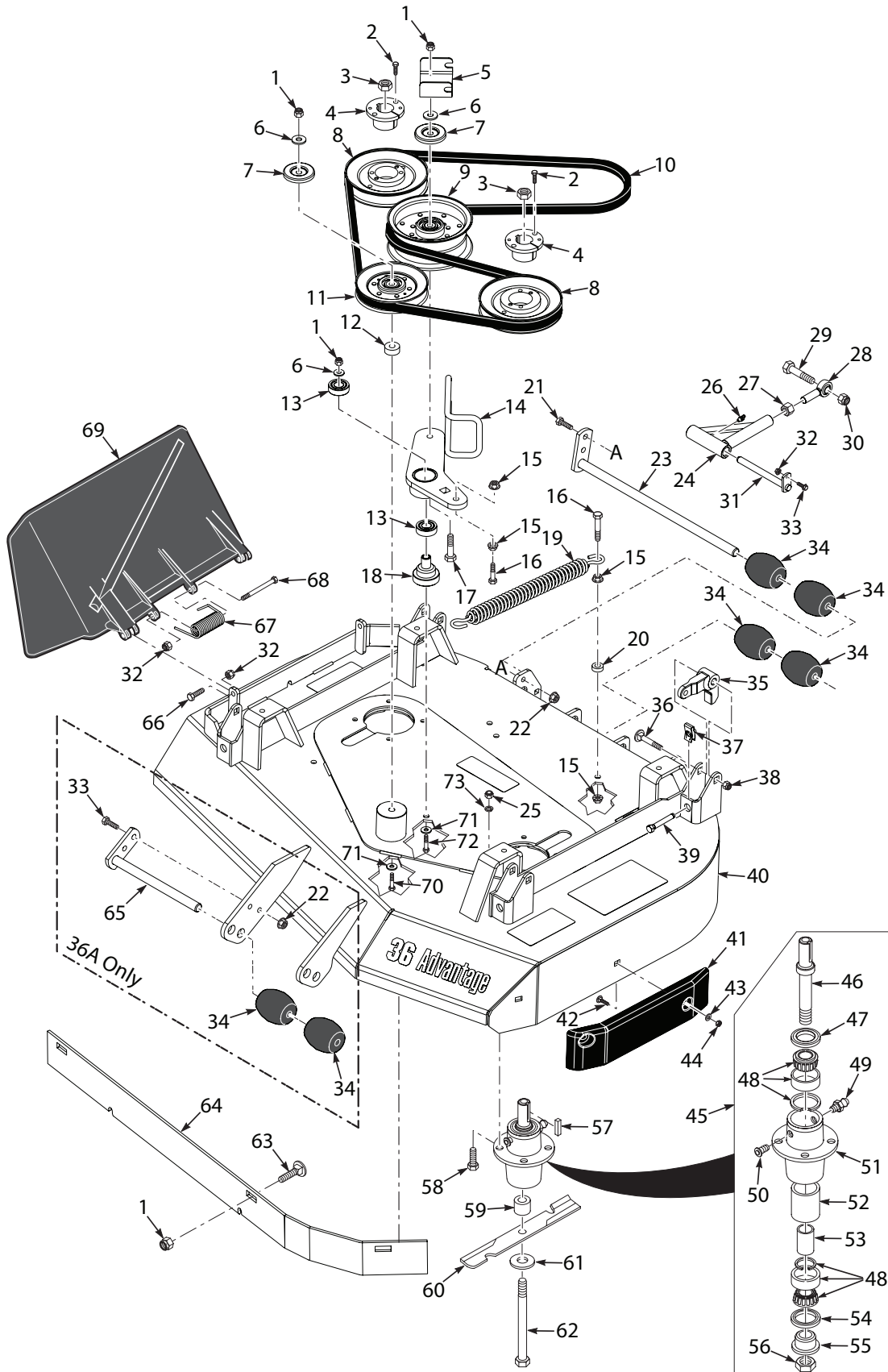
Scag approved attachments and accessories:

- Mulch Plate (32 & 36) p/n 9258 (48) p/n 9286 (52) p/n 9287 (61) p/n 9288
- Hurricane Mulch (36,48,52,61)(p/n 9263, 9283, 9284, 9285)
- GC-F4 (p/n 9075)
- GC-VRII (48,52,61)(p/n 901M, 901N, 901P)
- SVRII-OCDC (48,52,61)(p/n 923N, 923P, 923Q)
- SVRII Lights (p/n 923R)
- Air Filter Indicator (p/n 922U) - 48/52/61 with Kawasaki Engines Only
- Blade Buddy (p/n 9212)
- Chrome Wheel Covers (p/n 920J) - 48/52/61 Only

Scag Premium Lubricants:

- Chassis Grease (p/n 486257)
- Spindle Grease (p/n 486258)
- 20W50 Oil - Gallon (p/n 486254)
- 20W50 Oil - Quart (p/n 486255)

SVR11-32A / 36A CUTTER DECK

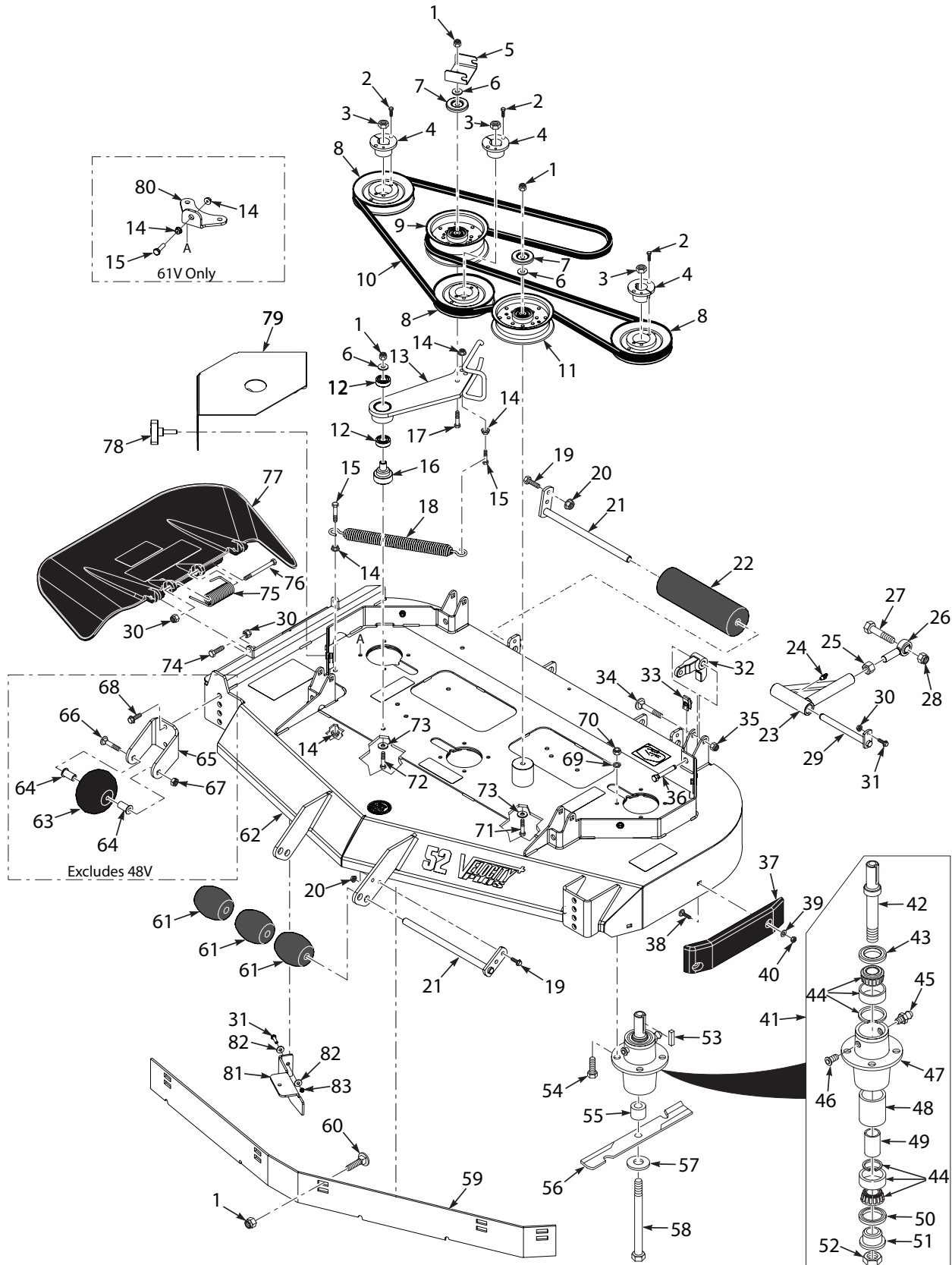


SVR11-32A / 36A CUTTER DECK

Ref. No.	Part No.	Description
1	04021-09	Nut, Elastic Stop 3/8-16
2	04001-172	Bolt, Hex Head 1/4-20 x 1" Gr.8
3	04020-09	Nut, 5/8-11
4	48926	Tapered Locking Hub
5	424615	Bracket, Belt Guide
6	04043-04	Washer, Flat 3/8-.391 x .938 x .105 HD
7	424367	Dustshield
8	483284	Pulley, 5.73" Dia. (36)
	483282	Pulley, 5.13" Dia. (32)
9	483210	Pulley, 5" Idler
10	486023	Belt, Cutter Deck
11	48181	Pulley, Idler
12	43077	Spacer
13	48224	Bearing
14	462984	Idler Arm Assembly (Incl. #13)
15	04019-04	Nut, Serrated Flange 3/8-16
16	04001-136	Bolt, Hex Head 3/8-16 x 1-1/2" Gr. 8
17	04001-62	Bolt, Hex Head 3/8-16 x 3-1/4"
18	43816	Pivot, Idler
19	484020	Spring
20	43063	Spacer
21	04003-04	Bolt, Carriage 5/16-18 x 1"
22	04117-01	Nut, Flange Elastic Stop 5/16-18
23	452236	Shaft Weldment
24	462323	Pusharm Assembly, LH (INCL. 26,27,28)
	462324	Pusharm Assembly, RH (INCL. 26,27,28)
25	04021-22	Nut, Elastic Stop 5/16-18 Gr. 8
26	48114-08	Grease Fitting, 90 Degree
27	04020-16	Nut, 5/16-18 UNF
28	48763	Rod End, 5/8 - Male RH
29	04001-79	Bolt, Hex Head 5/8-11 x 4-1/2"
30	04021-13	Nut, Elastic Stop 5/8-11
31	451724	Shaft Weldment, Pusharm Mounting
32	04021-10	Nut, Elastic Stop 5/16-18
33	04001-09	Bolt, Hex Head 5/16-18 x 1"
34	482295	Wheel, Anti-Scalp
35	485528	Lever, Deck Level
36	04003-42	Bolt, Carriage 7/16-14 x 2-1/4"
37	04110-03	U-Nut, 3/8-16
38	04021-11	Nut, Elastic Stop 7/16-14
39	04107-05	Bolt, Hex Head 3/8-16 x 2 1/2" Special Lock
40	462986	Cutter Deck w/Decals (36)
	463197	Cutter Deck w/Decals (32)
41	483174	Pad, Wear
42	04003-12	Bolt, Carriage 5/16-18 x 3/4"
43	04040-04	Washer, Flat 5/16-.344 x .688 x .065
44	04021-04	Nut, Center Lock 5/16-18

Ref. No.	Part No.	Description
45	461633	Spindle Assembly (INCL. 46,47,48,49,50, 51,52,53,54,55,56)
46	43589	Spindle Shaft
47	481024	Seal, Cutter Spindle
48	481022	Bearing, Tapered
49	48114-04	Grease Fitting
50	48677	Relief Fitting, Cutter Spindle
51	43644	Spindle Housing
52	43312	Spacer, Outside
53	43296	Spacer, Inside
54	481025	Seal, Cutter Spindle
55	43297	Spindle Bushing
56	481035	Nut, 1.06 - 18
57	04063-08	Key, 1/4 x 1/4 x 2"
58	04001-176	Bolt, Hex Head 5/16-18 x 1-3/4" Gr. 8
59	43590	Spacer, Spindle Bottom
60	482878	Cutter Blade, 18" (36)
	482877	Cutter Blade, 16.5" (32)
61	04043-06	Washer, Flat 5/8-.688 x 1.75 x .134 HD
62	04001-41	Bolt, Hex Head 5/8-11 x 9-1/2"
63	04003-23	Bolt, Carriage 3/8-16 x 1"
64	423783	Baffle, Flange (36)
	428014	Baffle, Flange (32)
65	451926	Shaft Weldment
66	04001-12	Bolt, Hex Head 5/16-18 x 1-3/4"
67	482245	Spring, Discharge Chute
68	04001-154	Bolt, Hex Head 5/16-18 x 4-3/4"
69	461295	Discharge Chute Assy.
	462469	Discharge Chute Assy. (CA)
70	04001-198	Bolt, Hex Head 3/8-16 x 4-3/4"
71	04041-11	Washer, Flat 3/8-.406 x 1.50 x .179
72	04001-62	Bolt, Hex Head 3/8-16 x 3-1/4"
73	04030-03	Washer, Lock 5/16"

SVR11-48V, 52V & 61V CUTTER DECKS

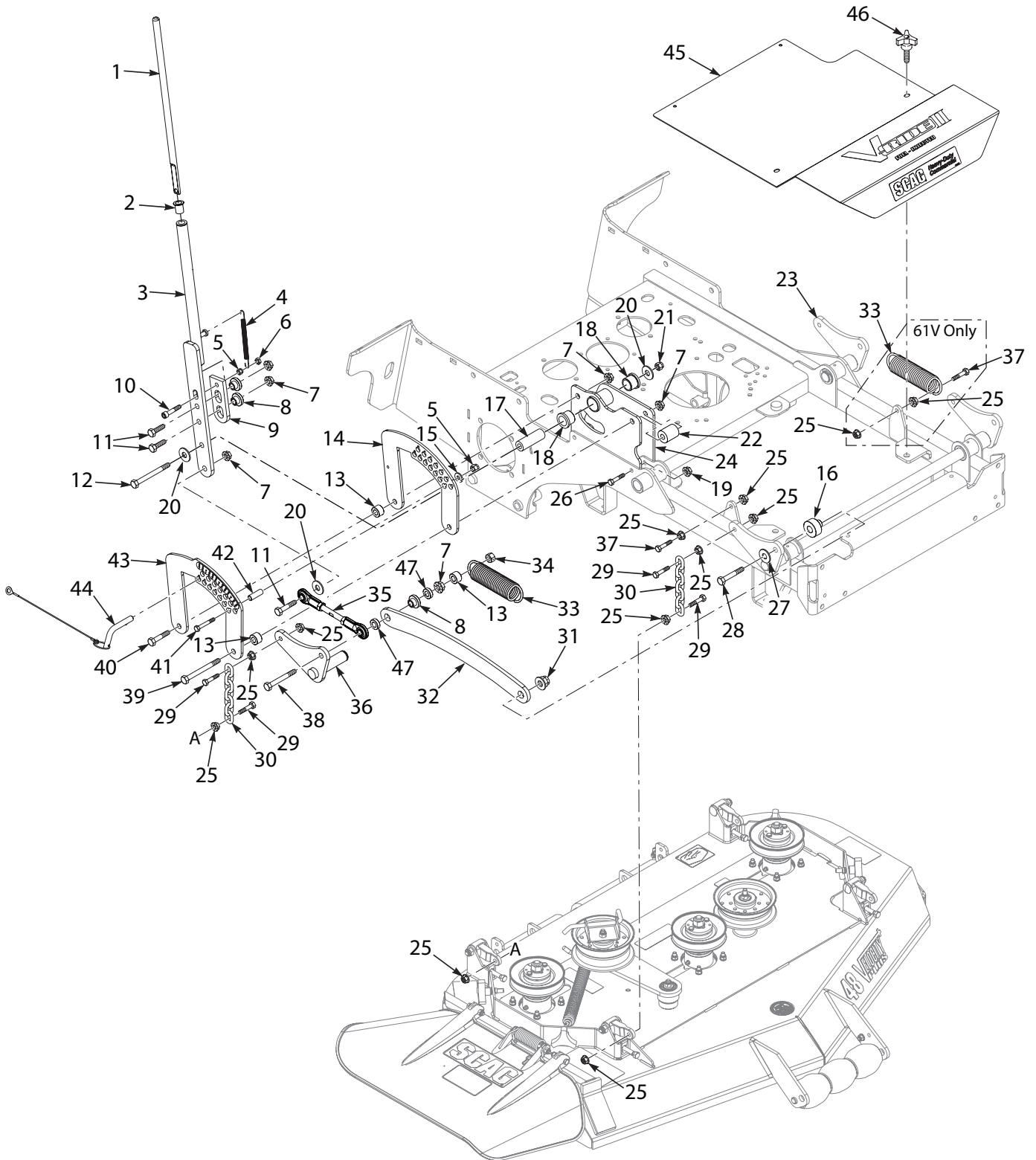


SVR11-48V, 52V & 61V CUTTER DECKS

Ref. No.	Part No.	Description
1	04021-09	Nut, Elastic Stop 3/8-16
2	04001-172	Bolt, Hex Head 1/4-20 x 1" Gr.8
3	04020-09	Nut, 5/8-11
4	48926	Tapered Hub
5	424615	Bracket, Belt Guide
6	04043-04	Washer, Flat 3/8-.391 x .938 x .105 HD
7	424367	Dust Shield
8	483282	Pulley, 5.13" Dia. - 48V
	483284	Pulley, 5.73" Dia. - 52V
	483286	Pulley, 6.32" Dia - 61V
9	483210	Pulley, 5" Idler
10	483966	Belt, Cutter Deck - 48V
	484100	Belt, Cutter Deck - 52V
	486586	Belt, Cutter Deck - 61V
11	483215	Pulley, 5" Idler
12	48224	Bearing
13	462973	Idler Arm Assy. - 48V (Incl. #12)
	462975	Idler Arm Assy. - 52V (Incl. #12)
	462333	Idler Arm Assy. - 61V (Incl. #12)
14	04019-04	Nut, Serrated Flange 3/8-16
15	04001-136	Bolt, Hex Head 3/8-16 x 1-1/2" Gr.8
16	43681	Pivot, Idler
17	04001-62	Bolt, Hex Head 3/8-16 x 3-1/4"
18	484020	Spring
19	04001-09	Bolt, Hex Head 5/16-18 x1"
20	04117-01	Nut, Flange Elastic Stop 5/16-18
21	45944	Shaft Weldment
22	483997	Guide Roller
23	463289	Pusharm Assy, LH
	463290	Pusharm Assy, RH
24	48114-08	Grease Fitting, 90 Degree
25	04020-16	Nut, 5/8-18 UNF
26	48763	Rod End, 5/8 Male RH
27	04001-79	Bolt, Hex Head 5/8-11 x 4-1/2"
28	04021-13	Nut, Elastic Stop 5/8-11
29	451724	Shaft Weldment, Pusharm Mounting
30	04021-10	Nut, Elastic Stop 5/16-18
31	04001-09	Bolt, Hex Head 5/16-18 x 1"
32	485528	Lever, Deck Level
33	04110-03	U-Nut, 3/8-16
34	04003-42	Bolt, Carriage 7/16-14 x 2-1/4"
35	04021-11	Nut, Elastic Stop 7/16-14
36	04107-05	Bolt, Hex Head 3/8-16 x 2-1/2" Special Lock
37	483176	Pad, Wear
38	04003-12	Bolt, Carriage 5/16-18 x 3/4"
39	04040-04	Washer, Flat 5/16-.344 x .688 x .065
40	04021-04	Nut, Center Lock 5/16-18
41	461663	Spindle Assembly
42	43589	Spindle Shaft
43	481024	Seal, Cutter Spindle
44	481022	Bearing, Tapered

Ref. No.	Part No.	Description
45	48114-04	Grease Fitting
46	48677	Relief Fitting, Cutter Spindle
47	43644	Spindle Housing
48	43312	Spacer, Outside
49	43296	Spacer, Inside
50	481025	Seal, Cutter Spindle
51	43297	Spindle Bushing
52	481035	Nut, 1.06 - 18
53	04063-08	Key, 1/4 x 1/4 x 2"
54	04001-176	Bolt, Hex Head 5/16-18 x 1-3/4" Gr.8
55	43590	Spacer, Spindle Bottom
56	482877	Cutter Blade, 16-1/2" (48V)
	482878	Cutter Blade, 18" (52V)
	482881	Cutter Blade, 21" (61V)
57	04043-06	Washer, Flat 5/8-.688 x 1.75 x .134 HD
58	04001-41	Bolt, Hex Head 5/8-11 x 9-1/2"
59	424839	Baffle, Flange - 48V
	424840	Baffle, Flange - 52V
	424841	Baffle, Flange - 61V
60	04003-23	Bolt, Carriage 3/8-16 x 1"
61	482295	Wheel, Anti-Scalp
62	463356	Cutter Deck w/Decals - 48V
	463357	Cutter Deck w/Decals - 52V
	463358	Cutter Deck w/Decals - 61V
63	481632	Wheel, Anti-Scalp (Incl. #64)
64	48100-15	Bushing, Bronze
65	422478	Bracket, Anti-Scalp Wheel
66	04003-26	Bolt, Carriage 3/8-16 x 4"
67	04021-05	Nut, Center Lock 3/8-16
68	04017-27	Bolt, Hex Head Serrated Flange 3/8-16 x 1"
69	04030-03	Washer, Lock 5/16"
70	04021-22	Nut, Elastic Stop 5/16-18 Gr. 8
71	04001-47	Bolt, Hex Head 3/8-16 x 5"
72	04001-62	Bolt, Hex Head 3/8-16 x 3-1/4"
73	04041-38	Washer, Flat 3/8-.406 x 2.25 x .1875
74	04001-12	Bolt, Hex Head 5/16-18 x 1-3/4"
75	483378	Spring, Discharge Chute
76	04001-154	Bolt, Hex Head 5/16-18 x 4-3/4"
77	461844	Discharge Chute Assy. - 48V
	461845	Discharge Chute Assy. - 52V
	461846	Discharge Chute Assy. - 61V
78	481625-01	Knob w/Stud
79	427310	Belt Cover, LH - 48V
	427306	Belt Cover, RH - 48V
	427264	Belt Cover - 52V
	427363	Belt Cover, RH - 61V
	427362	Belt Cover, LH - 61V
80	427399	Anchor Bracket - 61V
81	424677	Turbo Baffle - 48V / 52V
	424209	Turbo Baffle - 61V
82	04040-15	Washer, Flat 5/16-.375 x .875 x .083
83	04021-10	Nut, Elastic Stop 5/16-18

SVR11 CUTTER DECK CONTROLS

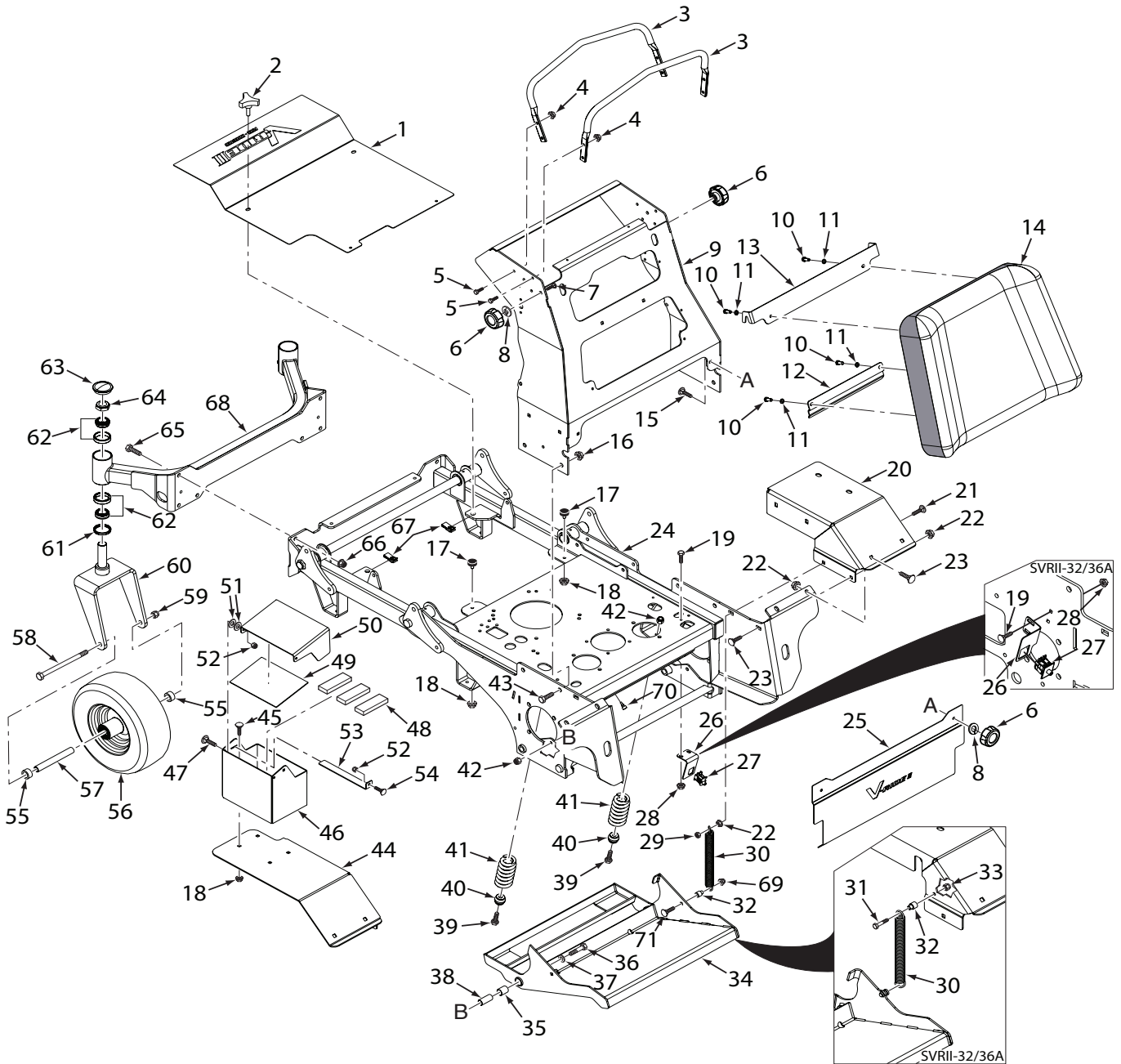


SVRII CUTTER DECK CONTROLS

Ref. No.	Part No.	Description
1	43747	Rod, Actuator, Deck Latch
2	483453-14	Bearing, .625 ID
3	452811	Handle Weldment, Deck Latch
4	483600	Spring, Deck Latch
5	04021-09	Nut, Elastic Stop 3/8-16
6	04021-05	Nut, Center Lock 3/8-16
7	04019-06	Nut, Serrated Flange 1/2-13
8	431087	Bushing, Deck Lift
9	424652	Deck Latch, Outer
10	04015-41	Capscrew, Socket Head 3/8-16 x 1-3/4"
11	04001-183	Bolt, Hex Head 1/2-13 x 1-3/4"
12	04001-194	Bolt, Hex Head 1/2-13 x 4-1/4"
13	43806	Spacer, Deck Linkage
14	427219	Bracket, Deck Height
15	04041-07	Flatwasher, 3/8-.391 x .938 x .105
16	431088	Bushing, Deck Lift
17	43872	Sleeve, Pivot
18	483453-03	Bearing
19	04117-02	Nut, Elastic Stop, 3/8-16
20	04040-13	Flatwasher, 1/2-.562 x .375 x .109
21	04021-07	Nut, Elastic Stop 1/2-13
22	431054	Spacer, Decklift Pivot
23	452808	Arm Weldment, LH
24	462951	Deck Lift Pivot Assy. (Incl. #18)

Ref. No.	Part No.	Description
25	04019-04	Nut, Serrated Flange 3/8-16
26	04001-19	Bolt, Hex Head 3/8-16 x 1"
27	04043-08	Washer, Flat, 1/2-.562 x 1.375 x .109 HD
28	04001-52	Bolt, Hex Head 1/2-13 x 2-1/2"
	04001-183	Bolt, Hex Head 1/2-13 x 1-3/4" LH Decklift (32/36)
29	04001-20	Bolt, Hex Head 3/8-16 x 1-1/2"
30	462940	Chain Assy. (INCL #25,29)
31	04117-04	Nut, Flange Elastic Stop 1/2-13
32	427221	Link, Deck Lift
33	483374	Spring, Deck Lift
34	04021-19	Nut, Center Lock 1/2-13
35	486821	Link, Deck Lift
36	452809	Arm Weldment, RH
37	04001-136	Bolt, Hex Head 3/8-16 x 1-1/2" Gr.8
38	04001-145	Bolt, Hex Head 1/2-13 x 3 1/2"
39	04001-87	Bolt, Hex Head 1/2-13 x 4"
40	04001-72	Bolt, Hex Head 1/2-13 x 2"
41	04001-46	Bolt, Hex Head 3/8-16 2-1/4"
42	43668	Spacer
43	427288	Bracket, Deck Height - Outer
44	485857	Pin Assy. w/Lanyard
45	462971	Belt Cover w/Decals
46	481625-01	Knob w/Stud
47	43508	Spacer

SVRII-32A / 36A SHEET METAL COMPONENTS

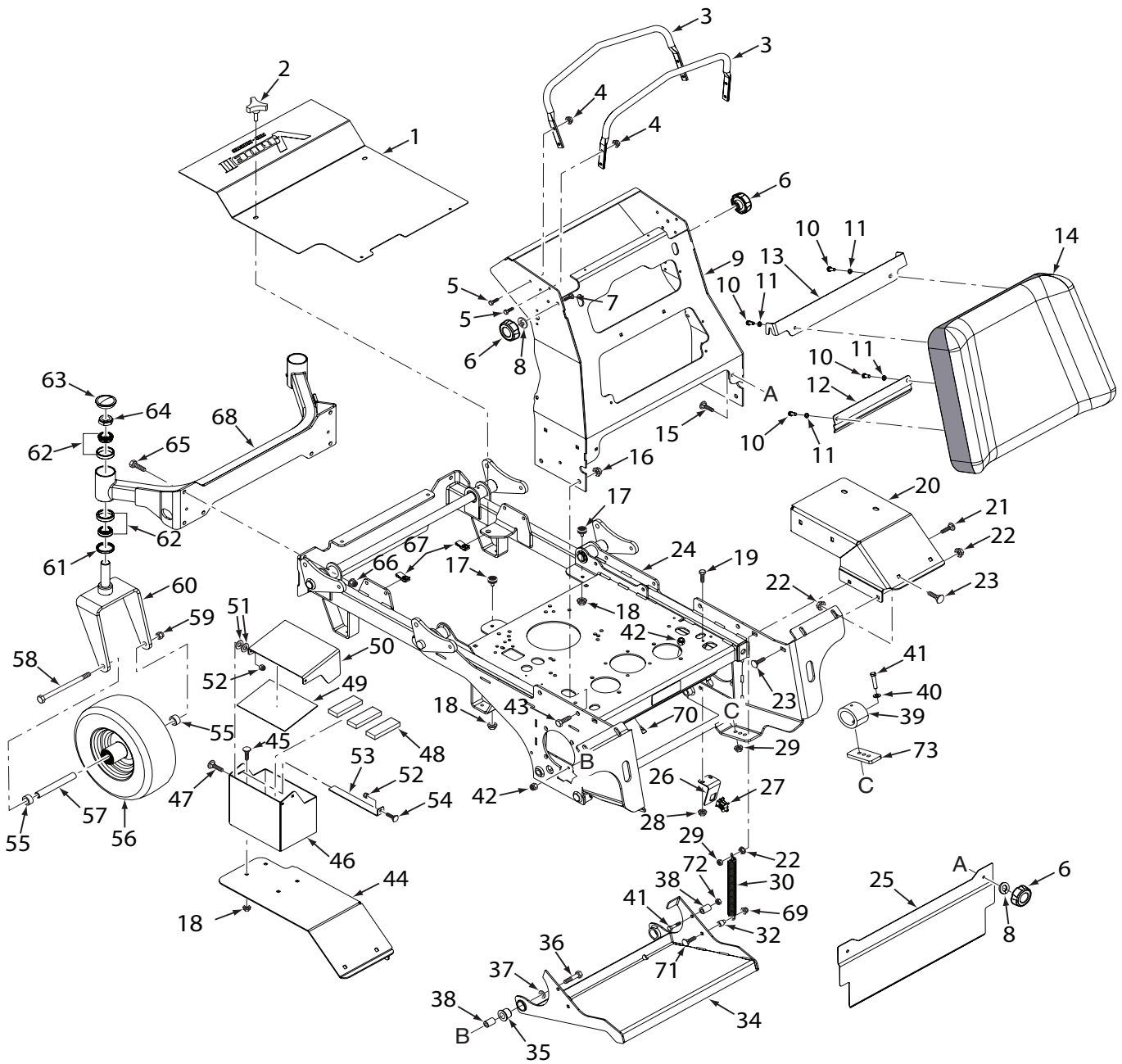


SVR11-32A / 36A SHEET METAL COMPONENTS

Ref. No.	Part No.	Description
1	462971	Belt Cover w/Decals
2	481625-01	Knob w/Stud
3	427189	Reference Bar
4	04019-03	Nut, Serrated Flange 5/16-18
5	04001-08	Bolt, Hex Head 5/16-18 x 3/4"
6	481885-06	Knob, 5/16-18
7	04003-04	Bolt, Carriage 5/16-18 x 1"
8	04024-03	Nut, Push-On 5/16
9	452872	Handlebar Weldment, (32/36)
10	04001-08	Bolt, Hex Head 5/16-18 x 3/4"
11	04030-03	Washer, Lock 5/16"
12	427292	Bracket, Knee Pad - Lower
13	427289	Bracket, Knee Pad - Upper
14	463	Operator Pad Assy, (32/36)(INCL. 10,11,12,13)
15	04003-12	Bolt, Carriage 5/16-18 x 3/4"
16	04112-05	Nut, Spiral Lock 1/2-13
17	481284	Rubber Bumper
18	04019-03	Nut, Serrated Flange 5/16-18
19	04001-01	Bolt, Hex Head 1/4-20 x 3/4"
	04003-02	Bolt, Carriage 1/4-20 x 3/4" - (32/36)
20	428068	Fender, RH - (32/36)
21	04003-31	Bolt, Carriage 3/8-16 x 3/4" - (32/36)
22	04019-04	Nut, Serrated Flange 3/8-16
23	04003-31	Bolt, Carriage 3/8-16 x 3/4"
24	463172	Mainframe Assy. - SVR11- (32/36)
25	427	Guard, Foot - (32/36)
26	427481	Switch Bracket, OPC Switch - (32/36)
27	484497	Switch, Double Pole OPC - (32/36)
28	04019-02	Nut, Serrated Flange 1/4-20
29	04117-02	Nut, Flange Elastic Stop 3/8-16
30	48755	Spring
31	04001-11	Bolt, Hex Head 5/16-18 x 1-1/2"
32	43602	Spacer
33	04021-10	Nut, Elastic Stop 5/16-18
34	462959	Footplate Assy, SVR11-32/36 (Incl. #35)
35	483453-04	Bearing
36	04001-31	Bolt, Hex Head 3/8-16 x 2 1/2" - (32/36)
37	04041-07	Washer, Flat 3/8-.391 x .938 x .105
38	43572	Spacer
39	04001-21	Bolt, Hex Head 3/8-16 x 1-3/4"
40	43867	Mount, Spring

Ref. No.	Part No.	Description
41	484479	Spring, Suspension Platform
42	04021-09	Nut, Elastic Stop 3/8-16
43	04017-36	Bolt, Hex Head Serrated Flange 1/2-13 x 1"
44	428067	Fender, LH - (32/36)
45	04003-12	Bolt, Carriage 5/16-18 x 3/4"
46	427316	Battery Box, Lower
47	04001-01	Bolt, Hex Head 1/4-20 x 3/4"
48	48661	Pad, Rubber
49	485692	Insulation, Battery Cover
50	428066	Battery Box, Upper
51	04040-14	Washer, Flat 1/4-.312 x .750 x .065
52	04021-08	Nut, Elastic Stop 1/4-20
53	427318	Battery Box Latch
54	04003-02	Bolt, Carriage 1/4-20 x 3/4"
55	43584	Spacer, Caster Wheel
56	921D	Caster Wheel Assy., 11 x 4 (32/36)
57	43844	Sleeve, Caster Wheel (32/36)
58	04001-80	Bolt, Hex Head 1/2-13 x 6-1/2" (32/36)
59	04021-07	Nut, Elastic Stop 1/2-13
60	452034	Yoke Weldment (32/36)
61	481025	Seal, 2" x 1.625 Bore
62	48668	Bearing w/ Race
63	484195	Cap, Grease
64	04021-20	Nut, Elastic Stop 1" - 14 Jam
65	04001-28	Bolt, Hex Head 7/16-14 x 1-1/4"
66	04117-05	Nut, Flange Elastic Stop 7/16-14
67	04110-04	U-Nut, 3/8-16
68	452870	Caster Support Weldment (32/36)
69	04117-01	Nut, Flange Elastic Stop 5/16-18
70	485846	Bumper, Plug Footguard
71	04003-13	Bolt, Carriage, 5/16-18 x 1 1/2"

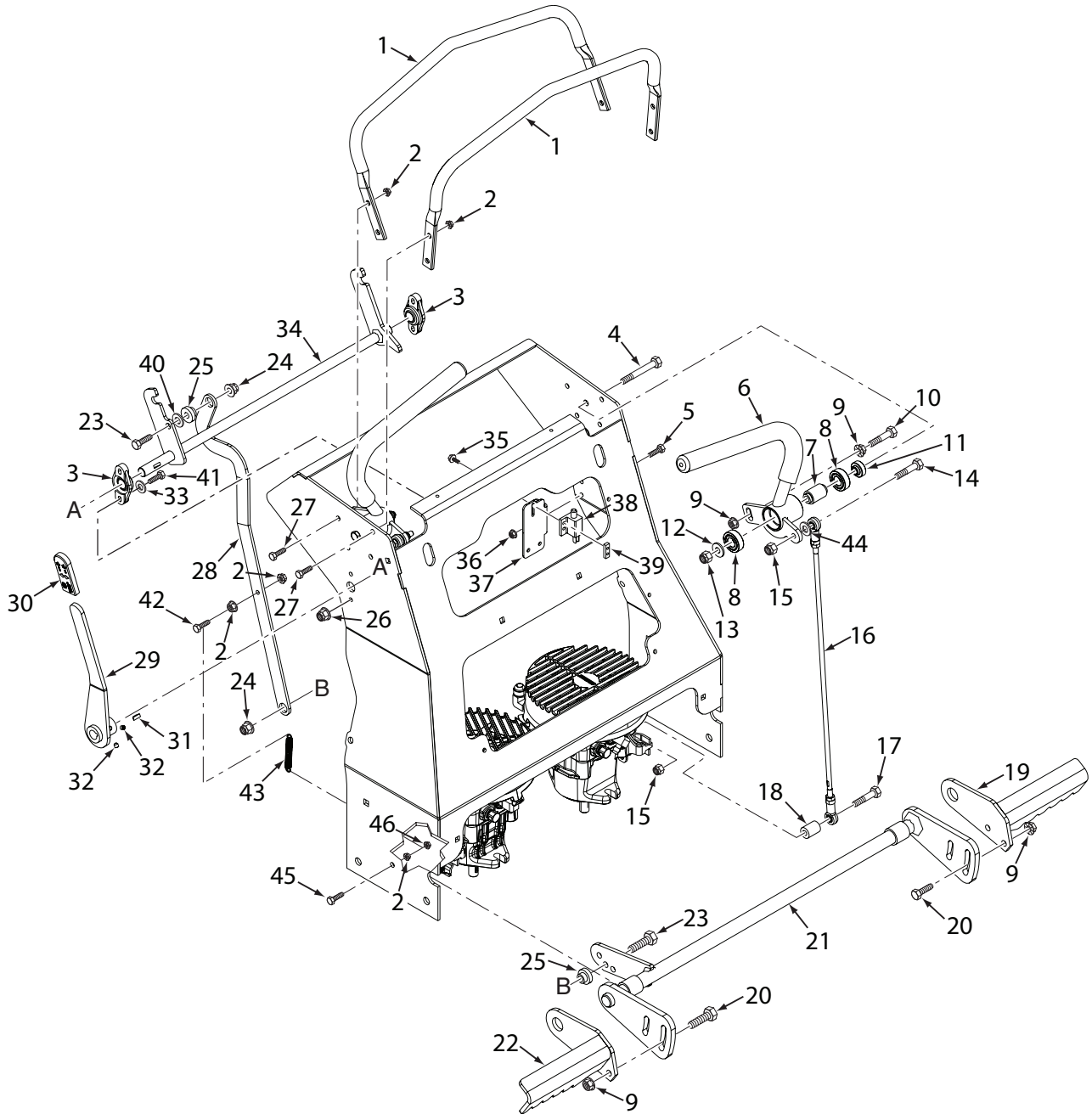
SVRII SHEET METAL COMPONENTS



SVRII SHEET METAL COMPONENTS

Ref. No.	Part No.	Description	Ref. No.	Part No.	Description
1	463315	Belt Cover w/Decals	41	04001-21	Bolt, Hex Head 3/8-16 x 1-3/4"
2	481625-01	Knob w/Stud	42	04021-09	Nut, Elastic Stop 3/8-16
3	427189	Reference Bar	43	04017-36	Bolt, Hex Head Serrated Flange 1/2-13 x 1"
4	04019-03	Nut, Serrated Flange 5/16-18	44	427252	Fender, LH
5	04001-08	Bolt, Hex Head 5/16-18 x 3/4"	45	04003-12	Bolt, Carriage 5/16-18 x 3/4"
6	481885-06	Knob, 5/16-18	46	427316	Battery Box, Lower
7	04003-04	Bolt, Carriage 5/16-18 x 1"	47	04001-01	Bolt, Hex Head 1/4-20 x 3/4"
8	04024-03	Nut, Push-On 5/16	48	48661	Pad, Rubber
9	452872	Handlebar Weldment, (32/36)	49	485692	Insulation, Battery Cover
	452832	Handlebar Weldment, SVRII	50	428066	Battery Box, Upper
10	04001-08	Bolt, Hex Head 5/16-18 x 3/4"	51	04040-14	Washer, Flat 1/4-.312 x .750 x .065
11	04030-03	Washer, Lock 5/16"	52	04021-08	Nut, Elastic Stop 1/4-20
12	427292	Bracket, Knee Pad - Lower	53	427318	Battery Box Latch
13	427289	Bracket, Knee Pad - Upper	54	04003-02	Bolt, Carriage 1/4-20 x 3/4"
14	463291	Operator Pad Assy, SVRII (INCL. 10,11,12,13)	55	43584	Spacer, Caster Wheel
15	04003-12	Bolt, Carriage 5/16-18 x 3/4"	56	9277	Caster Wheel Assy., 13 x 5 (48 / 52)
16	04112-05	Nut, Spiral Lock 1/2-13		9278	Caster Wheel Assy., 13 X 6.5 (61)
17	481284	Rubber Bumper	57	43581	Sleeve, Caster Wheel (48 / 52)
18	04019-03	Nut, Serrated Flange 5/16-18		43583	Sleeve, Caster Wheel (61)
19	04001-01	Bolt, Hex Head 1/4-20 x 3/4"	58	04001-134	Bolt, Hex Head 1/2-13 x 7-1/2" (48 / 52)
20	427253	Fender, RH		04001-167	Bolt, Hex Head 1/2-13 x 9-1/2" (61)
21	04003-05	Bolt, Carriage 3/8-16 x 1-1/2"	59	04021-07	Nut, Elastic Stop 1/2-13
22	04019-04	Nut, Serrated Flange 3/8-16	60	451471	Yoke Weldment (48 / 52)
23	04003-31	Bolt, Carriage 3/8-16 x 3/4"		451658	Yoke Weldment (61)
24	463270	Mainframe Assy. - SVRII	61	481025	Seal, 2" x 1.625 Bore
25	428479	Guard, Foot -SVRII	62	48668	Bearing w/ Race
26	427249	Switch Bracket, OPC Switch	63	484195	Cap, Grease
27	48717	Switch, OPC - SVRII	64	04021-20	Nut, Elastic Stop 1" - 14 Jam
28	04019-02	Nut, Serrated Flange 1/4-20	65	04001-28	Bolt, Hex Head 7/16-14 x 1-1/4"
29	04117-02	Nut, Flange Elastic Stop 3/8-16	66	04117-05	Nut, Flange Elastic Stop 7/16-14
30	48755	Spring	67	04110-04	U-Nut, 3/8-16
31	04001-11	Bolt, Hex Head 5/16-18 x 1-1/2"	68	452861	Caster Support Weldment (48)
32	43602	Spacer		452805	Caster Support Weldment (52)
33	04021-10	Nut, Elastic Stop 5/16-18		452806	Caster Support Weldment (61)
34	463264	Footplate Assy, SVRII (Incl. #35)	69	04117-01	Nut, Flange Elastic Stop 5/16-18
35	483453-04	Bearing	70	485846	Bumper, Plug Footguard
36	04001-45	Bolt, Hex Head 3/8-16 x 2"	71	04003-13	Bolt, Carriage, 5/16-18 x 1 1/2"
37	04041-07	Washer, Flat 3/8-.391 x .938 x .105	72	04021-05	Nut, Center Lock 3/8-16
38	43572	Spacer	73	428526	Riser
39	486758	Isolator, Footplate			
40	04040-05	Washer, Flat 3/8-.406 x .812 x .065			

SVR11 STEERING CONTROLS

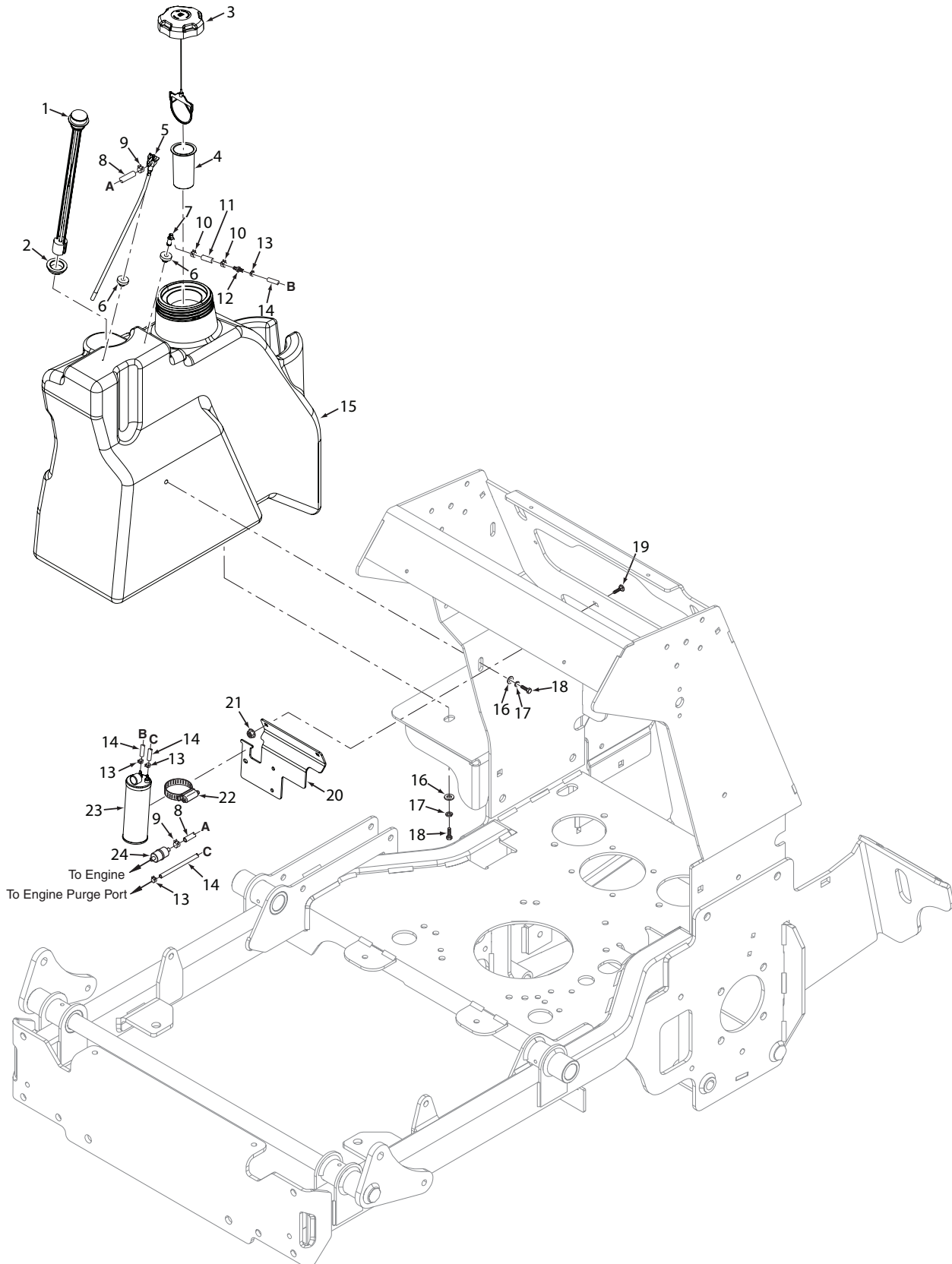


SVRII STEERING CONTROLS

Ref. No.	Part No.	Description
1	427189	Reference Bar
2	04019-03	Nut, Serrated Flange 5/16-18
3	483504	Bearing
4	04001-62	Bolt, Hex Head 3/8-16 x 3-1/4"
5	04001-01	Bolt, Hex Head 1/4-20 x 3/4"
6	462912	Handlebar Assy., LH (Incl.# 7, 8)
	462913	Handlebar Assy., RH (Incl. #7, 8)
7	43600	Spacer, Bearing
8	48224	Bearing
9	04019-04	Nut, Serrated Flange 3/8-16
10	04001-45	Bolt, Hex Head 3/8-16 x 2"
11	431024	Spacer, Controls
12	04043-04	Washer, Flat 3/8-.391 x .938 x .105 HD
13	04021-09	Nut, Elastic Stop 3/8-16
14	04001-10	Bolt, Hex Head 5/16-18 x 1-1/4"
15	04021-10	Nut, Elastic Stop 5/16-18
16	485842	Linkage Assy., Steering
17	04108-02	Screw, Hex Head Socket, 5/16-18 x 1" (32/36)
	04001-17	Bolt, Hex Head 5/16-18 x 2"
18	43976	Spacer (excludes SVRII-32/36A)
19	452883	Brake Paddle Weldment, RH (32/36)
	452842	Brake Paddle Weldment, RH
20	04003-23	Bolt, Carriage 3/8-16 x 1"
21	453139	Bellcrank Weldment, Brake (32/36)
	452829	Bellcrank Weldment, Brake

Ref. No.	Part No.	Description
22	452882	Brake Paddle Weldment, LH (32/36)
	452841	Brake Paddle Weldment, LH
23	04001-32	Bolt Hex Head 3/8-16 x 1-1/4"
24	04117-02	Nut, Flange Elastic Stop 3/8-16
25	48100-30	Bushing, Oilite
26	04117-03	Nut, Flange Elastic Stop 1/4-20
27	04001-08	Bolt, Hex Head 5/16-18 x 3/4"
28	427538	Link, Brank Engage (32/36)
	427547	Link, Brake Engage
29	463020	Brake Lever Assy. - SVRII (Incl. #30,32)
30	481548	Grip, Brake Lever
31	04063-12	Key, Woodruf #604 3/16 x 5/8
32	04012-15	Set Screw 1/4-20 x 1/4"
33	04040-03	Washer, Flat 1/4-.281 x .625 x .065
34	452830	Lock Weldment, Neutral
35	04010-12	Screw, #10-32 x 3/4" Taptite
36	04019-02	Nut, Serrated Flange 1/4-20
37	427269	Bracket, Neutral Switch
38	481545	Switch, Interlock (32/36)
	481637	Switch, Interlock
39	422373	Plate, Threaded
40	04041-07	Washer, Flat 3/8-.391 x .938 x .105 (32/36)
41	04001-14	Bolt, Hex Head, 1/4-20 x 1"
42	04001-11	Bolt, Hex Head, 5/16-18 x 1 1/2"
43	484038	Spring, Brake Return
44	04040-04	Washer, Flat 5/16-.344 x .688 x .065
45	04001-11	Bolt, Hex Head, 5/16-18 x 1 1/2"
	04001-10	Bolt, Hex Head, 5/16-18 x 1 1/4(32)
46	04019-03	Nut, Serrated Flange 5/16-18
	04021-04	Nut, Center Lock, 5/16-18(32)

SVRII 32A FUEL SYSTEM



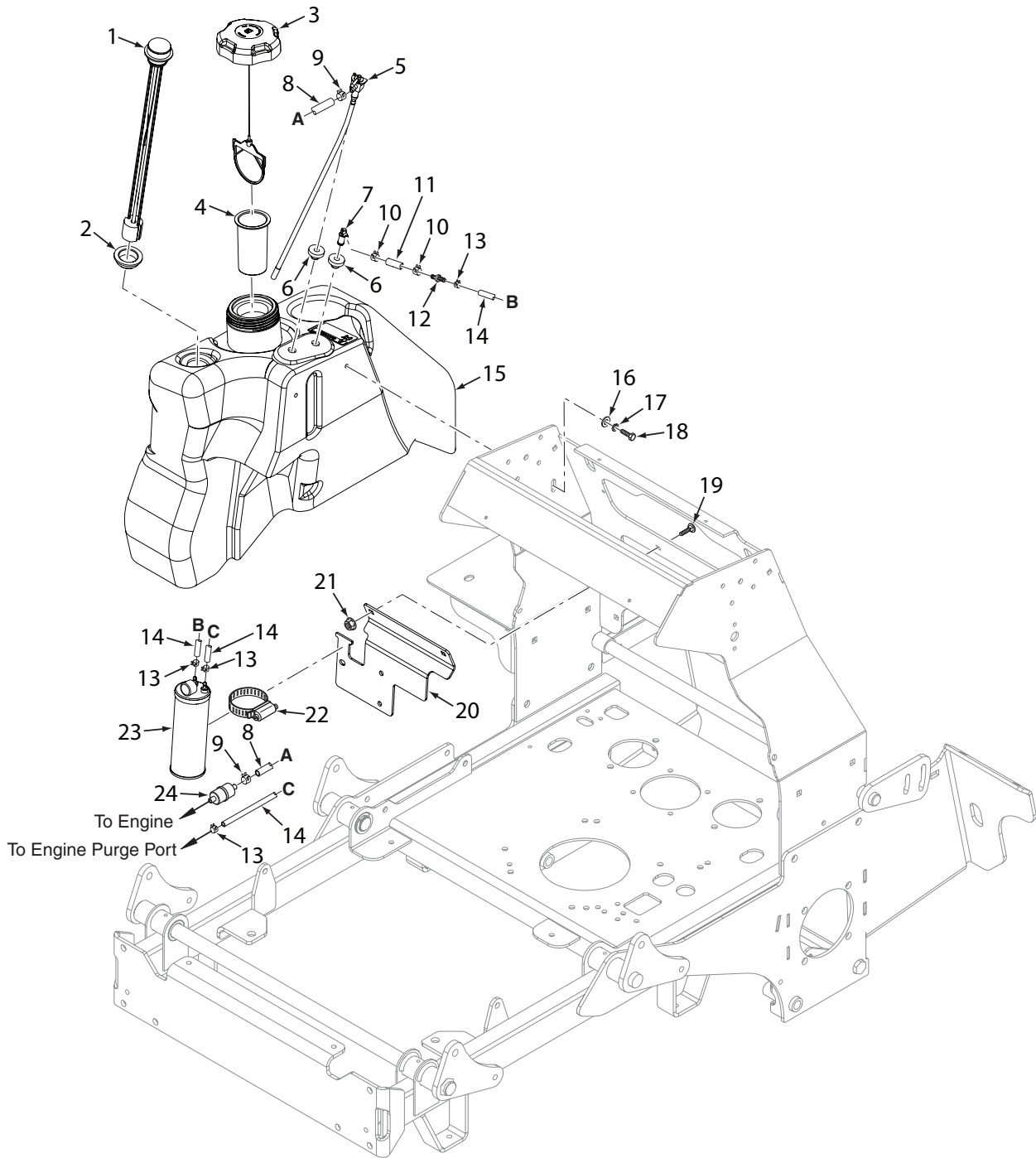
SVRII 32A FUEL SYSTEM

Ref. No.	Part No.	Description
1	486461	Fuel Gauge Assy., 14.6" (32) (Incl. #2)
2	484242	Seal, Fuel Gauge
3	484286	Fuel Cap, Tethered
	484297-01	Fuel Cap, Tethered - CA models only
4	484279-01	Tube, Fuel Tank Insert
5	486460	Valve, Fuel Shutoff (32)
6	482571	Bushing, .56 Viton
7	485923	Remote Vent
8	483617	Fuel Hose, 1/4" ID (order by inch)
9	48059-01	Clamp, Fuel Hose
10	48059-02	Clamp, Fuel Hose 7/32" ID
11	484347	Hose, Vapor Recovery 1/4" (order by inch)
12	484343-01	Mender, 1/4 x 3/16 w/.02 Hole

Ref. No.	Part No.	Description
13	48059-05	Clamp, Vapor Recovery Hose 3/16"
14	484345	Hose, Vapor Recovery 3/16" (order by inch)
15	463167	Fuel Tank Assy., SVRII-32 (Incl. #1,2,5,6,7)
16	04040-15	Washer, Flat 5/16-.375 x .875 x .083
17	04030-03	Washer, Lock 5/16"
18	04001-08	Bolt, Hex Head 5/16-18 x 3/4"
19	04003-12	Bolt, Carriage 5/16-18 x 3/4"
20	427280	Bracket, Hydro Tank Mounting
21	04019-03	Nut, Serrated Flange 5/16-18
22	48136-17	Clamp, 3-1/2"
23	484342	Carbon Canister
	484366	Dust Filter, Canister
24	*	Fuel Filter

* Order through Engine Manufacturer

SVR11 FUEL SYSTEM



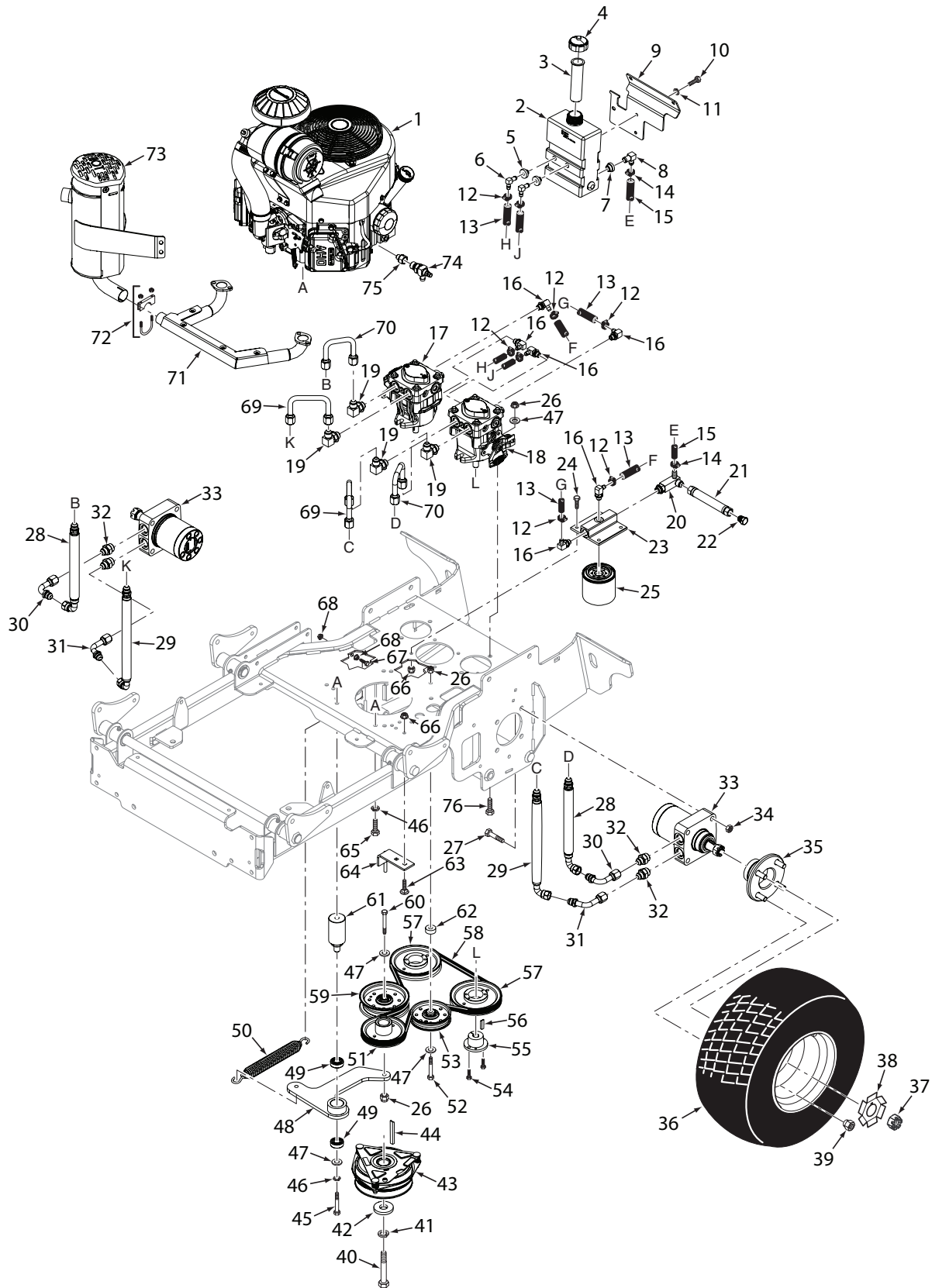
SVRII FUEL SYSTEM

Ref. No.	Part No.	Description
1	485914	Fuel Gauge Assy., 14-1/2" (36) (Incl. #2)
	484246	Fuel Gauge Assy., 16-1/2" (Incl. #2)
2	484242	Seal, Fuel Gauge
3	484286	Fuel Cap, Tethered
	484297-01	Fuel Cap, Tethered - CA models only
4	484279-01	Tube, Fuel Tank Insert
5	485913	Valve, Fuel Shutoff (36)
	483896	Valve, Fuel Shutoff
6	482571	Bushing, .56 Viton
7	485923	Remote Vent
8	483617	Fuel Hose, 1/4" ID (order by inch)
9	48059-01	Clamp, Fuel Hose
10	48059-02	Clamp, Fuel Hose 7/32" ID
11	484347	Hose, Vapor Recovery 1/4" (order by inch)
12	484343-01	Mender, 1/4 x 3/16 w/.02 Hole

Ref. No.	Part No.	Description
13	48059-05	Clamp, Vapor Recovery Hose 3/16"
14	484345	Hose, Vapor Recovery 3/16" (order by inch)
15	463052	Fuel Tank Assy., SVRII-36 (Incl. #1,2,5,6,7)
	463054	Fuel Tank Assy., SVRII (Incl. #1,2,5,6,7)
16	04040-15	Washer, Flat 5/16-.375 x .875 x .083
17	04030-03	Washer, Lock 5/16"
18	04001-08	Bolt, Hex Head 5/16-18 x 3/4"
19	04003-12	Bolt, Carriage 5/16-18 x 3/4"
20	427280	Bracket, Hydro Tank Mounting
21	04019-03	Nut, Serrated Flange 5/16-18
22	48136-17	Clamp, 3-1/2"
23	484342	Carbon Canister
	484366	Dust Filter, Canister
24	*	Fuel Filter

* Order through Engine Manufacturer

SVR11-32A / 36A HYDRAULICS AND ENGINE COMPONENTS



SVR11-32A / 36A HYDRAULICS AND ENGINE COMPONENTS

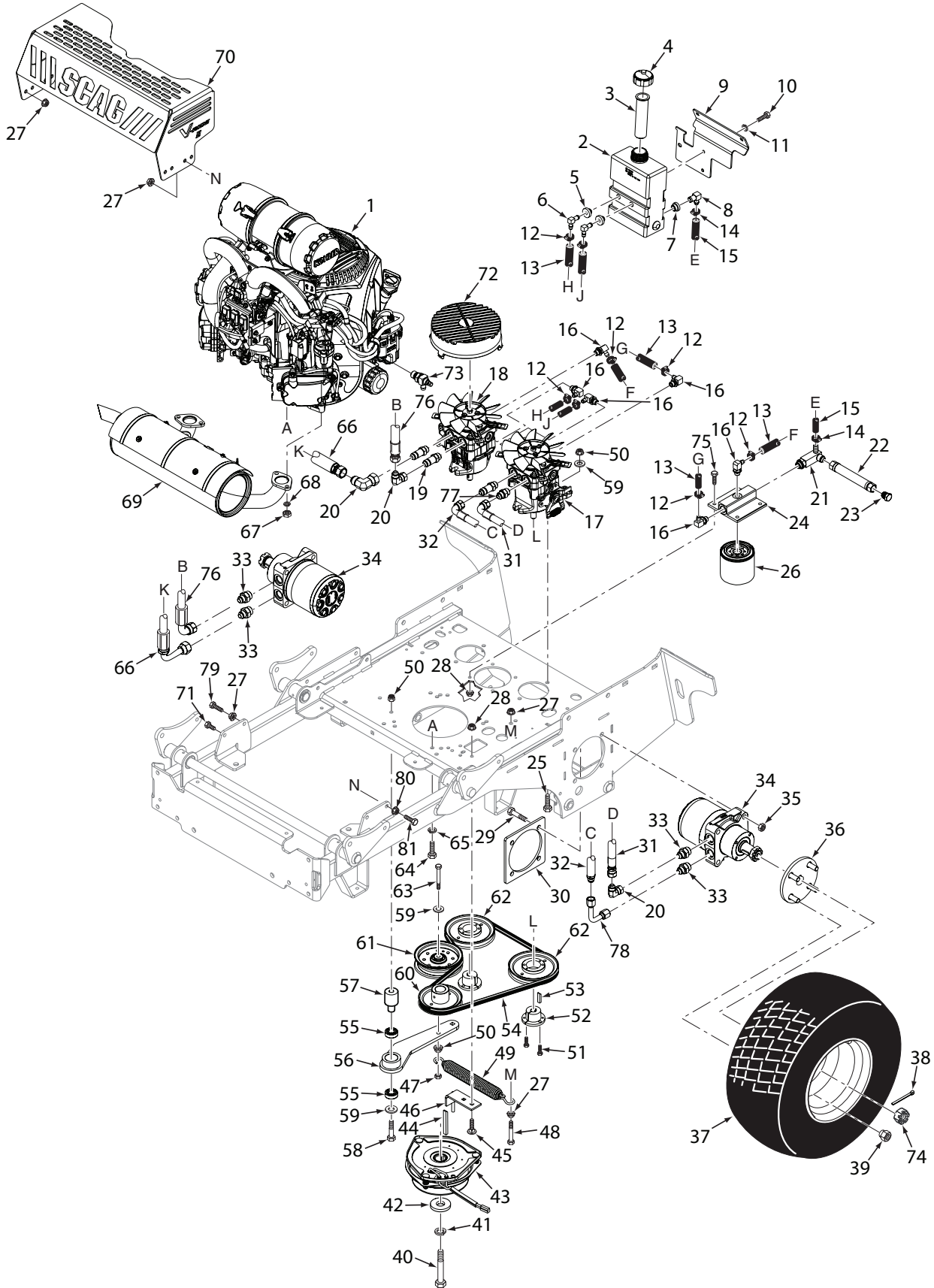
Ref. No.	Part No.	Description
1	*485019	Engine, 19 HP Kawasaki FX
	*486468	Engine, 16 HP Kawasaki FX (32)
2	462946	Hydro Tank Assy., SVR11 (Incl. #3,4,5,6,7,8)
3	481507	Insert, Filler Neck
4	481164	Cap, Hydraulic Tank
5	482571	Bushing, .56 Viton
6	482572	Fitting, 90 Degree x .38 Hose
7	482573	Bushing, .78 Viton
8	482574	Fitting, 90 Degree x .50 Hose
9	427280	Bracket, Hydro Tank Mounting
10	04001-08	Bolt, Hex Head 5/16-18 x 3/4"
11	04030-03	Washer, Lock 5/16"
12	48136-13	Clamp, Hose
13	48811	Hose, 3/8" Pucklock (order by inch)
14	48136-05	Clamp, Hose
15	48351	Hose, 1/2" Pushlock (order by inch)
16	482266-01	Elbow, 90 Degree O-Ring
17	483863	Pump, SVR
18	483862	Pump, SVR
19	48350-02	Elbow, 90 Degree
20	485847	Tee, 3/4" O-Ring
21	485963	Drain Hose Assy. (Incl. #22)
22	48771-02	Plug, JIC 3/4-16 UNF
23	482417	Filter Head
24	04001-08	Bolt, Hex Head 5/16-18 x 3/4"
25	48462-01	Filter
26	04021-09	Nut, Elastic Stop 3/8-16
27	04001-52	Bolt, Hex Head 1/2-13 x 2-1/2"
28	485922	Hose Assy., 11-1/4"
29	484503	Hose Assy., 13-1/4"
30	485903	Tube Assy., 1/2 x 2 x 2"
31	485904	Tube Assy., 1/2 x 2 x 3-1/4"
32	48572-02	Tube, Union 1/2 x 5/8"
33	483388	Wheel Motor
	04063-40	Key, Woodruff 3/16 x 3/4" (not shown)
34	04021-19	Nut, Center Lock 1/2-13
35	462275	Wheel Hub Assembly (36)
	04008-01	Wheel Stud
	463215	Wheel Hub Assembly (32)
	04008-01	Wheel Stud
36	485920	Wheel Assy., 20 x 8 - 10 (36)
	486494	Wheel Assy., 20 x 6.5 - 10 (32)
	485917	Tire, 20 x 8 - 10 (36)
	486495	Tire, 20 x 6.5 -10 (32)
	485918	Rim w/ Valve (36)
	486496	Rim w/ Valve (32)

Ref. No.	Part No.	Description
37	48679	Hex Castle Nut, 3/4-28
38	422214	Lockwasher, Wheel Motor
39	04028-02	Wheel Nut
40	04102-03	Bolt, Hex Head 7/16-20 x 2-1/4" w/ Patch
41	04030-05	Washer, Lock 7/16"
42	04041-28	Washer, Flat 7/16-.469 x 1.75 x .25
43	462166	Clutch w/Tag
44	04063-28	Key, 1/4 x 1/4 x 3-1/2"
45	04001-51	Bolt, Hex Head 3/8-16 x 3-3/4"
46	04030-04	Washer, Lock 3/8"
47	04043-04	Washer, Flat 3/8-.391 x .938 x 105 HD
48	463205	Idler Arm Assy., Pump Drive (INCL. #49)
49	48224	Bearing
50	483526	Spring, Transmission Idler
51	483802	Pulley, 4-3/4" OD - 1.125 Bore
52	04001-46	Bolt, Hex Head 3/8-16 x 2-1/4"
53	483214	Pulley, Idler 4"
54	04001-172	Bolt, Hex Head 1/4-20 x 1" Gr. 8
55	482085	Tapered Hub, 15mm Bore
56	04063-14	Key, 5 x 5 x 25mm
57	482649	Pulley, 5.45 OD - Tapered Bore"
58	485902	Belt, Pump Drive
59	484128	Pulley, Idler 4"
60	04001-46	Bolt, Hex Head 3/8-16 x 2-1/4"
61	43683	Pivot, Idler
62	43720	Spacer, Idler
63	04003-12	Bolt, Carriage 5/16-18 x 3/4"
64	452923	Anti-Rotation Weldment
65	04001-32	Bolt, Hex Head 3/8-16 x 1-1/2"
66	04019-03	Nut, Serrated Flange 5/16-18
67	04001-136	Bolt, Hex Head 3/8-16 x 1-1/2" Gr.8
68	04019-04	Nut, Serrated Flange 3/8-16
69	484524	Tube Assy., 1/2 x 4" Wide
70	485993	Tube Assy., 1/2 x 2" Wide
71	*	Exhaust Manifold, 19 HP Kawasaki FX
	*	Exhaust Manifold, 16 HP Kawasaki FX
72	484334	Muffler Clamp
73	484620	Muffler, Kawasaki
74	483017	Oil Drain
	483280	Tubing, Oil Drain (now shown) (order by inch)
75	485961	Fitting, M14 to M20 Male
76	04001-20	Bolt, Hex Head, 3/8-16 x 1 1/2"
**	48028-02	Cable Tie, .19 x 7" Black

* Order through Engine Manufacturer

** Item not Shown

SVR11-48V / 52V / 61V HYDRAULICS AND ENGINE COMPONENTS



SVRII-48V / 52V / 61V HYDRAULICS AND ENGINE COMPONENTS

Ref. No.	Part No.	Description
1	*485020	Engine, 22 HP Kawasaki FX
	*486149	Engine, 26 HP Kawasaki FT-EFI
	*485134	Engine, 25 HP Kohler EFI
	*485022	Engine, 25 HP Kawasaki FX
	*486577	Engine, 31 HP Kohler EFI
	*486726	Engine, 38 HP Kawasaki FX-EFI
2	462946	Hydro Tank Assy., SVRII (Incl. #3,4,5,6,7,8)
3	481507	Insert, Filler Neck
4	481164	Cap, Hydro Tank
5	482571	Bushing, .56 Viton
6	482572	Fitting, 90 Degree x .38 Hose
7	482573	Bushing, .78 Viton
8	482574	Fitting, 90 Degree x .50 Hose
9	427280	Bracket, Hydro Tank Mounting
10	04001-08	Bolt, Hex Head 5/16-18 x 3/4"
11	04030-03	Washer, Lock 5/16"
12	48136-13	Clamp, Hose
13	48811	Hose, 3/8" Pushlock (order by inch)
14	48136-05	Clamp, Hose
15	48351	Hose, 1/2" Pushlock (order by inch)
16	482266-01	Elbow, 90 Degree - O-Ring
17	486812	Pump, LH - SVRII
18	486813	Pump, RH - SVRII
19	485830	Union, O-Ring to JIC
20	481203-02	Elbow, JIC Swivel
21	485847	Tee, 3/4 O-Ring
22	485870	Drain, Hose Assembly (Incl. #23)
23	48771-02	Plug, JIC 3/4-16 UNF
24	482417	Filter Head
25	04001-20	Bolt, Hex Head 3/8-16 x 1 1/2"
26	48462-01	Filter
27	04019-04	Nut, Serrated Flange 3/8-16
28	04019-03	Nut, Serrated Flange 5/16-18
29	04001-52	Bolt, Hex Head 1/2-13 x 2-1/2"
30	423279	Plate, Motor Backing
31	485602	Hose Assy., 14-1/2"
32	486832	Hose Assy., 18-1/2"
33	48572-02	Tube, Union 1/2 x 5/8
34	482639	Wheel Motor, SVRII (Incl. #74)
	04063-25	Key, Woodruff 5/16 x 1" (not shown)
35	04021-19	Nut, Center Lock 1/2-13
36	462999	Wheel Hub Assy., SVRII
	04008-01	Serrated Bolt, 1/2-20 x 1.563
37	485851	Wheel Assy., 24 x 9.5 - 12 (4-Ply) (48 / 52)
	484104	Tire, 24 x 9.5 - 12 (4-Ply) (48 / 52)
	485852	Rim w/Stem (48 / 52)
	485952	Wheel Assy., 24 x 12 - 12 (4-Ply) (61)
	485953	Tire, 24 x 12 -12 (4-Ply) (61)
	482414	Rim w/Stem (61)
38	04061-06	Pin, Cotter 9/64 x 1"
39	04028-02	Wheel Nut
40	04102-03	Bolt, Hex Head 7/16-20 x 2-1/4" w/ Patch
41	04030-05	Washer, Lock 3/8"
42	04041-28	Washer, Flat 7/16, .469 x 1.75 x .25

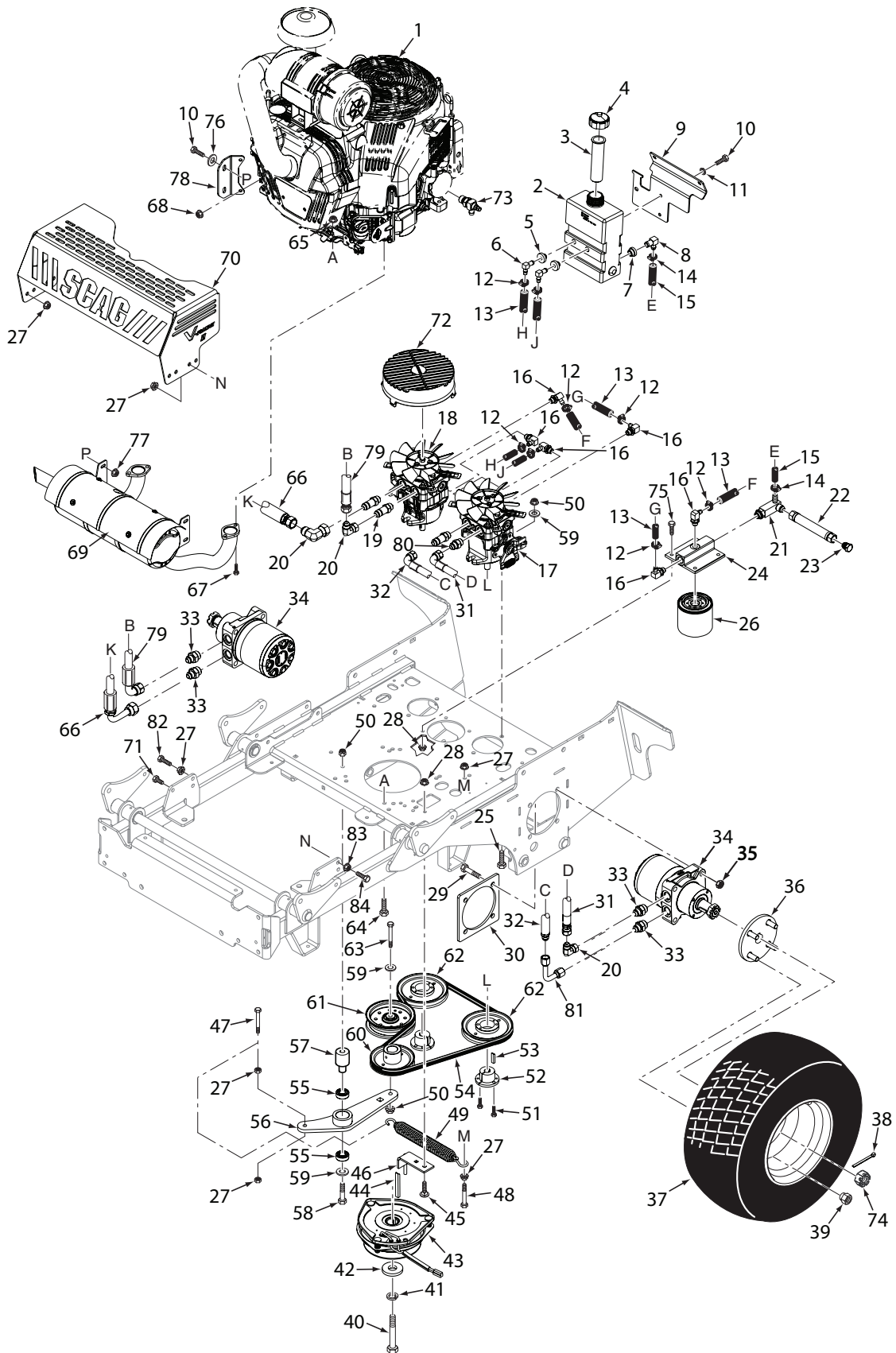
Ref. No.	Part No.	Description
43	462166	Clutch w/Tag GT2.5-FE02 (48 / 52)
	462339	Clutch w/Tag GT3.5-FE05 (61)
44	04063-28	Key, 1/4 x 1/4 x 3-1/2"
45	04003-12	Bolt, Carriage 5/16-18 x 3/4"
46	452923	Anti-Rotation Bracket
47	04021-05	Nut, Center Lock 3/8-16
48	04001-54	Bolt, Hex Head 3/8-16 x 3"
49	483526	Spring, Transmission Idler
50	04021-09	Nut, Elastic Stop 3/8-16
51	04001-172	Bolt, Hex Head 1/4-20 x 1" Gr.8
52	482085	Tapered Hub, 15mm Bore
53	04063-14	Key, 5 x 5 x 25mm
54	483520	Belt, Transmission
55	48224	Bearing
56	462969	Idler Arm Assy. (Incl. #55)
57	43683	Pivot, Idler
58	04001-62	Bolt, Hex Head 3/8-16 x 3-1/4"
59	04043-04	Washer, Flat 3/8-.391 x .938 x .105 HD
60	483802	Pulley, 4.75" OD - 1.125 Bore
61	483213	Pulley, 4-1/2" Idler
62	482649	Pulley, 5.45" OD - Tapered Bore
63	04001-161	Bolt, Hex Head 3/8-16 x 2-3/4" Full Thread
64	04001-32	Bolt, Hex Head 3/8-16 x 1-1/4" (Kawasaki x3 / Kohler 31EFI x4)
	04011-07	Bolt, Hex Head Self-Tap 3/8-16 x 1-1/4" (Kohler x3 - 25EFI)
	04001-11	Bolt, Hex Head 5/16-18 x 1-1/2" (Kohler x1)
	04031-03	Washer, Lock 5/16" Ext. Tooth (Kohler x1)
	04019-03	Nut, Serrated Flange 5/16-18 (Kohler x1)
65	04030-04	Washer, Lock 3/8"
66	484509	Hose Assy., 15-1/4"
67	04025-04	Nut, N8-1.25 (Kawasaki)
	04130-01	Lock Nut, M8-1.25 -8H (Kohler)
68	04033-01	Washer, Lock M8 Spring (Kawasaki)
69	485800	Muffler, Kawasaki FX - SVRII
	485799	Muffler, Kohler CV-EFI - SVRII
	485896	Muffler, Kawasaki FX801 - SVRII
	486815	Muffler, Kawasaki FT26-EFI - SVRII
	485887	Muffler, Kohler, 29 / 31 EFI - SVRII
	486814	Muffler, Kawasaki 38FX-EFI - SVRII
70	428403	Heatshield, Muffler- SVRII
71	04001-18	Bolt, Hex Head 3/8-16 x 3/4"
72	485564	Fan Cover, Pump
73	484089	Oil Drain, M20 Thread (Kawasaki)
	482510	Oil Drain, 3.3" (Kohler 25HP-EFI)
	*	Oil Drain (Kohler 29 / 31-EFI p/n 25 462 13)
	483280	Tubing, Oil Drain (not shown) (order by inch)
74	48680	Nut, Hex Castle
75	04001-09	Bolt, 5/16-18 x 1"
76	485792	Hose Assy., 27-1/2"
77	48572-04	Union, 3/4"-16 JIC x 3/4"-16 O-Ring
78	486837	Tube Assy.
79	04001-136	Bolt, Hex Head 3/8-16 x 1-1/2" Gr. 8
80	04019-04	Nut, Serrated Flange 3/8-16 (61 Only)
81	04001-18	Bolt, Hex Head 3/8-16 x 3/4" (48/52)
	04001-136	Bolt, Hex Head 3/8-16 x 1-1/2" Gr. 8 (61 Only)
***	48028-02	Cable Tie, .19 x 7" Black

* Order through Engine Manufacturer

** Not available through Scag

*** Item not Shown

SVR11-61V-37BV-EFI HYDRAULICS AND ENGINE COMPONENTS



SVRII-61V-37BV-EFI HYDRAULICS AND ENGINE COMPONENTS

Ref. No.	Part No.	Description
1	*486516	Engine, 37 HP Vanguard EFI
2	462946	Hydro Tank Assy., SVRII (Incl. #3,4,5,6,7,8)
3	481507	Insert, Filler Neck
4	481164	Cap, Hydro Tank
5	482571	Bushing, .56 Viton
6	482572	Fitting, 90 Degree x .38 Hose
7	482573	Bushing, .78 Viton
8	482574	Fitting, 90 Degree x .50 Hose
9	427280	Bracket, Hydro Tank Mounting
10	04001-08	Bolt, Hex Head 5/16-18 x 3/4"
11	04030-03	Washer, Lock 5/16"
12	48136-13	Clamp, Hose
13	48811	Hose, 3/8" Pushlock (order by inch)
14	48136-05	Clamp, Hose
15	48351	Hose, 1/2" Pushlock (order by inch)
16	482266-01	Elbow, 90 Degree - O-Ring
17	486812	Pump, LH - SVRII
18	486813	Pump, RH - SVRII
19	485830	Union, O-Ring to JIC
20	481203-02	Elbow, JIC Swivel
21	485847	Tee, 3/4 O-Ring
22	485870	Drain, Hose Assembly (Incl. #23)
23	48771-02	Plug, JIC 3/4-16 UNF
24	482417	Filter Head
25	04001-20	Bolt, Hex Head 3/8-16 x 1 1/2"
26	48462-01	Filter
27	04019-04	Nut, Serrated Flange 3/8-16
28	04019-03	Nut, Serrated Flange 5/16-18
29	04001-52	Bolt, Hex Head 1/2-13 x 2-1/2"
30	423279	Plate, Motor Backing
31	485602	Hose Assy., 14-1/2"
32	486832	Hose Assy., 18-1/2"
33	48572-02	Tube, Union 1/2 x 5/8
34	482639	Wheel Motor, SVRII (Incl. #74)
	04063-25	Key, Woodruff 5/16 x 1" (not shown)
35	04021-19	Nut, Center Lock 1/2-13
36	462999	Wheel Hub Assy., SVRII
	04008-01	Serrated Bolt, 1/2-20 x 1.563
37	485952	Wheel Assy., 24 x 12 - 12 (4-Ply) (61)
	485953	Tire, 24 x 12 -12 (4-Ply) (61)
	482414	Rim w/Stem (61)
38	04061-06	Pin, Cotter 9/64 x 1"
39	04028-02	Wheel Nut
40	04102-03	Bolt, Hex Head 7/16-20 x 2-1/4" w/ Patch
41	04030-05	Washer, Lock 3/8"
42	04041-28	Washer, Flat 7/16, .469 x 1.75 x .25

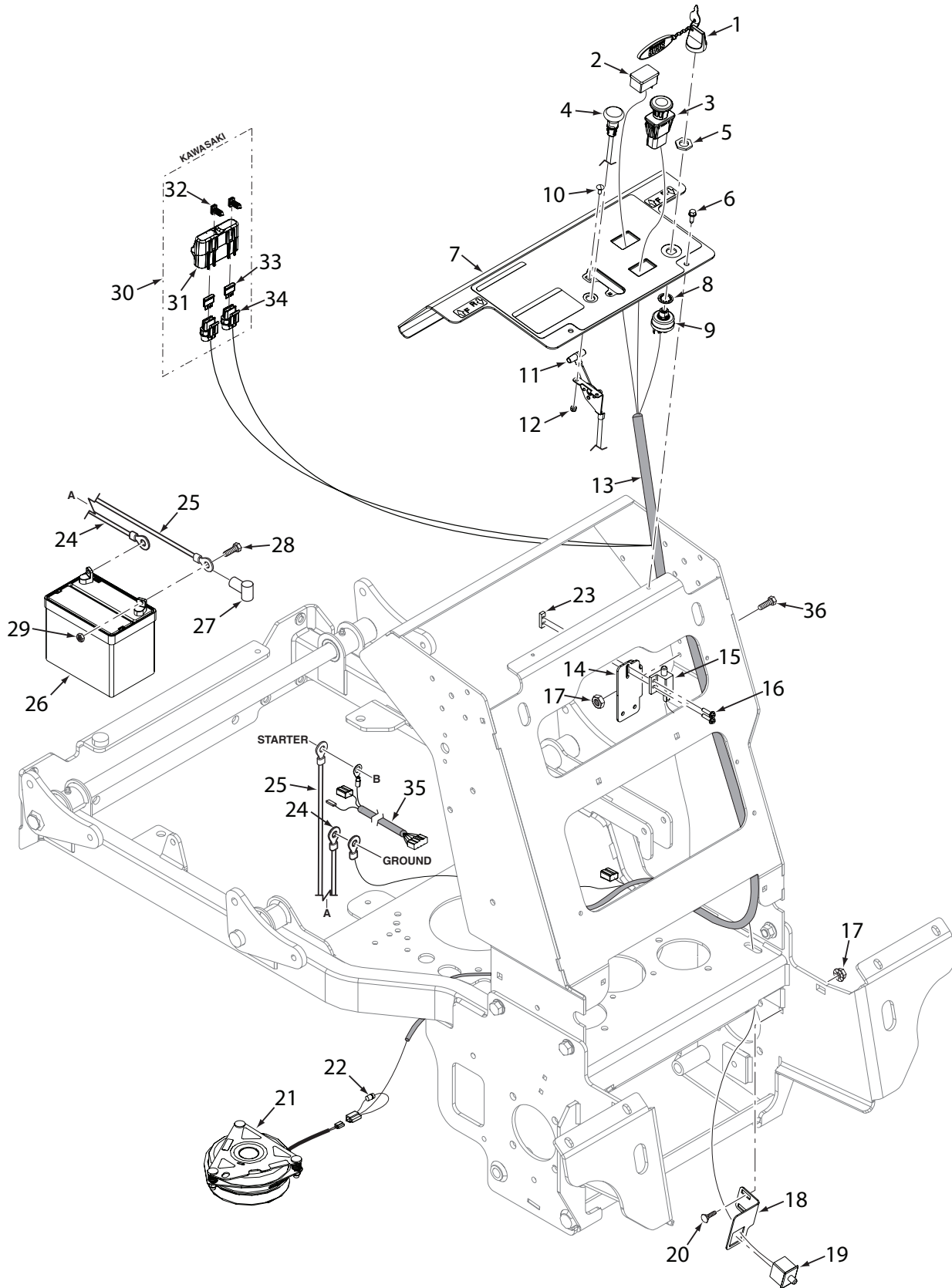
Ref. No.	Part No.	Description
43	462339	Clutch w/Tag GT3.5-FE05 (61)
44	04063-28	Key, 1/4 x 1/4 x 3-1/2"
45	04003-12	Bolt, Carriage 5/16-18 x 3/4"
46	452923	Anti-Rotation Bracket
47	04001-136	Bolt, Hex Head 3/8-16 x 1-1/2"
48	04001-54	Bolt, Hex Head 3/8-16 x 3"
49	483112	Spring, Transmission Idler
50	04021-09	Nut, Elastic Stop 3/8-16
51	04001-172	Bolt, Hex Head 1/4-20 x 1" Gr.8
52	482085	Tapered Hub, 15mm Bore
53	04063-14	Key, 5 x 5 x 25mm
54	486322	Belt, Pump Drive (37BV-EFI)
55	48224	Bearing
56	463158	Idler Arm Assy. (Incl. #55)
57	43683	Pivot, Idler
58	04001-62	Bolt, Hex Head 3/8-16 x 3-1/4"
59	04043-04	Washer, Flat 3/8-.391 x .938 x .105 HD
60	483802	Pulley, 4.75" OD - 1.125 Bore
61	483213	Pulley, 4-1/2" Idler
62	482649	Pulley, 5.45" OD - Tapered Bore
63	04001-46	Bolt, Hex Head 3/8-16 x 2-1/4"
64	04001-20	Bolt, Hex Head 3/8-16 x 1-1/2"
	04134-03	Nut, Top Lock w/ Flange, 3/8-16
	04031-03	Washer, Lock 5/16" Ext. Tooth (Ground)
65	04134-03	Nut, Flanged Top Lock 3/8-16
66	484509	Hose Assy., 15-1/4"
67	04119-02	Capscrew, Flanged, M8-1.25 x 20
68	04121-01	Nut, M6-1.0 Hex Flange
69	486868	Muffler, Vanguard 37 EFI - SVRII
70	428403	Heatshield, Muffler- SVRII
71	04001-18	Bolt, Hex Head 3/8-16 x 3/4"
72	485564	Fan Cover, Pump
73	483017	Oil Drain (Vanguard 37BV)
	483280	Tubing, Oil Drain (not shown) (order by inch)
74	48680	Nut, Hex Castle
75	04001-09	Bolt, 5/16-18 x 1"
76	04040-15	Washer, Flat 5/16- .375 x .875 x .083
77	04117-01	Nut, Lock, Flanged Elastic Stop 5/16-18
78	428248	Bracket, Muffler Mount
79	485792	Hose Assy., 27-1/2"
80	48572-04	Union, 3/4"-16 JIC x 3/4"-16 O-Ring
81	486837	Tube Assy.
82	04001-136	Bolt, Hex Head 3/8-16 x 1-1/2" Gr. 8
83	04019-04	Nut, Serrated Flange 3/8-16 (61 Only)
84	04001-18	Bolt, Hex Head 3/8-16 x 3/4" (52)
	04001-136	Bolt, Hex Head 3/8-16 x 1-1/2" Gr. 8 (61 Only)
***	48028-02	Cable Tie, .19 x 7" Black

* Order through Engine Manufacturer

** Not available through Scag

*** Item not Shown

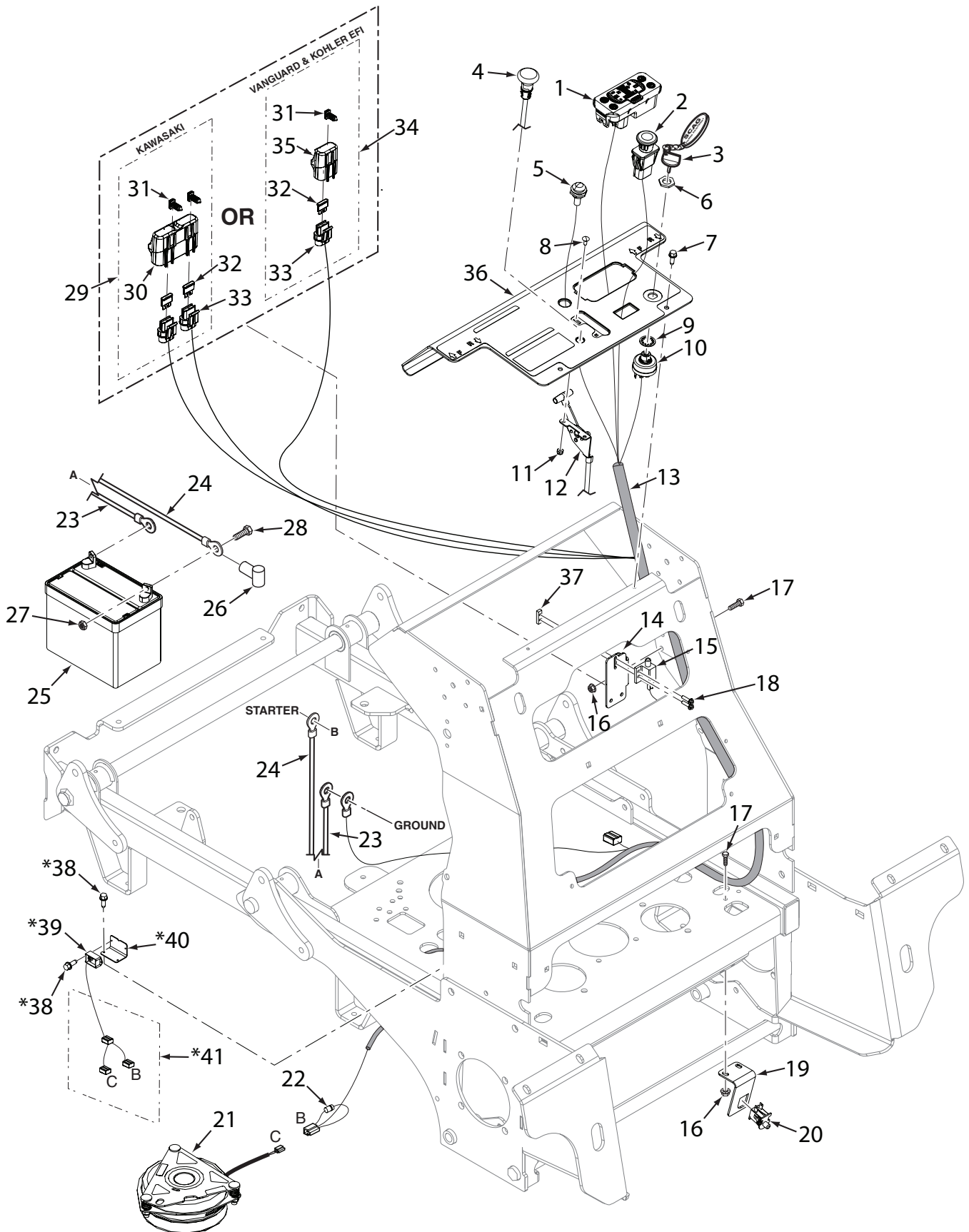
SVR11-32A / 36A ELECTRICAL SYSTEM



SVRII-32A / 36A ELECTRICAL SYSTEM

Ref. No.	Part No.	Description
1	462069	Key Assy. w/Fob
2	484565	Hourmeter, Inductive
3	485833	Switch, PTO
4	483976	Choke Control
5	48017-04	Nut, Special 5/8-32
6	04011-14	Screw, 1/4-20 x 3/4" Taptite
7	462985	Instrument Panel w/Decal - SVRII
8	48017-03	Washer, Lock 5/8" Internal Tooth
9	48798	Switch, Key (INCL. #5,8)
10	04003-43	Bolt, Carriage #10-24 x 1/2"
11	483975	Throttle Control
12	04021-26	Nut, Elastic Stop #10-24
13	486105	Wire Harness, SVRII-32A/36A
14	427269	Bracket, Neutral Switch
15	481545	Switch, Interlock - DPDT
16	04010-12	Screw, #10-24 x 3/4" Taptite
17	04019-02	Nut, Serrated Flange 1/4-20
18	427481	Switch Bracket, Operator Presence
19	484497	Switch, Double Pole - N.O. / N.O.
20	04003-02	Nut, Serrated Flange 1/4-20
21	462166	Clutch w/Tag GT2.5-FE02
22	483958	Diode, 600V - 6A
23	422373	Plate, Threaded
24	48029-24	Cable, Battery - Black 39"
25	48029-30	Cable, Battery - Red 44" w/Braid
26	483665	Battery, 350 CCA (not available through Scag)
27	48126	Rubber Boot
28	04001-01	Bolt, Hex Head 1/4-20 x 3/4"
29	04020-02	Nut, 1/4-20
30	483642	Double Fuse Assy. (Incl. #31, 32, 33, 34)
31	483571	Cover, Sealed Double
32	482588	Clip, Wire
33	48298	Fuse, 20 Amp
34	483629	Fuse Holder
35	482543	Wire Harness Adapter - Kawasaki
	485678	Wire Harness Adapter - Kawasaki FX
36	04001-01	Bolt, Hex Head 1/4-20 x 3/4"

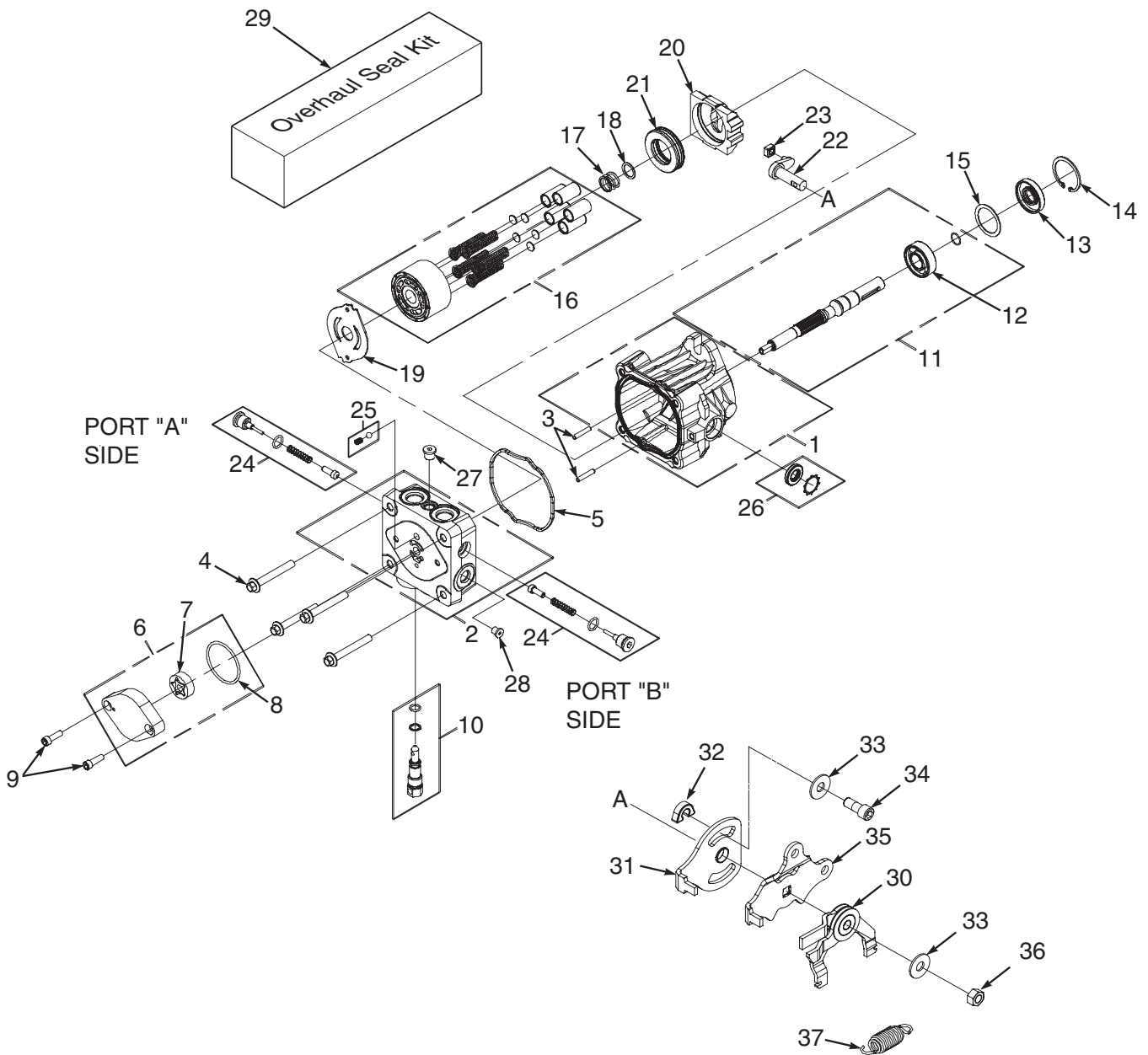
SVR11-48V / 52V / 61V ELECTRICAL SYSTEM



SVRII-48V / 52V / 61V ELECTRICAL SYSTEM

Ref. No.	Part No.	Description
1	484721	Tiger Eye, Cluster Gauge
2	485833	Switch, PTO
3	462069	Key Assy., w/Fob
4	483976	Choke Control (excludes EFI models)
5	481182	Indicator Light (EFI models only)
6	48017-04	Nut, Special 5/8-32
7	04011-14	Screw, 1/4-20 x 3/4" Taptite
8	04003-43	Bolt, Carriage #10-24 x 1/2"
9	48017-03	Washer, Lock 5/8" Internal Tooth
10	48798	Switch, Key
11	04021-26	Nut, Elastic Stop #10-24
12	483975	Throttle Control
	486873	Throttle Control, E-Gov (26FT, 38FX-EFI)
	483533	Knob, Throttle Control - Not Shown (26FT, 38FX-EFI)
13	486073	Wire Harness, SVRII
	486106	Wire Harness, SVRII-EFI (37EFI)
	486827	Wire Harness, SVRII-EFI w/E-Gov (26FT, 38FX-EFI)
14	427269	Bracket, Neutral Switch
15	481637	Switch, N/O
16	04019-02	Nut, Serrated Flange 1/4-20
17	04001-01	Bolt, Hex Head 1/4-20 x 3/4"
18	04010-12	Screw, #10-32 x 3/4" Taptite
19	427249	Switch Bracket, Operator Presence
20	48717	Switch
21	462166	Clutch w/Tag GT2.5-FE02 (48 / 52)
	462339	Clutch w/Tag GT3.5--FE05 (61)
22	483958	Diode, 600V - 6A
23	48029-24	Battery Cable, 39" Black
24	48029-30	Battery Cable, 44" Red w/Braid
25	483665	Battery, 350 CCA (not available through Scag)
26	48126	Rubber Boot
27	04020-02	Nut, 1/4-20
28	04001-01	Bolt, Hex Head 1/4-20 x 3/4"
29	483642	Double Fuse Assy, (Incl. #30, 31, 32, 33)
30	483571	Cover, Sealed Double
31	482588	Clip, Wire
32	48298	Fuse, 20 Amp
33	483629	Fuse Holder
34	485739	Single Fuse Assy. (Incl. #31, 33, 35)
35	483643	Cover, Sealed Single
36	462970	Control Panel w/Decal
37	422373	Plate, Threaded
38	*04011-11	Screw, #10-32 x .56 Shakeproof
39	*486321	Soft Start Module, Clutch
40	*428497	Mounting Bracket, Soft Start Module
41	*486325	Wire Harness, Soft Start

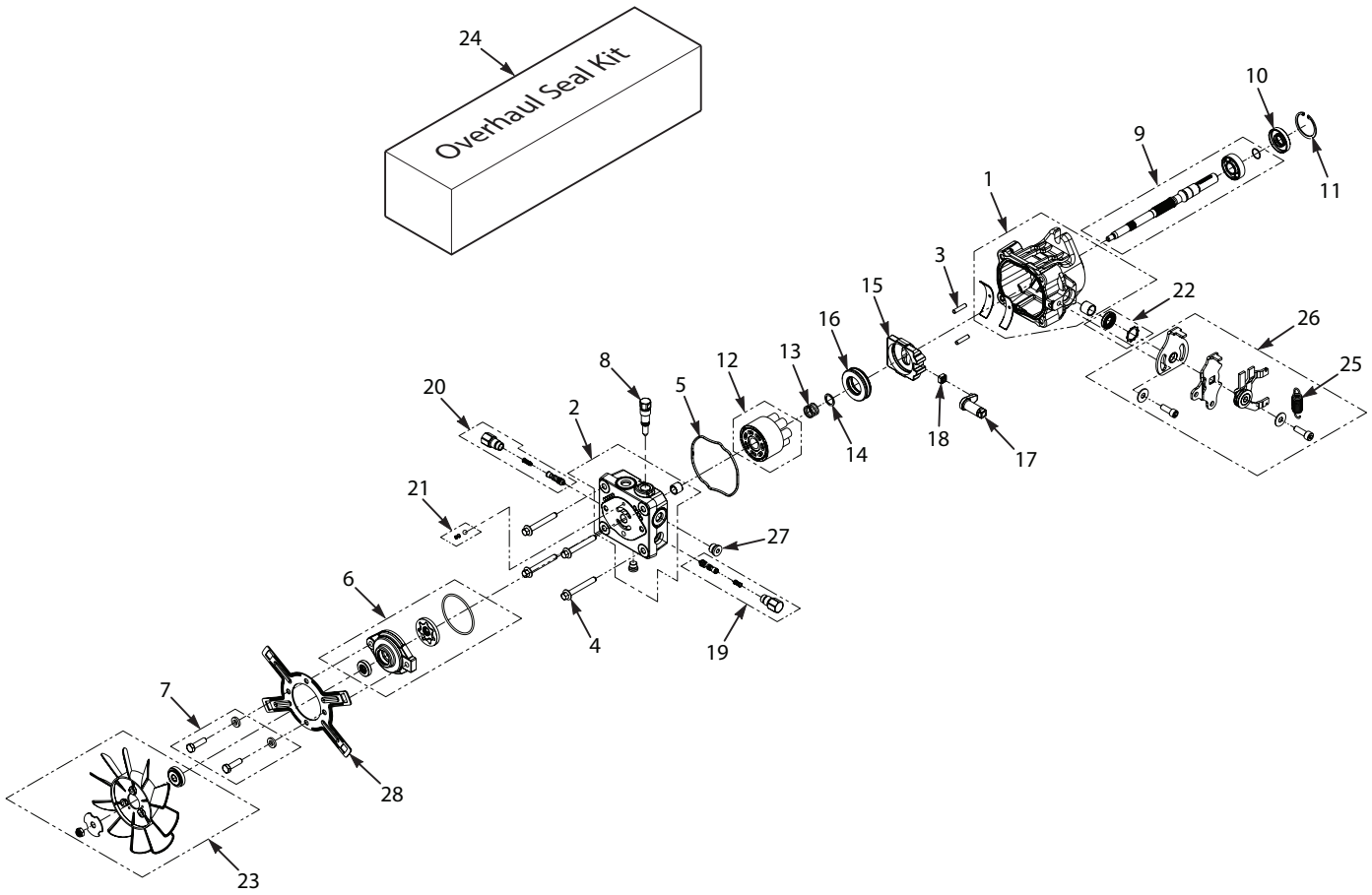
SVR11-32A / 36A HYDRAULIC PUMP



SVRII-32A / 36A HYDRAULIC PUMP

Ref. No.	Part No.	Description
1	HG72598	Kit, Housing
2	HG70517	Kit, End Cap
3	HG50641	Pin, .219 x 1.000
4	HG50969	Bolt, M8 X 1.25 mm
5	HG54022	Gasket, Housing
6	HG2513027	Kit, Charge Pump
7	HG50273	Gerotor Assembly
8	HG9004101-1340	O-Ring
9	HG5095	Screw, Socket Head M6 X 1.0 - 20mm
10	HG2513030	Kit, By-Pass
11	HG70521	Kit, Shaft
12	HG50315	Bearing
13	HG51161	Seal, 17 x 40 x 7 Lip
14	HG50329	Ring, Retaining .156 Internal
15	HG50951	Washer, 1.23 x 1.57 x .04
16	HG70331	Kit, Block 10cc
17	HG2003014	Spring, Block
18	HG2003017	Washer, .59 x .79 x .04
19	HG51444	Plate, Valve 10cc
20	HG2003087	Swashplate
21	HG50551	Bearing, Thrust
22	HG52866	Arm, Trunion
23	HG2000015	Slot Guide
24	HG2510027	Kit, Check Valve (.031 Orifice)
25	HG70402	Kit, Charge Relief
26	HG2513043	Kit, Seal
27	HG9005110-4400	Plug, 7/16-20
28	HG9005110-5600	Plug, 9/16-18
29	HG70525	Seal Kit
30	HG52413	RTN Assembly
31	HG51391	Arm, Return
32	HG51561	Spacer
33	HG44130	Washer
34	HG51400	Screw, 5/16-24 x 3/4" w/Patch
35	HG51394	Control Arm
36	HG52506	Nut, Center Lock 5/16-24 UNF
37	HG52401	Spring, External

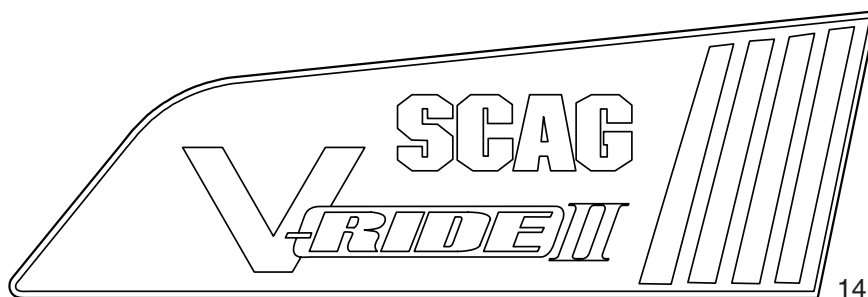
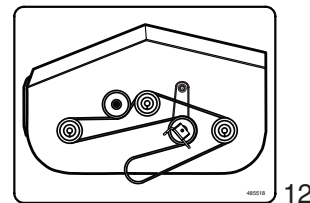
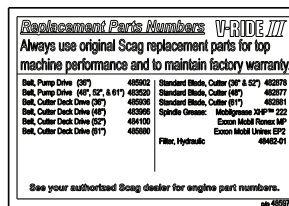
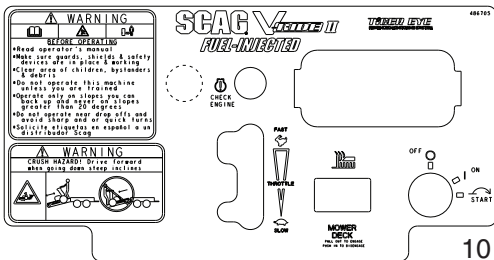
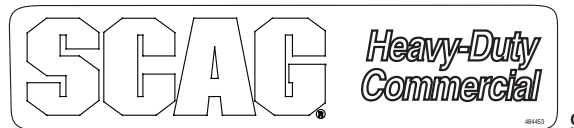
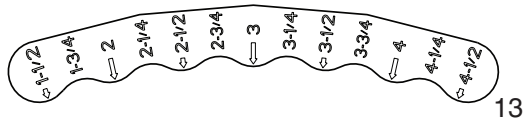
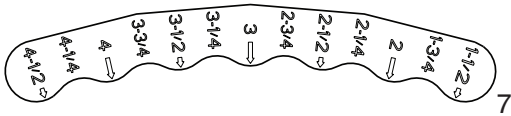
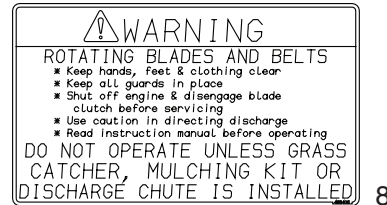
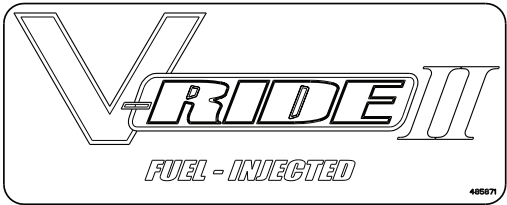
SVRII-48V / 52V / 61V HYDRAULIC PUMP



SVRII-48V / 52V / 61V HYDRAULIC PUMP

Ref. No.	Part No.	Description
1	HG72267	Kit, Housing
2	HG72011	Kit, End Cap
3	HG50641	Pin, .219 x 1.000
4	HG50969	Bolt, M8 X 1.25 mm
5	HG54022	Gasket, Housing
6	HG70622	Kit, Charge Pump
7	HG72254	Kit, Charge Pump Bolts
8	HG2513030	By-Pass Valve
9	HG70620	Kit, Shaft
10	HG51161	Seal, 17 x 40 x 7 Lip
11	HG50329	Ring, Retaining .156 Internal
12	HG71971	Kit, Block 12cc
13	HG2003014	Spring, Block
14	HG2003017	Washer, .59 x .79 x .04
15	HG53998	Swashplate
16	HG53502	Bearing, Thrust
17	HG52866	Trunnion Arm
18	HG2000015	Slot Guide
19	HG70743	Kit, Shock Valve (.031 Orifice)
20	HG70743	Kit, Shock Valve (.031 Orifice)
21	HG70403	Kit, Charge Relief
22	HG2513043	Kit, Seal - Trunnion Arm
23	HG70811	Fan Assembly
24	HG70525	Seal Kit
25	HG52401	Spring
26	HG71716	Kit, RTN
27	HG9005110-5600	Plug, 9/16-18
28	HG52355	Bracket, 7"

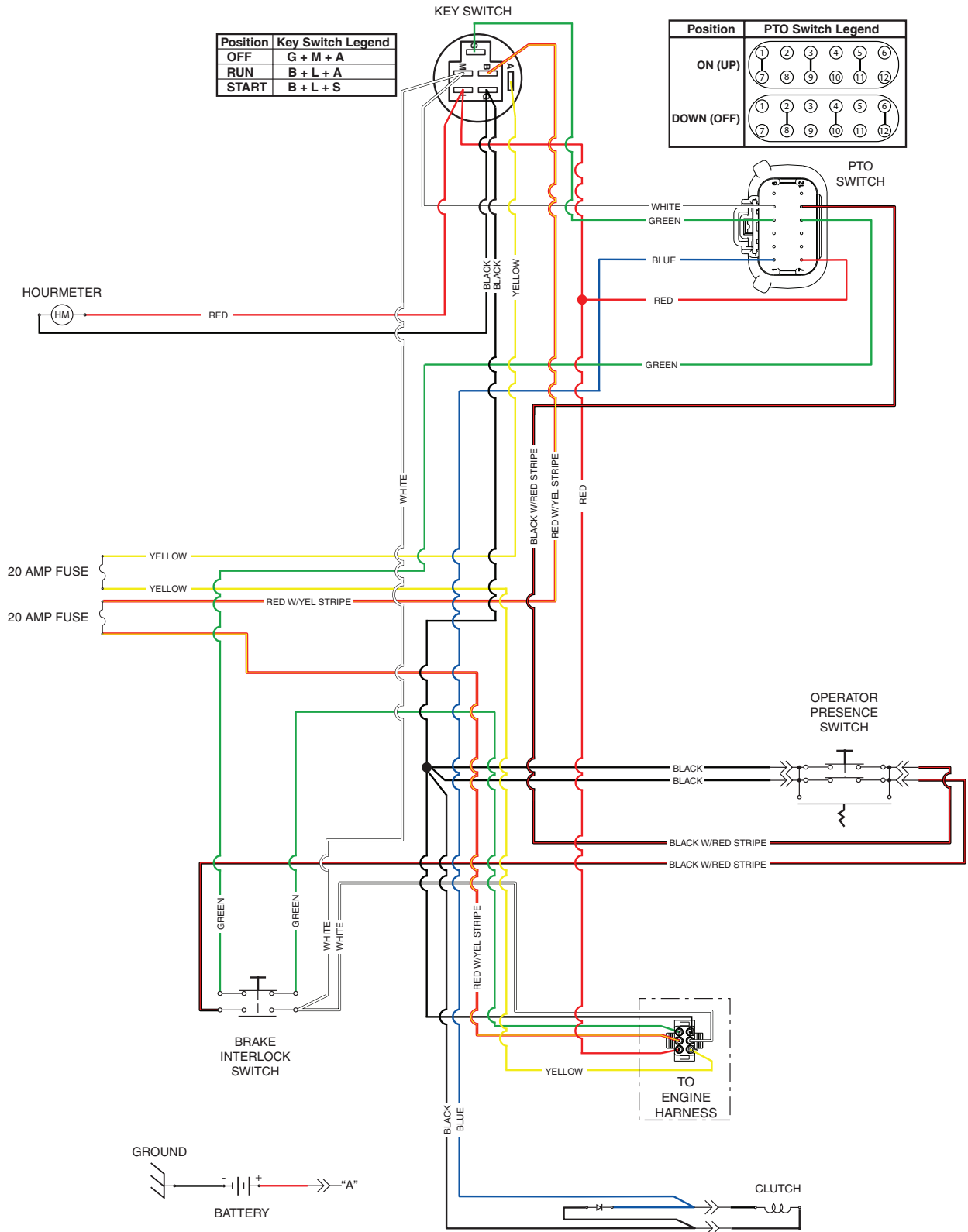
REPLACEMENT DECALS AND INFORMATION PLATES



REPLACEMENT DECALS AND INFORMATION PLATES

Ref. No.	Part No.	Description
1	483402	Decal, Warning - Belt Cover
2	483405	Decal, Warning
3	485872	Decal, Belt Cover
4	485871	Decal, Belt Cover - EFI
	486469	Decal, 32A
	483059	Decal, 36A
	483199	Decal, 48V
	483200	Decal, 52V
5	483201	Decal, 61V
	483505	Decal, Spinning Blades
6	485403	Decal, Metalcraft - USA
7	485798	Decal, Deck Height - Outer
8	483406	Decal, Warning - Knives
9	484453	Decal, Scag Heavy Duty Commercial
10	486739	Decal, Instrument Panel - SVRII-32A/36A
	486704	Decal, Instrument Panel - SVRII
	486705	Decal, Instrument Panel - SVRII-EFI
11	486498	Decal, SVRII Replacement Parts
12	485517	Decal, Belt Routing - SVRII-32A/36A
	485518	Decal, Belt Routing - SVRII48V, SVRII52V & SVRII61V
13	485826	Decal, Deck Height - Inner
14	486194	Decal, Scag V-Ride II (Fuel Tank)
	486459	Decal, Scag V-Ride II (Fuel Tank) - 32A

SVR11-32A/36A ELECTRICAL SCHEMATIC (shown with Key Off, PTO Off, Park Brake Applied, OPC Disengaged)

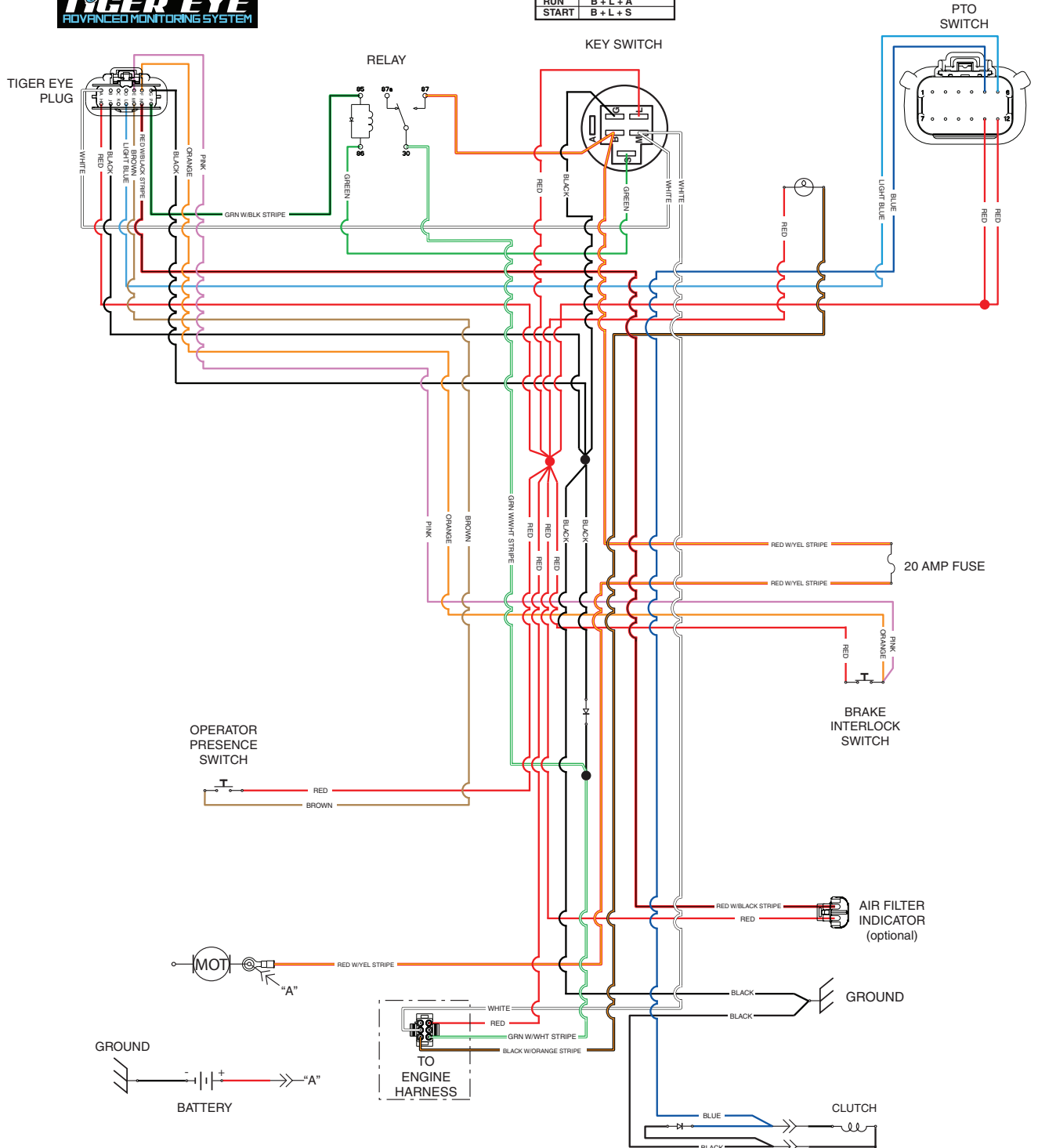


SVR11 ELECTRICAL SCHEMATIC - ELECTRIC START MODELS (shown with Key Off, PTO Off, Park Brake Applied, OPC Disengaged)



Position	Key Switch Legend
OFF	G + M + A
RUN	B + L + A
START	B + L + S

Position	PTO Switch Legend
ON (UP)	
DOWN (OFF)	

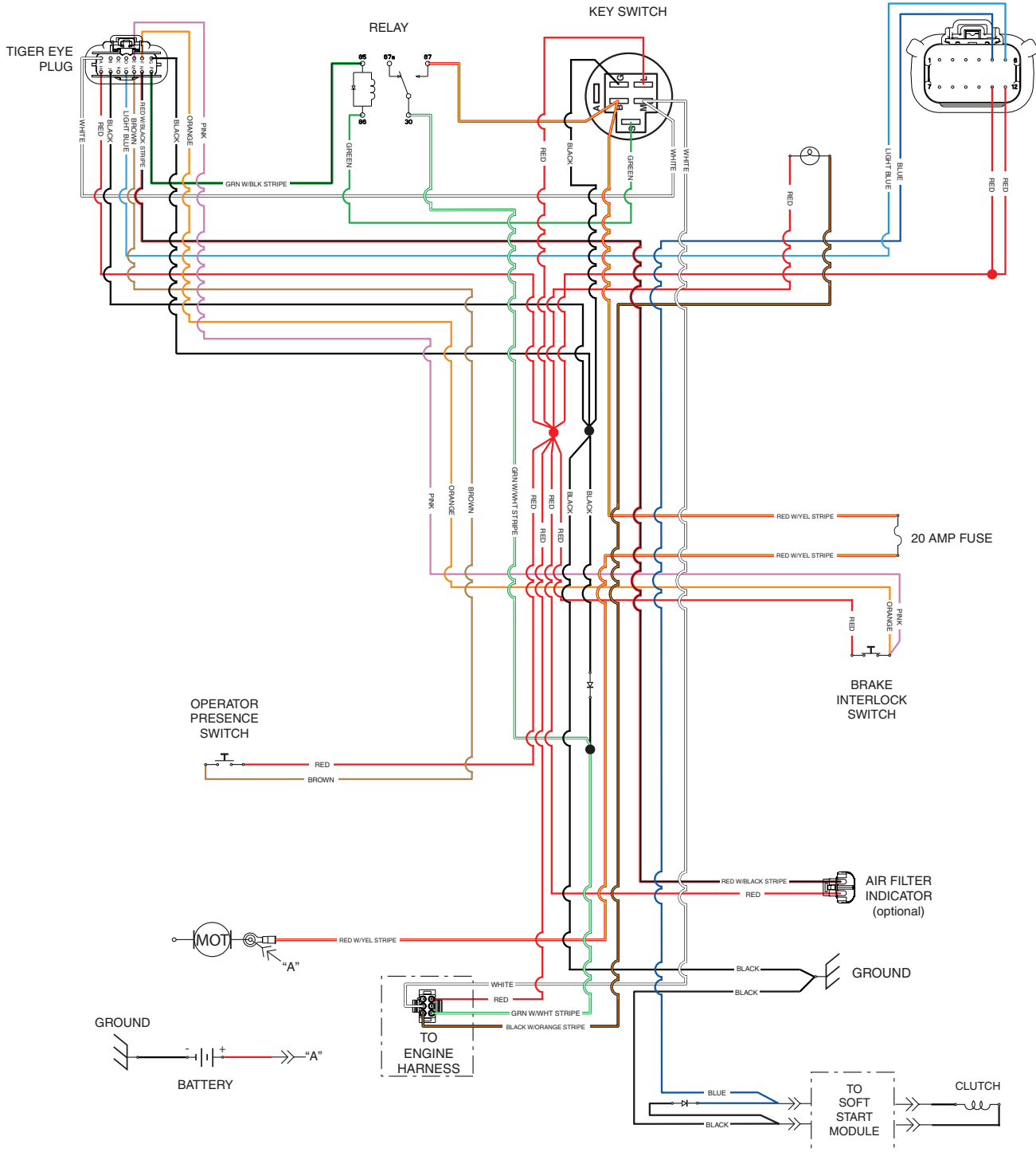


SVRII - BRIGGS & STRATTON 37EFI ELECTRICAL SCHEMATIC (shown with Key Off, PTO Off, Park Brake Applied, OPC Disengaged)

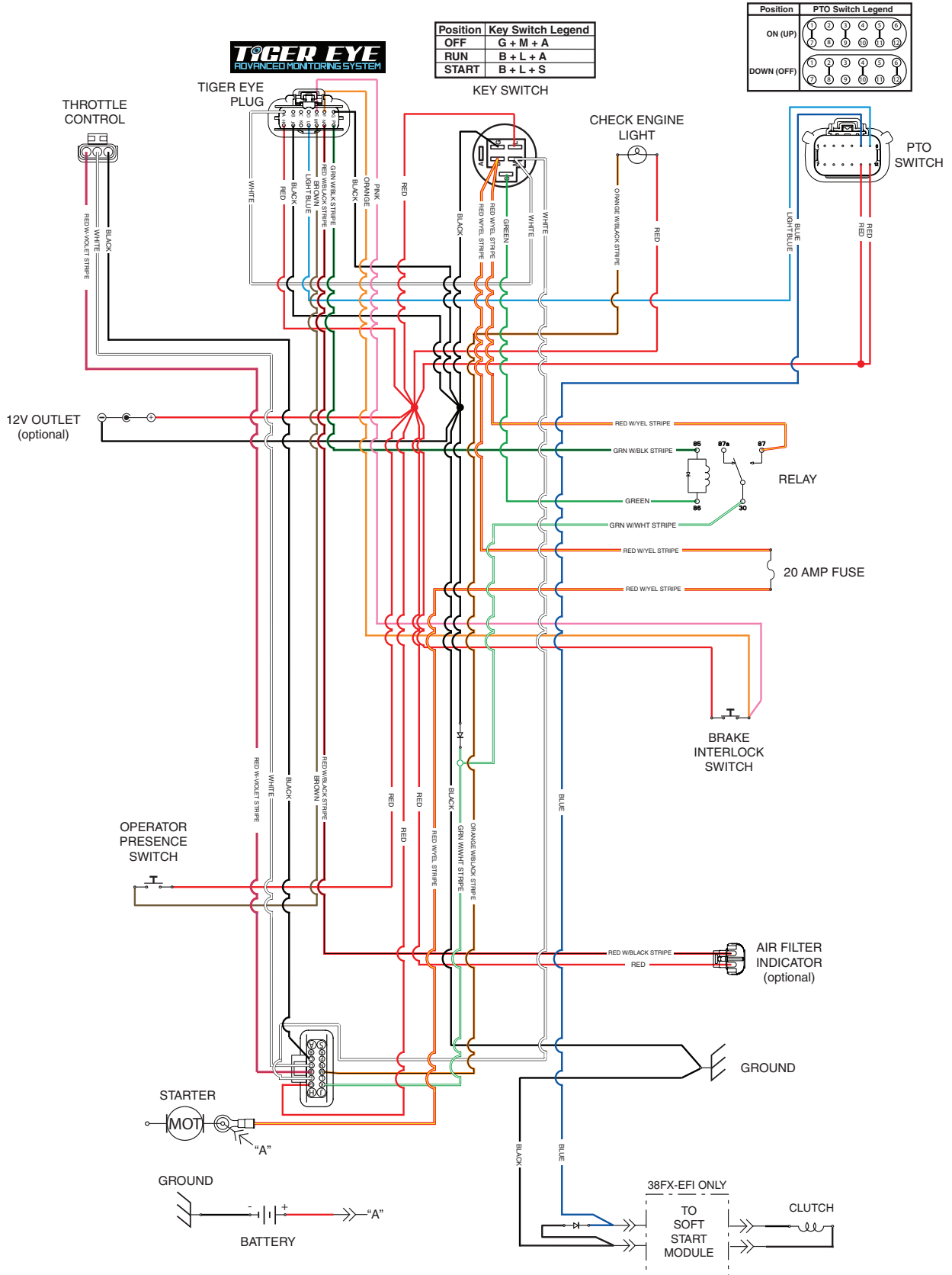


Position	Key Switch Legend
OFF	G + M + A
RUN	B + L + A
START	B + L + S

Position	PTO Switch Legend
ON (UP)	
DOWN (OFF)	



SVRII - KAWASAKI 26FT / 38FX EFI ELECTRICAL SCHEMATIC (shown with Key Off, PTO Off, Park Brake Applied, OPC Disengaged)



KAWASAKI ENGINE ADAPTER ELECTRICAL SCHEMATIC

