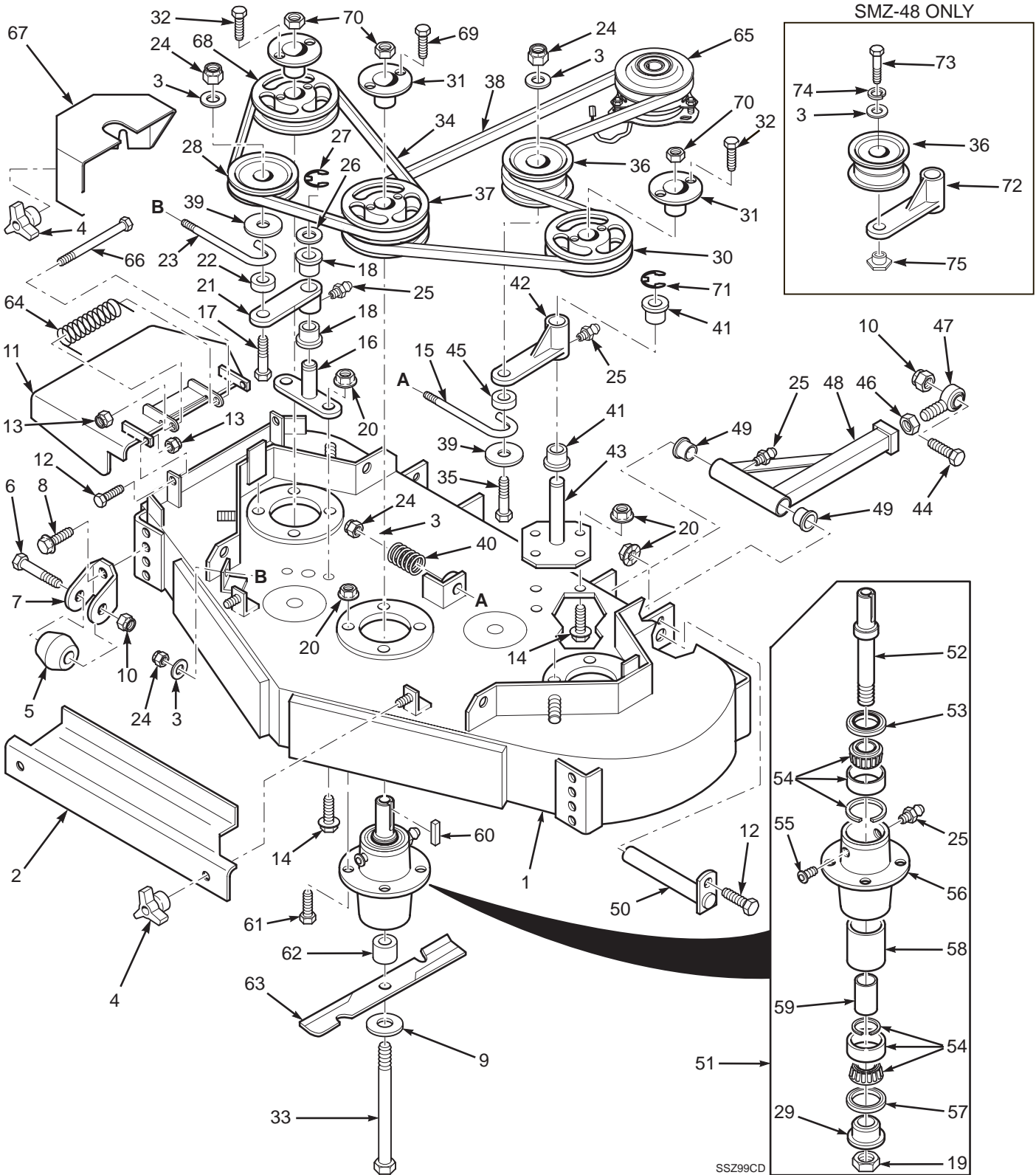


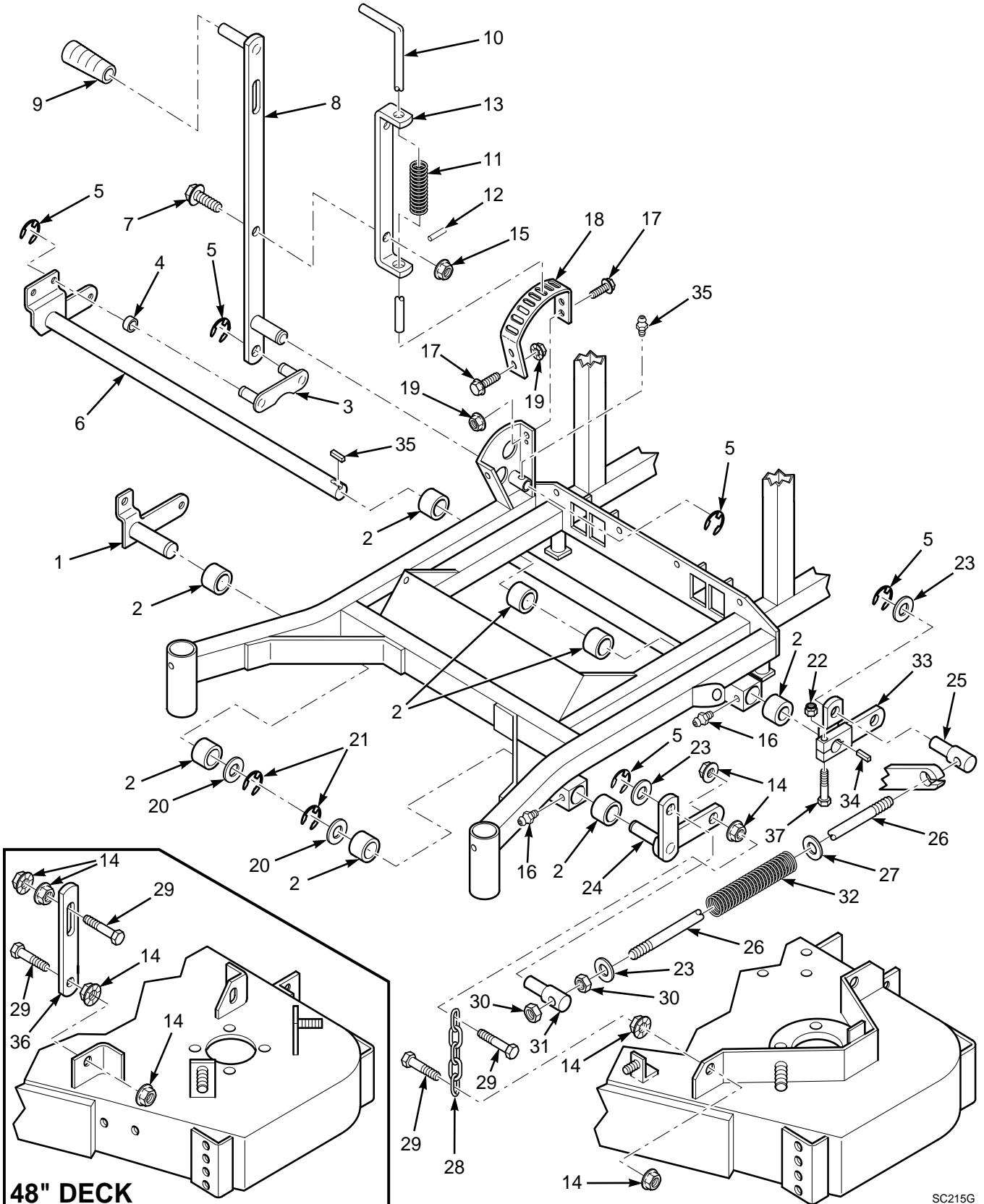
## 48", 52", & 61" CUTTER DECKS



## 48", 52", & 61" CUTTER DECKS

Ref. Part				Ref. Part				
No.	Number	Description	48 52 61	No.	Number	Description	48 52 61	
1	461133	Cutter Deck (Includes decals)	X		48996	Belt, Blade Drive	X	
	461136	Cutter Deck (Includes decals)	X	39	04041-12	Flatwasher, 3/8" (.375 x 1.5 x .06)	X X X	
	461140	Cutter Deck (Includes decals)	X	40	48807	Spring, Idler Tension	X X X	
2	421058	Belt Cover, Front	X	41	48100-02	Bushing	X X X	
	421451	Belt Cover, Front	X	42	46750	Idler Arm (Includes bushings & grease fittings)	X X	
	421299	Belt Cover, Front	X	43	45329	Idler Pivot Base	X X X	
3	04041-07	Flatwasher, 3/8" Spcl. (.391 x .938 x .105)	X X X	44	04001-97	Bolt, Hex Head 5/8-11 x 3"	X X X	
4	04029-03	Wing Nut, 3/8-16	X X X	45	43282	Spacer	X X	
5	481689	Anti-Scalp Wheel	X	46	04020-16	Nut, Hex 5/8-18 UNF	X X X	
	481632	Anti-Scalp Wheel	X X	47	48763	Rod End	X X X	
6	04003-26	Bolt, carriage 3/8-16 x 4"	X X X	48	461036	Push Arm (Includes 25, 46, 47, and 49)	X X X	
7	422525	Anti-Scalp Wheel Bracket	X	49	48100-06	Bushing	X X X	
8	04017-27	Bolt, Hex Serrated Flange 3/8-16 x 1"	X X X	50	45332	Push Arm Shaft	X X X	
9	04040-10	Flatwasher, 5/8" (.688 x 1.75 x .134)	X X X	51	46631	Spindle Assembly	X X X	
10	04021-05	Nut, Lock 3/8-16 Center Lock	X X X	52	43298	Spindle Shaft	X X X	
11	461056	Discharge Chute	X X	53	481024	Seal, Top	X X X	
	461057	Discharge Chute	X	54	481022	Bearing Assembly (1 required per spindle)	X X X	
12	04001-09	Bolt, Hex Head 5/16-18 x 1"	X X X	55	48667	Relief Fitting, Tapered Spindle	X X X	
13	04021-10	Nut, Hex Elastic Stop 5/16-18	X X X	56	43294	Spindle Housing	X X X	
14	04017-16	Bolt, Hex Serrated Flange 5/16-18 x 3/4"	X X X	57	481025	Seal, Bottom	X X X	
15	44078	"J" Rod	X	58	43312	Spacer, Outside	X X X	
	44101	"J" Rod	X X	59	43296	Spacer, Inside	X X X	
16	45037	Idler Pivot Base	X X X	60	04063-08	Key, 1/4 x 1/4 x 2"	X X X	
17	04001-46	Bolt, Hex Head 3/8-16 x 2-1/4"	X X X	61	04001-10	Bolt, Hex Head 5/16-18 x 1-1/4"	X X X	
18	48100-05	Bushing	X X X	62	43279	Spacer, Tapered Spindle	X X X	
19	481035	Nut, Special 1-1/16-18	X X X	63	48110	Cutter Blade, 16-1/2" Standard	X	
20	04019-03	Nut, Hex Serrated Flange 5/16-18	X X X		48184	Cutter Blade, 16-1/2" High Lift	X	
21	46081	Idler Arm (Includes bushings & grease fittings)	X X X		48108	Cutter Blade, 18" Standard	X	
22	43077	Spacer	X X X		48185	Cutter Blade, 18" High Lift	X	
23	43028	"J" Rod	X X		48111	Cutter Blade, 21" Standard	X	
	44078	"J" Rod	X		48304	Cutter Blade, 21" High Lift	X	
24	04021-09	Nut, Hex Elastic Stop 3/8-16	X X X	64	481050	Spring, Discharge Chute	X X X	
25	48114-04	Grease Fitting	X X X	65	48786	Electric Clutch	X X X	
26	04041-08	Flatwasher, 3/4"	X X X	66	04001-108	Bolt, Hex Head 5/16-18 x 4.25"	X X X	
	04041-08S	Flatwasher, 3/4" Special	X X X	67	421616	Belt Cover, LH	X	
27	04050-02	Ring, Retaining 3/4" External "E"	X X X		421615	Belt Cover, RH	X	
28	48181	Pulley, Idler	X X X		42889	Belt Cover, LH	X	
29	43297	Spindle Bushing, Bottom	X X X		42890	Belt Cover, RH	X	
30	48924	Pulley, LH Spindle	X X		421292	Belt Cover, LH	X	
	48753	Pulley, LH Spindle	X		421293	Belt Cover, RH	X	
31	48926	Tapered Hub, 1-1/8 Bore	X X X	68	48924	Pulley, RH Spindle	X X X	
32	04001-01	Bolt, Hex Head 1/4-20 x 3/4"	X X X	69	04001-109	Bolt, Hex Head 1/4-20 x 1.375 Full Thread	X X X	
33	04001-41	Bolt, Hex Head 5/8-11 x 9-1/2"	X X X	70	*	Nut, Hex 5/8-11 UNC	X X X	
34	48087	Belt, RH Blade Drive	X	71	04050-05	Ring, Retaining 1-1/8" External "E"	X X X	
	48285	Belt, RH Blade Drive	X	72	46963	Idler Arm (Includes bushings & grease fittings)	X	
	48265	Belt, RH Blade Drive	X		73	04001-51	Bolt, Hex Head 3/8-16 X 3 3/4"	X
35	04001-23	Bolt, Hex Head 3/8-16 x 4-1/2"	X X X	74	04030-04	Lockwasher 3/8	X	
36	48550	Pulley, Idler Cutter Engagement	X X X	75	43369	Nut, 3/8-16 Special W/Washer	X	
37	48923	Pulley, Double Groove	X X					
	48940	Pulley, Double Groove	X					
38	48799	Belt, Blade Drive	X					
	481001	Belt, Blade Drive	X					

## CUTTER DECK CONTROLS 48", 52" & 61" DECKS



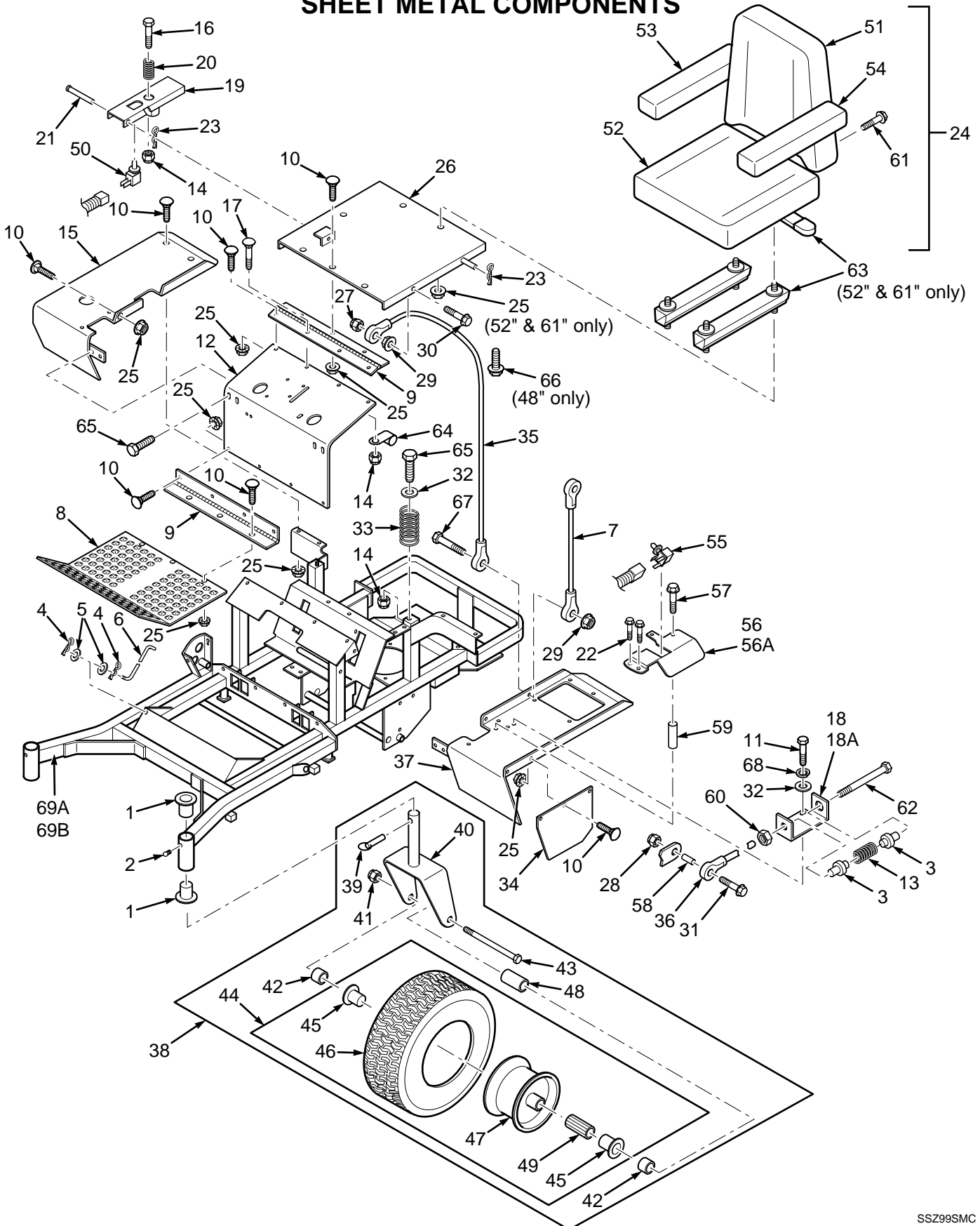
SC215G

## CUTTER DECK CONTROLS 48", 52", & 61" DECKS

Ref. Part No. Number Description	48	52	61
1 45524 Bellcrank, Lift - Right Front	X	X	X
2 48100-05 Bushing	X	X	X
3 45527 Lift Link	X	X	X
4 43180 Bushing		X	X
5 04050-01 Retaining Ring, 5/8" External "E"		X	X
6 45610 Lift Arm Weldment	X		
45523 Lift Arm Weldment		X	X
7 04017-17 Bolt, Serrated Flange Hex Head 5/16-18 x 1"	X	X	X
8 46384 Height Adjustment Lever (Includes grip)	X	X	X
9 48093 Grip, Lever Lift	X	X	X
10 44065 Rod, Cutter Deck Lock	X	X	X
11 48053 Spring, Deck Lift Index	X	X	X
12 04060-01 Roll Pin, 5/32 x 3/4"		X	X
13 42887 Lock, Rod Guide	X	X	X
14 04019-04 Nut, Serrated Flange Hex 3/8-16	X	X	X
15 04019-03 Nut, Serrated Flange Hex 5/16-18		X	X
16 48114-04 Grease Fitting	X	X	X
17 04017-05 Bolt, Serrated Flange Hex Head 1/4-20 x 3/4"		X	X
18 42828 Strip, Height Adjustment	X	X	X
19 04019-02 Nut, Serrated Flange Hex 1/4-20		X	X
20 04041-08S Flatwasher, 3/4" (.766 x 1.250 x .075)		X	X
21 04050-02 Ring, Retaining 3/4" External "E"		X	X
22 04021-09 Nut, Elastic Stop 3/8-16	X	X	X
23 04040-09 Flatwasher, 5/8" (.656 x 1.312 x .075)	X	X	X
24 45313 Bellcrank, Lift - Left Front	X	X	X
25 43271 Swivel Joint - LH THD	X	X	X
26 04004-18 Adjustment Stud	X		
04004-15 Adjustment Stud		X	X
27 04040-10 Flatwasher, 5/8" (.688 x 1.75 x .134)	X	X	X
28 48540 Chain		X	X
29 04001-20 Bolt, Hex Head 3/8-16 x 1-1/2"	X	X	X
30 04020-09 Nut, Hex 5/8-11	X	X	X
31 43270 Swivel Joint - RH	X	X	X
32 481045 Spring, Deck Lift	X		
32 48953 Spring, Deck Lift		X	X
33 45427 Bellcrank	X	X	X
34 04063-15 Key, 3/16 x 3/16 x .75"	X	X	X
35 48114-05 Grease Fitting		X	X
36 421585 Link, Deck Support	X		
37 04001-45 Bolt, Hex Head 3/8-16 x 2"	X	X	X

\* Common hardware which should be purchased locally. All bolts Grade 5 plated, all other fasteners zinc plated.

## SHEET METAL COMPONENTS

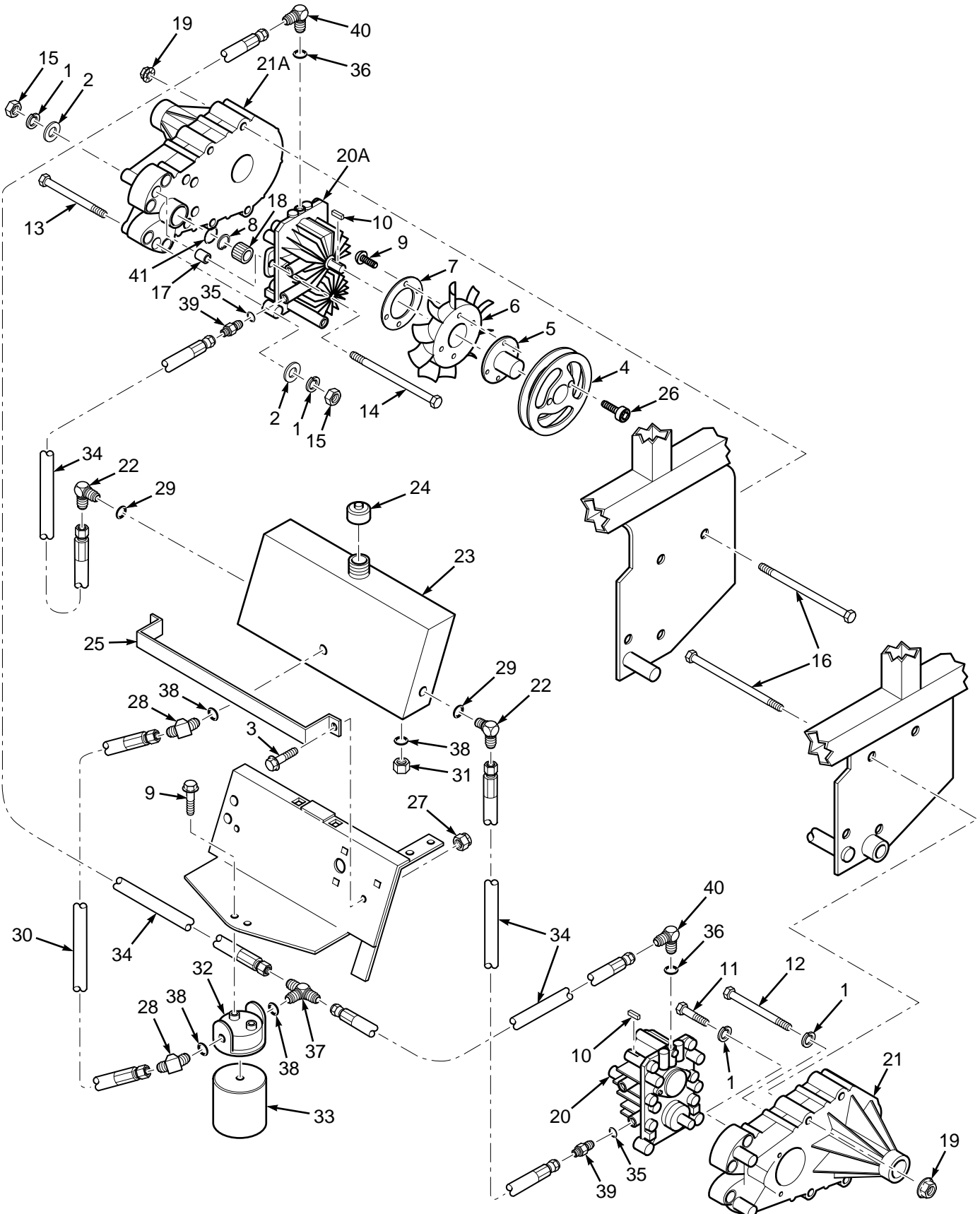


## SHEET METAL COMPONENTS

Ref. Part				Ref. Part			
No.	Number	Description	48 52 61	No.	Number	Description	48 52 61
1	48100-08	Bushing	X X X	35	48566	Cable, Seat Stop	X X X
2	48114-04	Grease Fitting	X X X	36	48464	Ball Joint, Neutral	X X X
3	43257	Bushing, Spring Keeper	X X X	37	45971	Fender , LH	X X X
4	04062-02	Hair Pin, .08 Diameter x 1-3/16"	X X X	38	46392	Caster Wheel Yoke Assembly	X X X
5	04041-07	Flatwasher, 3/8" (.391 x .738 x .105)	X X X	39	04066-01	Quick Pin	X X X
6	44062	Rod, Foot Plate Latch	X X X	40	45325	Caster Wheel Yoke	X X X
7	481086	Cable, Seat Stop	X X X	41	04021-07	Nut, Elastic Stop 1/2-13	X X X
8	421589	Foot Plate	X	42	43041	Spacer	X X X
	42764	Foot Plate	X X	43	04001-80	Bolt, Hex Head 1/2-13 x 6-1/2"	X X X
9	481049	Hinge	X X X	44	48537	Wheel Assembly, Complete	X X X
10	04003-12	Bolt, Carriage 5/16-18 x 3/4"	X X X	45	48006-07	Retainer	X X X
11	04001-08	Bolt, Serrated Flange Hex Head 5/16-18 x 3/4"	X X X	46	48537-02	Tire Only	X X X
12	421251	Kick Plate	X X X	47	48537-03	Rim Only	X X X
13	48746	Neutral Return Spring	X X X	48	43022	Sleeve	X X X
14	04021-10	Nut, Elastic Stop 5/16-18	X X X	49	48006-06	Roller Bearing	X X X
15	461085	Fender Assembly, RH (with decal)	X X X	50	48717	Seat Switch	X X X
16	04001-73	Bolt, Hex Head 5/16-18 x 3-3/4"	X X X	51	481532-01	Seat, Back Cushion	X X X
17	04003-04	Bolt, Carriage 5/16-18 x 1"	X X X	52	481532-02	Seat, Bottom Cushion	X X X
18	421411	Retainer, Neutral Spring, LH	X X X	53	481532-03	Arm Pad, RH	X X X
18A	421412	Retainer, Neutral Spring, RH	X X X	54	481532-04	Arm Pad, LH	X X X
19	45405	Seat Switch Bracket	X X X	55	481474	Neutral Interlock Switch	X X X
20	48463	Spring	X X X	56	422535	Neutral Lock Bracket, RH	X X X
21	04064-04	Clevis Pin	X X X	56A	422536	Neutral Lock Bracket, LH	X X X
22	04017-15	Bolt, Serrated Flange Hex Head 5/16-18 x 1/2"	X X X	57	04017-24	Bolt, Serrated Flange Hex Head 5/16-18 x 2-3/4"	X X X
23	04062-02	Hair Pin, Cotter	X X X	58	43240	Spacer, Neutral Spring	X X X
24	481532	Seat Assembly	X	59	43258	Spacer, Neutral Lock Bracket	X X X
	481606	Seat Assembly w/Adjuster Rails	X X	60	04020-14	Nut, Hex 3/8-24 UNF	X X X
25	04019-03	Nut, Serrated Flange Hex 5/16-18	X X X	61	48704-06	Bolt, Hex Head w/Washer, 1/4-20 x 3/4"	X X X
26	46754	Seat Base	X X X	62	04001-99	Bolt, Hex Head 3/8-24 x 6-1/2", UNF	X X X
27	04021-08	Nut, Elastic Stop 1/4-20	X X X	63	46570	Seat Adjustment, Track Set	X X X
28	04021-09	Nut, Elastic Stop 3/8-16	X X X	64	48030-09	Cable Clamp, .50 ID	X X X
29	04019-02	Nut, Serrated Flange Hex 1/4-20	X X X	65	04001-09	Bolt, Hex Head 5/16-18 x 1"	X X X
30	04017-06	Bolt, Serrated Flange Hex Head 1/4-20 x 1"	X X X	66	04017-16	Bolt, Serrated Flange Hex Head 5/16-18 x 1"	X
31	04001-31	Bolt, Hex Head 3/8-16 x 2-1/2"	X X X	67	*	Bolt, Hex Head 1/4-20 x 1.25"	X X X
32	04001-15	Flatwasher, 5/16" (.313 x .875 x .083)	X X X	68	*	Lockwasher, 5/16"	X X X
33	481704	Seat Spring	X X X	69A	461083	Main Frame Assy.	X
34	421198	Fender Panel, LH	X X X	69B	461084	Main Frame Assy.	X X

\* Common hardware which should be purchased locally. All bolts Grade 5 plated, all other fasteners zinc plated.

## HYDRAULIC COMPONENTS



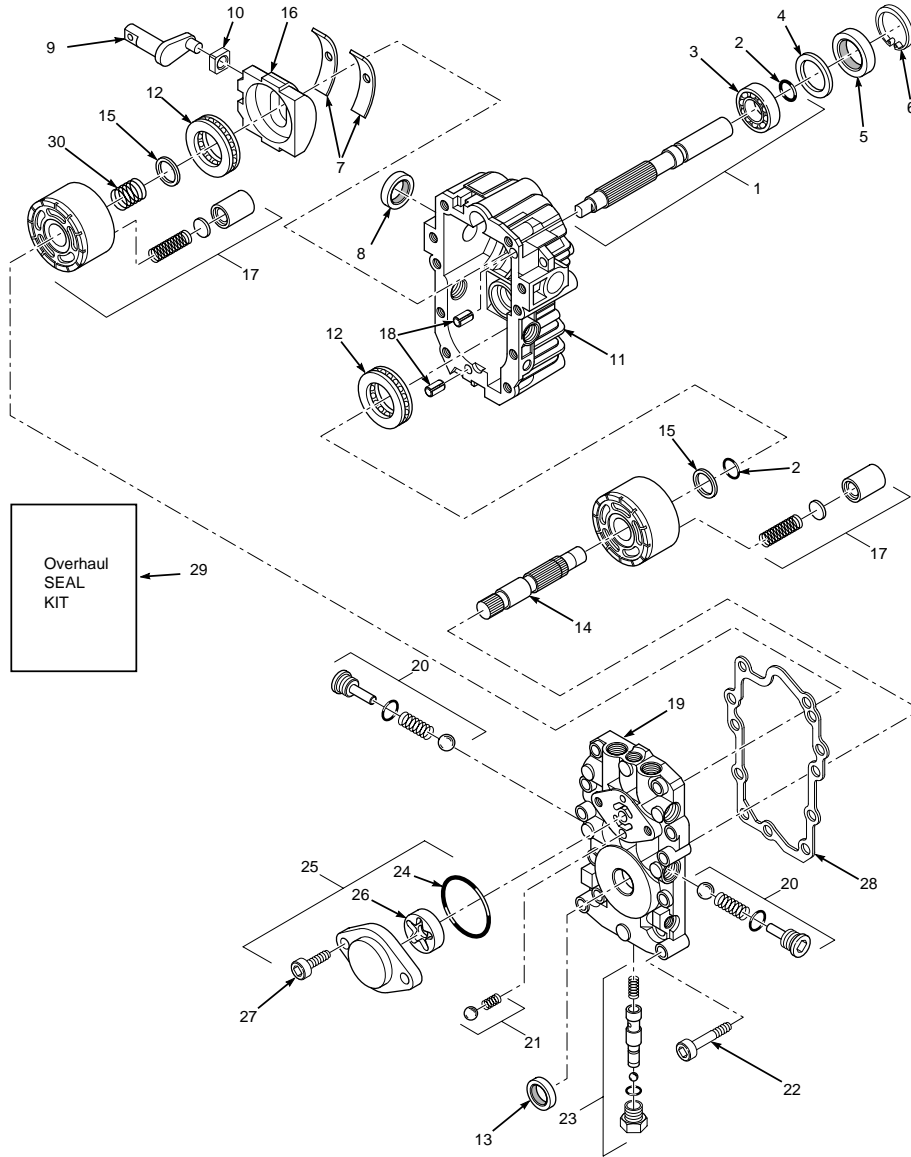
## HYDRAULIC COMPONENTS

Ref. Part No. Number Description	48	52	61
1 04030-03 Lockwasher, 5/16"	X	X	X
2 04040-04 Flatwasher, 5/16" (.344 x .688 x .065)	X	X	X
3 04010-19 Screw, 1/4-20 x 1/2",Hex-Button Head	X	X	X
4 48790 Pump, Pulley	X	X	X
5 48791 Tapered Hub, 15 mm Bore	X	X	X
6 481696 Fan	X	X	X
7 421209 Washer, Back-up	X	X	X
8 04050-13 Snap Ring	X	X	X
9 04017-04 Bolt, Serrated Flange Hex Head 1/4-20 x 1/2"	X	X	X
10 04063-14 Key, 5 mm x 5 mm x 25 mm	X	X	X
11 04001-12 Bolt, Hex Head 5/16-18 x 1-3/4"	X	X	X
12 04001-96 Bolt, Hex Head 5/16-18 x 4-1/2"	X	X	X
13 04001-95 Bolt, Hex Head 5/16-18 x 5"	X	X	X
14 04001-94 Bolt, Hex Head 5/16-18 x 7-1/2"	X	X	X
15 04020-03 Nut, Hex 5/16-18	X	X	X
16 04001-30 Bolt, Hex Head 3/8-16 x 4"	X	X	X
17 48878 Spacer	X	X	X
18 48875 Gear	X	X	X
19 04019-04 Nut, Serrated Flange Hex Head 3/8-16	X	X	X
20 48784 Pump, LH (Includes spacers)	X	X	X
20A 48785 Pump, RH (Includes spacers)	X	X	X
21 481578 Axle, LH (Includes brake lever)	X	X	X
21A 481577 Axle, RH (Includes brake lever)	X	X	X
22 48350-09 Elbow, 90 Degree 9/16-18 JIC to 9/16-18 "O" Ring	X	X	X
23 48860 Oil Tank Reservoir	X	X	X
24 48894 Cap, Oil Reservoir	X	X	X
25 421208 Strap, Oil Reservoir	X	X	X
26 04015-14 Screw, Socket Hex Cap 1/4-20 x 1-3/8"	X	X	X
27 04021-08 Nut, Elastic Stop 1/4-20	X	X	X
28 48485-01 Elbow, 45 Degree 3/4-16 JIC to 3/4-16 "O" Ring	X	X	X
29 48603-06 "O" Ring, 5/64 x 15/32 ID	X	X	X
30 48872 Hose Assembly, Filter Inlet	X	X	X
31 48604-02 Plug, 3/4-16 "O" Ring	X	X	X
32 48462-02 Head, Oil Filter	X	X	X
33 48462-01 Oil Filter, Special	X	X	X
34 48871 Hose Assembly	X	X	X
35 48603-04 "O" Ring, 3/32 x 3/4 ID	X	X	X
36 48603-03 "O" Ring, 1/16 x 3/8 ID	X	X	X
37 48810-01 1/2" T-fitting, 3/4-16 JIC to 3/4-16 "O" Ring	X	X	X
38 48603-02 "O" Ring, 3/32 x 5/8 ID	X	X	X
39 48572-02 Tube Union 3/4-16 JIC to 7/8-14 "O" Ring	X	X	X
40 48350-10 Elbow, 90 Degree 9/16-18 JIC to 7/16-20 "O" Ring	X	X	X
41 HG50267 "O" Ring	X	X	X
42 481090 Gasket, Hydraulic Tank Cap	X	X	X
43 481507 Filler Neck Insert	X	X	X

\* Common hardware which should be purchased locally. All bolts Grade 5 plated, all other fasteners zinc plated.



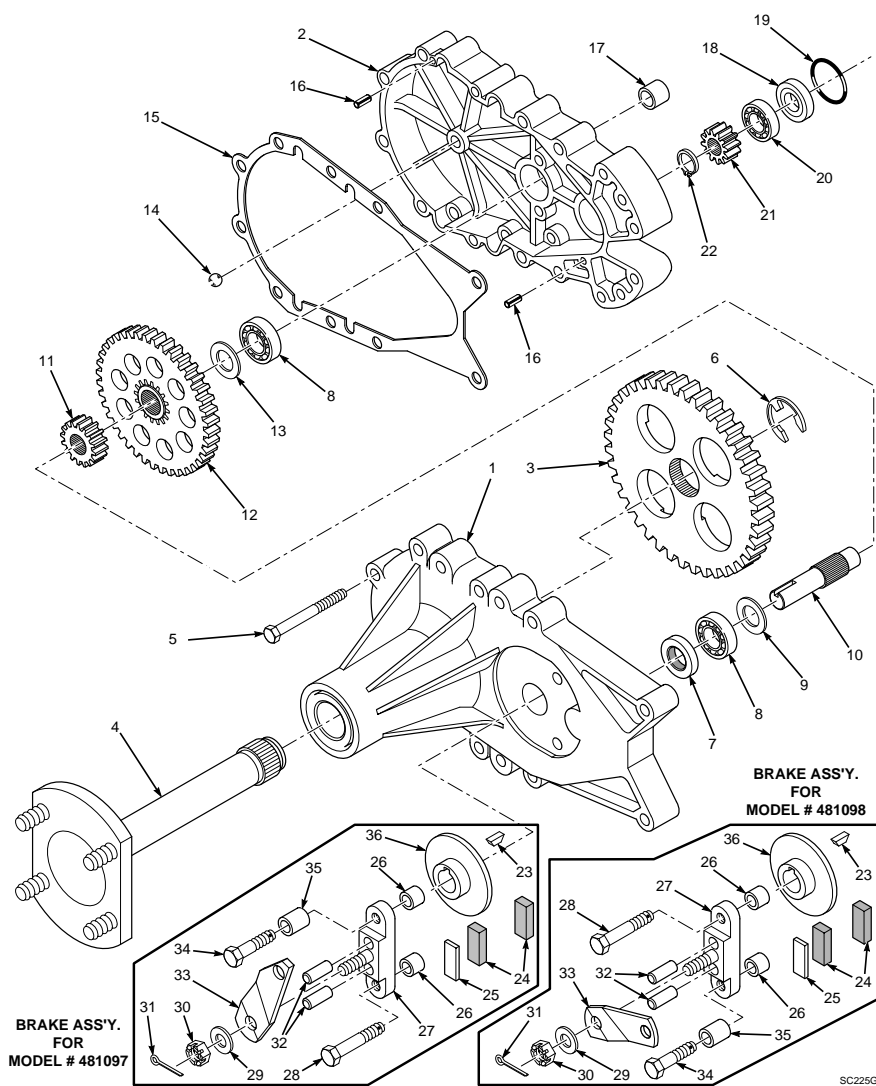
## BDU-10L HYDRAULIC PUMP



SC226G

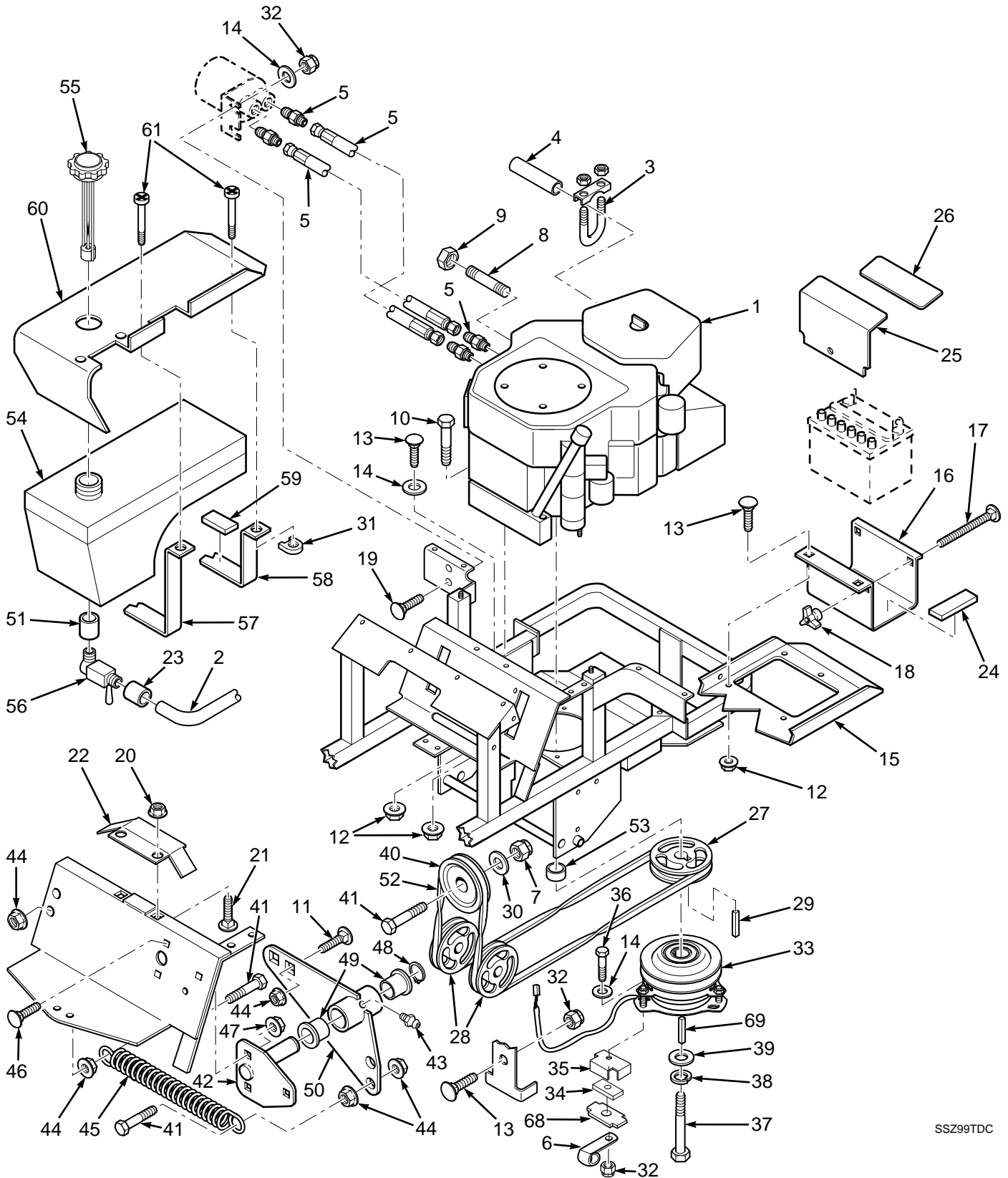
Ref. Part No.	Part Number	Description	Ref. Part No.	Part Number	Description
1	HG2513038	Pump Shaft Kit	16	HG2003087	Variable Swash Plate
2	HG2003016	Wire Retaining Ring	17	HG70079	BDP-10L Block Assembly
3	HG2003043	Ball Bearing	18	HG9004800-2506	Pin ST Holder
4	HG2003018	Spacer	19	HG2513006	Center Section Kit
5	HG9008000-0128	Lip Seal (16 x 35 x 7)	20	HG2510027	Check Valve Kit
6	HG2003052	Retaining Ring	21	HG2510011	Charge Relief Kit
7	HG2003023	Cradle Bearing	22	HG9007314-0808	Socket Head Cap Screw
8	HG9008000-126	Lip Seal (12 x 35 x 7)	23	HG2513011	Bypass Valve Kit
9	HG2003005	Trunnion Arm	24	HG9004101-1340	O-Ring
10	HG2000015	Slot Guide	25	HG2513027	Charge Pump Cover
11	HG2513020	Transmission Housing Kit RH	26	HG50273	Gerotor Assembly
	HG2513003	Transmission Housing Kit LH	27	HG50095	Capscrew (6mm x 20")
12	HG2003044	Thrust Ball Bearing Assembly	28	HG2003060	Center Section Gasket
13	HG9008000-0127	Lip Seal (15 x 24 x 7)	29	HG2513013	Overhaul Seal Kit
14	HG2003032	Motor Shaft	30	HG2000025	Spring Block
15	HG2003017	Block Thrust Washer			

## AXLE ASSEMBLY



Ref. Part No. Number	Description	Ref. Part No. Number	Description
1	HG62768 Axle Housing Assembly	20	HG44232 Ball Bearing, 15mm x 35mm x 11mm
2	HG44533 Hydro Mount Housing	21	HG44353 Input Gear, 11 Tooth
3	HG44358 Splined 72 Tooth Final Drive Gear	22	HG44354 Retaining Ring
4	HG62681 Axle Shaft Assembly	23	HG44143 Key, Hi Pro 3/16 x 5/8
5	HG44366 Bolt, 1/4-20 x 2-1/2" Hex Head	24	HG44132 Puck, Brake
6	HG44359 E-Ring .875	25	HG44134 Plate, Puck
7	HG50263 Oil Seal, 1.25 x .625	26	HG23770 Brake Spacer
8	HG44147 Ball Bearing, .62 ID x 1.38 x .44	27	HG62589 Brake Yoke Assembly
9	HG44371 Washer, HT .62 ID x 1.0 OD x .05 Thick	28	HG44276 Bolt, 1/4-20 x 1-1/2" W/Patch
10	HG44351 Brake Shaft (Splined)	29	HG44130 Washer, 7/16 x 7/8 OD x .06 HT
11	HG50419 Splined Reduction Gear, 17 Tooth	30	HG44142 Nut, Castle 5/16-24 PL
12	HG50420 Splined 60 Tooth Gear	31	HG44101 Pin, Cotter
13	HG44371 Washer, HT .62 ID x 1.0 OD x .05 Thick	32	HG44127 Pin, Brake Actuating
14	HG9001214-3700 Ball, 3/8" Diameter	33	HG44094 Arm, Brake Actuator (LH Assy.)
15	HG50223 Gasket, Housing	33	HG44613 Arm, Brake Actuator (RH Assy.)
16	HG44269 Pin, Spring 3/16" x 1/2" x 12" Long	34	HG44612 Bolt, 1/4-20 x 2-1/2"
17	HG23747 Mounting Spacer	35	HG23711 Spacer, Torsion Spring
18	HG44355 Bearing, Spacer	36	HG44090 Disc, Brake
19	HG50267 O-Ring		

## TRACTION DRIVE COMPONENTS



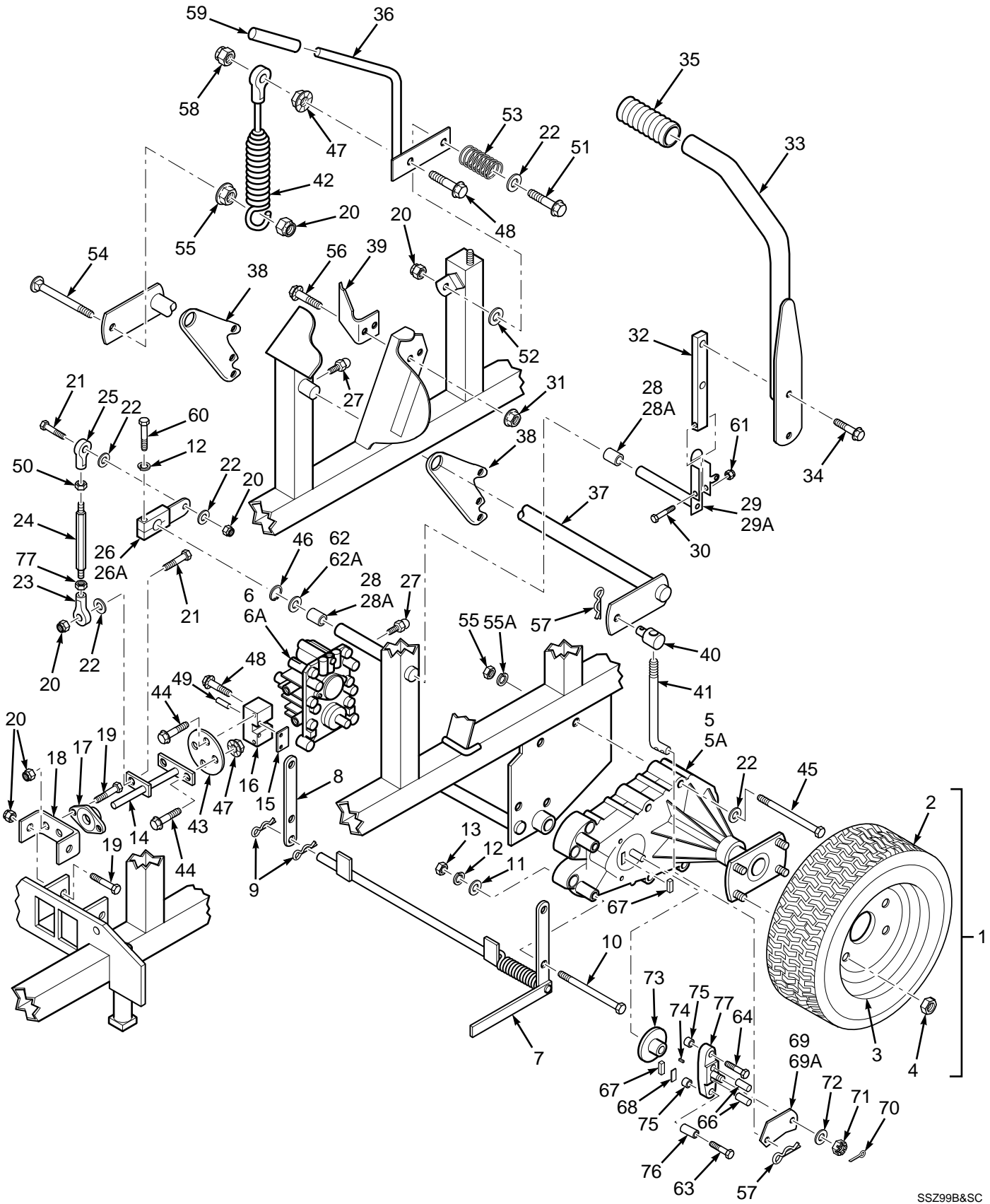
SSZ99TDC

## TRACTION DRIVE COMPONENTS

Ref. Part				Ref. Part			
No.	Number	Description	48 52 61	No.	Number	Description	48 52 61
1	481116	Engine 18 hp Kohler CV For SSZ-18CV	X	35	422533	Backing Plate	X X X
	481117	Engine 20 hp Kohler CV For SSZ-20CV	X X X	36	04001-12	Bolt, Hex Head 5/16-18 x 1-3/4"	X X X
	481118	Engine 22 hp Kohler CV For SSZ-22CV	X X X	37	04001-103	Bolt, Hex Head 7/16-20 x 2.25 (SSZ BV)	X X X
2	48058-03	Fuel Hose	X X X	37A	04001-93	Bolt, Hex Head 7/16-20 x 3.00" (SSZ CV)	X X X
3	48633	Muffler Clamp	X X X	38	04030-05	Lockwasher, 7/16"	X X X
4	48964	Tube, Exhaust	X X X	39	04041-28	Flatwasher, Retainer	X X X
5	*	Kohler Fittings, Purchase From Kohler	X X X	40	48181	Idler, Pulley	X X X
6	48030-09	Clamp, 50 ID	X X X	41	04001-21	Bolt, Hex Head 3/8-16 x 1.75"	X X X
7	04021-09	Nut, 3/8-16 Elastic Stop	X X X	42	45650	Pivot Weldment, Idler Arm	X X X
8	48402-06	Extention, 2.50"	X X X	43	48114-04	Grease Fitting	X X X
9	48257	Pipe Cap	X X X	44	04019-04	Nut, Serrated Flange Hex 3/8-16	X X X
10	04017-19	Bolt, 5/16-18 x 1-1/2" Serr. Flng. Hex Head	X X X	45	48961	Spring, Pump Drive Idler	X X X
11	04003-05	Bolt, 7/8-16 x 1.50" Carriage	X X X	46	04003-12	Bolt, Carriage 5/16-18 x 3/4	X X X
12	04019-03	Nut, Serrated Flange Hex Head 5/16-18	X X X	47	04019-03	Nut, Serrated Flange Hex 5/16-18	X X X
13	04003-12	Bolt, Carriage 5/16-18 x 3/4"	X X X	48	04050-05	Ring, Retaining 1.125 Diameter External "E"	X X X
14	04040-15	Flatwasher, 5/16" (.313 x .875 x .083)	X X X	49	48100-02	Bushing, 1.125 Sintered	X X X
15	45479	Fender, LH	X X X	50	46755	Idler Arm Weldment, Pump Drive	X X X
16	421197	Battery Box	X X X	51	48309	Bushing, Fuel Tank Valve	X X X
17	04003-01	Bolt, Carriage 1/4-20 x 6"	X X X	52	48760	Belt, Pump Drive	X X X
18	04029-01	Wing Nut, 1/4-20	X X X	53	43248	Spacer, Crankshaft	X X X
19	04003-04	Bolt, Carriage 5/16-18 x 1"	X X X	54	48651	Fuel Tank (Includes shut-off valve)	X X X
20	04019-02	Nut, Serrated Flange Hex 1/4-20	X X X	55	481556	Fuel Tank Cap	X X X
21	04003-02	Bolt, Carriage 1/4-20 x 3/4"	X X X	56	48308	Fuel Shut-off Valve	X X X
22	421624	Belt Guard	X X X	57	42944	Fuel Tank Strap, Long	X X X
23	48059-01	Fuel Hose Clamp	X X X	58	42945	Fuel Tank Strap, Short	X X X
24	48661	Rubber Pad	X X X	59	48657	Rubber Pad	X X X
25	42392	Battery Cover	X X X	60	46505	Fender Assembly, RH (with decal)	X X X
26	48099	Pad, Battery Cover	X X X	61	04010-10	Screw, Machine 1/4-20 x 2" Phillips Head	X X X
27	48792	Pulley	X X X	62	04017-19	Bolt, 5/16-18 x 1-1/2" Serr.Flmg. Hex Head	X X X
28	48790	Pulley, Pump	X X X	63	04003-05	Bolt, Carriage 7/8-16 x 1.50"	X X X
29	04063-06	Key, 1/4 x 1/4 x 1-1/2"	X	64	04021-09	Nut, Elastic Stop 3/8-16	X X X
30	04041-07	Flatwasher, 3/8" (.391 x .938 x .105)	X X X	65	48030-09	Clamp, .50 ID	X X X
31	04110-01	U-Nut, 1/4-20	X X X	66	*	Kohler Fittings, Purchase From Kohler	X X X
32	04021-10	Nut, Elastic Stop 5/16-18	X X X	67	48600-01	Elbow, Street	X X X
33	461073	Electric Clutch	X X X	68	422534	Backing Plate	X X X
34	481716	Rubber Pad, Clutch Stop	X X X				

\* Kohler hardware which should be purchased from an authorised Kohler Dealer.

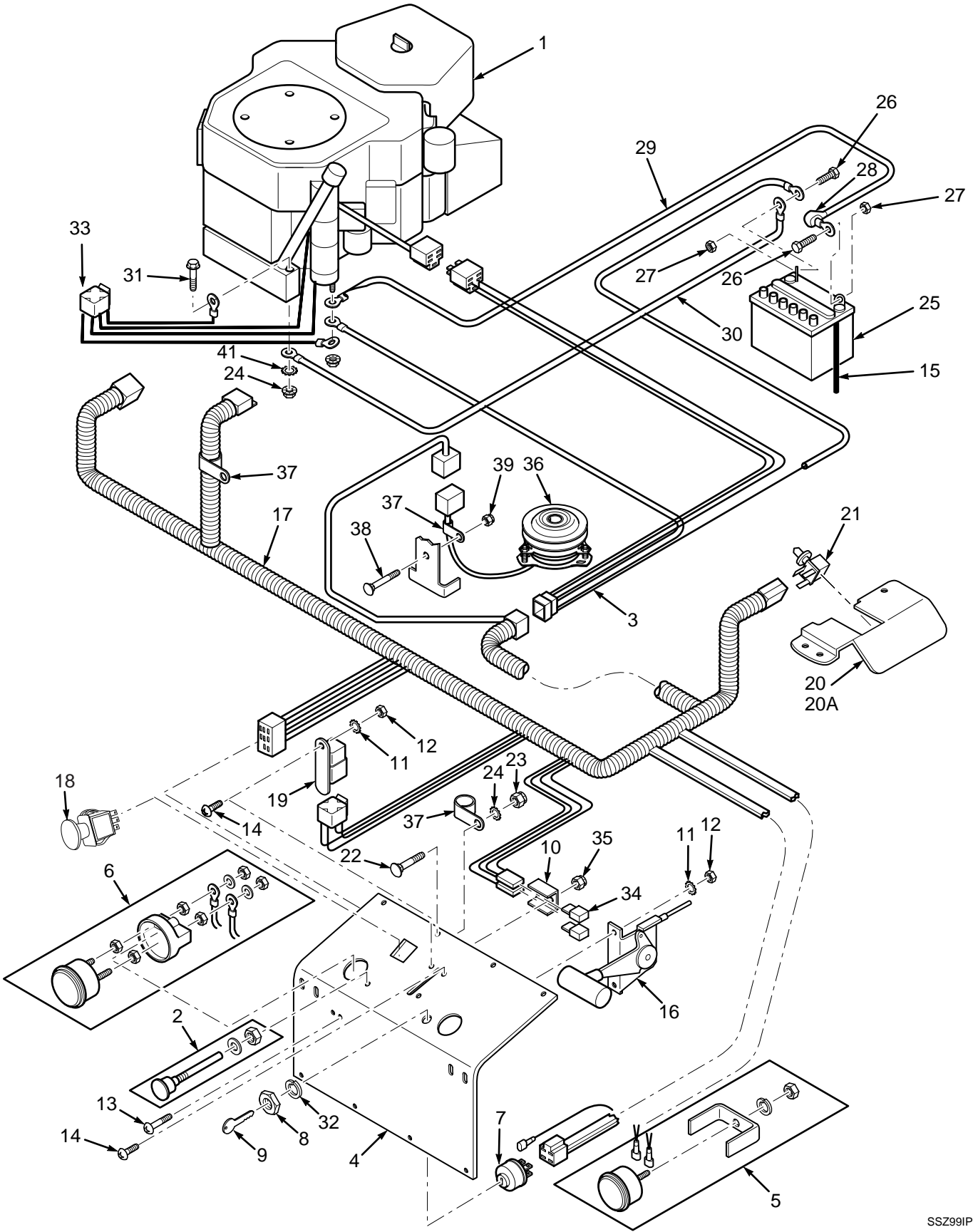
## BRAKE AND STEERING CONTROLS



## BRAKE AND STEERING CONTROLS

Ref. Part				Ref. Part			
No. Number Description	48	52	61	No. Number Description	48	52	61
1 481503 Drive Wheel Assembly	X			39 421266 Latch, Brake	X	X	X
1 481504 Drive Wheel Assembly	X	X	X	40 43256 Swivel Joint	X	X	X
2 481619 Tire Only	X	X	X	41 44080 Rod, Brake	X	X	X
3 48321-04 Rim Only	X			42 48840 Cable Assembly, Parking Brake	X	X	X
3 48958-03 Rim Only	X	X	X	43 422273 Plate, Coupler	X	X	X
4 04028-01 Lug Nut, 1/2-20	X	X	X	44 04017-05 Bolt, Serrated Flange Hex Hd 1/4-20 x 3/4"	X	X	X
5 481578 Axle, LH (Includes brake lever)	X	X	X	45 * Bolt, Hex Head 3/8-16 x 4"	X	X	X
5A 481577 Axle, RH (Includes brake lever)	X	X	X	46 04050-02 Ring, Retaining 3/4" External "E"	X	X	X
6 48784 Pump, LH	X	X	X	47 04019-02 Nut, Serrated Flange Hex 1/4-20	X	X	X
6A 48785 Pump, RH	X	X	X	48 04017-07 Bolt, Serr.Flng.Hex Head 1/4-20 x 1-1/4"	X	X	X
7 45464 Dump Valve, Lever Weldment	X	X	X	49 04060-06 Roll Pin, 3/16 x 3/4"	X	X	X
8 421212 Bracket, Mounting	X	X	X	50 * Nut, Hex 3/8-24	X	X	X
9 04062-01 Hair Pin	X	X	X	51 * Bolt, Hex Head 3/8-16 x 2"	X	X	X
10 04001-95 Bolt, Hex Head 5/16-18 x 5"	X	X	X	52 04041-12 Flatwasher, 3/8 (.375 x 1-1/2" x 16 ga.)	X	X	X
11 * Flatwasher, 5/16"	X	X	X	53 48050 Spring, Brake Lever	X	X	X
12 * Lockwasher, 5/16"	X	X	X	54 * Bolt, Carriage 3/8-16 x 1-1/2"	X	X	X
13 * Nut, Hex 5/16-18	X	X	X	55 04019-04 Nut, Serrated Flange Hex 3/8-16	X	X	X
14 45462 Pump Weldment Shaft	X	X	X	56 04017-16 Bolt, Serr. Flng. HexHead 5/16-18 x 3/4"	X	X	X
15 421203 Clamp Plate	X	X	X	57 04062-02 Hair Pin, 1/16"	X	X	X
16 48829 Block, Pump Control	X	X	X	58 * Nut, Elastic Stop 1/4-20	X	X	X
17 48796 Bushing, Self Align	X	X	X	59 48342 Grip, Parking Brake	X	X	X
18 421204 Bracket, Bearing	X	X	X	60 * Bolt, Hex Head 5/16-18 x 1-1/2"	X	X	X
19 * Bolt, Hex Head 3/8-16 x 1"	X	X	X	61 04021-10 Nut, Elastic Stop 5/16-18	X	X	X
20 * Nut, Elastic Stop 3/8-16	X	X	X	62 04041-08 Flatwasher, 3/4"	X	X	X
21 * Bolt, Hex Head 3/8-16 x 1-1/2"	X	X	X	62A 04041-08S Flatwasher, 3/4" Special	X	X	X
22 04041-07 Flatwasher, 3/8" Special	X	X	X	63 HG44612 Bolt, 1/4-20 x 2-1/2 GR. 5 w/patch	X	X	X
23 48544 Ball Joint, LH Thread	X	X	X	64 HG44276 Bolt, 1/4-20 x 1-1/2 GR. 5 w/patch	X	X	X
24 43246 Link, Turnbuckle	X	X	X	65 04008-02 Bolt, Wheel Mounting	X	X	X
25 48464 Ball Joint, RH Thread	X	X	X	66 HG44127 Pins, Actuating	X	X	X
26 45895 Lever, Pump Transfer LH	X	X	X	67 HG44132 Brake Puck	X	X	X
26A 45896 Lever, Pump Transfer RH	X	X	X	68 HG44134 Backing Plate	X	X	X
27 48114-04 Grease Fitting	X	X	X	69 HG44094 Actuating Lever, RH	X	X	X
28 48100-06 Bushing, LH	X	X	X	69A HG44613 Actuating Lever, LH	X	X	X
28A 48100-05 Bushing, RH	X	X	X	70 * Pin, Cotter	X	X	X
29 45897 Control Lever, LH	X	X	X	71 HG44142 Nut, Castle	X	X	X
29A 45898 Control Lever, RH	X	X	X	72 HG44130 Washer, 7/16 x 7/8 OD x .06 HT	X	X	X
30 * Bolt, Hex Head 5/16-18 x 1-1/2"	X	X	X	73 HG44090 Disc, Brake	X	X	X
31 04019-03 Nut, Serrated Flange Hex 5/16-18	X	X	X	74 HG44143 Key, Hi Pro 3/16 x 5/8	X	X	X
32 421145 Bar Control Lever	X	X	X	75 HG23770 Brake Spacer	X	X	X
33 461037 Control Handle	X	X	X	76 HG23711 Spacer, Torsion Spring	X	X	X
34 04017-27 Bolt, Serrated Flange Hex Head 3/8-16 x 1"	X	X	X	77 HG62589 Brake Yoke Assembly	X	X	X
35 481599 Grip, Control Handle	X	X	X	78 04008-02 Wheel Stud	X	X	X
36 45482 Lever Weldment, Parking Brake	X	X	X				
37 45551 Cam Weldment, Parking Brake	X	X	X				
38 422459 Plate, Parking Brake	X	X	X				

## INSTRUMENT PANEL AND ELECTRICAL COMPONENTS



## INSTRUMENT PANEL AND ELECTRICAL COMPONENTS

Ref. Part No. Number Description	48	52	61
1 481116 Engine 18 hp Kohler CV (**)	X		
481118 Engine 22 hp Kohler CV (**)		X	X
2 481278 Choke Control	X	X	X
3 481070 Adapter	X	X	X

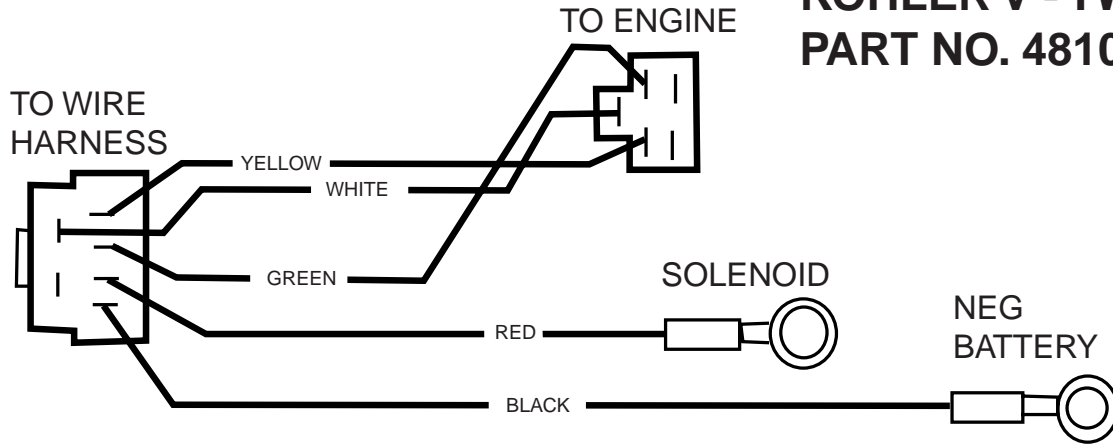
Ref. Part No. Number Description	48	52	61
4 422528 Kick Plate	X	X	X
5 48023 Hour Meter	X	X	X
6 481755 Ammeter			
7 48798 Key Switch (Includes mounting hardware)	X	X	X
8 48017-04 Nut, Hex 5/8-32	X	X	X
9 48017-02 Key & Ring Assembly	X	X	X
10 42413 Bracket, Fuse Holder	X	X	X
11 04031-01 Lockwasher, #10 External Tooth	X	X	X
12 04020-07 Nut, Hex #10-32	X	X	X
13 04010-11 Screw, Phillips Washer Head #10-32 x 1-1/2"	X	X	X
14 04010-01 Screw, Phillips Washer Head #10-32 x 1/2"	X	X	X
15 48015-01 Overflow Tube	X	X	X
16 48879 Throttle Control	X	X	X
17 481682 Wire Harness	X	X	X
18 481687 Switch, Mower Engagement Electric Clutch	X	X	X
19 48788 Relay	X	X	X
20 421253 Neutral Lock Bracket, RH	X	X	X
20A 421252 Neutral Lock Bracket, LH	X	X	X
21 48522 Switch Neutral Lock	X	X	X
22 04003-12 Bolt, Carriage 5/16-18 x .75"	X	X	X
23 04021-10 Nut, Elastic Stop 5/16-18	X	X	X
24 04019-03 Nut, Serrated Flange Hex 5/16-18	X	X	X
25 48015 Battery	X	X	X
26 04001-44 Bolt, Hex Head 1/4-20 x 1/2"	X	X	X
27 04020-02 Nut, Hex 1/4-20	X	X	X
28 48126 Rubber Boot	X	X	X
29 48029-13 Battery Cable, 25" Red	X	X	X
30 48029-11 Battery Cable, 27" Black	X	X	X
31 04017-19 Bolt, Serrated Flange Hex Head 5/16-18 x 1.50"	X	X	X
32 48017-03 Lockwasher, 5/8" Internal	X	X	X
33 481275 Wire Harness W/Relay	X	X	X
34 48298 Fuse, Blade Type 20 amp	X	X	X
35 04021-01 Nut, Elastic Stop #10-32	X	X	X
36 48786 Electric Clutch	X	X	X
37 48030-09 Clamp	X	X	X
38 04003-12 Bolt, Carriage 5/16-18 x 3/4"	X	X	X
39 04021-10 Nut, Elastic Stop 5/16-18	X	X	X
40 04031-09 Lockwasher, 5/16" Internal Tooth	X	X	X

\* Common hardware which should be purchased locally. All bolts Grade 5 plated, all other fasteners zinc plated.

\*\* Contact engine manufacturer for replacement engine.

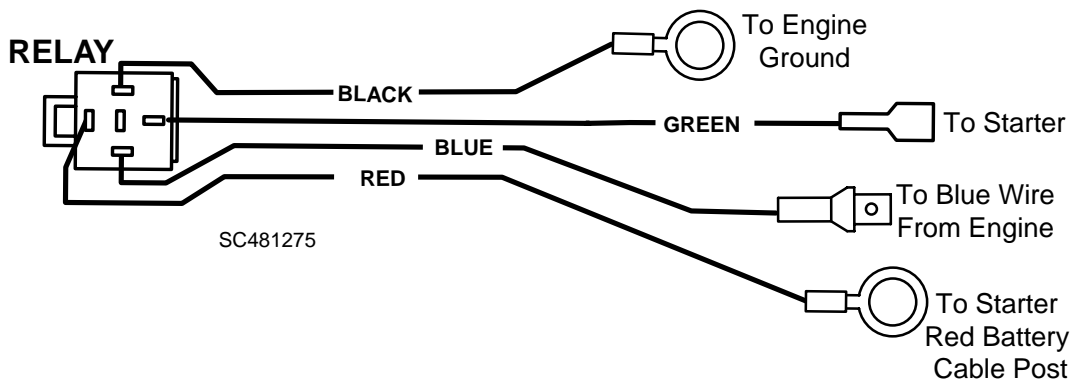


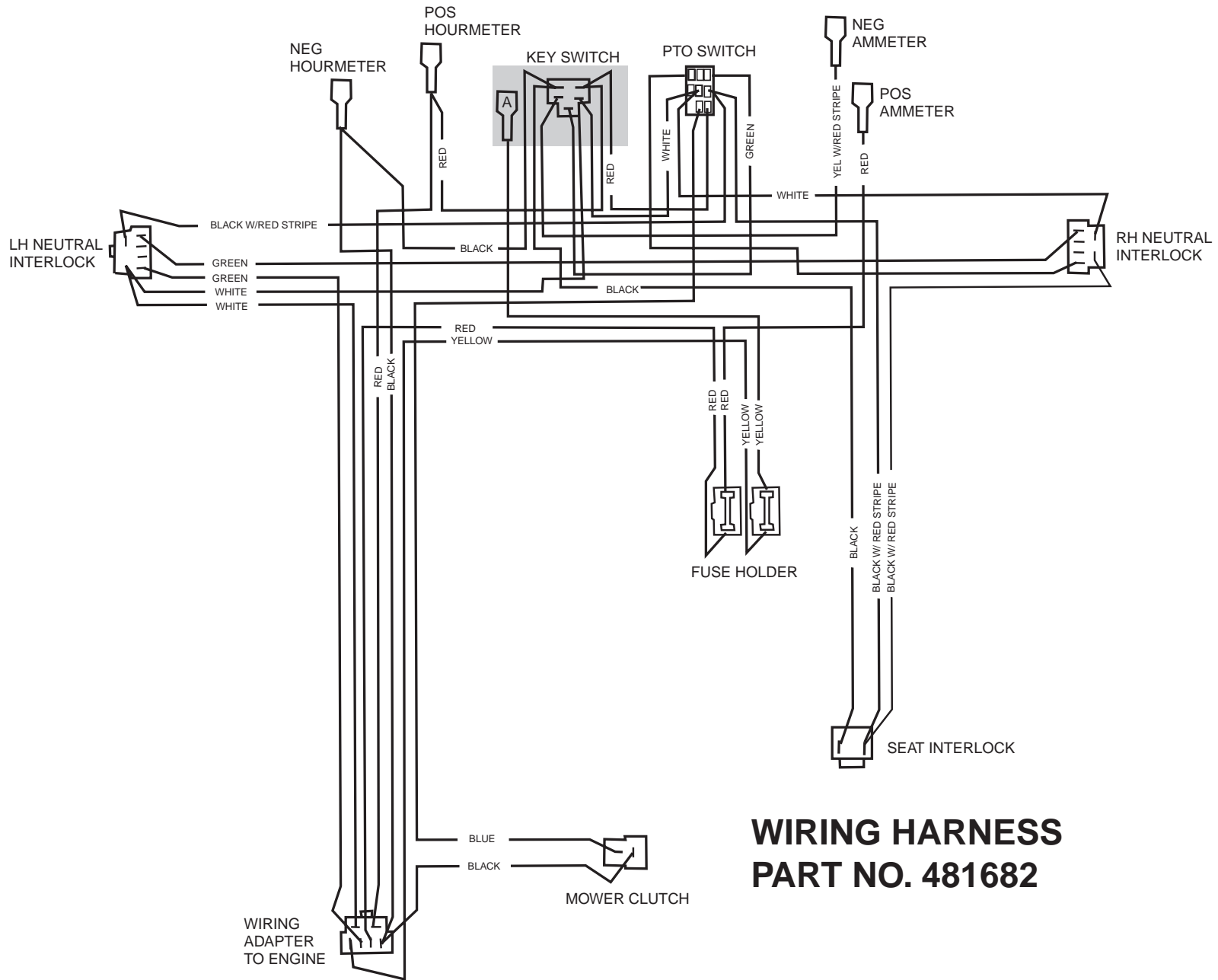
## WIRE HARNESS ADAPTER. KOHLER V - TWIN PART NO. 481070



---

## WIRE HARNESS WITH RELAY PART NO. 481275





## WIRING HARNESS PART NO. 481682

## REPLACEMENT DECALS



48556 - Size 12" x 3.25"



48859 - Size 11.5" x 5.5"



48623 - Size 12" x 3.25"



48072



48404

48318-48"  
48319-52"  
48320-61"

## IMPORTANT ADJUSTMENT PROCEDURES

*READ OPERATOR'S MANUAL FOR MORE DETAILS*



### FREE WHEEL OPERATION

To move machine without running the engine, locate dump valve lever under fender in front of left drive wheel. Unhook and push forward to free wheel. Pull lever back and rehook for normal operation.

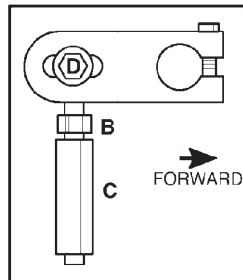
WARNING

**INSTALL BELT COVER BEFORE OPERATING MACHINE**

READ OPERATOR'S MANUAL

### STRAIGHT-LINE RUNNING OR TRACKING ADJUSTMENT

Before making adjustment, be sure both drive tires are inflated equally. Loosen nut (D) on LH pump linkage. If machine pulls to right, move forward in slot to slow left wheel. If machine pulls to left, move rearward in slot to speed up left wheel. Readjust neutral if necessary.

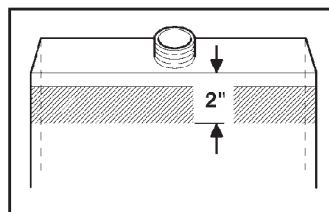


### NEUTRAL ADJUSTMENT

Adjust neutral only with drive wheels elevated and machine blocked securely. Loosen jam nut (B) on the turnbuckle. If wheel rotates forward, adjust turnbuckle (C) clockwise. If wheel rotates rearward, adjust turnbuckle counterclockwise. Adjust until drive wheel stops turning. Tighten jam nut.

### HYDRAULIC FLUID LEVEL

Check hydraulic fluid level daily while fluid is cool. Fluid level should be 2" below top of tank. Fill with SAE 20W50 motor oil only.

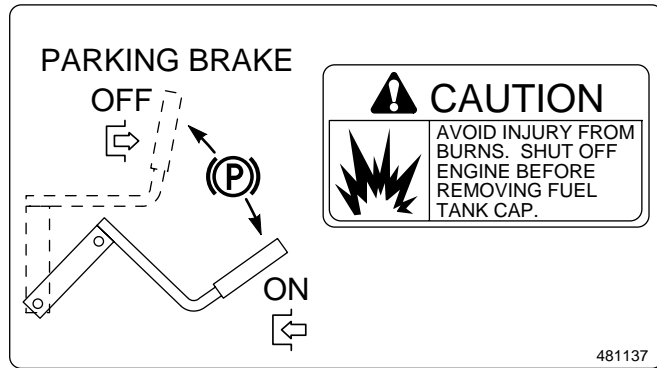


### IMPORTANT!:

Do not overfill. Room for hot fluid expansion must be allowed or resulting expansion may cause leaks in the system.

481041

## REPLACEMENT DECALS



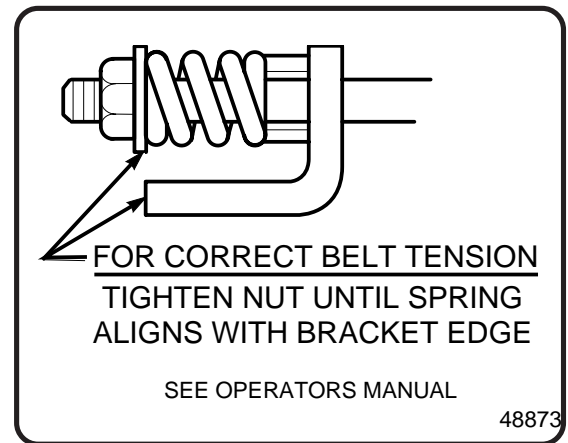
481137



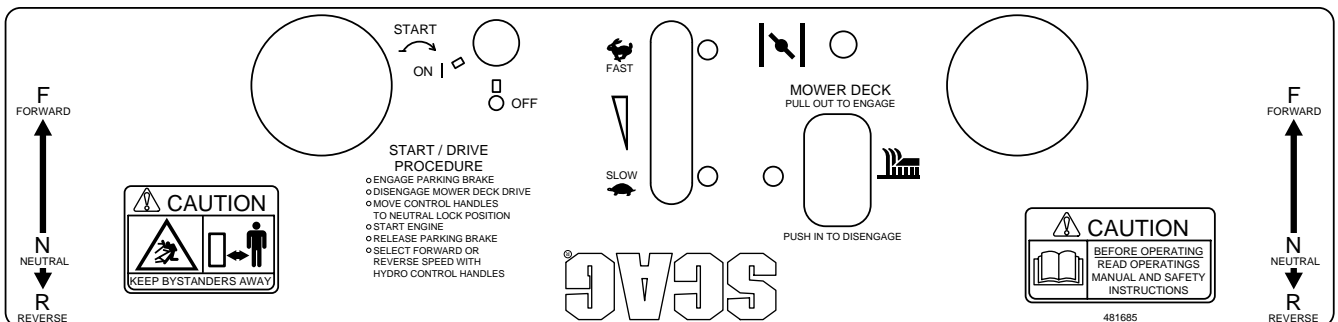
481039



481040



48873



481685

## REPLACEMENT DECALS



481099



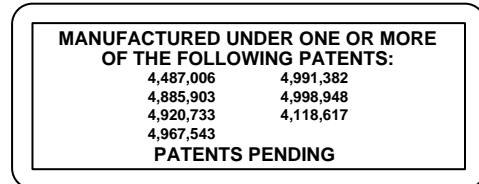
481042



48071



48825 - Size 8.5" x 2"



48656

48656