

# SCAG<sup>®</sup>

## POWER EQUIPMENT

# *OPERATOR'S MANUAL*



## **Fabric Grass Catcher**

**Models: GC-F4**

Congratulations on owning a Scag mower! This manual contains the operating instructions and safety information for your Scag mower accessory. Reading this manual can provide you with assistance in maintenance and adjustment procedures to keep your mower performing to maximum efficiency. The specific models that this book covers are listed on the inside cover. Before operating your machine, please read all the information enclosed.



# WARNING

## **FAILURE TO FOLLOW SAFE OPERATING PRACTICES MAY RESULT IN SERIOUS INJURY OR DEATH.**

- Read and understand the contents of this manual before operating your machine with this accessory attached.
- If the discharge area becomes clogged or plugged, shut off the engine, wait for all moving parts to come to a complete stop and remove the key before removing the obstruction.
- Before performing any maintenance or service, stop the machine, wait for all moving parts to come to a complete stop and remove the key.
- Do not allow children to operate equipment with this accessory installed.
- Do not allow adults to operate equipment with this accessory installed without proper instruction.
- Shut the engine off and wait for all moving parts to come to a complete stop before removing the grass catcher container.
- This accessory, when installed, may change the performance and operation of your machine. Be sure you have practiced operating your machine with this accessory attached in a clear and open area before beginning to mow grass
- Woven fabric, even in normal use, is subject to deterioration and / or wear. Inspect the catcher bag frequently and replace the bag if worn.

## **REMEMBER - YOUR MOWER IS ONLY AS SAFE AS THE OPERATOR!**

**AS WITH ANY TYPE OF POWER EQUIPMENT OR ACCESSORY, CARELESSNESS OR ERROR ON THE PART OF THE OPERATOR MAY RESULT IN SERIOUS BODILY INJURY. TO REDUCE THE POTENTIAL FOR INJURY, PLEASE READ AND FOLLOW THESE INSTRUCTIONS ON SAFE OPERATION AND BE CERTAIN THAT ANYONE USING THIS ACCESSORY FULLY UNDERSTANDS AND COMPLIES WITH THESE INSTRUCTIONS.**

**This manual covers the operating instructions and illustrated parts list for:**

**GC-F4**

**with a part number of**

**9075**

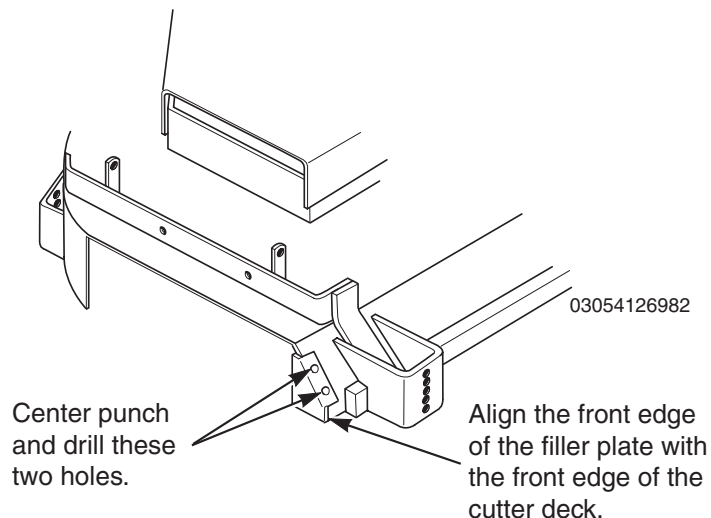
**Always use the entire model number listed when referring to this product.**

## ADVANTAGE CUTTER DECK INSTALLATION INSTRUCTIONS

1. Remove all packaging materials. Lay out the mounting hardware and the catcher assembly parts for easy access. Prepare the work area making sure that it is a clean, safe environment.
2. Remove the discharge chute from the cutter deck. Retain all mounting hardware as the discharge chute must be reinstalled whenever the grass catcher is removed.



3. If you are installing the catcher to a machine with an Advantage cutter deck with a serial number of 8619999 or lower, you must also install the filler plate (item 12, Figure 3, page 5) to the cutter deck. If the machine serial number is 8910001 or higher, proceed to step 6.
4. Hold the filler plate (item 12, Figure 3) to the front of the cutter deck as shown in Figure 1. Center punch the two hole locations in the cutter deck. Drill the holes at the marked locations using a 1/8" drill bit, then finish drilling using a 9/32" drill bit.
5. Install the deck filler plate to the inside front of the Advantage deck using (2) 1/4-20 x 3/4" bolts and (2) 1/4-20 elastic stop nuts.



**Figure 1. Filler Plate Installation for Advantage Cutter Decks**

## ADVANTAGE CUTTER DECK INSTALLATION INSTRUCTIONS

6. Install the mounting bracket (item # 4, Figure 3) to the cover weldment (item # 3, Figure 3) and secure with the hardware provided. Do not tighten the hardware.

**-NOTE-**

*There are two (2) mounting brackets included with this grass catcher.  
The mounting bracket for Advantage cutter decks is longer  
than the mounting bracket for Velocity Plus cutter decks.*

7. Install the grass catcher filler plate (item # 15, Figure 3) as shown. Secure using the hardware provided. Tighten the hardware.
8. Install the grass catcher cover assembly to the discharge mounting area. The grass catcher cover assembly must be installed as shown in Figure 3. Secure the grass catcher cover assembly to the discharge chute mounting area using the hardware provided.
9. Align the grass catcher cover assembly with the discharge opening on the cutter deck and tighten the hardware securing the mounting bracket to the cover weldment.
10. Install the fabric bag onto the grass catcher cover assembly.
11. Install the grass catcher stop (item # 17, Figure 3) and secure using hardware provided.
12. Operate and test.

## VELOCITY PLUS CUTTER DECK INSTALLATION INSTRUCTIONS

1. Remove all packaging materials. Lay out the mounting hardware and the catcher assembly parts for easy access. Prepare the work area making sure that it is a clean, safe environment.
2. Remove the discharge chute from the cutter deck. Retain all mounting hardware as the discharge chute must be reinstalled whenever the grass catcher is removed.



3. Install the mounting bracket (item # 4, Figure 4) to the cover weldment (item # 3, Figure 4) and secure with the hardware provided. Do not tighten the hardware.

## VELOCITY PLUS CUTTER DECK INSTALLATION INSTRUCTIONS

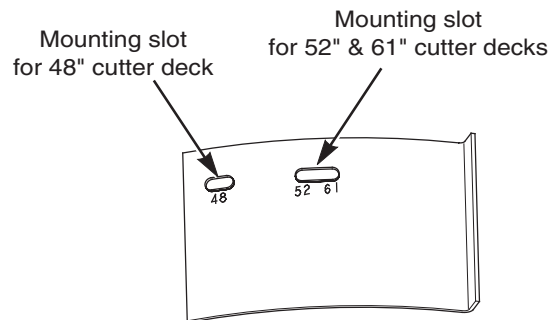
**-NOTE-**

*There are two (2) mounting brackets included with this grass catcher. The mounting bracket for Advantage cutter decks is longer than the mounting bracket for Velocity Plus cutter decks.*

7. Install the grass catcher filler plate (item # 15, Figure 4) as shown in Figure 4. There are two (2) mounting slots in the grass catcher filler plate. Reference Figure 2 below for the correct mounting slot for the deck size this catcher will be mounted on. Secure using the hardware provided and tighten.

**-NOTE-**

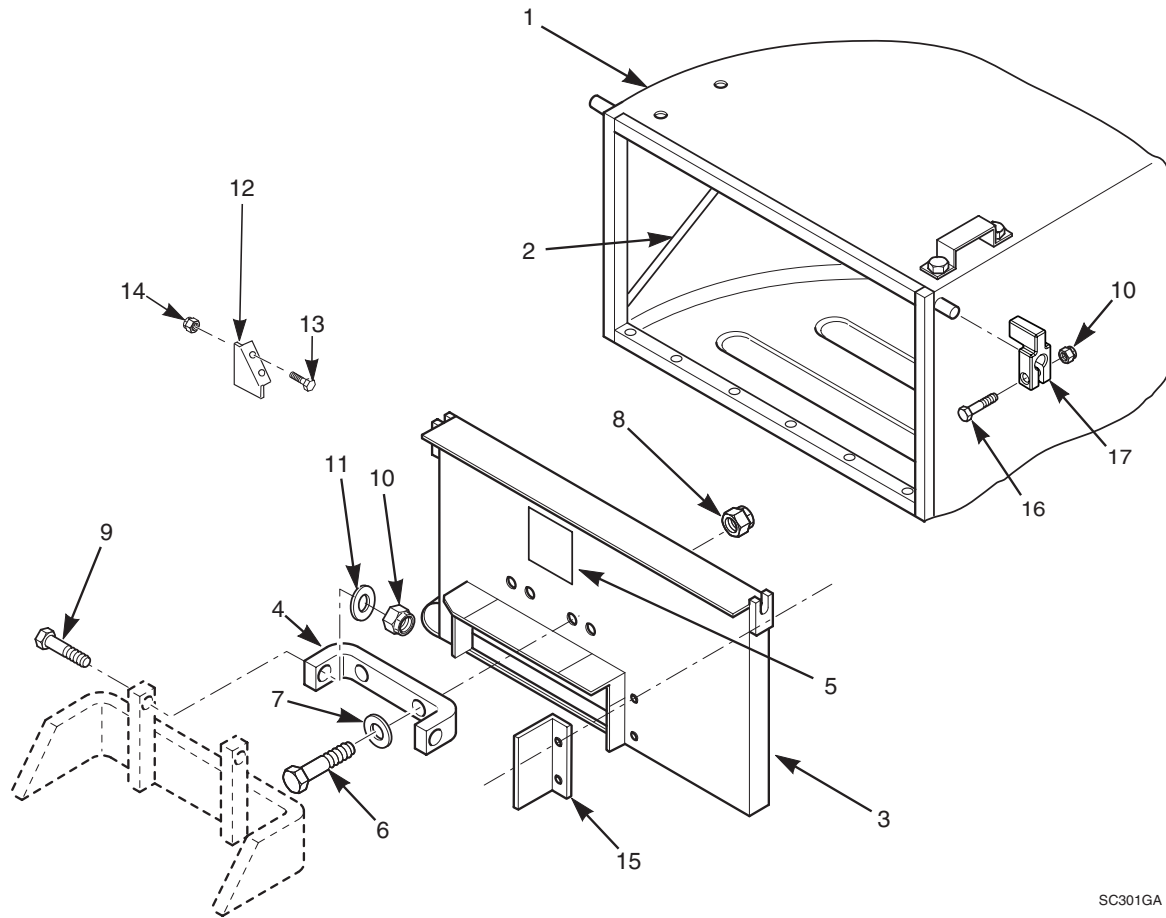
*If the Velocity Plus cutter deck is equipped with a Turbo Baffle, it will need to be removed when installing the grass catcher filler plate. Retain the Turbo Baffle and mounting hardware as this will need to be reinstalled when the grass catcher is removed.*



**Figure 2. Filler Plate Installation for Velocity Plus Cutter Decks**

8. Install the grass catcher cover assembly to the discharge mounting area. The grass catcher cover assembly must be installed as shown in Figure 4. Secure the grass catcher cover assembly to the discharge chute mounting area using the hardware provided.
9. Align the grass catcher cover assembly with the discharge opening on the cutter deck and tighten the hardware securing the mounting bracket to the cover weldment.
10. Install the fabric bag onto the grass catcher cover assembly.
11. Install the grass catcher stop (item # 17, Figure 4) and secure using hardware provided.
12. Operate and test.

## Grass Catcher GC-F4 for Advantage Cutter Decks



SC301GA

**Figure 3**

Ref. No.	Part Number	Description
1	481140	Catcher Bag
2	481135	Frame Weldment With Catcher Bag and Handle Assembly
3	461875	Cover Weldment With Decal
4	42211	Bracket, Mounting
5	483380	Decal, Danger
6	04001-20	Bolt, 3/8-16 x 1-1/2" Hex Head
7	04041-07	Flat Washer, 3/8" (.391 x .938 x .105)
8	04021-09	Nut, 3/8-16 Elastic Stop
9	04001-10	Bolt, 5/16-18 x 1-1/4" Hex Head
10	04021-10	Nut, 5/16-18 Elastic Stop
11	04040-15	Flat Washer, 5/16" (.375 x .875 x .083)
12	422592	Filler Plate, Chute Advantage Deck Only
13	04001-01	Bolt, Hex Head 1/4-20 x 3/4"
14	04021-08	Nut, Elastic Stop 1/4-20
15	424355	Filler Plate, Grass Catcher Advantage Decks
16	04001-11	Bolt, 5/16-18 x 1-1/2" Hex Head
17	484192	Stop, Grass Catcher



# NOTES



## LIMITED WARRANTY- COMMERCIAL ACCESSORY

---

Any part of the Scag commercial accessory manufactured by Scag and found, in the reasonable judgment of Scag, to be defective in materials or workmanship, will be repaired or replaced by an Authorized Scag Service Dealer without charge for parts and labor.

The Scag accessory, including any defective part, must be returned to an Authorized Scag Service Dealer within the warranty period. The expense of delivering the accessory to the dealer for warranty work and the expense of returning it back to the owner after repair or replacement will be paid for by the owner. Scag's responsibility in respect to claims is limited to making the required repairs or replacements, and no claim of breach of warranty shall be cause for cancellation or rescission of the contract of sale of any Scag machine. Proof of purchase will be required by the dealer to substantiate any warranty claim. All warranty work must be performed by an Authorized Scag Service Dealer.

This warranty is limited to 90 days (excluding grass catcher blower assemblies) from the date of original retail purchase for any Scag accessory that is used for commercial purposes, or any other income-producing purpose including rental use.

Grass catcher blower assembly (excluding the drive belt) warranty is limited to 1 year from the date of original retail purchase. Parts and labor.

This warranty does not cover any accessory that has been subject to misuse, neglect, negligence, accident, or that has been operated in any way contrary to the operating instructions as specified in the Operator's Manual. The warranty does not apply to any damage to the accessory that is the result of improper maintenance, or to any accessory or parts that have not been assembled or installed as specified in the Operator's Manual.

The warranty does not cover any accessory that has been altered or modified. In addition, the warranty does not extend to repairs made necessary by normal wear, or by the use of parts or accessories which, in the reasonable judgment of Scag, are either incompatible with the Scag mower or adversely affect its operation, performance or durability. This warranty does not cover engines and electric starters, which are warranted separately by their manufacturer.

Scag Power Equipment reserves the right to change or improve the design of any accessory without assuming any obligation to modify any accessory previously manufactured.

All other implied warranties are limited in duration to the periods specified above. Accordingly, any such implied warranties including merchantability, fitness for a particular purpose, or otherwise, are disclaimed in their entirety after the expiration of the appropriate warranty period. Scag's obligation under this warranty is strictly and exclusively limited to the repair or replacement of defective parts and Scag does not assume or authorize anyone to assume for them any other obligation. Some states do not allow limitations on how long an implied warranty lasts, so the above limitation may not apply to you.

Scag assumes no responsibility for incidental, consequential or other damages including, but not limited to, expense for gasoline, oil, expense of delivering the machine to an Authorized Scag Service Dealer and expense of returning it back to the owner, mechanic's travel time, telephone or telegram charges, rental of a like product during the time warranty repairs are being performed, travel, loss or damage to personal property, loss of revenue, loss of use of the mower, loss of time, or inconvenience. Some states do not allow the exclusion or limitation of incidental or consequential damages, so the above limitation or exclusion may not apply to you.

This warranty gives you specific legal rights, and you may also have other rights which vary from state to state.

