



OPERATOR'S MANUAL

FABRIC 2-BAG GRASS CATCHER

Model: GC-SZL/SFZ/SPZ



This manual contains the operating instructions and safety information for your Scag mower accessory. Reading this manual can provide you with assistance in maintenance and adjustment procedures to keep your mower accessory performing to maximum efficiency. The specific models that this book covers are listed on the inside cover. Before operating your machine, please read all the information enclosed.



WARNING

FAILURE TO FOLLOW SAFE OPERATING PRACTICES MAY RESULT IN SERIOUS INJURY OR DEATH.

- Read this manual completely as well as other manuals that came with your mower.
- DO NOT operate on steep slopes. To check a slope, attempt to back up it (with the cutter deck down). If the machine can back up the slope without the wheels slipping, reduce speed and use extreme caution.
- Under no circumstances should the machine be operated on slopes greater than 15 degrees. ALWAYS FOLLOW OSHA APPROVED OPERATION.
- Stay two cut widths away from slopes, drop offs, ditches, water and retaining walls.
- DO NOT mow on wet grass. Wet grass reduces traction and steering control.
- Keep all shields in place, especially the grass discharge chute.
- Before performing any maintenance or service, stop the machine and remove the spark plug wire and ignition key.
- If a mechanism becomes clogged, stop the engine before cleaning.
- Keep hands, feet and clothing away from power-driven parts.
- Keep others off the mower (only one person at a time)

REMEMBER - YOUR MOWER IS ONLY AS SAFE AS THE OPERATOR!

HAZARD CONTROL AND ACCIDENT PREVENTION ARE DEPENDENT UPON THE AWARENESS, CONCERN, PRUDENCE, AND PROPER TRAINING OF THE PERSONNEL INVOLVED IN THE OPERATION, TRANSPORT, MAINTENANCE, AND STORAGE OF THE EQUIPMENT.

This manual covers the operating instructions and illustrated parts list for:

GC-SZL/SFZ/SPZ

with a serial number of

T0200001 to T0299999

Always use the entire serial number listed on the serial number tag when referring to this product.

GENERAL INFORMATION

1.1 INTRODUCTION

This manual has been prepared to provide the information you need to correctly assemble, operate, and maintain this grass catcher. Read it carefully and keep it for future reference.

THE REPLACEMENT OF ANY PART ON THIS PRODUCT BY OTHER THAN THE MANUFACTURER'S AUTHORIZED REPLACEMENT PART MAY ADVERSELY AFFECT THE PERFORMANCE, DURABILITY OR SAFETY OF THIS PRODUCT.

USE OF OTHER THAN ORIGINAL SCAG REPLACEMENT PARTS WILL VOID THE WARRANTY.

If additional information or service is needed that is not outlined in this manual, please contact your Scag Power Equipment dealer. Scag dealers are trained in the latest service methods and carry a full line of Scag replacement parts.

When ordering parts, always provide the complete model number and serial number of your catcher.

All information provided in this manual is based upon information available at the time of printing. Scag Power Equipment reserves the right to make changes at any time without notice or obligation.

1.2 DIRECTION REFERENCE

The "Right" and "Left", "Front" and "Rear" of the machine are referenced from the operator's right and left when seated in the normal operating position and facing the forward travel direction.

1.3 SAFETY AND OPERATING INSTRUCTIONS

NOTE -

To avoid personal injury, it is imperative that all safety instructions be observed.

1. Read this operator's manual and the operator's manual that is supplied with the machine this attachment is used on.

A replacement manual is available from your authorized Scag Service Dealer or by contacting: Scag Power Equipment, Service Department at P.O. Box 152, Mayville, WI 53050. You may also contact us through our website at www.scag.com. The manual for this grass catcher can be downloaded by using the model and serial number or use the contact form to make your request. Please indicate the complete model and serial number of your Scag product when requesting replacement manuals.

WARNING

Do not operate without discharge chute, mulch kit, or entire grass catcher installed.

2. Before removing the grass bags, disengage the mower, stop the engine and wait for all movement to stop.
3. **ALWAYS** turn the engine **OFF**, remove the key and wait for all movement to stop before servicing or cleaning the mower or the grass catcher.

DANGER



**ROTATING BLOWER
BLADES**
**STOP ENGINE BEFORE
ENTERING CHUTE**
CONTACT CAN INJURE

4. Do not modify or alter any component of the grass catcher attachment or mower.
5. Do not allow any passengers to ride on the grass catcher attachment or on the mower.

2.1 DISCHARGE CHUTE AND CUTTER BLADE REMOVAL

- NOTE -

Use the illustrated parts list as a part number reference when following the assembly instructions.

-IMPORTANT-

When installing this grass catcher on a machine, one of the following Installation Kits must be installed for proper performance and operation.

SZL36 / SFZ36 - Installation Kit p/n 9071

SZL42 - Installation Kit p/n 901U

SZL48 / SFZ48 - Installation Kit p/n 9069

SZL52 / SFZ52 - Installation Kit p/n 9070

SFZP52 / SPZ52 - Installation Kit p/n 9070

SFZ61 / SFZP61 - Installation Kit p/n 9073

SPZ61 - Installation Kit 9073

1. Remove all packaging materials. Lay out the mounting hardware and the catcher assembly parts for easy access. Prepare the work area making sure that it is a clean, safe environment.

⚠ WARNING

Do not operate without discharge chute, mulch kit, or entire grass catcher installed.

2. Remove the discharge chute from the cutter deck. See Figure 2-1.

- NOTE -

Do not discard the discharge chute or mounting hardware. The discharge chute **MUST** be reinstalled any time the grass catcher has been removed from the machine.

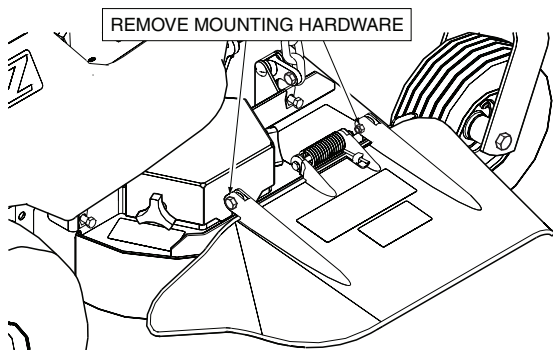


Figure 2-1. Discharge Chute Removal

3. Block the rear wheels and apply the parking brake to prevent the machine from moving. Lift the front of machine for easy and safe access to the underside of the cutter deck. Remove the ignition key and disconnect the positive and negative battery cables.
4. Remove the original cutter blades from the cutter deck. To remove the cutter blades from the spindles, install a 1" open-end wrench onto the flats provided on the spindle shaft. This will allow you to hold the spindle in place and prevent it from rotating as you remove the blade mounting bolt (use optional Blade Buddy tool P/N 9212 to assist in securing the cutter blades). Use a 15/16" box wrench or socket to remove the blade mounting bolt. See Figure 2-2. Be sure to retain the bolts, lockwashers and flatwashers as the hardware will be needed to install the cutter blades included with this grass catcher.

⚠ WARNING

Blades have a sharp edge. Wear proper eye protection and protective gloves or wrap blades with protective material when removing, sharpening and installing.

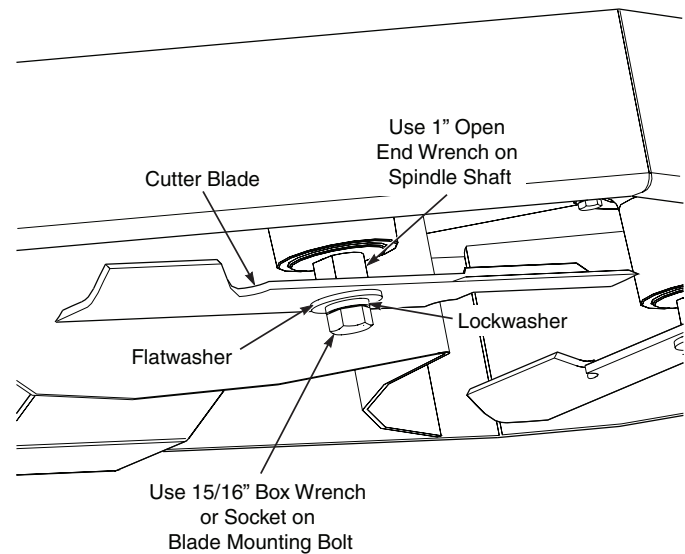


Figure 2-2. Cutter Blade Removal

- NOTE -

Do not discard the original blades. The blades may be reinstalled any time the grass catcher has been removed from the machine.

Section 2

2.2 ASSEMBLY INSTRUCTIONS - SZL36 / SFZ36 CUTTER DECK COMPONENTS

1. Install the right side cutter deck baffle as shown in Figure 2-3. Secure using (2) 3/8-16 x 1" carriage bolts, (2) 3/8" flatwashers and (2) 3/8-16 elastic stop nuts.

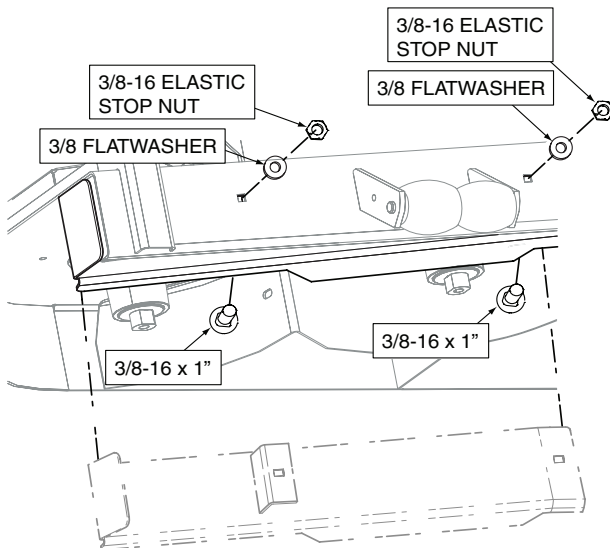


Figure 2-3. SFZ36 Right Side Baffle

2. Tighten the hardware.
3. Remove and retain the hardware used to secure the grass catcher boot mounting bracket onto the boot assembly supplied with the grass catcher. See Figure 2-4. The grass catcher boot mounting bracket will be replaced in Step 4.

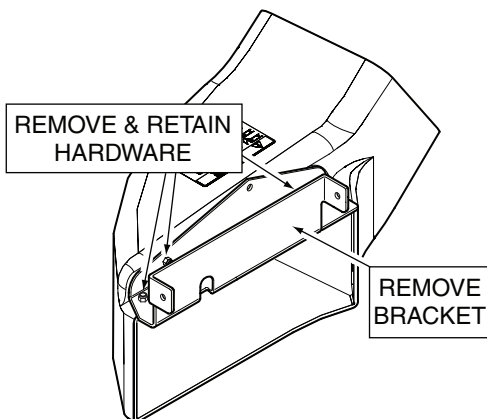


Figure 2-4. Remove GC Boot Mounting Bracket

4. Install the new grass catcher boot mounting bracket (p/n 424915) supplied with the SZL36 / SFZ36 Installation Kit onto the boot assembly. Secure using the original hardware that was removed in the previous step. See Figure 2-5.

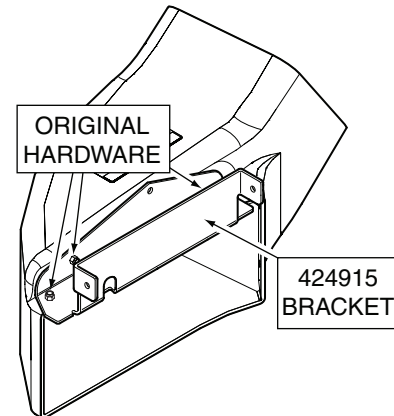


Figure 2-5. GC Boot Mounting Bracket Installation

5. Install the deflector baffle included with the catcher installation kit to the discharge boot and secure using (2) 1/4-20 x 1" hex head bolts, (4) 1/4" flatwashers and (2) 1/4-20 elastic stop nuts. See Figure 2-6. Tighten the hardware.

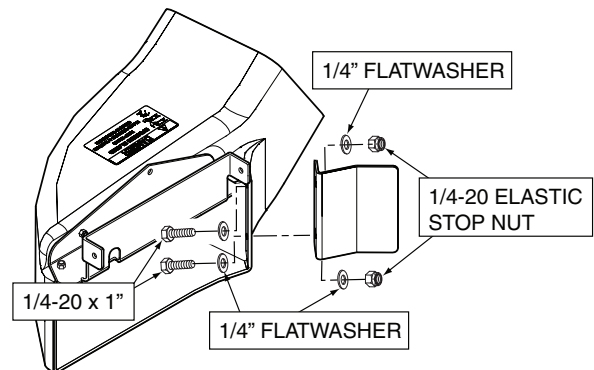


Figure 2-6. Blower Installation

6. Install the new cutter blades included with the SZL36 / SFZ36 Installation Kit and secure using the hardware removed in Section 2.1, Step 4. On the right side of the cutter deck, install the cross cutter blade below the high lift cutter blade as shown in Figure 2-7. Use optional Blade Buddy tool P/N 9212 to assist in securing the cutter blades.

-NOTE-

The cross blade is installed on the right side only.

WARNING

Blades have a sharp edge. Wear proper eye protection and protective gloves or wrap blades with protective material when removing, sharpening and installing.

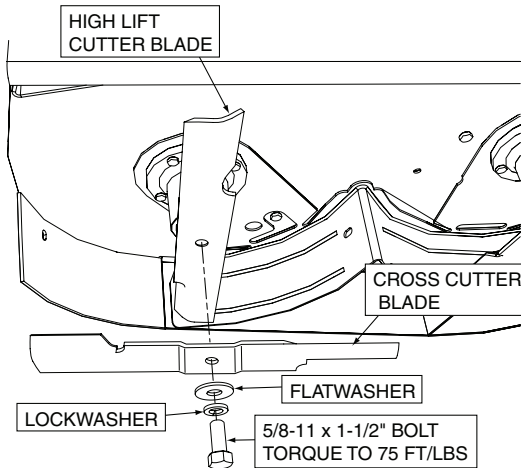


Figure 2-7. High Lift Cutter Blade Installation

7. Lower the machine.
8. Proceed to Section 2.4, Page 5.

2.3 ASSEMBLY INSTRUCTIONS - 42 / 48 / 52 / 61 CUTTER DECK COMPONENTS (ALL MODELS)

1. Install the left side cutter deck baffle supplied in the grass catcher Installation Kit as shown in Figure 2-8. Secure using (2) 3/8-16 x 1" carriage bolts, (2) 3/8" flatwashers, (2) 3/8-16 elastic stop nuts, (1) 5/16-18 x 1" carriage bolt, (1) 5/16" flatwasher and (1) 5/16-18 center lock nut.

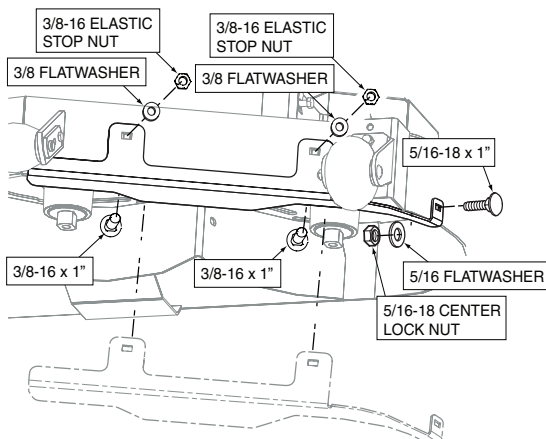


Figure 2-8. Left Side Deck Baffle Installation

2. Tighten the hardware.
3. Install the right side cutter deck baffle supplied in the grass catcher Installation Kit as shown in Figure 2-9. Secure using (2) 3/8-16 x 1" carriage bolts, (2) 3/8" flatwashers and (2) 3/8-16 elastic stop nuts.

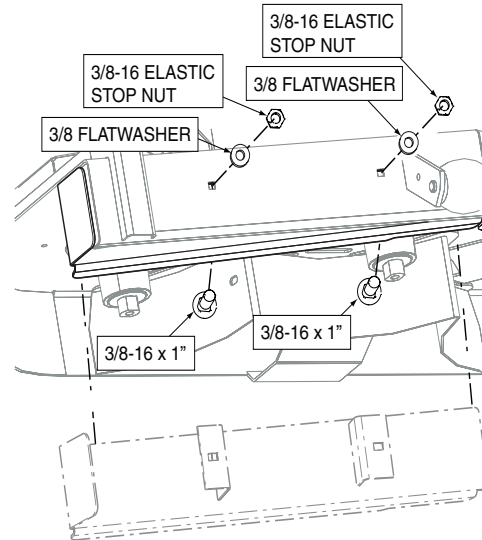


Figure 2-9. Right Side Deck Baffle Installation

4. Tighten the hardware.
5. Install the deflector baffle included with the catcher Installation Kit to the discharge boot and secure using (2) 1/4-20 x 1" hex head bolts, (4) 1/4" flatwashers and (2) 1/4-20 elastic stop nuts. See Figure 2-10.

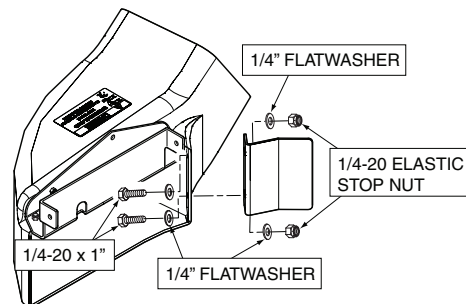


Figure 2-10. Deflector Baffle Installation

6. Tighten the hardware.
7. Install the new cutter blades included with the Installation Kit and secure using the hardware removed in Section 2.1, Step 4. On the right side of the cutter deck, install the cross cutter blade below the high lift cutter blade as shown in Figure 2-11. Use optional Blade Buddy tool P/N 9212 to assist in securing the cutter blades.

-NOTE-

The cross blade is installed on the right side only.

Section 2

⚠ WARNING

Blades have a sharp edge. Wear proper eye protection and protective gloves or wrap blades with protective material when removing, sharpening and installing.

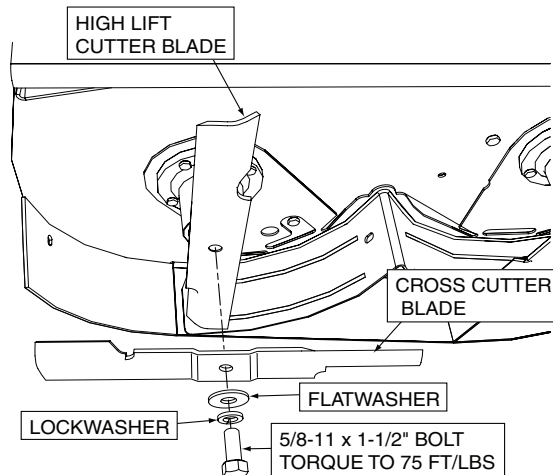


Figure 2-11. High Lift Cutter Blade Installation

- Lower the machine.

2.4 ASSEMBLY INSTRUCTIONS - DISCHARGE AND HOPPER COMPONENTS

- Install the discharge boot assembly to the cutter deck and secure to the discharge chute mounting tabs. Secure with the long clevis pin and hair pin cotter. See Figure 2-12.

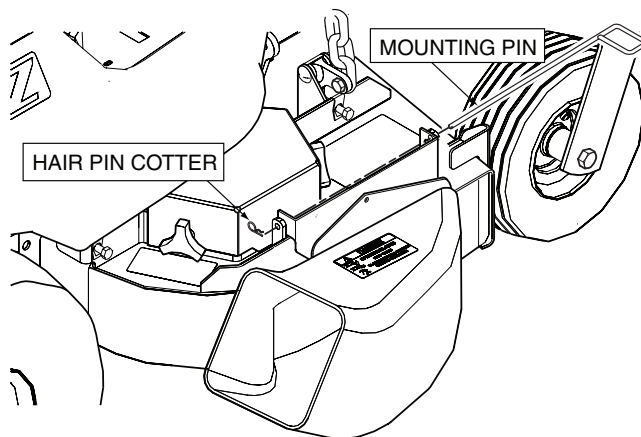


Figure 2-12. GC Discharge Boot Installation

- Install the left and right side grass catcher mounting brackets to the rear of the machine. Secure using (4) 3/8-16 x 1" hex head bolts and (4) 3/8-16 serrated flange nuts. See Figure 2-13 for SZL36 / SZL42 and Figure 2-14 for all other models.

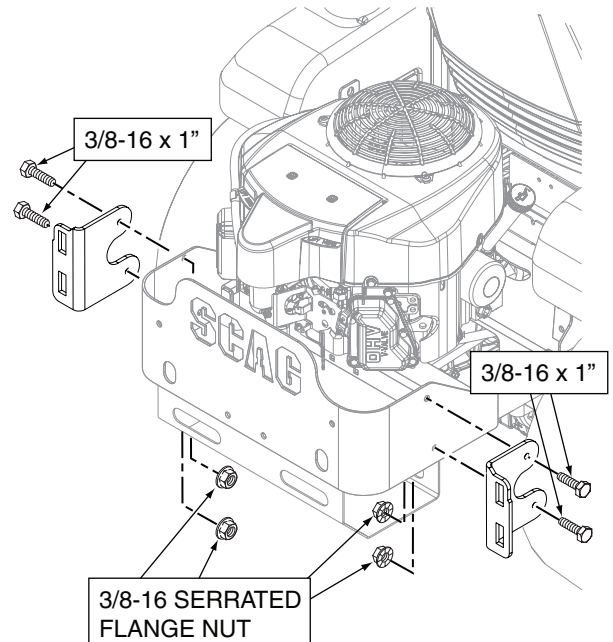


Figure 2-13. SZL36 / SZ42 GC Mounting Bracket Installation

-NOTE-

SFZP Model shown below. Mounting brackets attach the same way regardless of model.

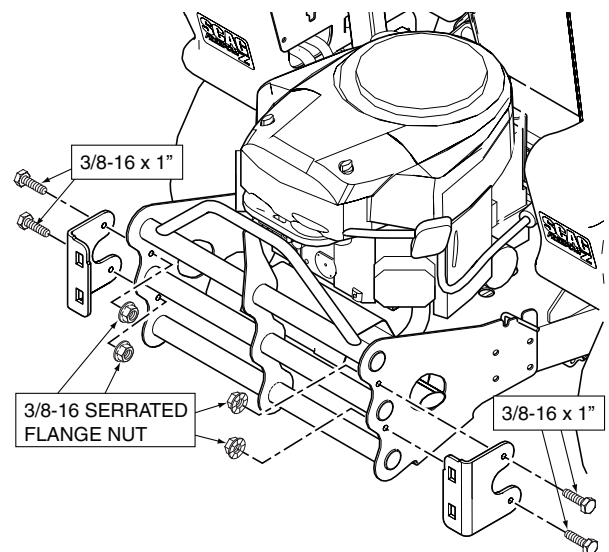


Figure 2-14. GC Mounting Bracket Installation

3. Tighten the hardware.
4. Install the left and right side upright mounting tubes to the grass catcher hood assembly. Secure using (4) 3/8-16 x 2-1/4" hex head bolts and (4) 3/8-16 elastic stop nuts. See Figure 2-15.

-NOTE-

For SZL models, the mounting tubes are installed in the outer mounting holes as shown below.

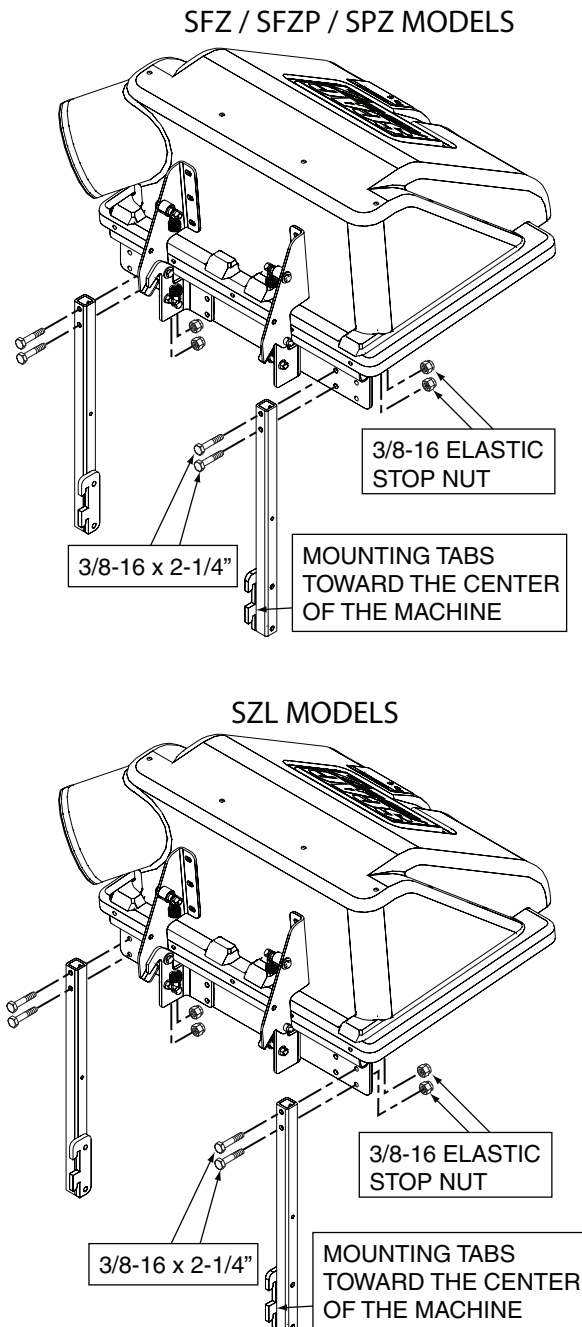


Figure 2-15. Up Tube Installation

5. Install the adapter to the hose and secure with (1) 8-5/8" clamp included with this grass catcher. See Figure 2-16.

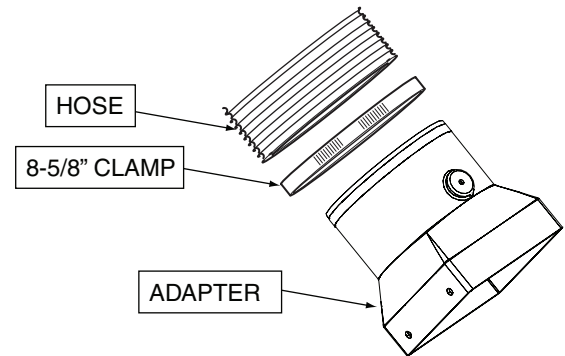


Figure 2-16. Hose to Adapter Installation

6. With help from an assistant, install the grass catcher hood assembly onto the grass catcher mounting brackets installed on the machine in Step 4. See Figure 2-17 for SFZ / SFZP models and Figure 2-18 for the SZL models. Secure with the (2) snap pins included with this grass catcher.

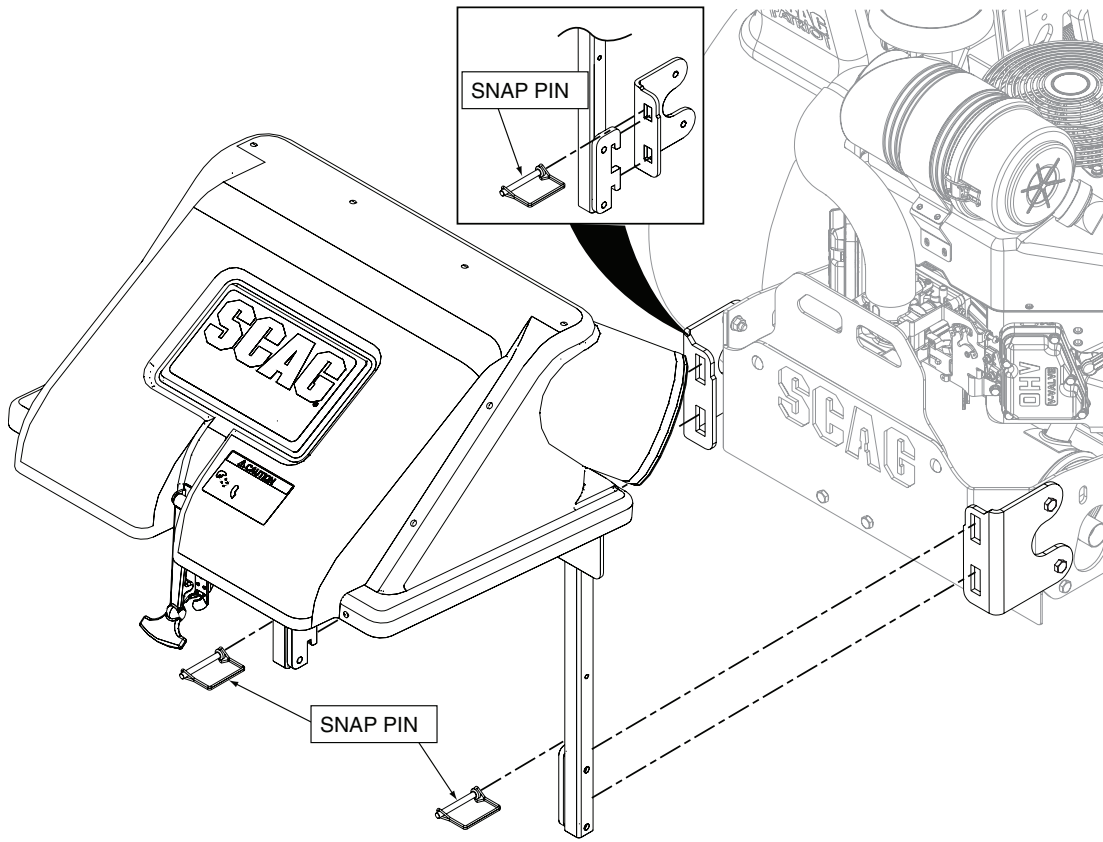


Figure 2-17. SFZ / SFZP / SPZ Hood Assembly Installation

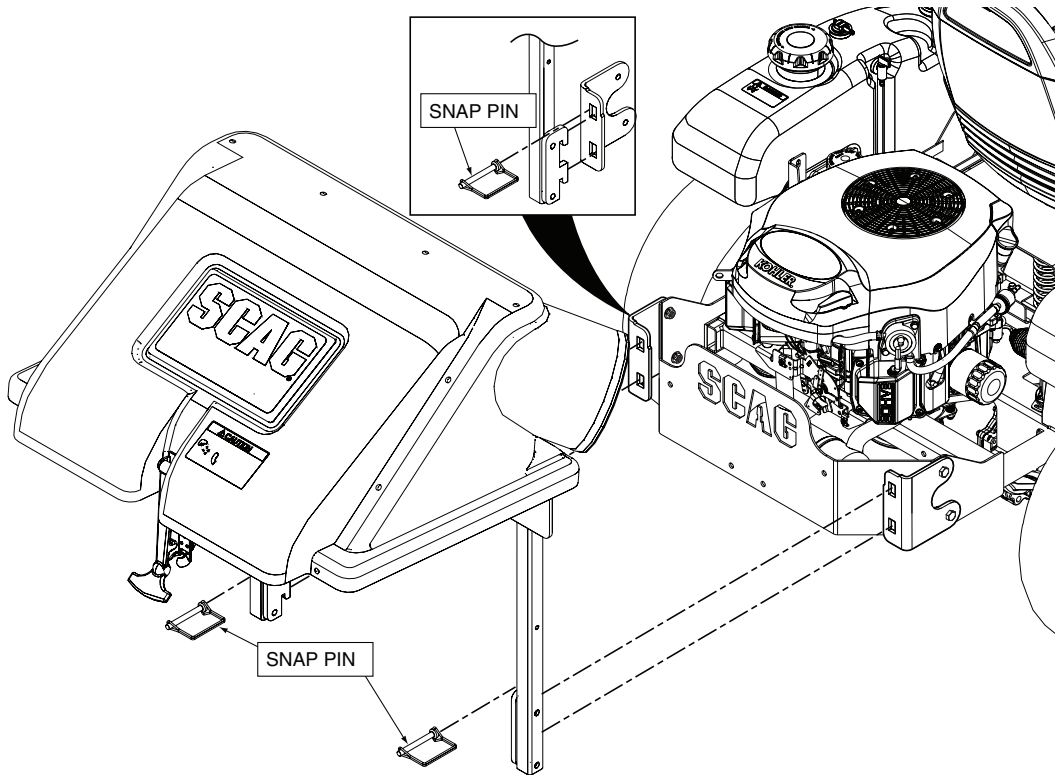


Figure 2-18. SZL Hopper Mounting Holes

- Install the hose to the hood assembly and secure with (1) 8-5/8" clamp included with this grass catcher. See Figure 2-19.

-NOTE-

When installing this catcher the discharge hose may need to be shortened. Follow the steps below when required.

Lower the cutter deck on the machine to the lowest cutting height.

If required, shorten the hose assembly before securing it to the hood assembly. Route the hose up to the hood assembly and mark the hose length required which will not allow the hose to "sag" or "droop".

Cut the hose to the required length.

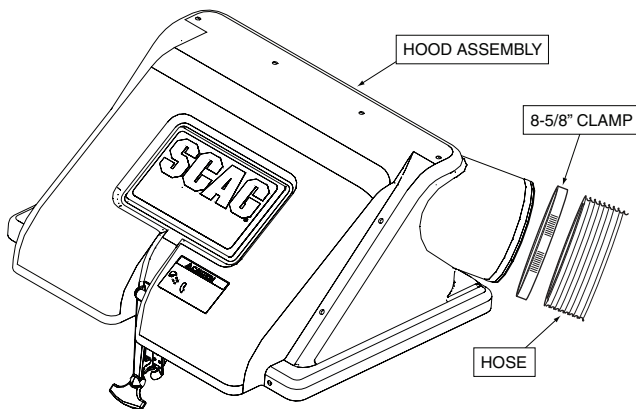


Figure 2-19. Hose Installation

- Install the hose and adapter assembly to the discharge boot assembly installed on the cutter deck. Secure with the rubber strap. See Figure 2-20.

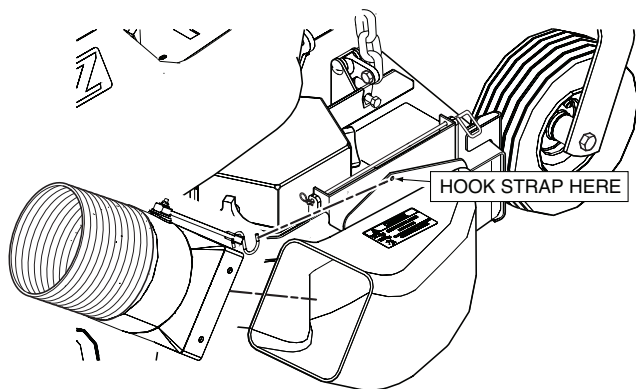


Figure 2-20. Hose and Adapter to Chute Installation

2.5 ASSEMBLY INSTRUCTIONS - FRONT WEIGHT COMPONENTS

- For SFZP and SPZ units, remove the front (2) serrated flange nuts securing the foot plate to the machine. This will allow the foot plate to lift upward and allow the front weight bar to be installed on the machine.
- Install the front weight support bar to the machine and secure using (2) 1/2-13 x 1-1/4" hex head bolts, (2) 1/2" flatwashers and (2) 1/2-13 serrated flange nuts. See Figure 2-21 for SFZ, SFZP and SPZ models and Figure 2-22 for SZL models.
- Tighten the hardware and re-install the front (2) serrated flange nuts to secure the foot plate to the machine.
- Install all weights (x2) included with this grass catcher.
- Lift the hood assembly and install the bag assemblies. Installation of this grass catcher accessory is complete.
- Reconnect the positive and negative battery cables.
- Operate and test the machine.

WARNING

Do not operate without discharge chute, mulch kit, or entire grass catcher installed.

WARNING

Always turn the engine off, remove the key and wait for all movement to stop before emptying the grass bags or servicing or cleaning the mower or grass catcher.

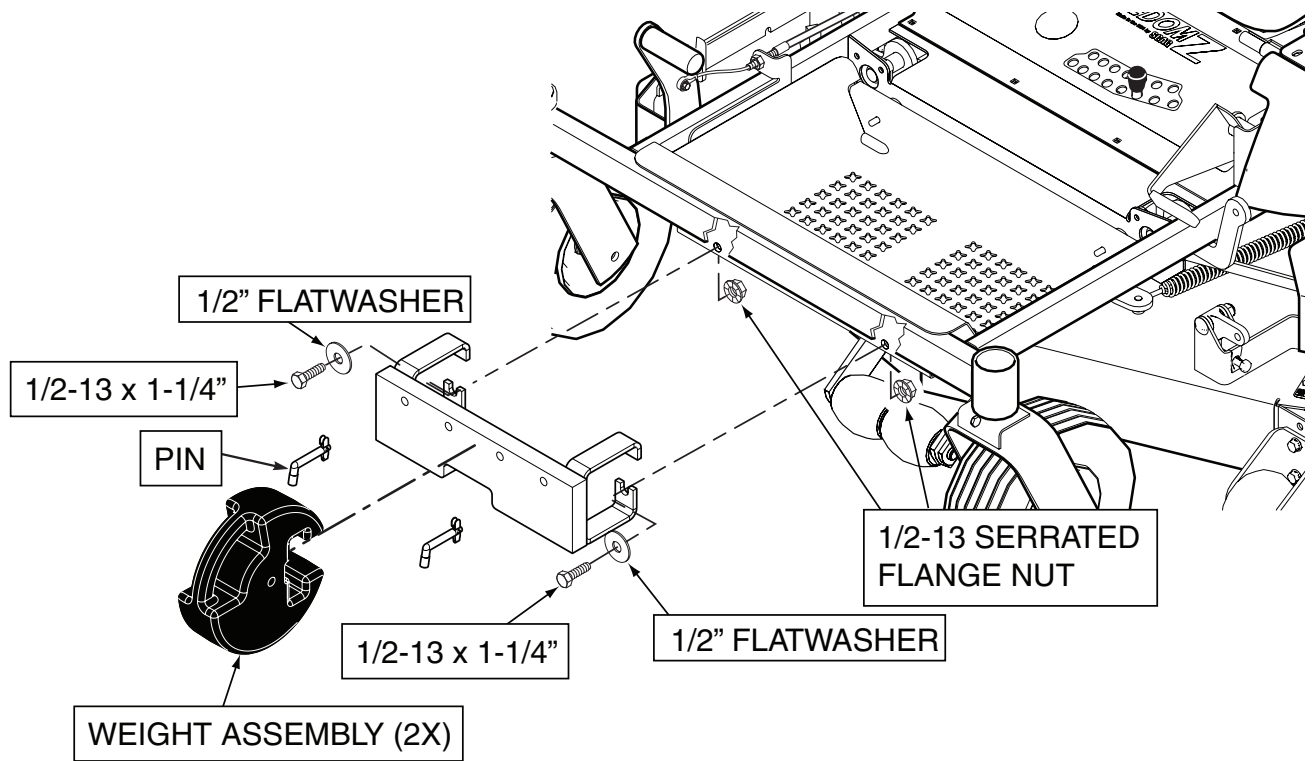


Figure 2-21. SFZ / SFZP / SPZ Front Weight Bar Installation

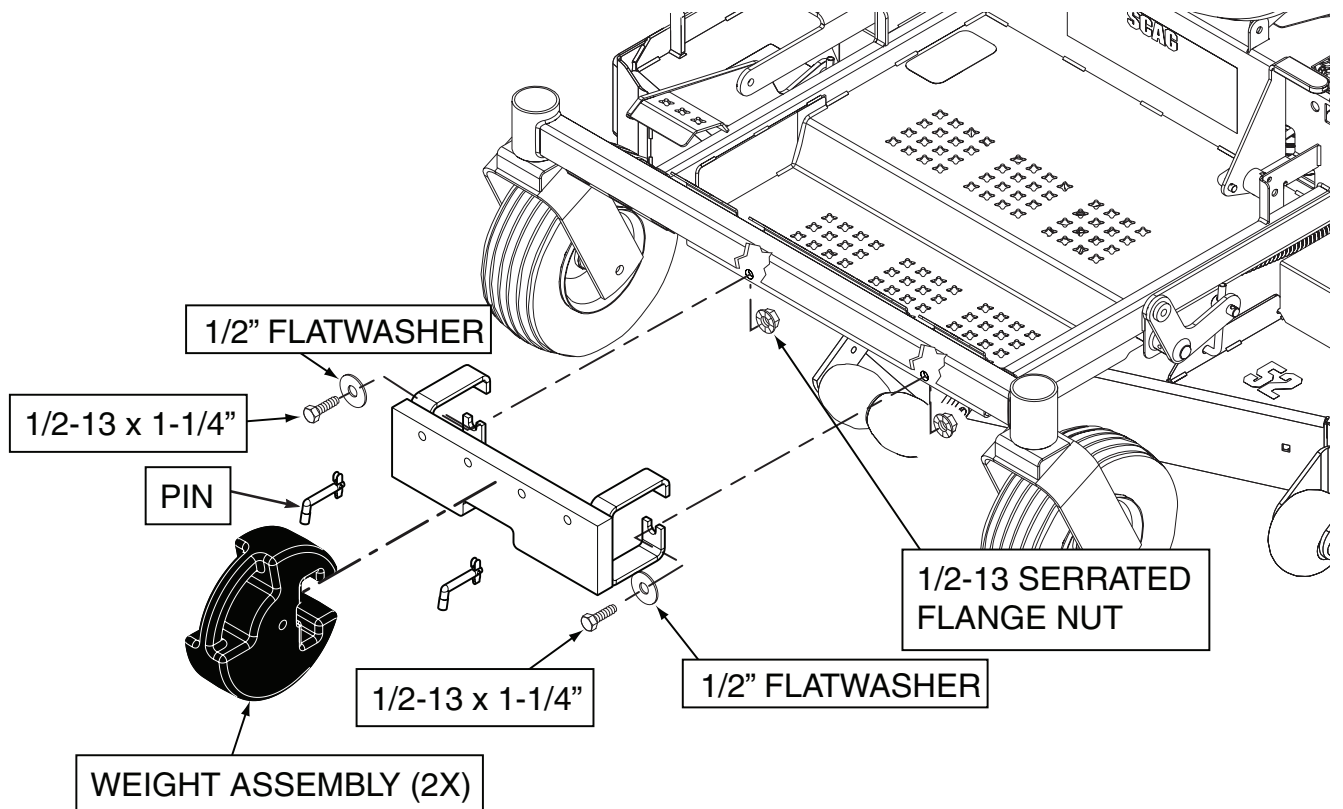


Figure 2-22. SZL Front Weight Bar Installation

3.1 GRASS CATCHER REMOVAL INSTRUCTIONS

Prepare the machine so there is easy and safe access to the work area. Park the machine on a flat, level surface and apply the parking brake. Remove the ignition key and disconnect the positive and negative cables from the battery. Maintain all safety related work procedures. Always wear hand and eye protection.

- NOTE -

For proper operation and best overall performance and dispersal of grass clippings while side discharging, the grass catcher baffles should be removed and the original cutter blades should be reinstalled.

1. Remove the rubber strap holding the adapter to the blower assembly and the large quick pin securing the blower to the discharge mounting bracket. See Figure 3-1.
2. Remove the mounting pin and large hair pin securing the discharge boot assembly to the cutter deck and remove the discharge boot assembly. See Figure 3-1.

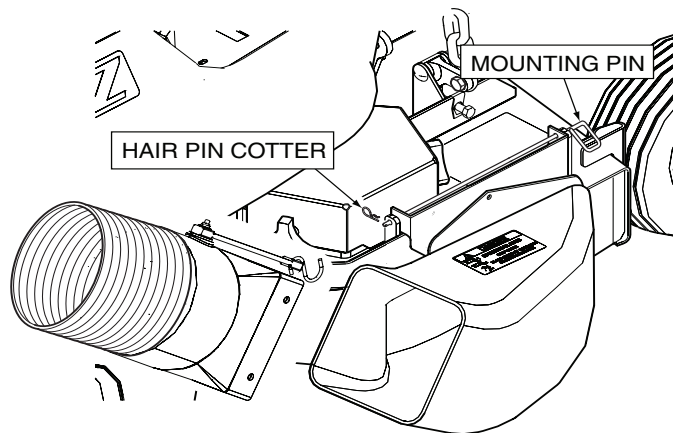


Figure 3-1. Removing the Discharge Boot

3. Remove the (2) snap pins holding the hood assembly to the mounting brackets on the rear of the machine. See Figure 4-2.
4. With help from an assistant, remove the hopper assembly.

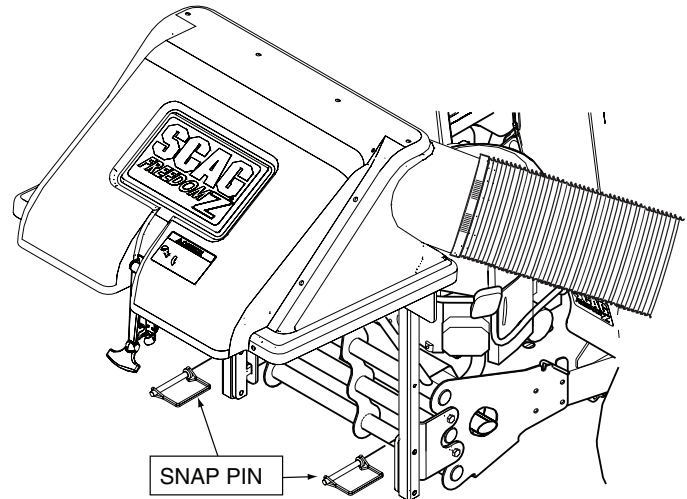


Figure 3-2. Removing the Hopper Assembly

5. Remove the high lift cutter blades and cross blade from the cutter deck. To remove the cutter blades from the spindles, install a 1" open-end wrench on to the flats provided on the spindle shaft (use optional Blade Buddy tool P/N 9212 to assist in securing the cutter blades). This will allow you to hold the spindle in place and prevent it from rotating as you remove the blade mounting bolt. Use a 15/16" box wrench or socket to remove the blade mounting bolt. See Figure 3-3. Be sure to retain the bolts, lockwashers and flatwashers as the hardware will be needed to install the cutter blades included with this grass catcher.

WARNING

Blades have a sharp edge. Wear proper eye protection and protective gloves or wrap blades with protective material when removing, sharpening and installing.

Section 3

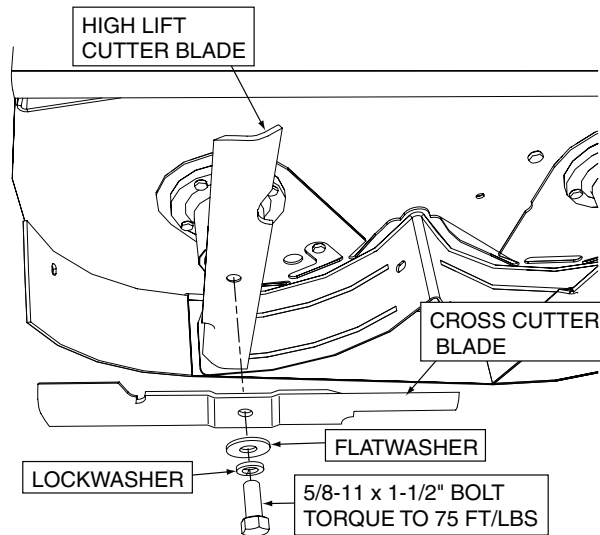


Figure 3-3. Remove High Lift Blades and Cross Blade

- Re-install the original cutter blades that were removed when installing this grass catcher and secure using the hardware removed. See Figure 3-4. Use optional Blade Buddy tool P/N 9212 to assist in securing the cutter blades.

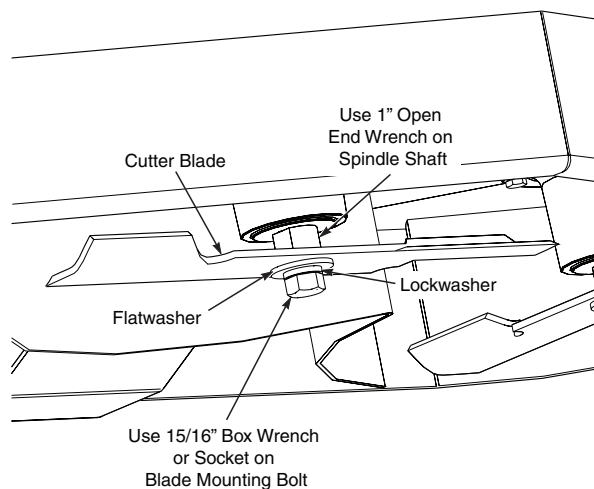


Figure 3-4. Cutter Blade Installation

- Re-install the cutter deck discharge chute and secure with the original hardware removed in Step 2 during installation of the grass catcher. See Figure 3-5.

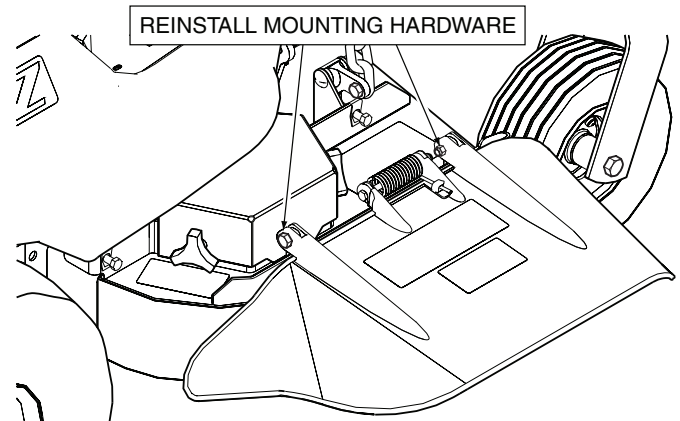


Figure 3-5. Reinstalling the Discharge Chute

- Lower the machine.
- Remove the weights from the weight support bar.

- NOTE -

The front weight support bar can remain on the machine when the grass catcher is removed.

- Reconnect the positive and negative cables to the battery.
- Operate and test the machine.

WARNING

Do not operate without discharge chute, mulch kit, or entire grass catcher installed.

MAINTENANCE**4.1 MAINTENANCE CHART - RECOMMENDED SERVICE INTERVALS**

Break-In (First 10)	HOURS						Procedure	Comments
	8	20	40	100	200	500		
X							Check all hardware for tightness	
X							Inspect hose and adapter	
X							Inspect fabric bags	
	X						*Check screen in hopper	Remove debris from screen
	X						Inspect hose and adapter	
	X						Inspect fabric bags	

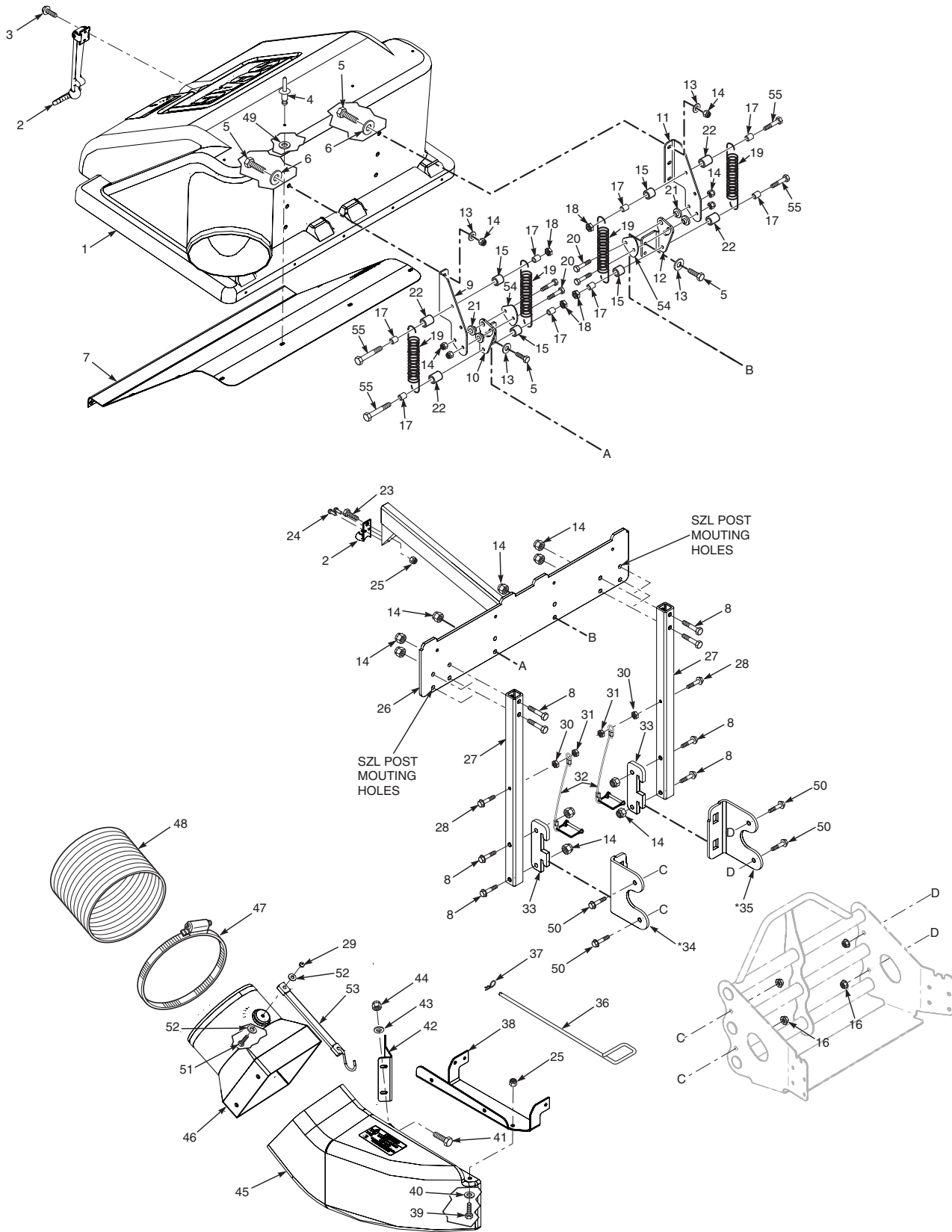
* Perform these maintenance procedures more frequently under extreme dusty or dirty conditions.

ILLUSTRATED PARTS LIST

4.1 SCAG APPROVED ATTACHMENTS AND ACCESSORIES.

Attachments and accessories manufactured by companies other than Scag Power Equipment are not approved for use on this machine.

GC-SZL/SFZ/SPZ HOOD AND DISCHARGE ASSEMBLY

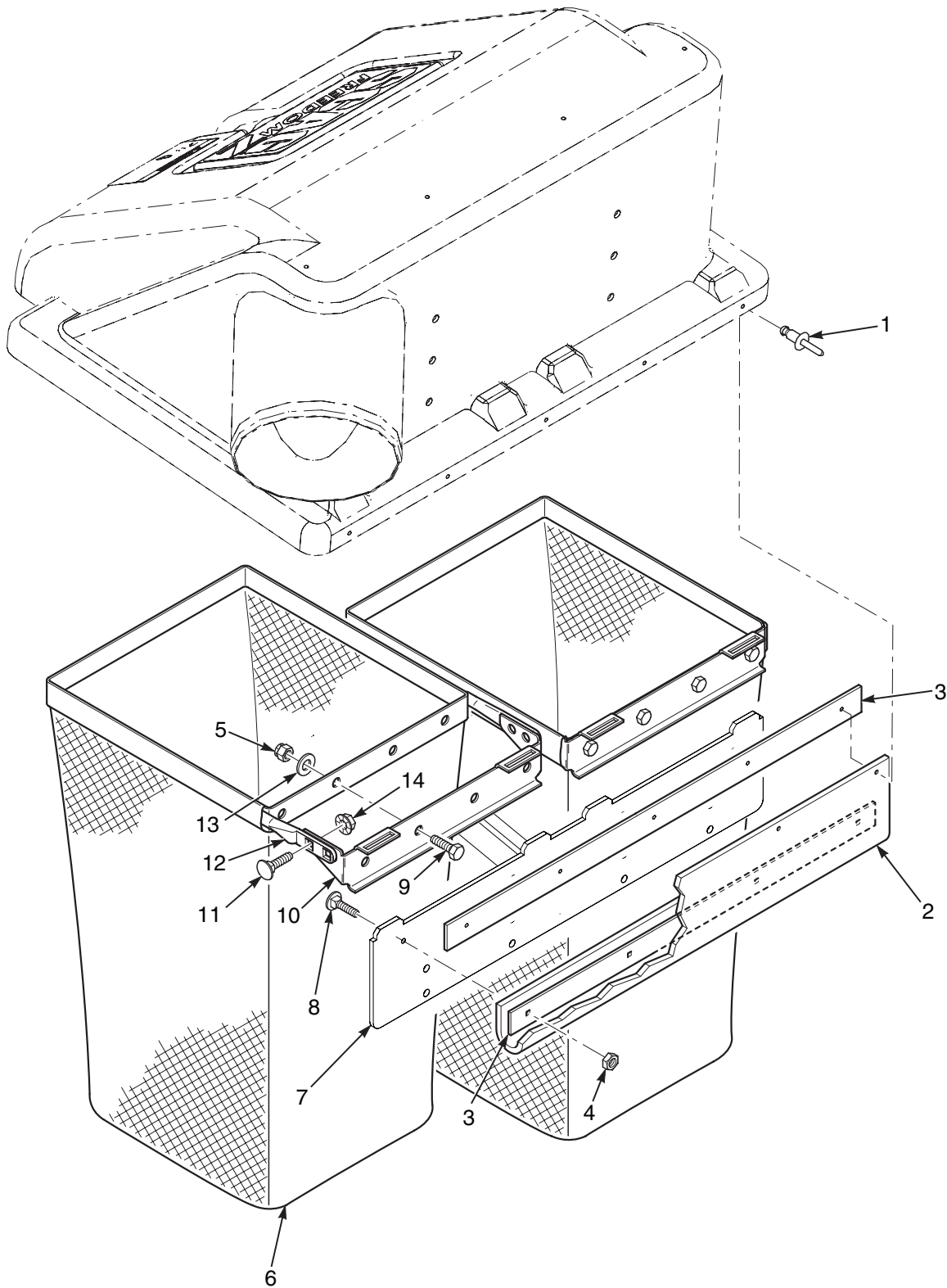


GC-SZL/SFZ/SPZ HOOD AND DISCHARGE ASSEMBLY

	Part No.	Qty	Description		Part No.	Qty	Description
1	462782	1	Hood Assembly (incl. screen & seal)	40	04040-04	8	Flatwasher, 5/16-.344 x .688 x .065
2	482409	1	Latch	41	04001-14	2	Bolt, Hex Head 1/4-20 x 1"
3	04010-25	2	Screw, #10-32 x 3/4"	42	424754	1	Baffle, Boot Deflector - 36" Deck
	04041-09	2	Flatwasher, 3/8-.193 x .496 x .048		424735	1	Baffle, Boot Deflector - 42" & 48" Deck
	04021-01	2	Nut, Elastic Stop #10-32		424754	1	Baffle, Boot Deflector - 52" Deck
4	04090-02	8	Pop Rivet, 3/16 x .652		424348	1	Baffle, Boot Deflector - 61" Deck
5	04001-32	10	Bolt, Hex Head 3/8-16 x 1-1/4"	43	04040-14	2	Flatwasher, 1/4-.312 x .750 x .065
6	04041-11	6	Flatwasher, 3/8-.406 x 1.5 x 7 Ga.	44	04021-08	2	Nut, Elastic Stop 1/4-20
7	424731	1	Screen, GC Hood	45	462048	1	Boot Assembly
8	04001-46	10	Bolt, Hex Head 3/8-16 x 2-1/4"	46	461723	1	Adapter w/Strap
9	425831	1	Hinge, Upper RH	47	48136-02	2	Clamp, 8.62" Max Dia.
10	425876	1	Hinge, Lower RH	48	48135-13	1	Hose, 8" x 56"
11	425830	1	Hinge, Upper LH	49	04041-19	8	Flatwasher, 3/16-.196 x .469 x .048
12	425875	1	Hinge, Lower LH	50	04001-19	4	Bolt, Hex Head 3/8-16 x 1"
13	04041-01	4	Flatwasher, 3/8-.391 x .938 x .105	51	04001-59	1	Bolt, Hex Head 1/4-20 x 1-1/4"
14	04021-09	18	Nut, Elastic Stop 3/8-16	52	04040-14	2	Flatwasher, 1/4-.312 x .750 x .065
15	43277	4	Spacer	53	48137-04	1	Rubber Strap
16	04019-04	10	Nut, Serrated Flange 3/8-16	54	425832	2	Guard, Hinge
17	43212	8	Sleeve	55	04001-30	4	Bolt, Hex Head 3/8-16 x 4"
18	04021-05	4	Nut, Center Lock 3/8-16				
19	482304	4	Spring				
20	04001-20	4	Bolt, Hex Head 3/8-16 x 1-1/2"				
21	43546	4	Bushing, Hopper Pivot				
22	43886	4	Spacer				
23	04001-08	1	Bolt, Hex Head 5/16-18 x 3/4"				
24	04090-03	2	Pop Rivet, 3/16 x .402				
25	04021-10	5	Nut, Elastic Stop 5/16-18				
26	452675	1	Frame Weldment, Bag Support				
27	424750	2	Tube, Grass Catcher Mount				
28	04001-03	2	Bolt, Hex Head 1/4-20 x 2"				
29	04021-08	1	Nut, Elastic Stop 1/4-20				
30	04019-02	2	Nut, Serrated Flange 1/4-20				
31	04021-02	2	Nut, Center Lock 1/4-20				
32	485859	2	Snap Pin Assembly w/Lanyard				
33	424752	2	Latch, GC				
*34	424751	2	Bracket, GC Mount RH				
*35	424749	2	Bracket, GC Mount LH				
36	44166	1	Latch Pin, GC Chute				
37	04062-02	1	Hair Pin Cotter				
38	424915	1	Bracket, GC Boot - 36" Deck				
	424734	1	Bracket, GC Boot - 42", 48", 52" & 61" Deck				
39	04001-09	4	Bolt, Hex Head 5/16-18 x 1"				

* GC Mounting Brackets for the SZL36 & SZL42, p/n 424751 are mounted on the LH side of the machine and p/n 424749 are mounted on the RH side of the machine.

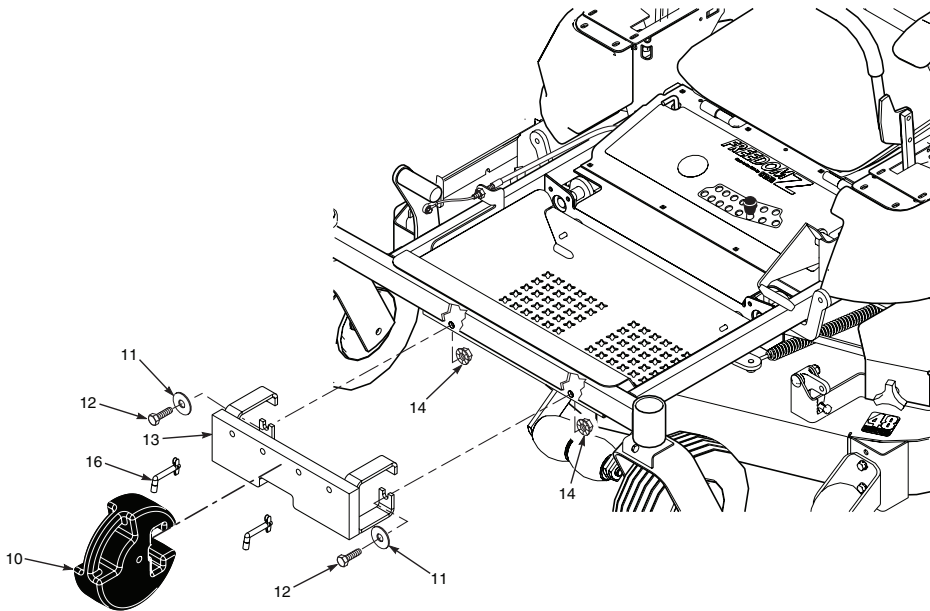
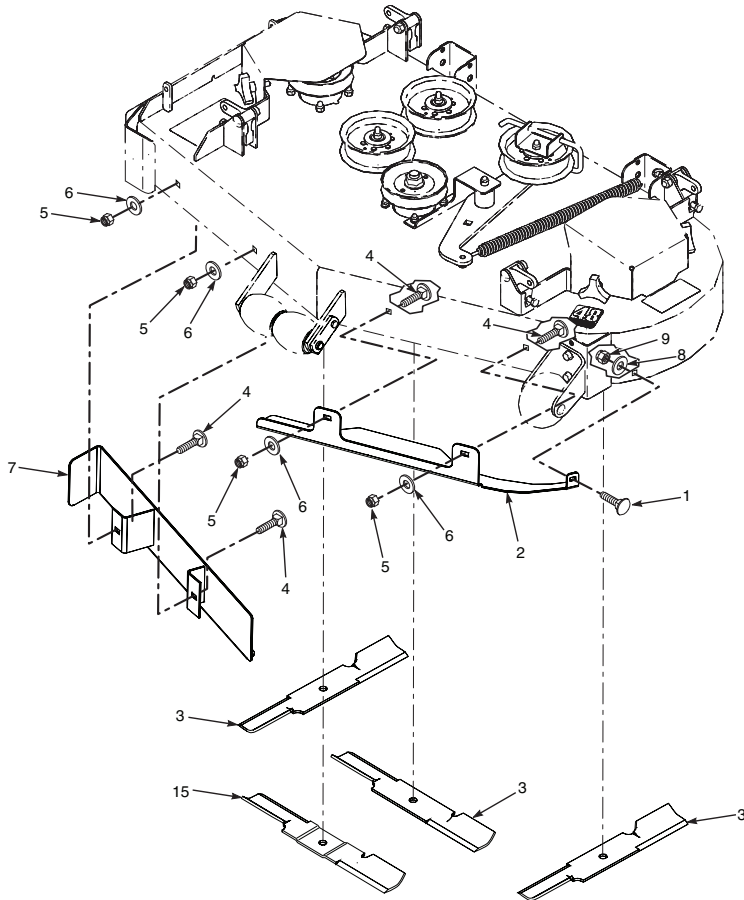
GC-SZL/SFZ/SPZ BAG SUPPORT COMPONENTS



GC-SZL/SFZ/SPZ BAG SUPPORT COMPONENTS

Ref. No.	Part No.	Qty	Description
1	04090-02	5	Pop Rivet, 3/16 x .652
2	483589	1	Seal, GC Hood
3	424753	1	Retainer, Seal
4	04021-02	4	Nut, Center Lock 1/4-20
5	04021-10	8	Nut, Elastic Stop 5/16-18
6	462966	2	Bag Assembly
7	451959	1	Frame Weldment, Bag Support
8	04001-01	4	Bolt, Hex Head 1/4-20 x 3/4"
9	04001-08	8	Bolt, Hex Head 5/16-18 x 3/4"
10	423198	2	Mount, Bag Frame Tube
11	04003-12	8	Bolt, Carriage 5/16-18 x 3/4"
12	423197	2	Tube, Bag Support
13	04040-15	8	Flatwasher, 5/16-.375 x .875 x .083
14	04019-03	8	Nut, Serrated Flange 5/16-18

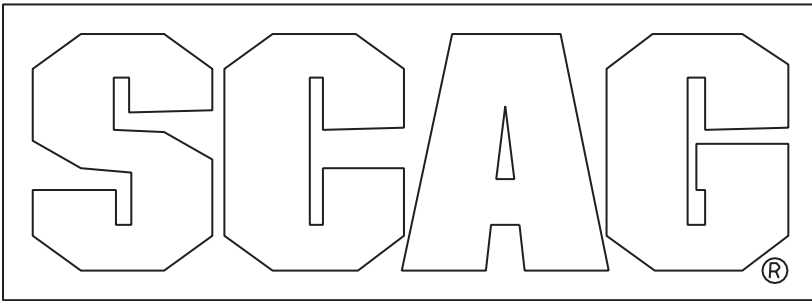
GC-SZL/SFZ/SPZ CUTTER DECK AND FRONT WEIGHT COMPONENTS



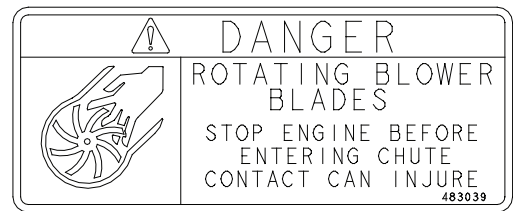
GC-SZL/SFZ/SPZ CUTTER DECK AND FRONT WEIGHT COMPONENTS

Ref. No.	Part No.	Qty	Description
1	04003-12	1	Bolt, Carriage 5/16-18 x 3/4"
2	428853	1	Baffle, LH - 42" Deck
	424743	1	Baffle, LH - 48" Deck
	424745	1	Baffle, LH - 52" Deck
	425267	1	Baffle, LH - 61" Deck
3	481711	2	Cutter Blade, High Lift (36" Deck)
	487117	3	Cutter Blade, High Lift (42" Deck)
	481710	3	Cutter Blade, High Lift (48" Deck)
	481711	3	Cutter Blade, High Lift (52" Deck)
	481712	3	Cutter Blade, High Lift (61" Deck)
4	04003-23	4	Bolt, Carriage 3/8-16 x 1"
5	04021-09	4	Nut, Elastic Stop 3/8-16
6	04040-13	4	Flatwasher, 3/8-.438 x 1.00 x .083
7	452003	1	Baffle Weldment, RH - 36" Deck
	453317		Baffle Weldment, RH - 42" Deck
	451956	1	Baffle Weldment, RH - 48" Deck
	451958	1	Baffle Weldment, RH - 52" Deck
	452108	1	Baffle, Weldment, RH - 61" Deck
8	04040-04	1	Flatwasher, 5/16-.344 x .688 x .065
9	04021-04	1	Nut, Center Lock 5/16-18
10	484758	2	Weight Assembly
11	04040-13	2	Flatwasher, 1/2-.562 x 1.375 x .109
12	04001-70	2	Bolt, Hex Head 1/2-13 x 1-1/4"
13	452419	1	Support Weldment, Weight Mounting
14	04019-06	2	Nut, Serrated Flange 1/2-13
15	483655	1	Cutter Blade, Cross - 36" & 52" Deck
	487118		Cutter Blade, Cross - 42" Deck
	483654	1	Cutter Blade, Cross - 48" Deck
	484021	1	Cutter Blade, Cross - 61" Deck
16	485172	2	Pin, Weight Retention

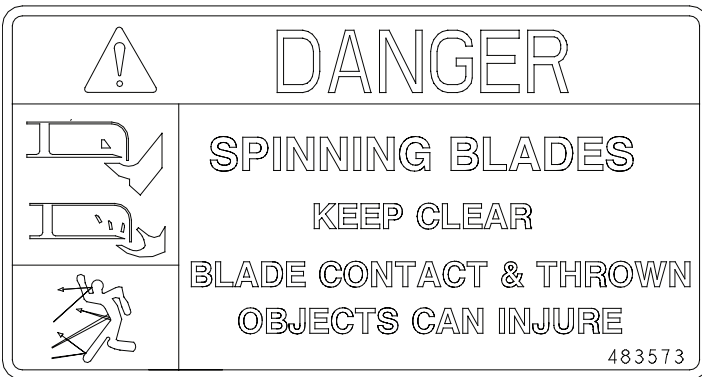
GC DECALS



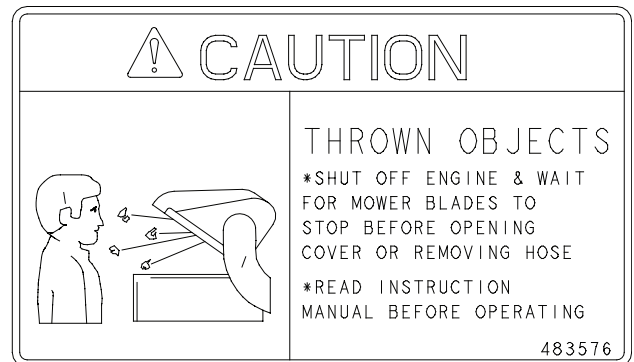
Molded In



483039



Molded In



Molded In

LIMITED WARRANTY- SZL / SFZ / SPZ GRASS CATCHER ACCESSORY

Any part of the Scag SZL / SFZ / SPZ Grass Catcher Accessory manufactured by Scag and found, in the reasonable judgment of Scag, to be defective in material or workmanship, will be repaired or replaced by an Authorized Scag Service Dealer without charge for parts and labor.

The Scag SZL / SFZ / SPZ Grass Catcher Accessory, including any defective part, must be returned to an Authorized Scag Service Dealer within the warranty period. The expense of delivering the accessory to the dealer for warranty work and the expense of returning it back to the owner after repair or replacement will be paid for by the owner. Scag's responsibility in respect to claims is limited to making the required repairs or replacements, and no claim of breach of warranty shall be cause for cancellation or rescission of the contract of sale of any Scag machine. Proof of purchase will be required by the dealer to substantiate any warranty claim. All warranty work must be performed by an Authorized Scag Service Dealer.

This warranty is limited to 90 days for commercial purposes or any other income-producing purpose including rental use for SFZ, SFZP and SPZ models only, or 1 year for homeowner use (all models) from the date of original retail purchase.

This warranty does not cover any SZL / SFZ / SPZ Grass Catcher Accessory that has been subject to misuse, neglect, negligence, or accident, or that has been operated in any way contrary to the operating instructions as specified in the Operator's Manual. The warranty does not apply to any damage to the accessory that is the result of improper maintenance, or to any accessory or parts that have not been assembled or installed as specified in the Operator's Manual.

The warranty does not cover any SZL / SFZ / SPZ Grass Catcher Accessory that has been altered or modified. In addition, the warranty does not extend to repairs made necessary by normal wear, or by the use of parts or accessories which, in the reasonable judgment of Scag, are either incompatible with the Scag mower or adversely affect its operation, performance or durability. This warranty does not cover engines and electric starters, which are warranted separately by their manufacturer.

Scag Power Equipment reserves the right to change or improve the design of any accessory without assuming any obligation to modify any accessory previously manufactured.

All other implied warranties are limited in duration to the warranty period stated above. Accordingly, any such implied warranties including merchantability, fitness for a particular purpose, or otherwise, are disclaimed in their entirety after the expiration of the appropriate warranty period. Scag's obligation under this warranty is strictly and exclusively limited to the repair or replacement of defective parts and Scag does not assume or authorize anyone to assume for them any other obligation. Some states do not allow limitations on how long an implied warranty lasts, so the above limitation may not apply to you.

Scag assumes no responsibility for incidental, consequential or other damages including, but not limited to, expense for gasoline, oil, expense of delivering the machine to an Authorized Scag Service Dealer and expense of returning it back to the owner, mechanic's travel time, telephone or telegram charges, rental of a like product during the time warranty repairs are being performed, travel, loss or damage to personal property, loss of revenue, loss of use of the mower, loss of time, or inconvenience. Some states do not allow the exclusion or limitation of incidental or consequential damages, so the above limitation or exclusion may not apply to you.

This warranty gives you specific legal rights, and you may also have other rights which vary from state to state.