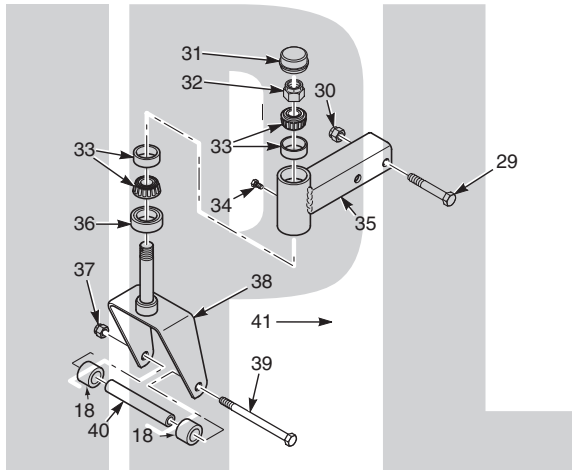


SCAG[®]

POWER EQUIPMENT



ILLUSTRATED PARTS MANUAL



FABRIC 2-BAG GRASS CATCHER

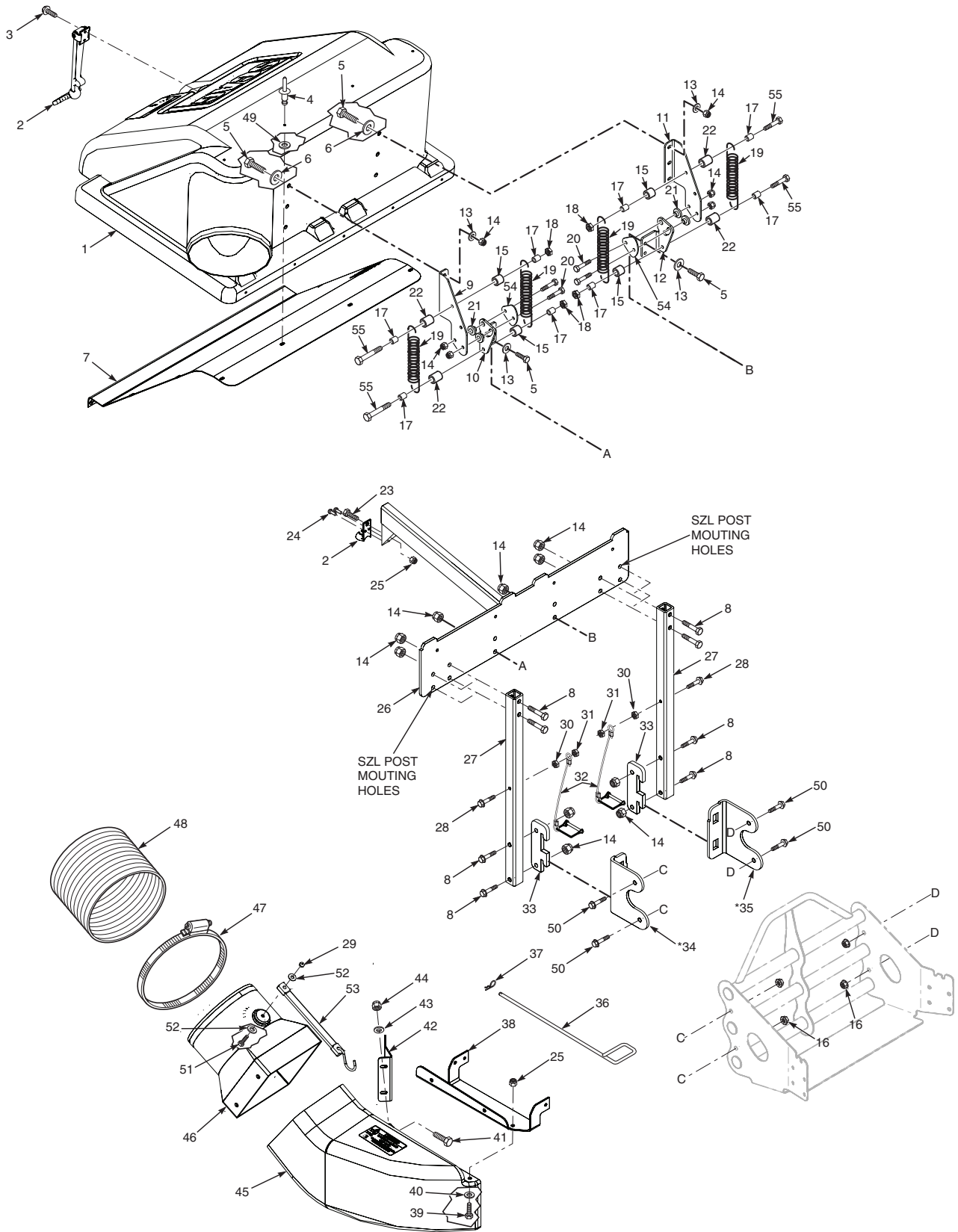
Model GC-SZL/SFZ/SPZ

**THIS MANUAL CONTAINS THE ILLUSTRATED PARTS LIST FOR MODELS:
GC-SZL/SFZ/SPZ with a serial number of P3100001 to P3199999**

Table of Contents

GC-SZL/SFZ/SPZ HOOD AND DISCHARGE ASSEMBLY	2
GC-SZL/SFZ/SPZ BAG SUPPORT COMPONENTS	4
GC-SZL/SFZ/SPZ CUTTER DECK AND FRONT WEIGHT COMPONENTS	6
GC DECALS.....	8

GC-SZL/SFZ/SPZ HOOD AND DISCHARGE ASSEMBLY



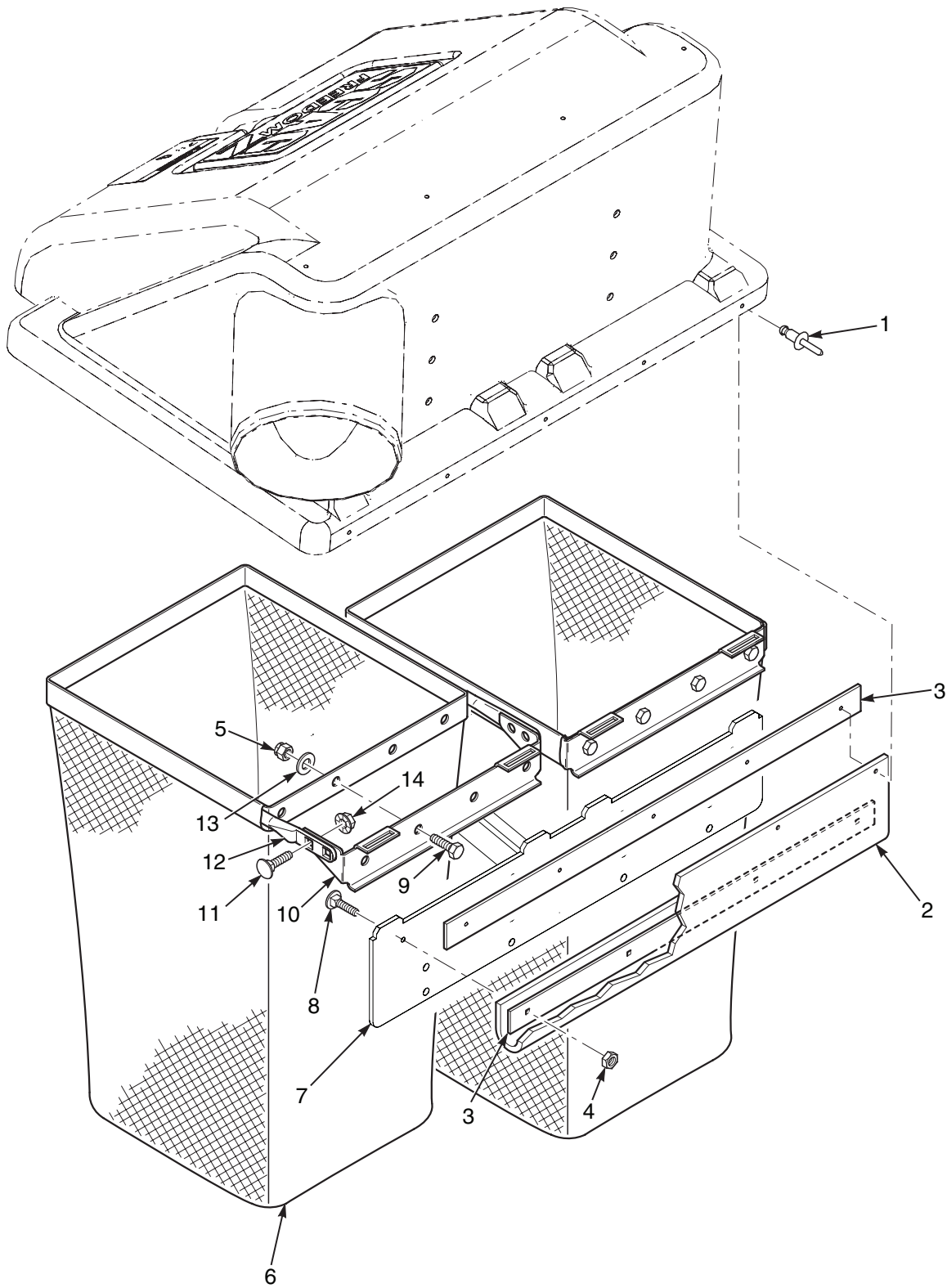
GC-SZL/SFZ/SPZ HOOD AND DISCHARGE ASSEMBLY

	Part No.	Qty	Description
1	462782	1	Hood Assembly (incl. screen & seal)
2	482409	1	Latch
3	04010-25	2	Screw, #10-32 x 3/4"
	04041-09	2	Flatwasher, 3/8-.193 x .496 x .048
	04021-01	2	Nut, Elastic Stop #10-32
4	04090-02	8	Pop Rivet, 3/16 x .652
5	04001-32	10	Bolt, Hex Head 3/8-16 x 1-1/4"
6	04041-11	6	Flatwasher, 3/8-.406 x 1.5 x 7 Ga.
7	424731	1	Screen, GC Hood
8	04001-46	10	Bolt, Hex Head 3/8-16 x 2-1/4"
9	425831	1	Hinge, Upper RH
10	425876	1	Hinge, Lower RH
11	425830	1	Hinge, Upper LH
12	425875	1	Hinge, Lower LH
13	04041-01	4	Flatwasher, 3/8-.391 x .938 x .105
14	04021-09	18	Nut, Elastic Stop 3/8-16
15	43277	4	Spacer
16	04019-04	10	Nut, Serrated Flange 3/8-16
17	43212	8	Sleeve
18	04021-05	4	Nut, Center Lock 3/8-16
19	482304	4	Spring
20	04001-20	4	Bolt, Hex Head 3/8-16 x 1-1/2"
21	43546	4	Bushing, Hopper Pivot
22	43886	4	Spacer
23	04001-08	1	Bolt, Hex Head 5/16-18 x 3/4"
24	04090-03	2	Pop Rivet, 3/16 x .402
25	04021-10	5	Nut, Elastic Stop 5/16-18
26	452675	1	Frame Weldment, Bag Support
27	424750	2	Tube, Grass Catcher Mount
28	04001-03	2	Bolt, Hex Head 1/4-20 x 2"
29	04021-08	1	Nut, Elastic Stop 1/4-20
30	04019-02	2	Nut, Serrated Flange 1/4-20
31	04021-02	2	Nut, Center Lock 1/4-20
32	485859	2	Snap Pin Assembly w/Lanyard
33	424752	2	Latch, GC
*34	424751	2	Bracket, GC Mount RH
*35	424749	2	Bracket, GC Mount LH
36	44166	1	Latch Pin, GC Chute
37	04062-02	1	Hair Pin Cotter
38	424915	1	Bracket, GC Boot - 36" Deck
	424734	1	Bracket, GC Boot - 48", 52" & 61" Deck
39	04001-09	4	Bolt, Hex Head 5/16-18 x 1"

	Part No.	Qty	Description
40	04040-04	8	Flatwasher, 5/16-.344 x .688 x .065
41	04001-14	2	Bolt, Hex Head 1/4-20 x 1"
42	424754	1	Baffle, Boot Deflector - 36" Deck
	424735	1	Baffle, Boot Deflector - 48" Deck
	424754	1	Baffle, Boot Deflector - 52" Deck
	424348	1	Baffle, Boot Deflector - 61" Deck
43	04040-14	2	Flatwasher, 1/4-.312 x .750 x .065
44	04021-08	2	Nut, Elastic Stop 1/4-20
45	462048	1	Boot Assembly
46	461723	1	Adapter w/Strap
47	48136-02	2	Clamp, 8.62" Max Dia.
48	48135-13	1	Hose, 8" x 56"
49	04041-19	8	Flatwasher, 3/16-.196 x .469 x .048
50	04001-19	4	Bolt, Hex Head 3/8-16 x 1"
51	04001-59	1	Bolt, Hex Head 1/4-20 x 1-1/4"
52	04040-14	2	Flatwasher, 1/4-.312 x .750 x .065
53	48137-04	1	Rubber Strap
54	425832	2	Guard, Hinge
55	04001-30	4	Bolt, Hex Head 3/8-16 x 4"

* GC Mounting Brackets for the SZL36, p/n 424751 are mounted on the LH side of the machine and p/n 424749 are mounted on the RH side of the machine.

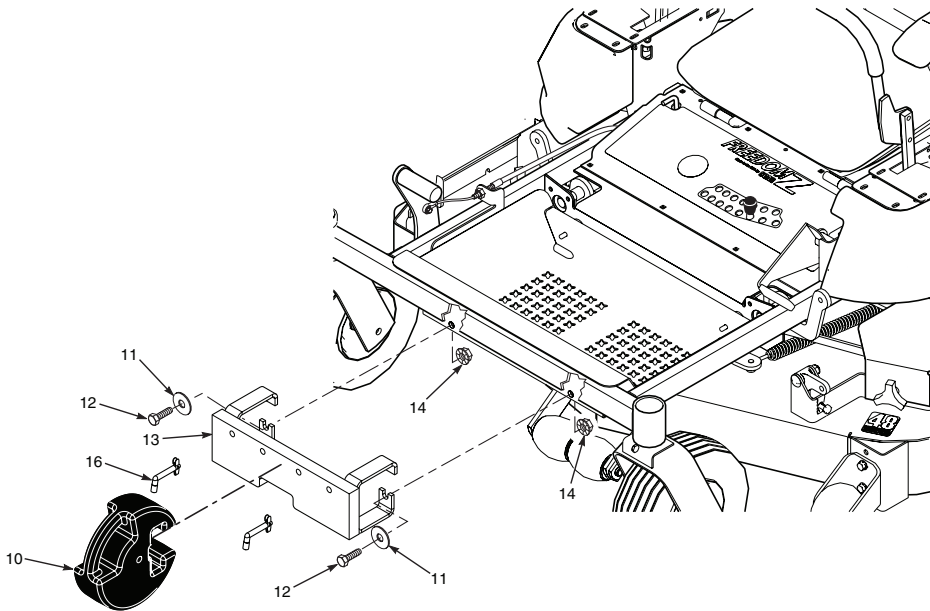
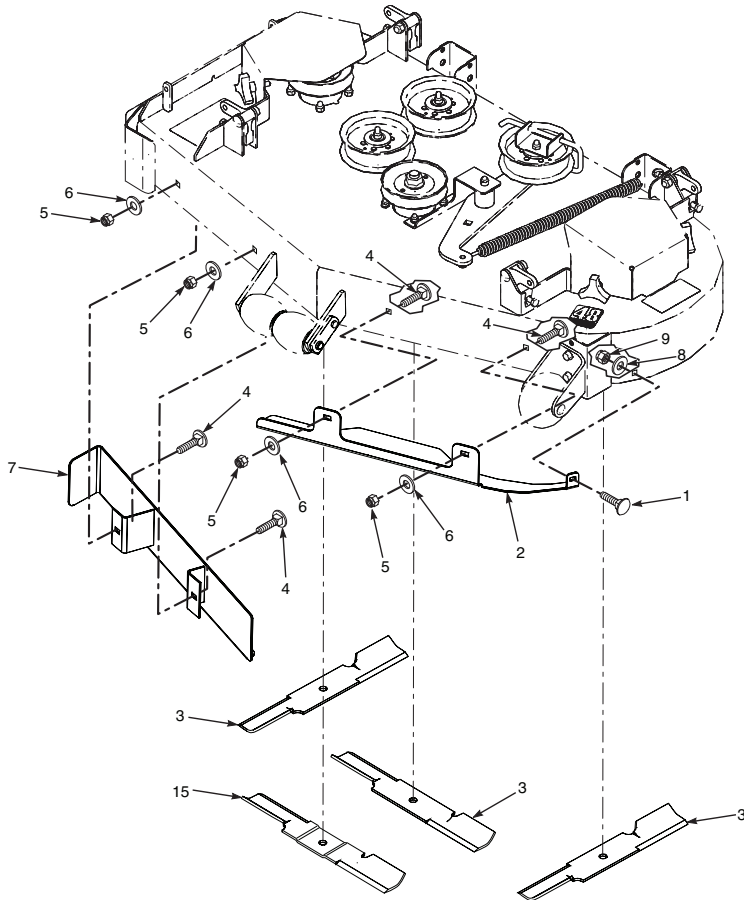
GC-SZL/SFZ/SPZ BAG SUPPORT COMPONENTS



GC-SZL/SFZ/SPZ BAG SUPPORT COMPONENTS

Ref. No.	Part No.	Qty	Description
1	04090-02	5	Pop Rivet, 3/16 x .652
2	483589	1	Seal, GC Hood
3	424753	1	Retainer, Seal
4	04021-02	4	Nut, Center Lock 1/4-20
5	04021-10	8	Nut, Elastic Stop 5/16-18
6	462966	2	Bag Assembly
7	451959	1	Frame Weldment, Bag Support
8	04001-01	4	Bolt, Hex Head 1/4-20 x 3/4"
9	04001-08	8	Bolt, Hex Head 5/16-18 x 3/4"
10	423198	2	Mount, Bag Frame Tube
11	04003-12	8	Bolt, Carriage 5/16-18 x 3/4"
12	423197	2	Tube, Bag Support
13	04040-15	8	Flatwasher, 5/16-.375 x .875 x .083
14	04019-03	8	Nut, Serrated Flange 5/16-18

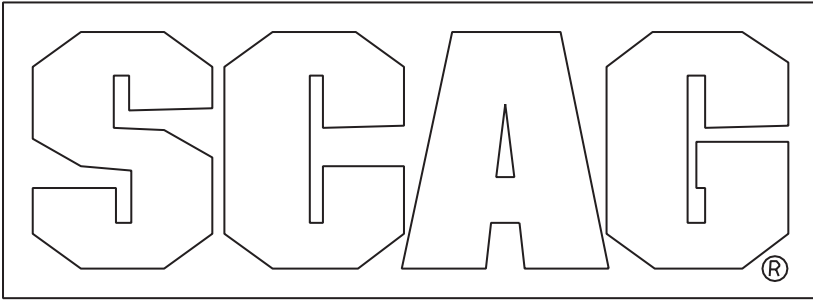
GC-SZL/SFZ/SPZ CUTTER DECK AND FRONT WEIGHT COMPONENTS



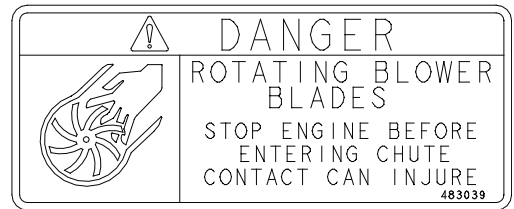
GC-SZL/SFZ/SPZ CUTTER DECK AND FRONT WEIGHT COMPONENTS

Ref. No.	Part No.	Qty	Description
1	04003-12	1	Bolt, Carriage 5/16-18 x 3/4"
2	424743	1	Baffle, LH - 48" Deck
	424745	1	Baffle, LH - 52" Deck
	425267	1	Baffle, LH - 61" Deck
3	481711	2	Cutter Blade, High Lift (36" Deck)
	481710	3	Cutter Blade, High Lift (48" Deck)
	481711	3	Cutter Blade, High Lift (52" Deck)
	481712	3	Cutter Blade, High Lift (61" Deck)
4	04003-23	4	Bolt, Carriage 3/8-16 x 1"
5	04021-09	4	Nut, Elastic Stop 3/8-16
6	04040-13	4	Flatwasher, 3/8-.438 x 1.00 x .083
7	452003	1	Baffle Weldment, RH - 36" Deck
	451956	1	Baffle Weldment, RH - 48" Deck
	451958	1	Baffle Weldment, RH - 52" Deck
	452108	1	Baffle, Weldment, RH - 61" Deck
8	04040-04	1	Flatwasher, 5/16-.344 x .688 x .065
9	04021-04	1	Nut, Center Lock 5/16-18
10	484758	2	Weight Assembly
11	04040-13	2	Flatwasher, 1/2-.562 x 1.375 x .109
12	04001-70	2	Bolt, Hex Head 1/2-13 x 1-1/4"
13	452419	1	Support Weldment, Weight Mounting
14	04019-06	2	Nut, Serrated Flange 1/2-13
15	483655	1	Cutter Blade, Cross - 36" & 52" Deck
	483654	1	Cutter Blade, Cross - 48" Deck
	484021	1	Cutter Blade, Cross - 61" Deck
16	485172	2	Pin, Weight Retention

GC DECALS



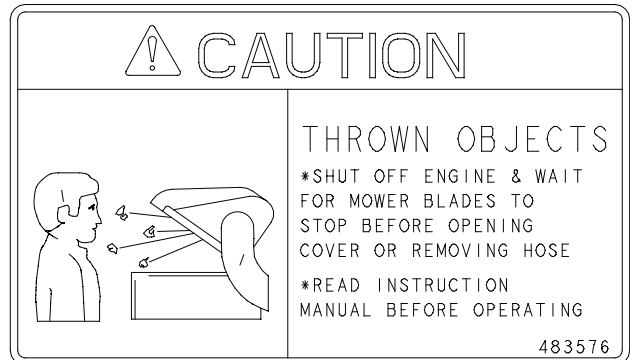
Molded In



483039



Molded In



Molded In