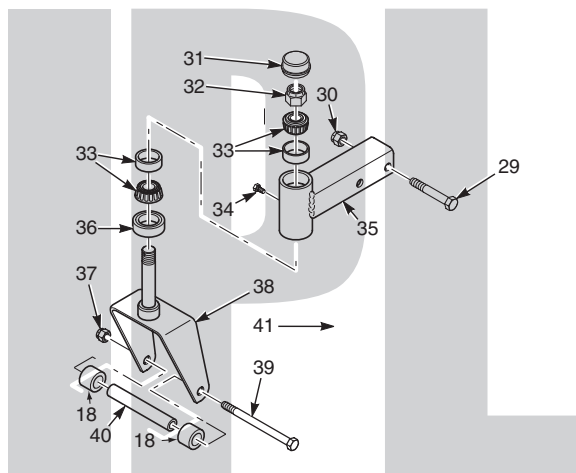


SCAG[®]

POWER EQUIPMENT



ILLUSTRATED PARTS MANUAL



SVRII GRASS CATCHER Model GC-VRII

THIS MANUAL CONTAINS THE ILLUSTRATED PARTS LIST FOR MODELS:
GC-VRII with a serial number of P6200001 to P6299999

Table of Contents

ILLUSTRATED PARTS LIST

GC-VR11 BLOWER HOUSING ASSEMBLY	4
GC-VR11 BLOWER MOUNTING COMPONENTS	6
GC-VR11 HOOD COMPONENTS	8
GC-VR11 BAG SUPPORT COMPONENTS.....	10
GC-VR11 SUPPORT FRAME COMPONENTS.....	12
GC-VR11 FRONT WEIGHT COMPONENTS	14
GC-VR11 DECALS.....	16

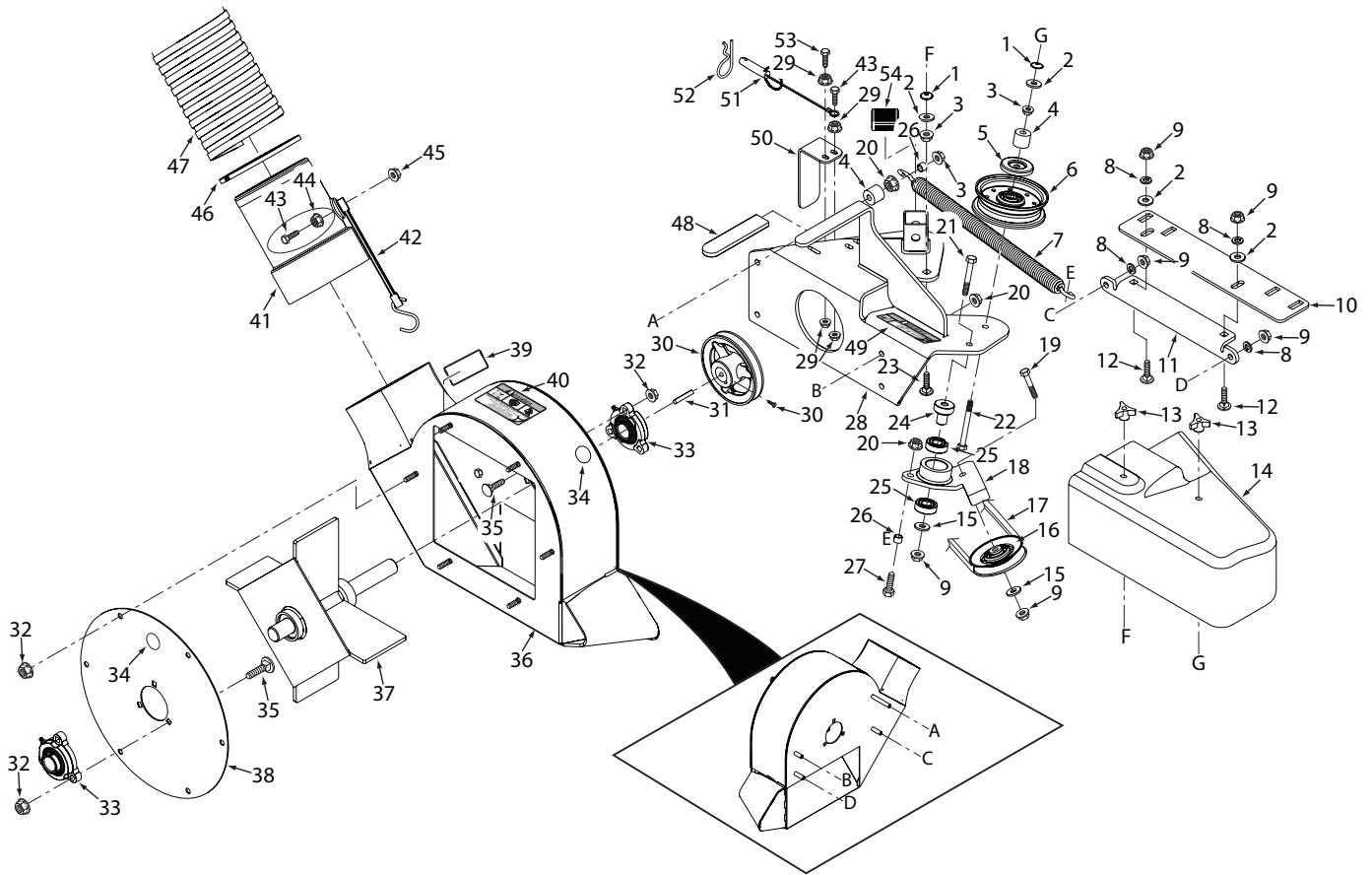
NOTES

ILLUSTRATED PARTS LIST

SCAG APPROVED ATTACHMENTS AND ACCESSORIES

Attachments and accessories manufactured by companies other than Scag Power Equipment are not approved for use on this machine.

GC-VRII BLOWER HOUSING ASSEMBLY

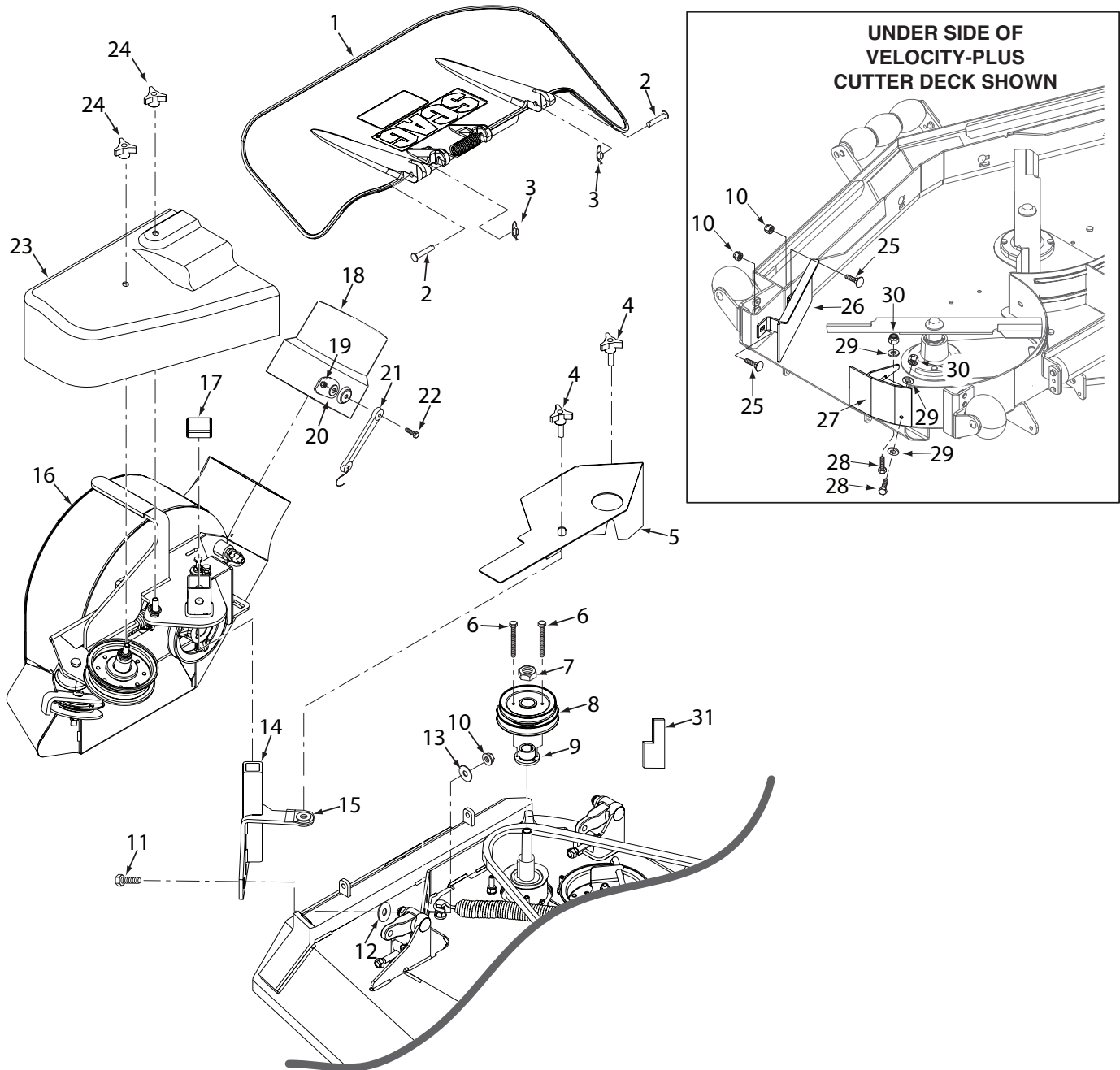


GC-VR II BLOWER HOUSING ASSEMBLY

Ref. No.	Part No.	Description
1	04024-02	Nut, Push-On - 3/8
2	04041-07	Washer, Flat, 3/8, .391 x .938 x .105
3	04021-05	Nut, Lock, Center Lock, 3/8-16
4	43277	Spacer, J-Pull Rod
5	424367	Dust Shield
6	483209	Pulley, 4" Idler
7	481522	Spring, Main Drive
8	04030-04	Washer, Lock, 3/8 Spring
9	04021-09	Nut, Lock, Elastic Stop, 3/8-16
10	427387	Plate, Blower Catch
11	423296	Plate, Catch Mounting
12	04003-11	Bolt, Carriage, 3/8-16 x 1 1/4"
13	04029-04	Wingnut, 3/8 Plastic - Small
14	486348	Belt Cover, 48GC-VR II
	486349	Belt Cover, 52GC-VR II
	486350	Belt Cover, 61GC-VR II
15	04043-04	Washer, Flat Hardened, 3/8, .391 x .938 x .105
16	483189	Pulley, 3.5 OD V-Idler
17	482379	Belt (48 and 52)
	483182	Belt (61)
18	493215	Idler Arm Assembly, 48/52GC-VR II (INCL. 9,15,16,17,19,20,25,26,27)
	493217	Idler Arm Assembly, 61GC-VR II (INCL. 9,15,16,17,19,20,25,26,27)
19	04001-45	Bolt, 3/8-16 x 2"
20	04019-04	Nut, Serrated Flange, 3/8-16
21	04001-46	Bolt, 3/8-16 x 2 1/4"
22	04001-81	Bolt, 3/8-16 x 3 1/2" Full Thread
23	04003-05	Bolt, Carriage, 3/8-16 x 1 1/2"
24	43575	Pivot, Idler - Pump
25	48224	Bearing, Ball, Neutral Ret.
26	43212	Sleeve, Hydro Linkage
27	04001-168	Bolt, 3/8-16 x 1 1/4" Grade 8
28	463182	Frame Weldment, Blower Mounting w/ Decal
29	04019-02	Nut, Serrated Flange, 1/4-20
30	482298	Pulley, 4 3/4" OD - 1" Bore (INCL. 04012-04 Setscrews)
31	04063-06	Key, 1/4 x 1/4 x 1 1/2"
32	04019-03	Nut, Serrated Flange, 5/16-18
33	483034	Bearing Assembly (INCL. Bearing Housing and Bearing)
34	484696	Decal, Grease Point
35	04003-04	Bolt, Carriage, 5/16-18 x 1"
36	461342	Blower Housing w/ Decal, GC
37	461795	Fan Weldment w/ Bearings (INCL 32,33,35)
38	421319	Cover, Blower Housing
39	483393	Decal, Rotating Blower
40	483391	Decal, Danger

Ref. No.	Part No.	Description
41	461387	Adapter, With Strap Assembly (INCL. 42,43,44,45)
42	48137-04	Rubber Strap 7 3/4"
43	04001-59	Bolt, 1/4-20 x 1 1/4"
44	04040-14	Washer, Flat 1/4, .312 x .750 x .065
45	04021-08	Nut, Lock, Elastic Stop, 1/4-20
46	48136-18	Clamp, Hose - 6" OD
47	48135-59	Hose, 6" x 36" Long
48	481428	Grip, Blower Gate Lever
49	483402	Decal, Belt Cover
50	427331	Belt Cover, Rear
51	04067-10	Pin, Ring .5 x 2 1/4"
52	04062-04	Hair Pin Cotter, .177 x 3 1/4"
53	04001-04	Bolt, 1/4-20 x 1 1/2"
54	482300	Cap, Square Vinyl

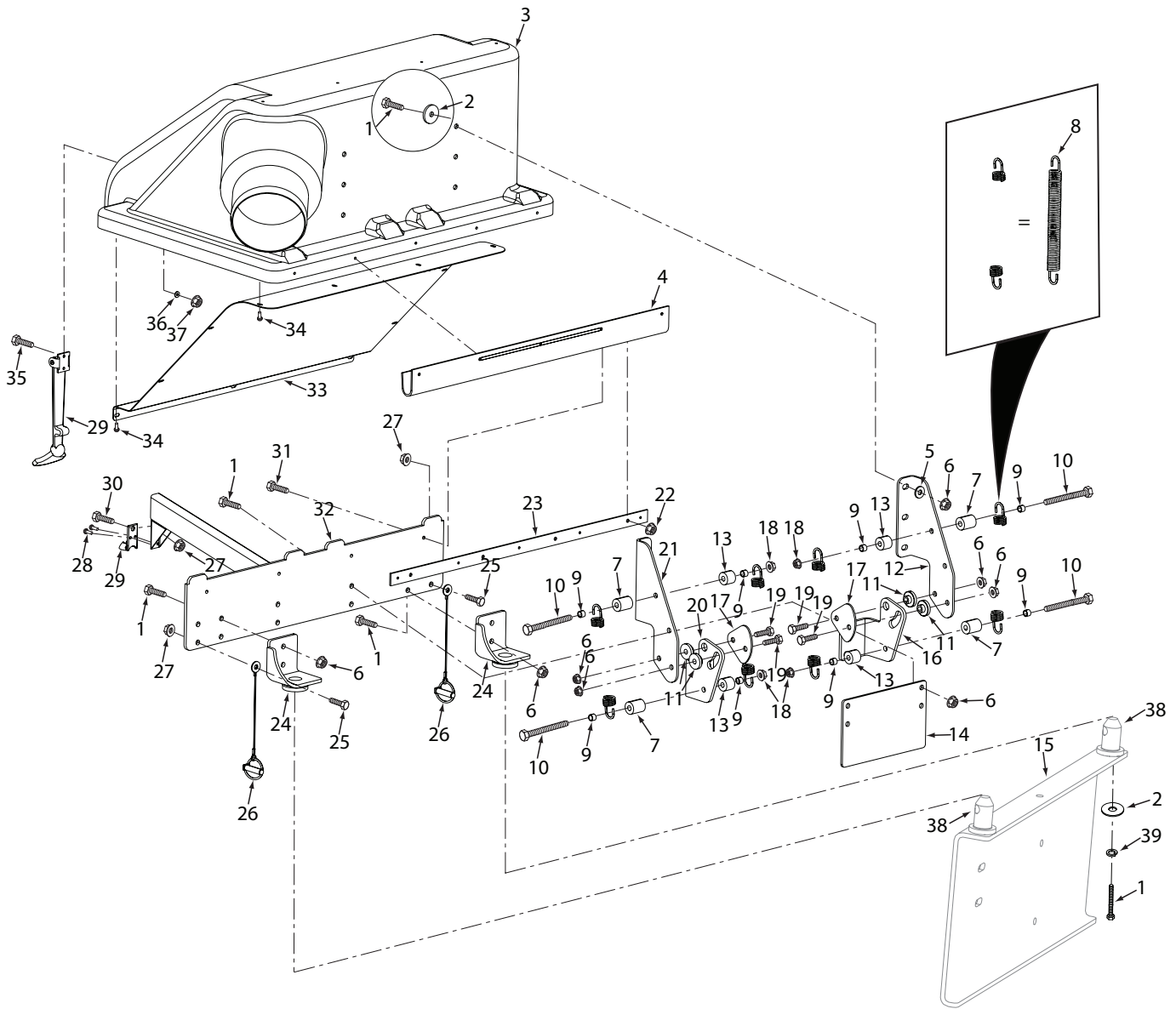
GC-VRII BLOWER MOUNTING COMPONENTS



GC-VR II BLOWER MOUNTING COMPONENTS

Ref. No.	Part No.	Description
1	461844	Discharge Chute Assy. - 48V
	461845	Discharge Chute Assy. - 52V
	461846	Discharge Chute Assy. - 61V
2	04064-15	Clevis Pin, 5/16 x 1½"
3	04069-03	Pin, Rue Cotter, 5/16 DIA
4	481625-01	Knob With Stud, 3/8-16 x 1¼"
5	427945	Belt Cover, 48GC-VR II
	427819	Belt Cover, 52GC-VR II
	427968	Belt Cover, 61GC-VR II
6	04001-225	Bolt, 1/4-20 x 2½" Full Thread
7	04020-09	Nut, 5/8-11
8	483283	Pulley, 5.13 OD - Double Groove (48)
	486143	Pulley, Double Groove (52)
	486144	Pulley, Double Groove (61)
9	48926	Hub, Tapered, 1.125
10	04021-09	Nut, Lock, Elastic Stop, 3/8-16
11	04001-32	Bolt, 3/8-16 x 1¼"
12	04041-07	Washer, Flat, 3/8, .391 x .938 x .105
13	04030-04	Washer, Lock, 3/8 Spring
14	463133	Mounting Post Assembly, Blower - 48GC-VR II (INCL.15)
	463129	Mounting Post Assembly, Blower - 52GC-VR II (INCL.15)
	463137	Mounting Post Assembly, Blower - 61GC-VR II (INCL.15)
15	04110-03	U-Nut, 3/8-16
16	493216	Blower Assembly, 48/52GC-VR II
	493218	Blower Assembly, 61GC-VR II
17	482300	Cap, Square Vinyl
18	461387	Adapter, With Strap Assembly (INCL.19,20,21,22)
19	04001-59	Bolt, 1/4-20 x 1¼"
20	04040-14	Washer, Flat, 1/4, .312 x .750 x .065
21	48137-04	Rubber Strap 7¾"
22	04021-08	Nut, Lock, Elastic Stop, 1/4-20
23	486348	Belt Cover, 48GC-VR II
	486349	Belt Cover, 52GC-VR II
	486350	Belt Cover, 61GC-VR II
24	04029-04	Wingnut, 3/8 Plastic - Small
25	04003-23	Bolt, Carriage, 3/8-16 x 1"
26	452383	Baffle Weldment, GC-48/52V Blower
	452384	Baffle Weldment, GC-61V Blower
27	424683	Turbo Baffle, Catcher - 48V
	424211	Turbo Baffle, Catcher - 52V
	424212	Turbo Baffle, Catcher - 61V
28	04001-09	Bolt, 5/16-18 x 1"
29	04040-15	Washer, Flat, 5/16, .375 x .875 x .083
30	04021-10	Nut, Lock, Elastic Stop, 5/16-18
31	428125	Pulley Height Tool

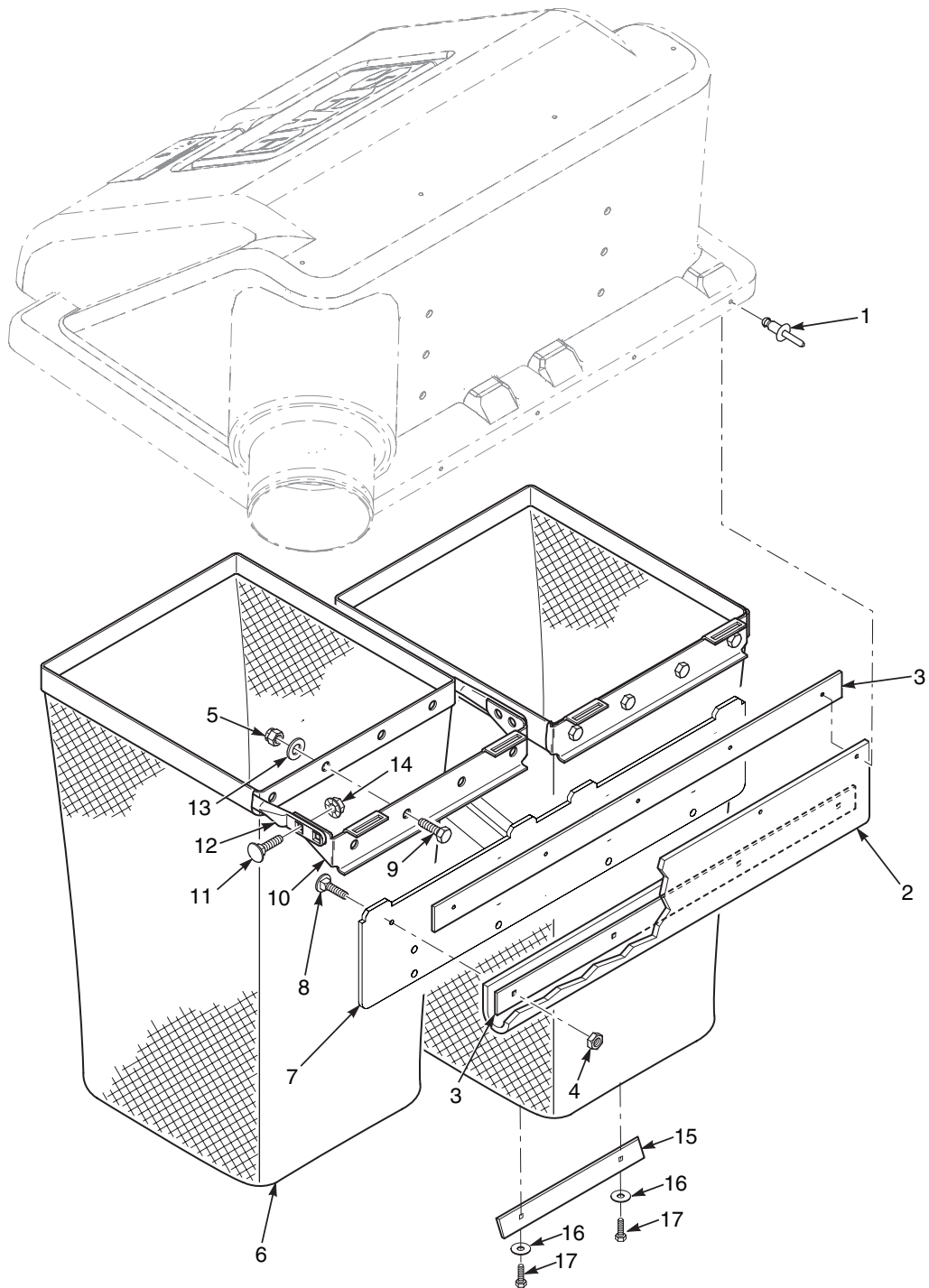
GC-VRII HOOD COMPONENTS



GC-VRII HOOD COMPONENTS

Ref. No.	Part No.	Description
1	04001-32	Bolt, 3/8-16 x 1 ¼"
2	04041-11	Washer, Flat 3/8, .406 x 1.5 x .1793
3	462932	Hood Assembly, Catcher With Decal (INCL. 485840,4,23,33,34,36)
4	483589	Hood, Seal
5	04041-07	Washer, Flat, 3/8, .391 x .938 x .1046
6	04021-09	Nut, Lock, Elastic Stop, 3/8-16
7	43886	Spacer, GC Hitch
8	482304	Spring, Hood Hinge
9	43212	Sleeve, Hydro Linkage
10	04001-30	Bolt, 3/8-16 x 4"
11	43546	Bushing, Hopper Pivot
12	425830	Hinge, Upper-LH
13	43277	Spacer, J Pull Rod
14	427840	Plate, Support
15	427790	Bag Support Plate
16	425875	Hinge, Lower-LH
17	425832	Guard, GC Hinge
18	04021-05	Nut, Lock, Center Lock, 3/8-16
19	04001-20	Bolt, 3/8-16 x 1 ½"
20	425876	Hinge, Lower-RH
21	425831	Hinge, Upper-RH
22	04021-02	Nut, Lock, Center Lock, 1/4-20
23	424753	Retainer, Seal
24	453016	Receiver, Weldment
25	04001-09	Bolt, 5/16-18 x 1"
26	483596	Quick Pin Assembly, With Lanyard
27	04021-10	Nut, Lock, Elastic Stop, 5/16-18
28	04090-03	Pop Rivet, 3/16 x .402
29	482409	Draw Latch (Hook and Strap)
30	04001-08	Bolt, 5/16-18 x 3/4"
31	04001-01	Bolt, 1/4-20 x 3/4"
32	452675	Frame Weldment, Bag Support
33	424731	Screen, GC Hood
34	04090-02	Pop Rivet, 3/16 x .652
35	04010-25	Machine Screws, #10-32 x 3/4"
36	04041-19	Washer, Flat, 3/16, .196 x .469 x .0478
37	04021-01	Nut, Lock, Elastic Stop, #10-32
38	43884	Pin, GC Locator
39	04030-04	Washer, Lock, 3/8 Spring

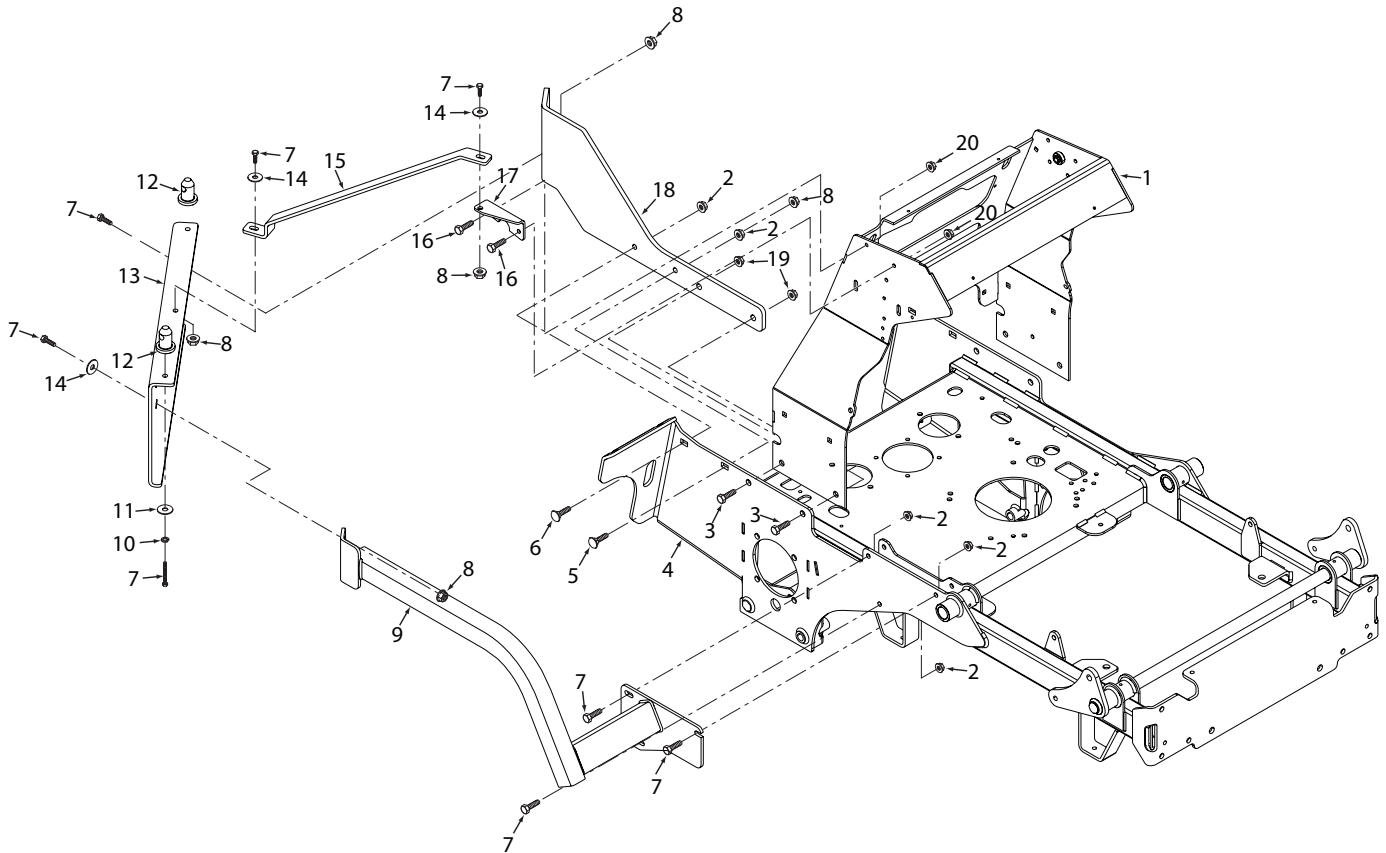
GC-VRII BAG SUPPORT COMPONENTS



GC-VRII BAG SUPPORT COMPONENTS

Ref. No.	Part No.	Description
1	04090-02	Pop Rivet, 3/16 x .652
2	483589	Seal, GC Hood
3	424753	Retainer, Seal
4	04021-02	Nut, Center Lock 1/4-20
5	04021-10	Nut, Elastic Stop 5/16-18
6	462966	Bag Assembly
7	452675	Frame Weldment, Bag Support
8	04001-01	Bolt, 1/4-20 x 3/4"
9	04001-08	Bolt, 5/16-18 x 3/4"
10	423198	Mount, Bag Frame Tube
11	04003-12	Bolt, Carriage 5/16-18 x 3/4"
12	423197	Tube, Bag Support
13	04040-15	Flatwasher, 5/16-.375 x .875 x .083
14	04019-03	Nut, Serrated Flange 5/16-18
15	427476	Handle
16	04041-11	Washer, Flat, 3/8, .406 x 1.5 x .1793
17	04001-10	Bolt, 5/16-18 x 1 1/4"

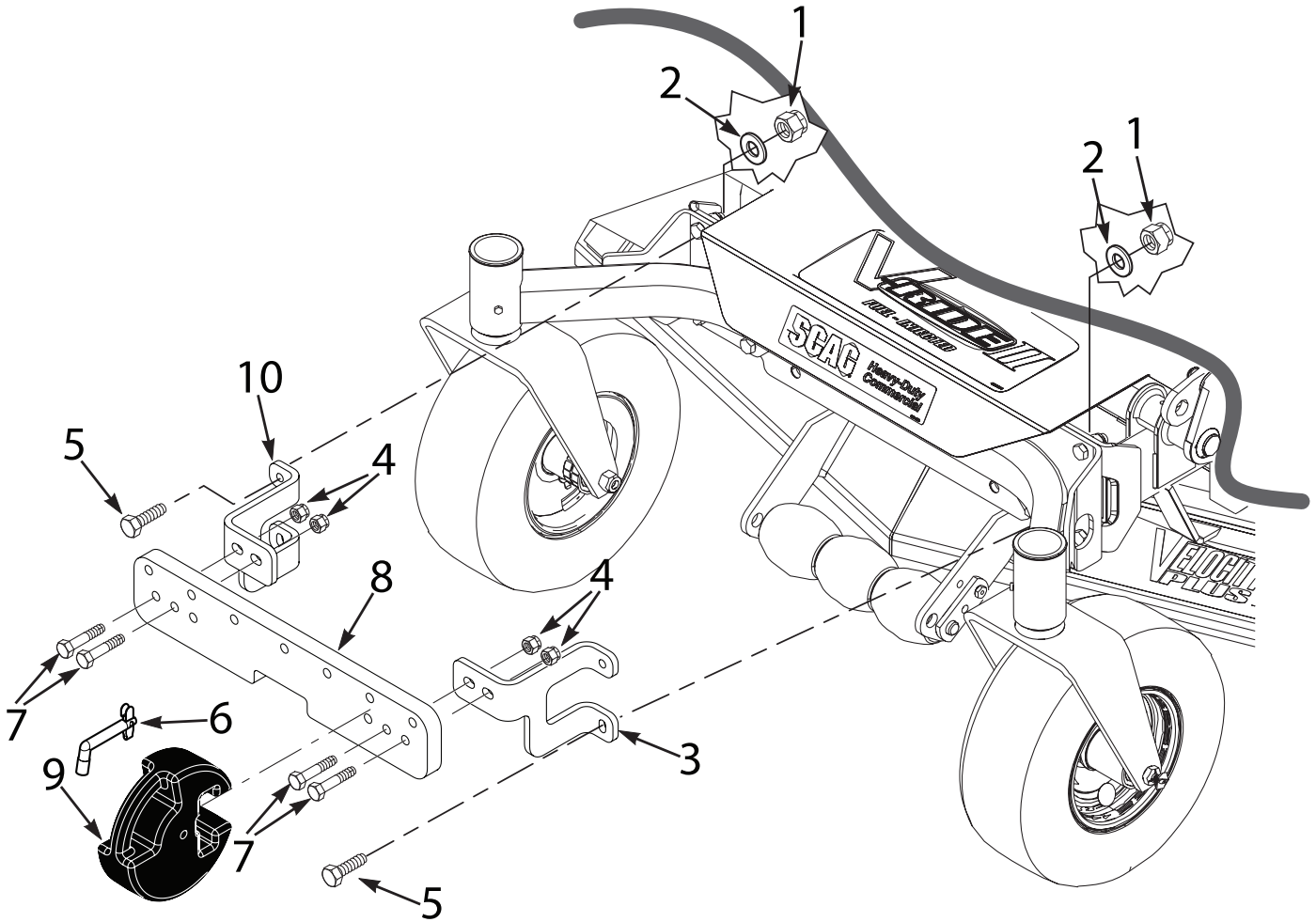
GC-VRII SUPPORT FRAME COMPONENTS



GC-VRII SUPPORT FRAME COMPONENTS

Ref. No.	Part No.	Description
1	452832	Handlebar Weldment, SVRII
2	04019-04	Nut, Serrated Flange, 3/8-16
3	04017-39	Bolt, Serrated Flange, 1/2-13 x 1¾"
4	452804	Mainframe Weldment, SVRII
5	04003-03	Bolt, Carriage, 3/8-16 x 2"
6	04003-22	Bolt, Carriage, 3/8-16 x 1¼"
7	04001-32	Bolt, 3/8-16 x 1¼"
8	04117-02	Nut, Lock, Elastic Stop With Flange, 3/8-16
9	452995	Bracket Weldment, GC Mounting
10	04030-04	Washer, Lock, 3/8 Spring
11	04041-11	Washer, Flat, 3/8, .406 x 1.5 x .1793
12	43884	Pin, GC-SCZ Locator
13	427790	Bag Support, Plate
14	04041-07	Washer, Flat, 3/8, .391 x .938 x .1046
15	427791	Upper Support Bracket
16	04001-09	Bolt, 5/16-18 x 1"
17	427792	Mounting Bracket, Upper
18	427806	GC Mounting Bracket, LH
19	04019-06	Nut, Serrated Flange, 1/2-13
20	04019-03	Nut, Serrated Flange, 5/16-18

GC-VRII FRONT WEIGHT COMPONENTS



GC-VRII FRONT WEIGHT COMPONENTS

Ref. No.	Part No.	Description
1	04021-11	Nut, Lock, elastic Stop, 7/16-14
2	04030-05	Washer, Lock, 7/16 Spring
3	427851	Mounting Bracket, Weight Bar - LH
4	04117-04	Nut, Lock, elastic Stop With Flange, 1/2-13
5	04001-117	Bolt, 7/16-14 x 1¾"
6	485172	Pin, Weight Retention
7	04001-153	Bolt, 1/2-13 x 2¼"
8	426093	Weight Bar
9	484758	GC Weight
10	427852	Mounting Bracket, Weight Bar - RH

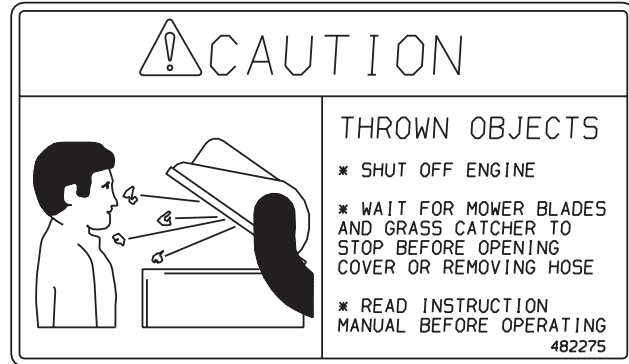
***Weights Required**

Model	Qty.
SVRII 48/52/61	1

GC-VRII DECALS



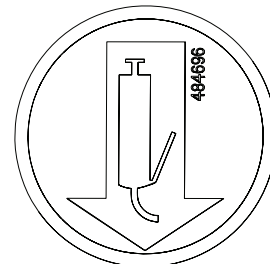
483402



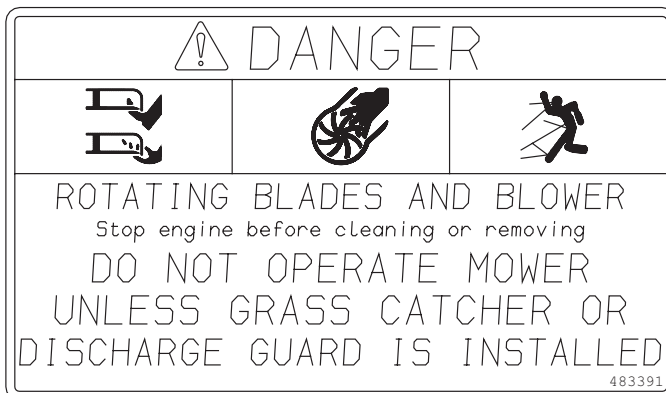
482275



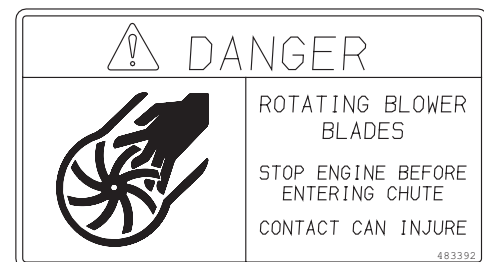
482733



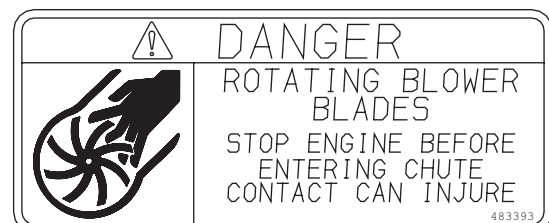
484696



483391



483039



483393

SCAG POWER EQUIPMENT

SERVICE INFORMATION SHEET

SVR11 Grass Catcher Height Alignment Tools

This information sheet is included to help with the installation of the GC-VR11 pulley (step 4 of the Cutter Deck and Blower Components Assembly Instructions). The pulley is to be installed 3" from the top of the deck support plate to the center of the groove of the bottom pulley. The height alignment tools has been included to increase the accuracy of the installation.

The height alignment tools will be used to support the pulley at the appropriate height while tightening the pulley to the hub. See Figure 1.

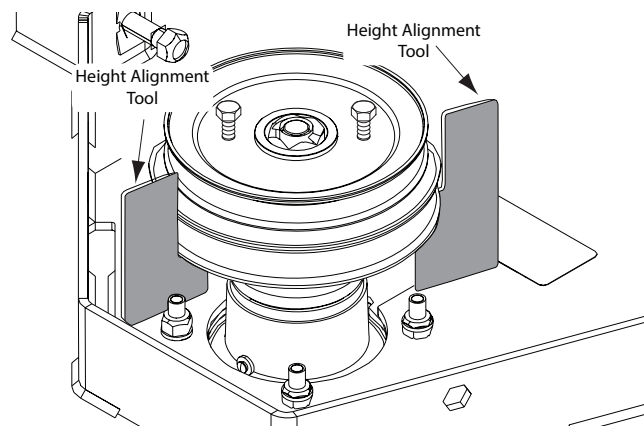


Figure 1 - Height Tools In Use

The height alignment tools may "push out" as the pulley is tightened onto the hub, this is normal.

After the pulley is installed remove the height alignment tools and proceed with the remaining steps.