

Table of Contents

| | |
|---|----|
| SCAG APPROVED ATTACHMENTS AND ACCESSORIES | 2 |
| GC-VR11 BLOWER HOUSING ASSEMBLY | 4 |
| GC-VR11 BLOWER MOUNTING COMPONENTS | 6 |
| GC-VR11 HOOD COMPONENTS | 8 |
| GC-VR11 BAG SUPPORT COMPONENTS | 10 |
| GC-VR11 SUPPORT FRAME COMPONENTS..... | 12 |
| GC-VR11 FRONT WEIGHT COMPONENTS | 14 |
| GC-VR11 DECALS..... | 16 |

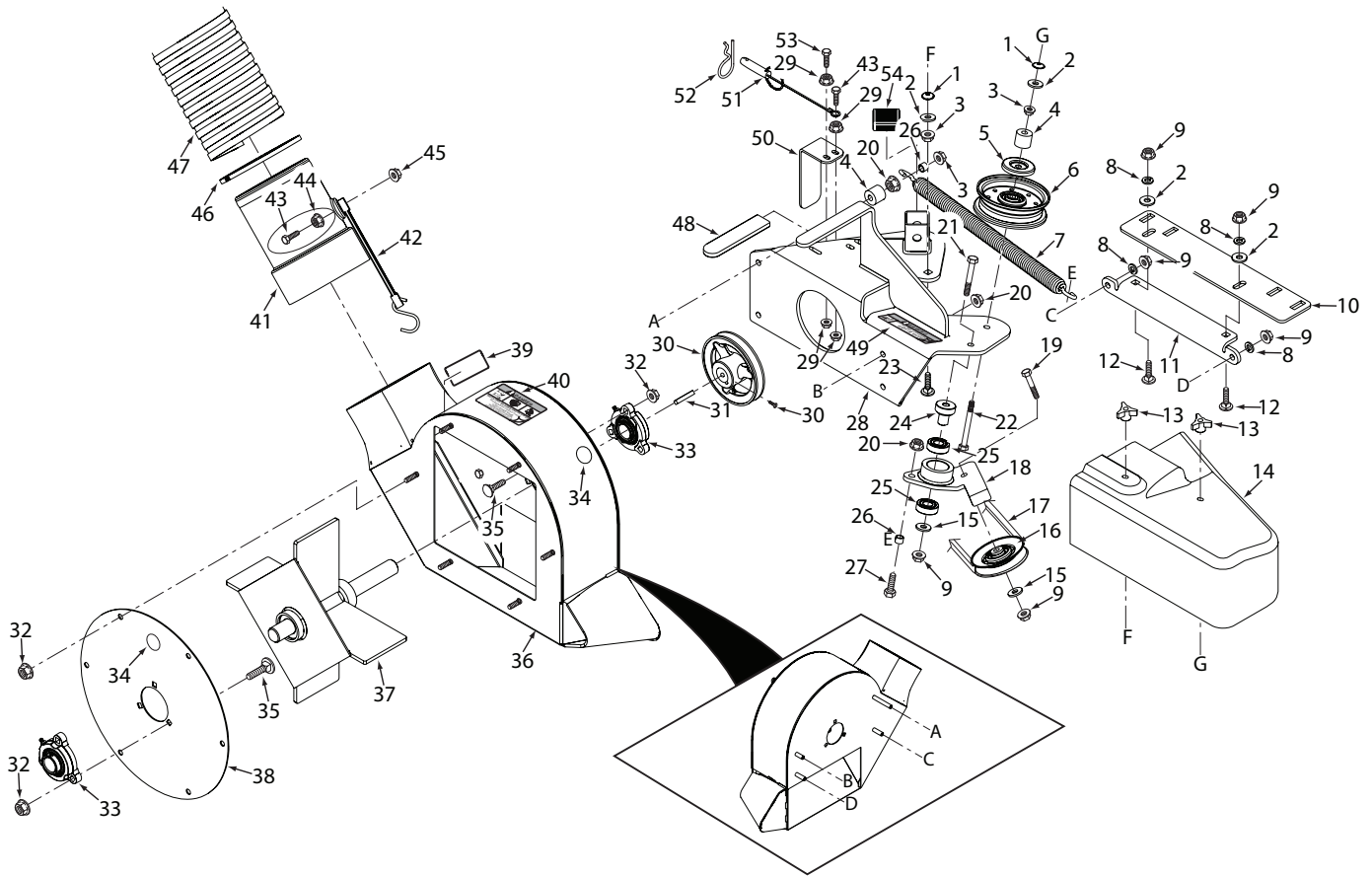
ILLUSTRATED PARTS LIST

5.1 SCAG APPROVED ATTACHMENTS AND ACCESSORIES

Attachments and accessories manufactured by companies other than Scag Power Equipment are not approved for use on this machine.

NOTES

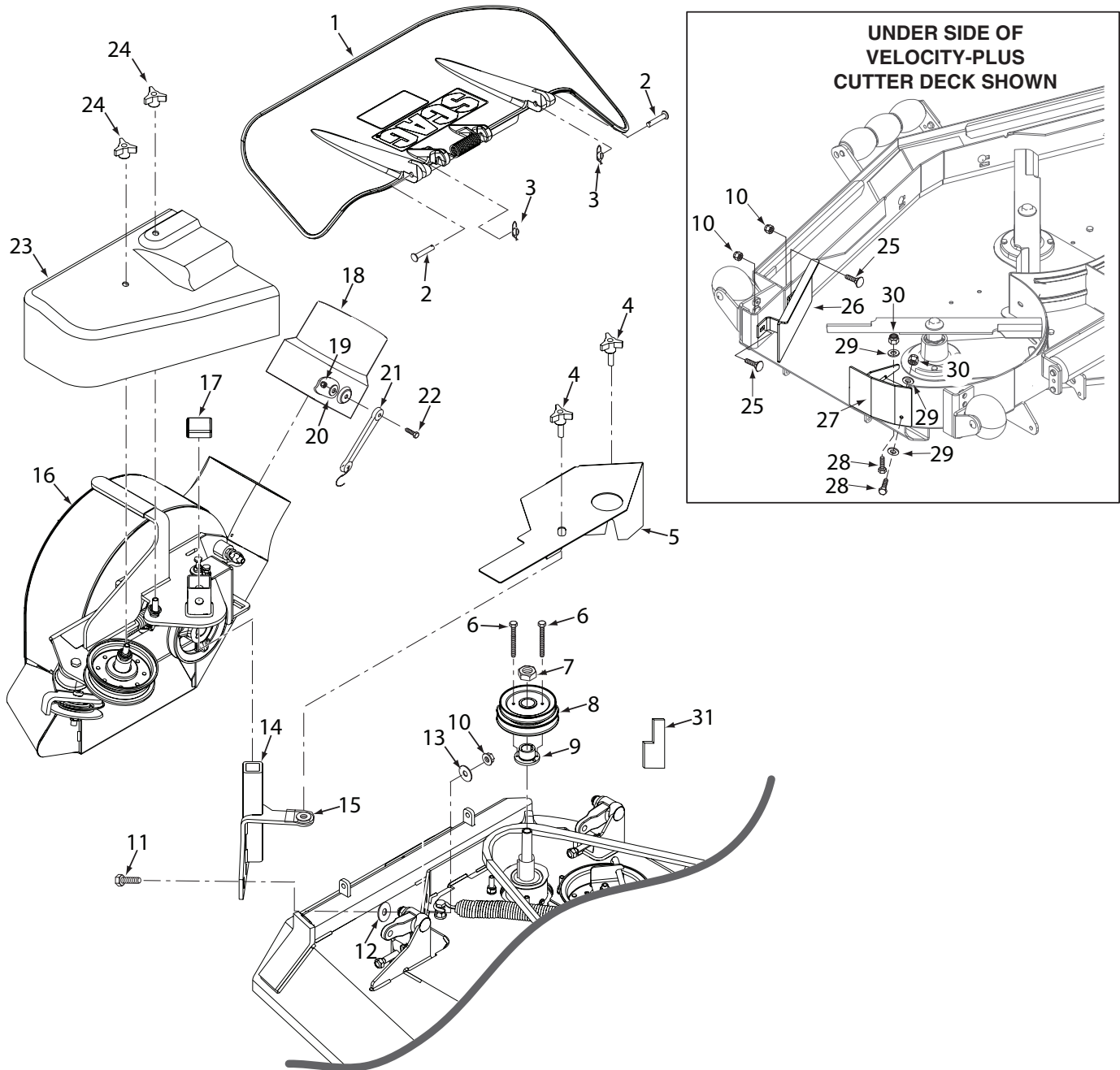
GC-VRII BLOWER HOUSING ASSEMBLY



GC-VRII BLOWER HOUSING ASSEMBLY

| Ref. No. | Part No. | Description | Ref. No. | Part No. | Description |
|----------|-----------|--|----------|----------|--|
| 1 | 04024-02 | Nut, Push-On - 3/8 | 41 | 461387 | Adapter, With Strap Assembly (INCL. 42,43,44,45) |
| 2 | 04041-07 | Washer, Flat, 3/8, .391 x .938 x .105 | 42 | 48137-04 | Rubber Strap 7¾" |
| 3 | 04021-05 | Nut, Lock, Center Lock, 3/8-16 | 43 | 04001-59 | Bolt, 1/4-20 x 1¼" |
| 4 | 43277 | Spacer, J-Pull Rod | 44 | 04040-14 | Washer, Flat 1/4, .312 x .750 x .065 |
| 5 | 424367 | Dust Shield | 45 | 04021-08 | Nut, Lock, Elastic Stop, 1/4-20 |
| 6 | 483209 | Pulley, 4" Idler | 46 | 48136-18 | Clamp, Hose - 6" OD |
| 7 | 481522 | Spring, Main Drive | 47 | 48135-59 | Hose, 6" x 36" Long |
| 8 | 04030-04 | Washer, Lock, 3/8 Spring | 48 | 481428 | Grip, Blower Gate Lever |
| 9 | 04021-09 | Nut, Lock, Elastic Stop, 3/8-16 | 49 | 483402 | Decal, Belt Cover |
| 10 | 427387 | Plate, Blower Catch | 50 | 427331 | Belt Cover, Rear |
| 11 | 423296 | Plate, Catch Mounting | 51 | 04067-10 | Pin, Ring .5 x 2¼" |
| 12 | 04003-11 | Bolt, Carriage, 3/8-16 x 1¼" | 52 | 04062-04 | Hair Pin Cotter, .177 x 3¼" |
| 13 | 04029-04 | Wingnut, 3/8 Plastic - Small | 53 | 04001-04 | Bolt, 1/4-20 x 1½" |
| 14 | 486348 | Belt Cover, 48GC-VRII | 54 | 482300 | Cap, Square Vinyl |
| | 486349 | Belt Cover, 52GC-VRII | | | |
| | 486350 | Belt Cover, 61GC-VRII | | | |
| 15 | 04043-04 | Washer, Flat Hardened, 3/8, .391 x .938 x .105 | | | |
| 16 | 483189 | Pulley, 3.5 OD V-Idler | | | |
| 17 | 482379 | Belt (48 and 52) | | | |
| | 483182 | Belt (61) | | | |
| 18 | 493215 | Idler Arm Assembly, 48/52GC-VRII (INCL. 9,15,16,17,19,20,25,26,27) | | | |
| | 493217 | Idler Arm Assembly, 61GC-VRII (INCL. 9,15,16,17,19,20,25,26,27) | | | |
| 19 | 04001-45 | Bolt, 3/8-16 x 2" | | | |
| 20 | 04019-04 | Nut, Serrated Flange, 3/8-16 | | | |
| 21 | 04001-46 | Bolt, 3/8-16 x 2¼" | | | |
| 22 | 04001-81 | Bolt, 3/8-16 x 3½" Full Thread | | | |
| 23 | 04003-05 | Bolt, Carriage, 3/8-16 x 1½" | | | |
| 24 | 43575 | Pivot, Idler - Pump | | | |
| 25 | 48224 | Bearing, Ball, Neutral Ret. | | | |
| 26 | 43212 | Sleeve, Hydro Linkage | | | |
| 27 | 04001-168 | Bolt, 3/8-16 x 1¼" Grade 8 | | | |
| 28 | 461682 | Frame Weldment, Blower Mounting with Decal | | | |
| 29 | 04019-02 | Nut, Serrated Flange, 1/4-20 | | | |
| 30 | 482298 | Pulley, 4¾" OD - 1" Bore (INCL. 04012-04 Setscrews) | | | |
| 31 | 04063-06 | Key, 1/4 x 1/4 x 1½" | | | |
| 32 | 04019-03 | Nut, Serrated Flange, 5/16-18 | | | |
| 33 | 483034 | Bearing Assembly (INCL. Bearing Housing and Bearing) | | | |
| 34 | 484696 | Decal, Grease Point | | | |
| 35 | 04003-04 | Bolt, Carriage, 5/16-18 x 1" | | | |
| 36 | 461342 | Blower Housing w/ Decal, GC | | | |
| 37 | 461795 | Fan Weldment w/ Bearings (INCL 32,33,35) | | | |
| 38 | 421319 | Cover, Blower Housing | | | |
| 39 | 483393 | Decal, Rotating Blower | | | |
| 40 | 483391 | Decal, Danger | | | |

GC-VRII BLOWER MOUNTING COMPONENTS

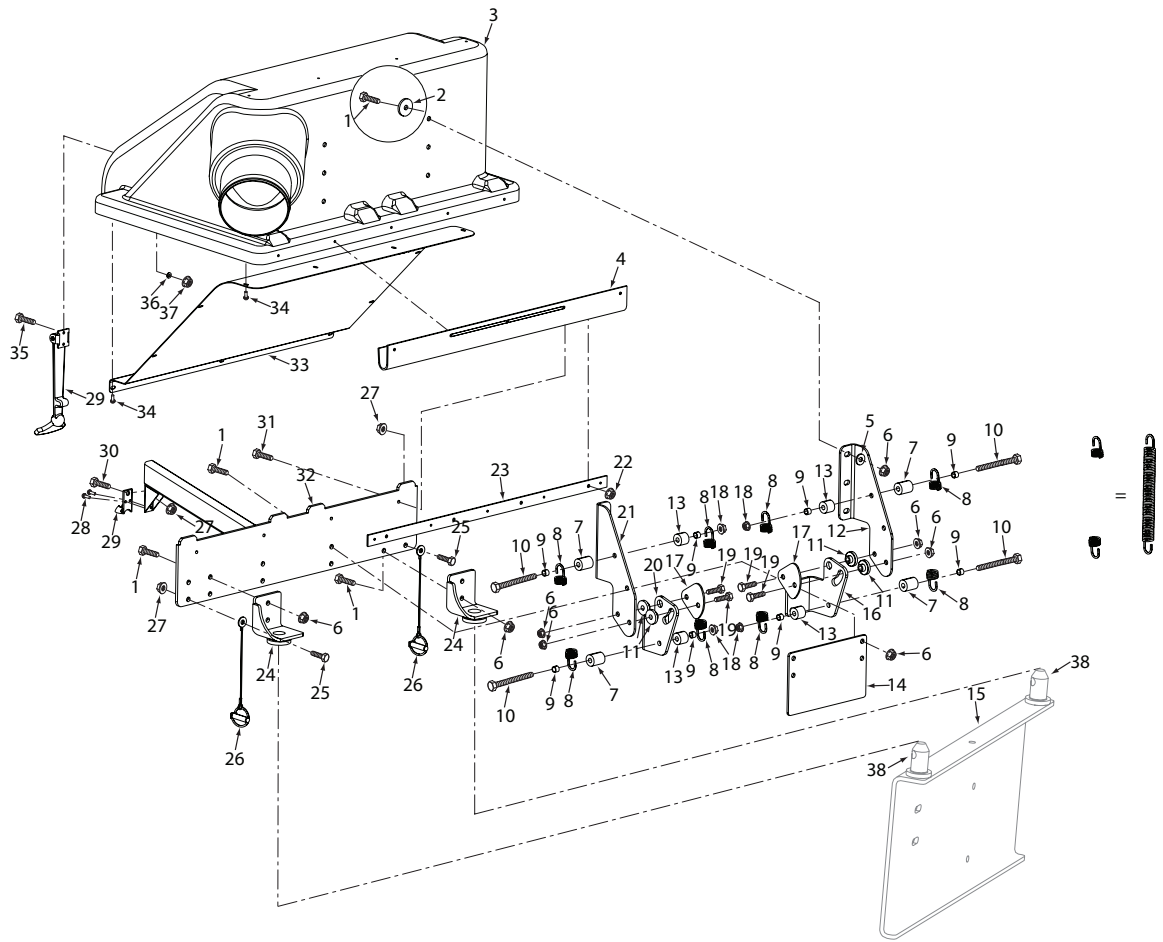


GC-VR II BLOWER MOUNTING COMPONENTS

| Ref. No. | Part No. | Description |
|----------|-----------|---|
| 1 | 461844 | Discharge Chute Assy. - 48V |
| | 461845 | Discharge Chute Assy. - 52V |
| | 461846 | Discharge Chute Assy. - 61V |
| 2 | 04064-15 | Clevis Pin, 5/16 x 1½" |
| 3 | 04069-03 | Pin, Rue Cotter, 5/16 DIA |
| 4 | 481625-01 | Knob With Stud, 3/8-16 x 1¼" |
| 5 | 427945 | Belt Cover, 48GC-VR II |
| | 427819 | Belt Cover, 52GC-VR II |
| | 427968 | Belt Cover, 61GC-VR II |
| 6 | 04001-225 | Bolt, 1/4-20 x 2½" Full Thread |
| 7 | 04020-09 | Nut, 5/8-11 |
| 8 | 483283 | Pulley, 5.13 OD - Double Groove (48) |
| | 486143 | Pulley, Double Groove (52) |
| | 486144 | Pulley, Double Groove (61) |
| 9 | 48926 | Hub, Tapered, 1.125 |
| 10 | 04021-09 | Nut, Lock, Elastic Stop, 3/8-16 |
| 11 | 04001-32 | Bolt, 3/8-16 x 1¼" |
| 12 | 04041-07 | Washer, Flat, 3/8, .391 x .938 x .105 |
| 13 | 04030-04 | Washer, Lock, 3/8 Spring |
| 14 | 463133 | Mounting Post Assembly, Blower - 48GC-VR II (INCL.15) |
| | 463129 | Mounting Post Assembly, Blower - 52GC-VR II (INCL.15) |
| | 463137 | Mounting Post Assembly, Blower - 61GC-VR II (INCL.15) |
| 15 | 04110-03 | U-Nut, 3/8-16 |
| 16 | 493216 | Blower Assembly, 48/52GC-VR II |
| | 493218 | Blower Assembly, 61GC-VR II |
| 17 | 482300 | Cap, Square Vinyl |
| 18 | 461387 | Adapter, With Strap Assembly (INCL.19,20,21,22) |
| 19 | 04001-59 | Bolt, 1/4-20 x 1¼" |
| 20 | 04040-14 | Washer, Flat, 1/4, .312 x .750 x .065 |
| 21 | 48137-04 | Rubber Strap 7¾" |
| 22 | 04021-08 | Nut, Lock, Elastic Stop, 1/4-20 |
| 23 | 486348 | Belt Cover, 48GC-VR II |
| | 486349 | Belt Cover, 52GC-VR II |
| | 486350 | Belt Cover, 61GC-VR II |
| 24 | 04029-04 | Wingnut, 3/8 Plastic - Small |
| 25 | 04003-23 | Bolt, Carriage, 3/8-16 x 1" |
| 26 | 453056 | Baffle Weldment, GC-48/52V Blower |
| | 453057 | Baffle Weldment, GC-61V Blower |
| 27 | 424683 | Turbo Baffle, Catcher - 48V |
| | 424211 | Turbo Baffle, Catcher - 52V |
| | 424212 | Turbo Baffle, Catcher - 61V |
| 28 | 04001-09 | Bolt, 5/16-18 x 1" |
| 29 | 04040-15 | Washer, Flat, 5/16, .375 x .875 x .083 |
| 30 | 04021-10 | Nut, Lock, Elastic Stop, 5/16-18 |
| 31 | 428125 | Pulley Height Tool |

GC-VRII HOOD COMPONENTS

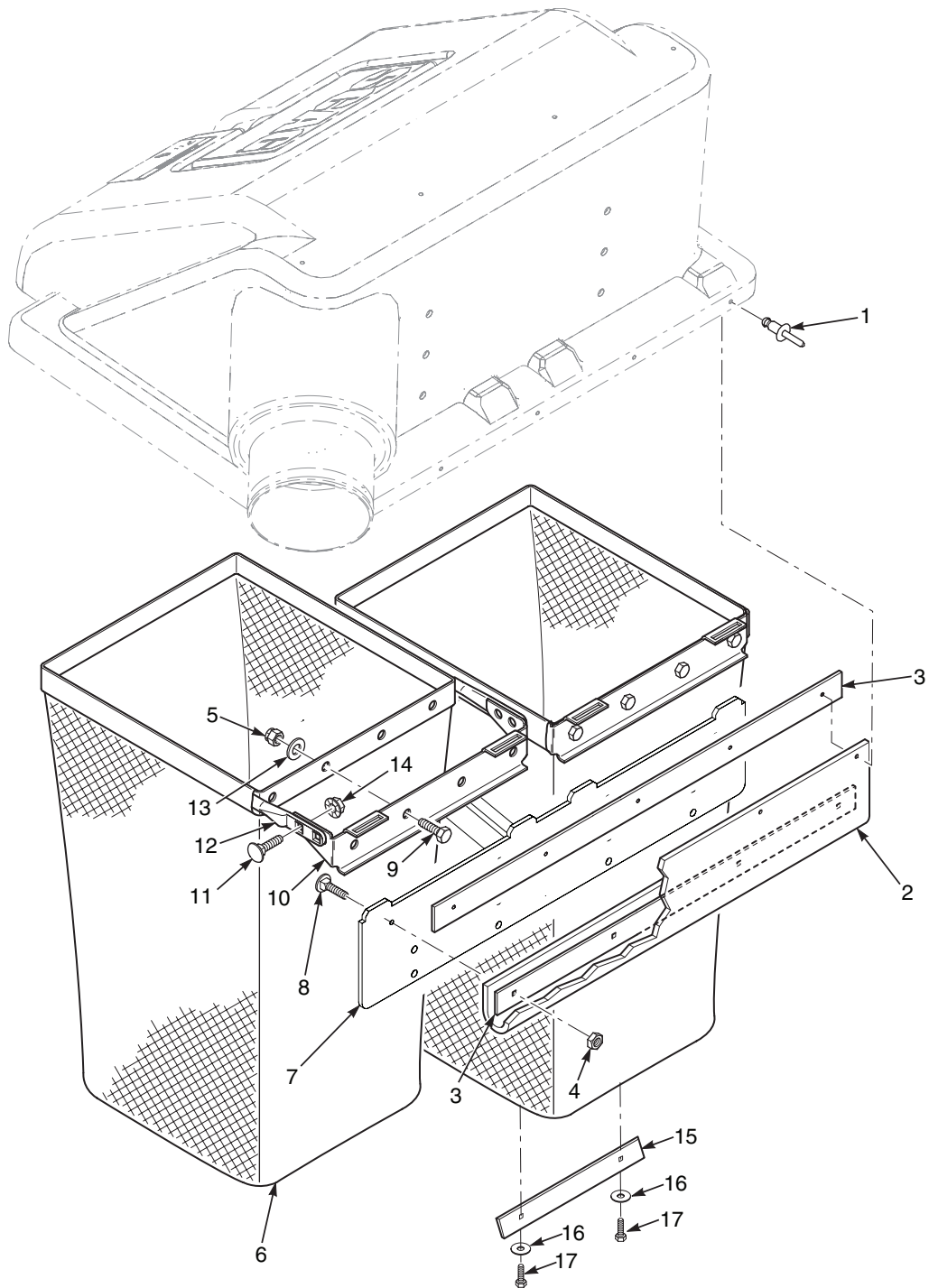
39 40



GC-VRII HOOD COMPONENTS

| Ref. No. | Part No. | Description |
|----------|----------|--|
| 1 | 04001-32 | Bolt, 3/8-16 x 1 ¼" |
| 2 | 04041-11 | Washer, Flat 3/8, .406 x 1.5 x .1793 |
| 3 | 462932 | Hood Assembly, Catcher With Decal (INCL. 485840,4,23,33,34,36) |
| 4 | 483589 | Hood, Seal |
| 5 | 04041-07 | Washer, Flat, 3/8, .391 x .938 x .1046 |
| 6 | 04021-09 | Nut, Lock, Elastic Stop, 3/8-16 |
| 7 | 43886 | Spacer, GC Hitch |
| 8 | 482304 | Spring, Hood Hinge |
| 9 | 43212 | Sleeve, Hydro Linkage |
| 10 | 04001-30 | Bolt, 3/8-16 x 4" |
| 11 | 43546 | Bushing, Hopper Pivot |
| 12 | 425830 | Hinge, Upper-LH |
| 13 | 43277 | Spacer, J Pull Rod |
| 14 | 427840 | Plate, Support |
| 15 | 427790 | Bag Support Plate |
| 16 | 425875 | Hinge, Lower-LH |
| 17 | 425832 | Guard, GC Hinge |
| 18 | 04021-05 | Nut, Lock, Center Lock, 3/8-16 |
| 19 | 04001-20 | Bolt, 3/8-16 x 1 ½" |
| 20 | 425876 | Hinge, Lower-RH |
| 21 | 425831 | Hinge, Upper-RH |
| 22 | 04021-02 | Nut, Lock, Center Lock, 1/4-20 |
| 23 | 424753 | Retainer, Seal |
| 24 | 453016 | Receiver, Weldment |
| 25 | 04001-09 | Bolt, 5/16-18 x 1" |
| 26 | 483596 | Quick Pin Assembly, With Lanyard |
| 27 | 04021-10 | Nut, Lock, Elastic Stop, 5/16-18 |
| 28 | 04090-03 | Pop Rivet, 3/16 x .402 |
| 29 | 482409 | Draw Latch (Hook and Strap) |
| 30 | 04001-08 | Bolt, 5/16-18 x 3/4" |
| 31 | 04001-01 | Bolt, 1/4-20 x 3/4" |
| 32 | 452675 | Frame Weldment, Bag Support |
| 33 | 424731 | Screen, GC Hood |
| 34 | 04090-02 | Pop Rivet, 3/16 x .652 |
| 35 | 04010-25 | Machine Screws, #10-32 x 3/4" |
| 36 | 04041-19 | Washer, Flat, 3/16, .196 x .469 x .0478 |
| 37 | 04021-01 | Nut, Lock, Elastic Stop, #10-32 |
| 38 | 43884 | Pin, GC Locator |
| 39 | 04030-04 | Washer, Lock, 3/8 Spring |

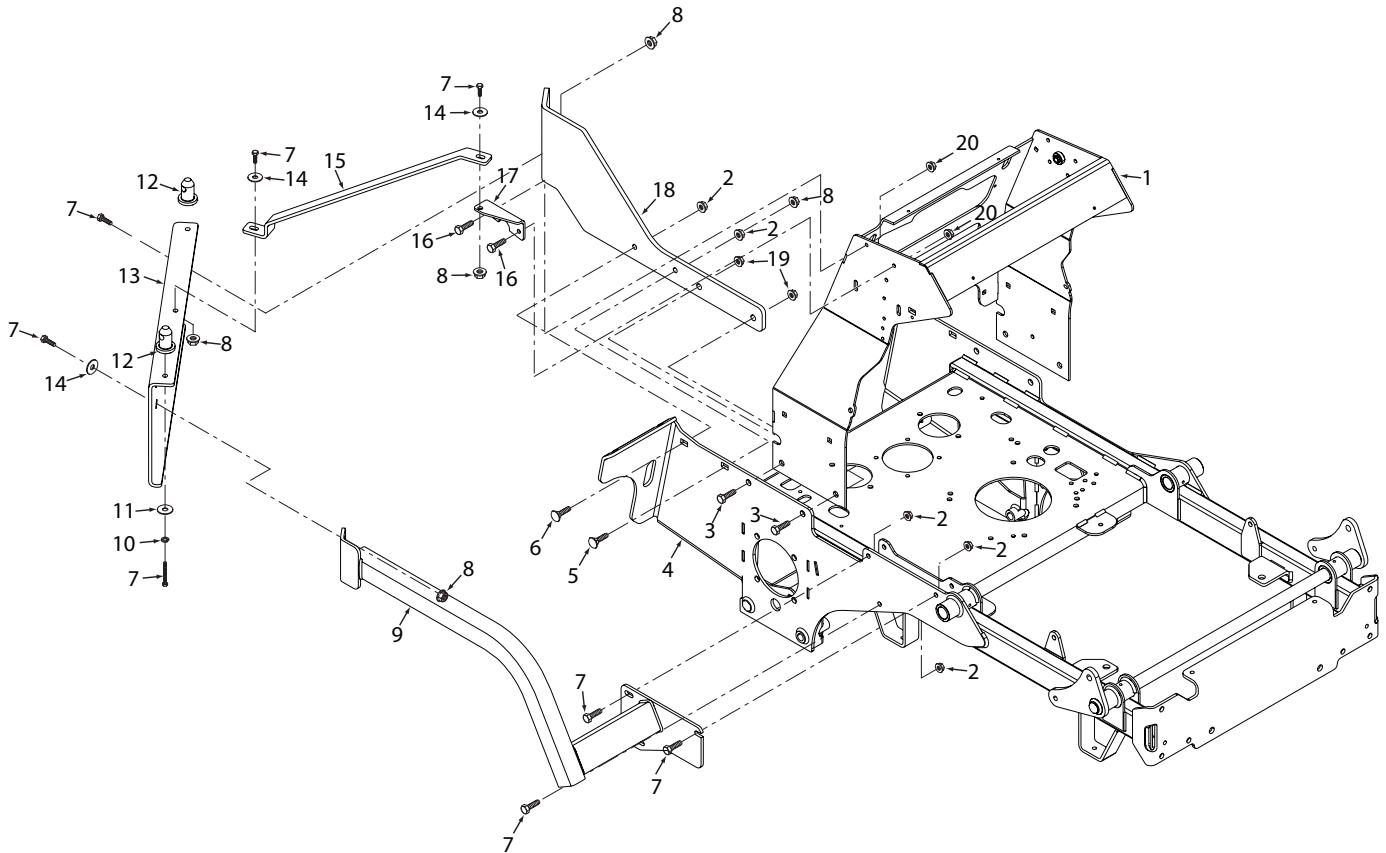
GC-VRII BAG SUPPORT COMPONENTS



GC-VRII BAG SUPPORT COMPONENTS

| Ref. No. | Part No. | Description |
|-----------------|-----------------|---------------------------------------|
| 1 | 04090-02 | Pop Rivet, 3/16 x .652 |
| 2 | 483589 | Seal, GC Hood |
| 3 | 424753 | Retainer, Seal |
| 4 | 04021-02 | Nut, Center Lock 1/4-20 |
| 5 | 04021-10 | Nut, Elastic Stop 5/16-18 |
| 6 | 462966 | Bag Assembly |
| 7 | 452675 | Frame Weldment, Bag Support |
| 8 | 04001-01 | Bolt, 1/4-20 x 3/4" |
| 9 | 04001-08 | Bolt, 5/16-18 x 3/4" |
| 10 | 423198 | Mount, Bag Frame Tube |
| 11 | 04003-12 | Bolt, Carriage 5/16-18 x 3/4" |
| 12 | 423197 | Tube, Bag Support |
| 13 | 04040-15 | Flatwasher, 5/16-.375 x .875 x .083 |
| 14 | 04019-03 | Nut, Serrated Flange 5/16-18 |
| 15 | 427476 | Handle |
| 16 | 04041-11 | Washer, Flat, 3/8, .406 x 1.5 x .1793 |
| 17 | 04001-10 | Bolt, 5/16-18 x 1 1/4" |

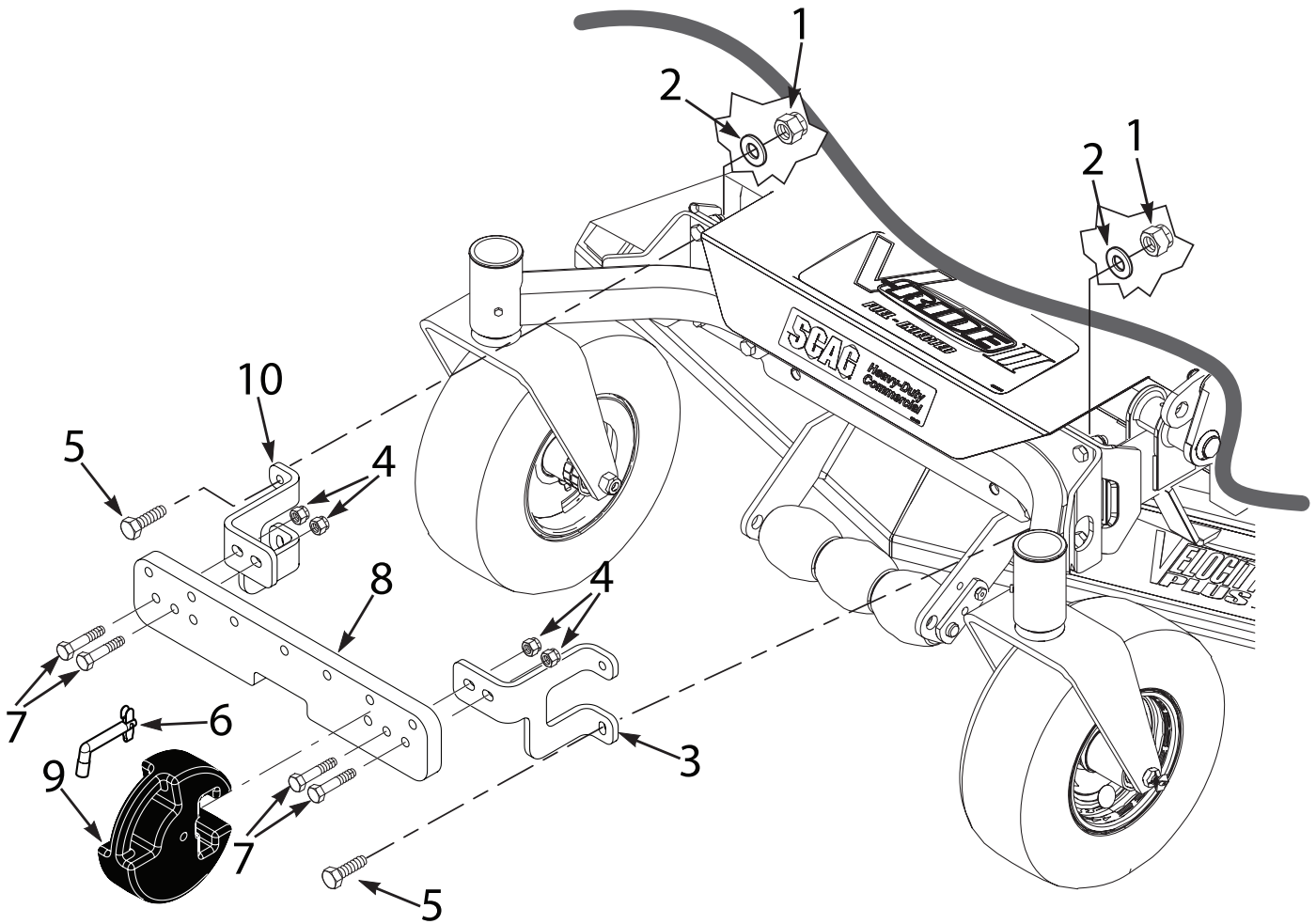
GC-VRII SUPPORT FRAME COMPONENTS



GC-VRII SUPPORT FRAME COMPONENTS

| Ref. No. | Part No. | Description |
|-----------------|-----------------|---|
| 1 | 452832 | Handlebar Weldment, SVRII |
| 2 | 04019-04 | Nut, Serrated Flange, 3/8-16 |
| 3 | 04017-39 | Bolt, Serrated Flange, 1/2-13 x 1¾" |
| 4 | 452804 | Mainframe Weldment, SVRII |
| 5 | 04003-03 | Bolt, Carriage, 3/8-16 x 2" |
| 6 | 04003-22 | Bolt, Carriage, 3/8-16 x 1¼" |
| 7 | 04001-32 | Bolt, 3/8-16 x 1¼" |
| 8 | 04117-02 | Nut, Lock, Elastic Stop With Flange, 3/8-16 |
| 9 | 452995 | Bracket Weldment, GC Mounting |
| 10 | 04030-04 | Washer, Lock, 3/8 Spring |
| 11 | 04041-11 | Washer, Flat, 3/8, .406 x 1.5 x .1793 |
| 12 | 43884 | Pin, GC-SCZ Locator |
| 13 | 427790 | Bag Support, Plate |
| 14 | 04041-07 | Washer, Flat, 3/8, .391 x .938 x .1046 |
| 15 | 427791 | Upper Support Bracket |
| 16 | 04001-09 | Bolt, 5/16-18 x 1" |
| 17 | 427792 | Mounting Bracket, Upper |
| 18 | 427806 | GC Mounting Bracket, LH |
| 19 | 04019-06 | Nut, Serrated Flange, 1/2-13 |
| 20 | 04019-03 | Nut, Serrated Flange, 5/16-18 |

GC-VRII FRONT WEIGHT COMPONENTS



GC-VRII FRONT WEIGHT COMPONENTS

| Ref. No. | Part No. | Description |
|-----------------|-----------------|---|
| 1 | 04021-11 | Nut, Lock, elastic Stop, 7/16-14 |
| 2 | 04030-05 | Washer, Lock, 7/16 Spring |
| 3 | 427851 | Mounting Bracket, Weight Bar - LH |
| 4 | 04117-04 | Nut, Lock, elastic Stop With Flange, 1/2-13 |
| 5 | 04001-117 | Bolt, 7/16-14 x 1¾" |
| 6 | 485172 | Pin, Weight Retention |
| 7 | 04001-153 | Bolt, 1/2-13 x 2¼" |
| 8 | 426093 | Weight Bar |
| 9 | 484758 | GC Weight |
| 10 | 427852 | Mounting Bracket, Weight Bar - RH |

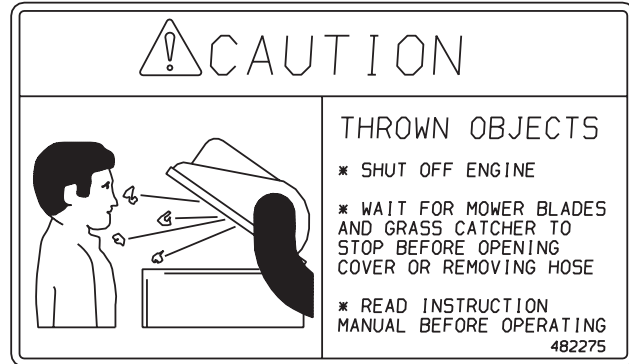
***Weights Required**

| Model | Qty. |
|----------------|-------------|
| SVRII 48/52/61 | 1 |

GC-VRII DECALS



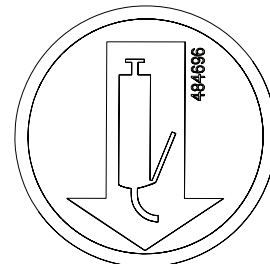
483402



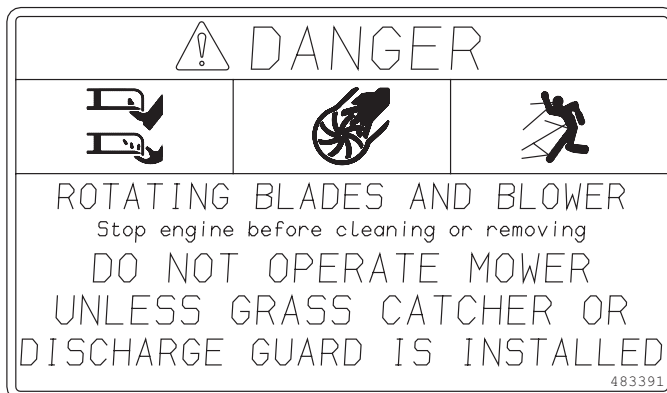
482275



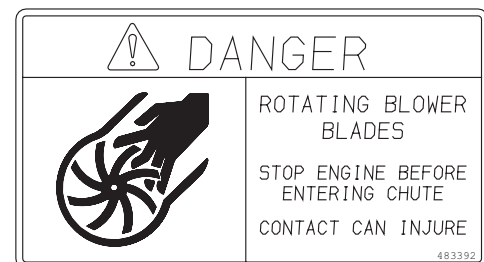
482733



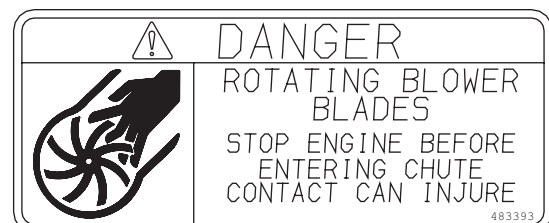
484696



483391



483039



483393