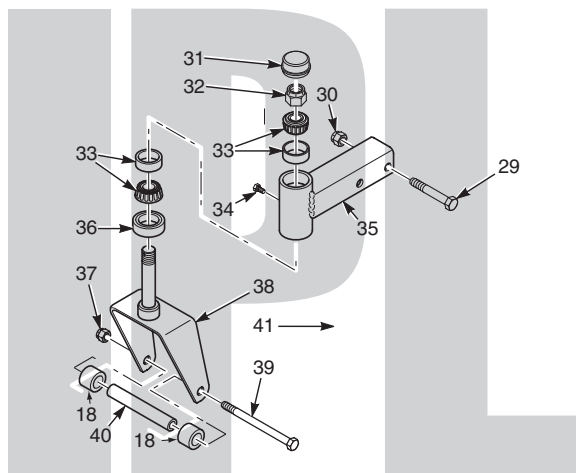


# SCAG<sup>®</sup>

## POWER EQUIPMENT



# ILLUSTRATED PARTS MANUAL



## Model SPZ Patriot

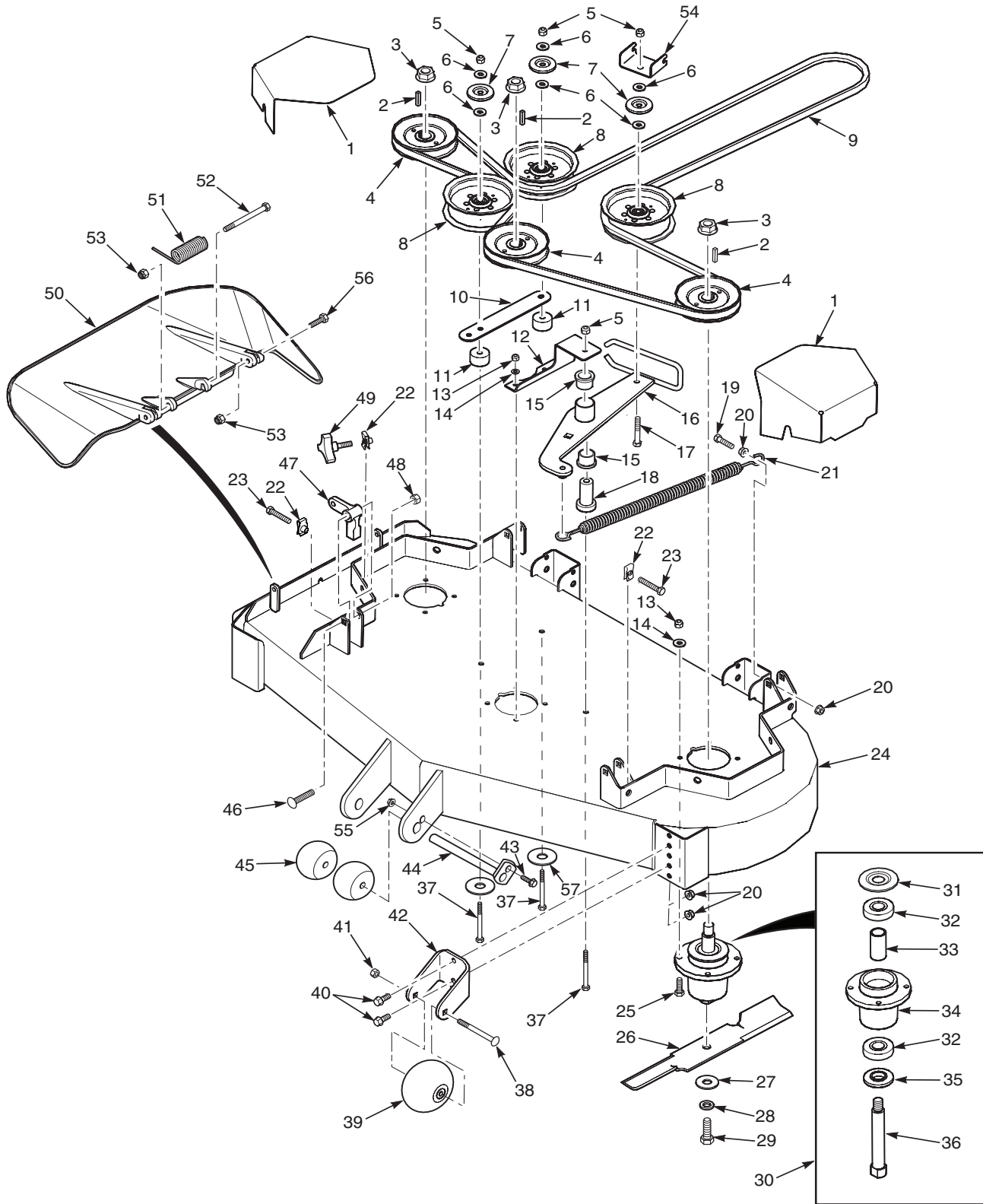
THIS MANUAL CONTAINS THE ILLUSTRATED PARTS LIST FOR MODELS:  
SPZ52-22FX with a serial number of M2400000 to M2499999  
SPZ61-23FX with a serial number of M2500000 to M2599999



## Table of Contents

52" CUTTER DECK.....	2
61" CUTTER DECK.....	4
CUTTER DECK CONTROLS - SPZ52 .....	6
CUTTER DECK CONTROLS - SPZ61 .....	8
SHEET METAL COMPONENTS - SPZ .....	10
SEAT ASSEMBLY .....	12
NOTES.....	13
BRAKE COMPONENTS - SPZ .....	14
SPZ ROLL-OVER PROTECTION SYSTEM.....	16
DRIVE SYSTEM COMPONENTS - SPZ52 & SPZ61.....	18
EXHAUST AND ELECTRICAL SYSTEM - SPZ .....	20
SPZ FUEL SYSTEM.....	22
ZT-3100 HYDRAULIC AXLE ASSEMBLY - SPZ52.....	24
ZT-3400 HYDRAULIC AXLE ASSEMBLY - SPZ61.....	26
REPLACEMENT DECALS AND INFORMATION PLATES .....	28
SPZ - ELECTRICAL SCHEMATIC .....	30

### 52" CUTTER DECK



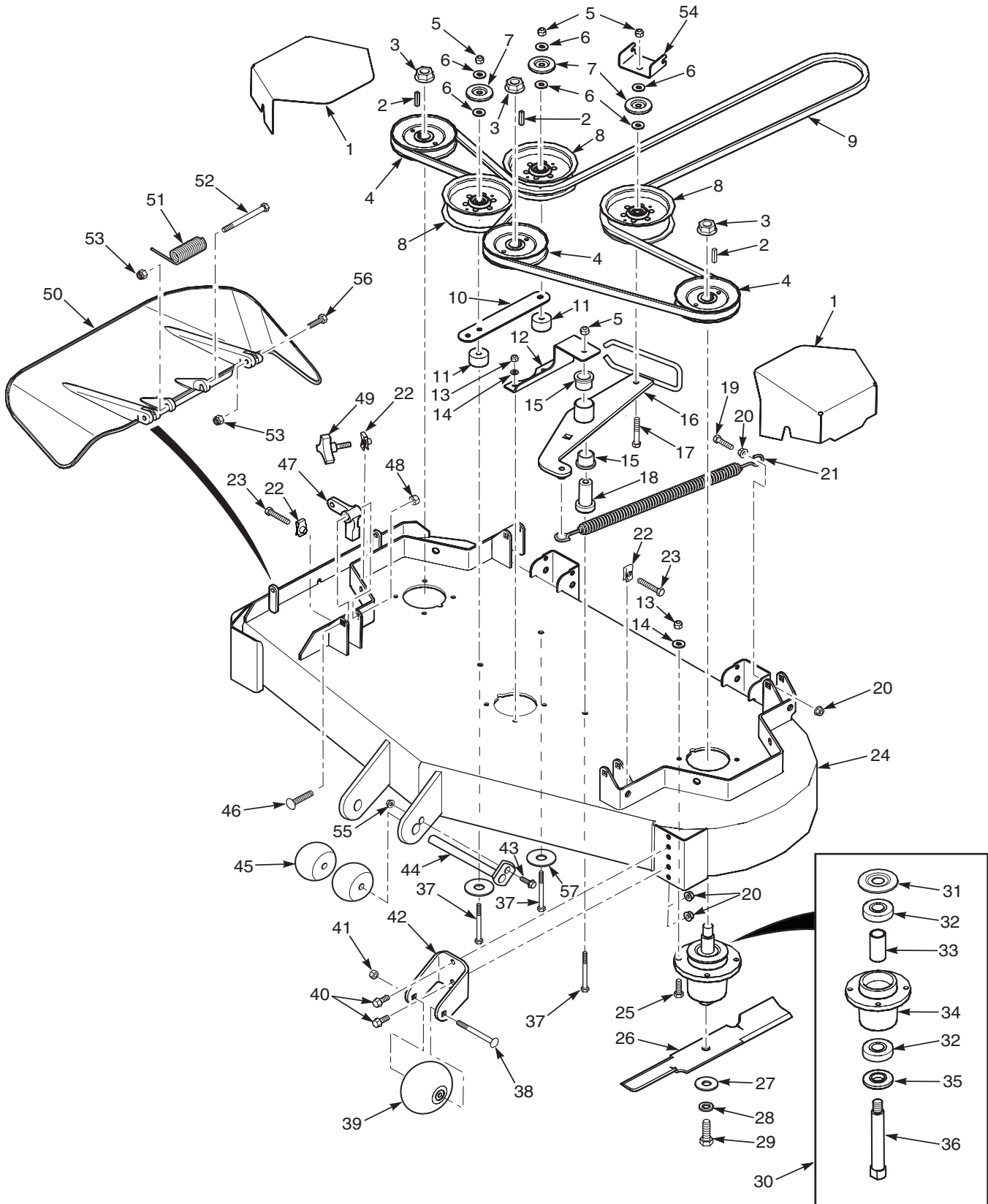
## 52" CUTTER DECK

	Part No.	Description
1	424528	Belt Cover
2	04063-01	Key, 1/4 x 1/4 x 1-1/4"
3	04112-06	Nut, 3/4-16 Spiral Lock
4	483324	Pulley, 5.73" OD - 25mm Bore
5	04021-09	Nut, Elastic Stop 3/8-16
6	04043-04	Flatwasher, 3/8-.391 x .938 x .105
7	424367	Dust Shield
8	483422	Pulley, 5" Idler
9	483326	Belt, Cutter Deck
10	424479	Brace, Pulley
11	43711	Spacer
12	424547	Support, Idler Pivot
13	04021-22	Nut, Elastic Stop
14	04030-03	Lockwasher, 5/16 Spring
15	483453-03	Bearing
16	462037	Idler Arm (incl. item #15)
17	04001-31	Bolt, Hex Head 3/8-16 x 2-1/2"
18	43708	Pivot, Idler
19	04001-136	Bolt, Hex Head 3/8-16 x 1-1/2 Gr.8
20	04019-04	Nut, Serrated Flange 3/8-16
21	483375	Spring, Idler
22	04110-03	U-Nut, 3/8-16
23	04107-04	Bolt, Hex Head 3/8-16 x 2"Special Lock
24	462040	Cutter Deck w/Decals, SFZ52
25	4001-11	Bolt, Hex Head 5/16-18 x 1-1/2"
26	482878	Cutter Blade, 18"
27	04043-06	Flatwasher, 5/8-.688 x 1.75 x .134 HD
28	04030-07	Lockwasher, 1/2 Spring
29	04001-121	Bolt, Hex Head 5/8-11 x 1-1/2"
30	461950	Spindle Assembly

	Part No.	Description
31	483304	Debris Shield
32	483303	Bearing
33	43693	Spacer
34	462014	Spindle Housing Assembly (Incl. item #32, 33)
35	43694	Protector, Bearing
36	43695	Shaft, Spindle
37	04001-77	Bolt, Hex Head 3/8-16 x 3-1/2"
38	04003-26	Bolt, Carriage 3/8-16 x 4"
39	481632	Wheel, Anti-Scalp
40	04017-27	Bolt, Hex Head 3/8-16 x 1" Ser. Fig.
41	04021-05	Nut, Center Lock 3/8-16
42	422478	Bracket, Anti-Scalp
43	04001-09	Bolt, Hex Head 5/16-18 x 1"
44	461926	Shaft Weldment
45	482295	Wheel, Anti-Scalp
46	04003-42	Bolt, Carriage 7/16-14 x 2-1/4"
47	483361	Lever, Deck Level
48	04021-11	Nut, Elastic Stop 7/16-14
49	481625-01	Knob w/Stud
50	462032	Discharge Chute Assy. SFZ52
*	462474	CA Discharge Chute, 52
51	482245	Spring, Discharge Chute
52	04001-154	Bolt, Hex Head 5/16-18 x 4-3/4"
53	04021-10	Nut, Elastic Stop 5/16-18
54	424615	Bracket, Belt Guide
55	04019-03	Nut, Serrated Flange 5/16-18
56	04001-12	Bolt, Hex Head 5/16-18 x 1-3/4"
57	04041-38	Flatwasher, 3/8-.406 x 2.25 x .1875
*	424211	Turbo Baffle

\* = California Models Only (not shown)

### 61" CUTTER DECK



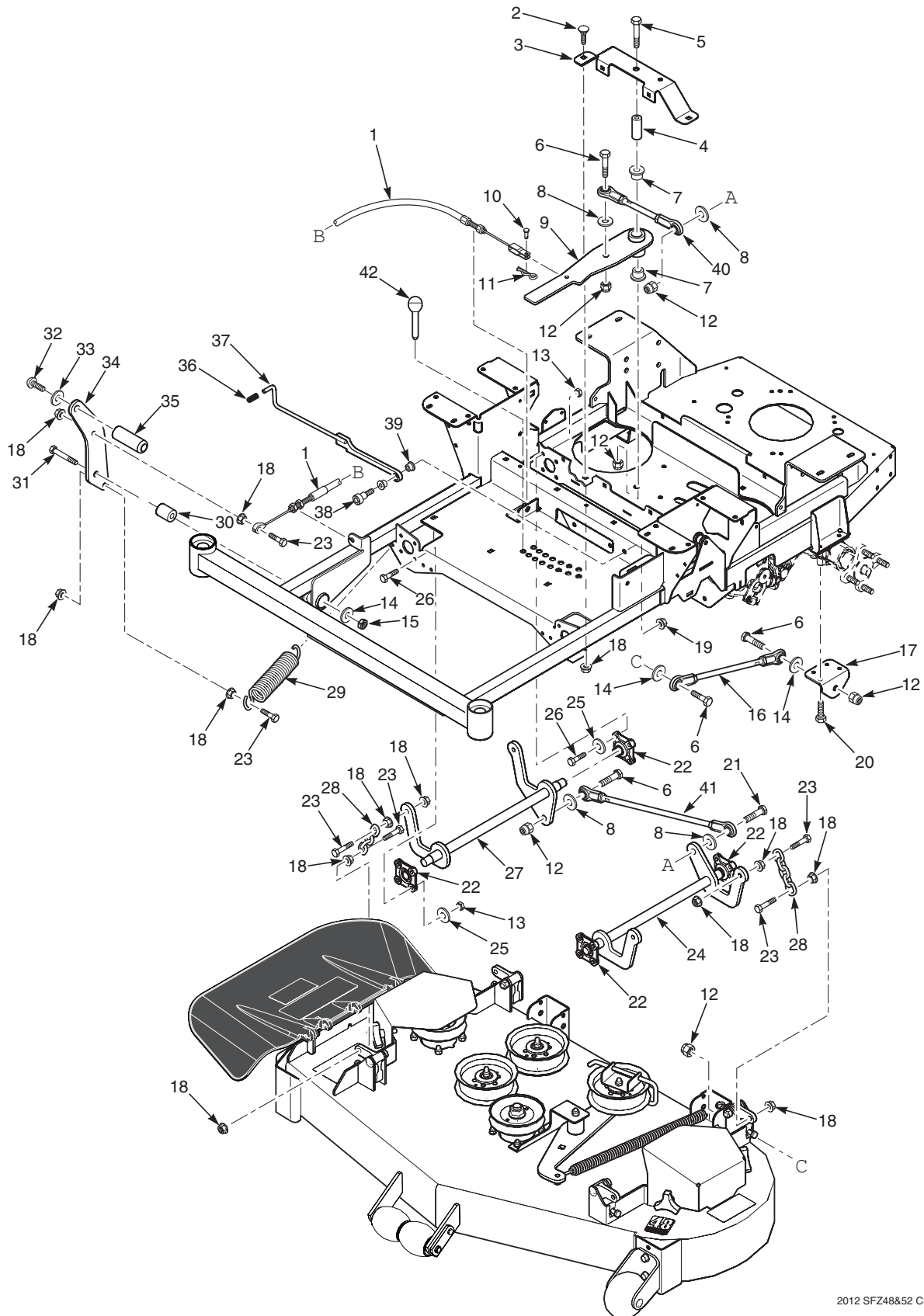
## 61" CUTTER DECK

	Part No.	Description
1	425260	Belt Cover
2	04063-01	Key, 1/4 x 1/4 x 1-1/4"
3	04112-06	Nut, 3/4-16 Spiral Lock
4	484026	Pulley, 6.32" OD - 25mm Bore
5	04021-09	Nut, Elastic Stop 3/8-16
6	04043-04	Flatwasher, 3/8-.391 x .938 x .105
7	424367	Dust Shield
8	483422	Pulley, 5" Idler
9	484031	Belt, Cutter Deck
10	424479	Brace, Pulley
11	43711	Spacer
12	425264	Support, Idler Pivot
13	04021-22	Nut, Elastic Stop
14	04030-03	Lockwasher, 5/16 Spring
15	483453-03	Bearing
16	462037	Idler Arm (incl. item #15)
17	04001-31	Bolt, Hex Head 3/8-16 x 2-1/2"
18	43708	Pivot, Idler
19	04001-136	Bolt, Hex Head 3/8-16 x 1-1/2 Gr.8
20	04019-04	Nut, Serrated Flange 3/8-16
21	483375	Spring, Idler
22	04110-03	U-Nut, 3/8-16
23	04107-04	Bolt, Hex Head 3/8-16 x 2" Special Lock
24	462227	Cutter Deck w/Decals, SFZ61
25	04001-11	Bolt, Hex Head 5/16-18 x 1-1/2"
26	482879	Cutter Blade, 21"
27	04043-06	Flatwasher, 5/8-.688 x 1.75 x .134 HD
28	04030-07	Lockwasher, 1/2 Spring
29	04001-121	Bolt, Hex Head 5/8-11 x 1-1/2"
30	461950	Spindle Assembly

	Part No.	Description
31	483304	Debris Shield
32	483303	Bearing
33	43693	Spacer
34	462014	Spindle Housing Assembly (Incl. item #32, 33)
35	43694	Protector, Bearing
36	43695	Shaft, Spindle
37	04001-77	Bolt, Hex Head 3/8-16 x 3-1/2"
38	04003-26	Bolt, Carriage 3/8-16 x 4"
39	481632	Wheel, Anti-Scalp
40	04017-27	Bolt, Hex Head 3/8-16 x 1" Ser. Flg.
41	04021-05	Nut, Center Lock 3/8-16
42	422478	Bracket, Anti-Scalp
43	04001-09	Bolt, Hex Head 5/16-18 x 1"
44	461926	Shaft Weldment
45	482295	Wheel, Anti-Scalp
46	04003-42	Bolt, Carriage 7/16-14 x 2-1/4"
47	483361	Lever, Deck Level
48	04021-11	Nut, Elastic Stop 7/16-14
49	481625-01	Knob w/Stud
50	462213	Discharge Chute Assembly
*	462476	CA Discharge Chute, 61
51	482245	Spring, Discharge Chute
52	04001-154	Bolt, Hex Head 5/16-18 x 4-3/4"
53	04021-10	Nut, Elastic Stop 5/16-18
54	424615	Bracket, Belt Guide
55	04019-03	Nut, Serrated Flange 5/16-18
56	04001-12	Bolt, Hex Head 5/16-18 x 1-3/4"
57	04041-38	Flatwasher, 3/8-.406 x 2.25 x .1875
*	425867	Turbo Baffle

\* = California Models Only (not shown)

### CUTTER DECK CONTROLS - SPZ52

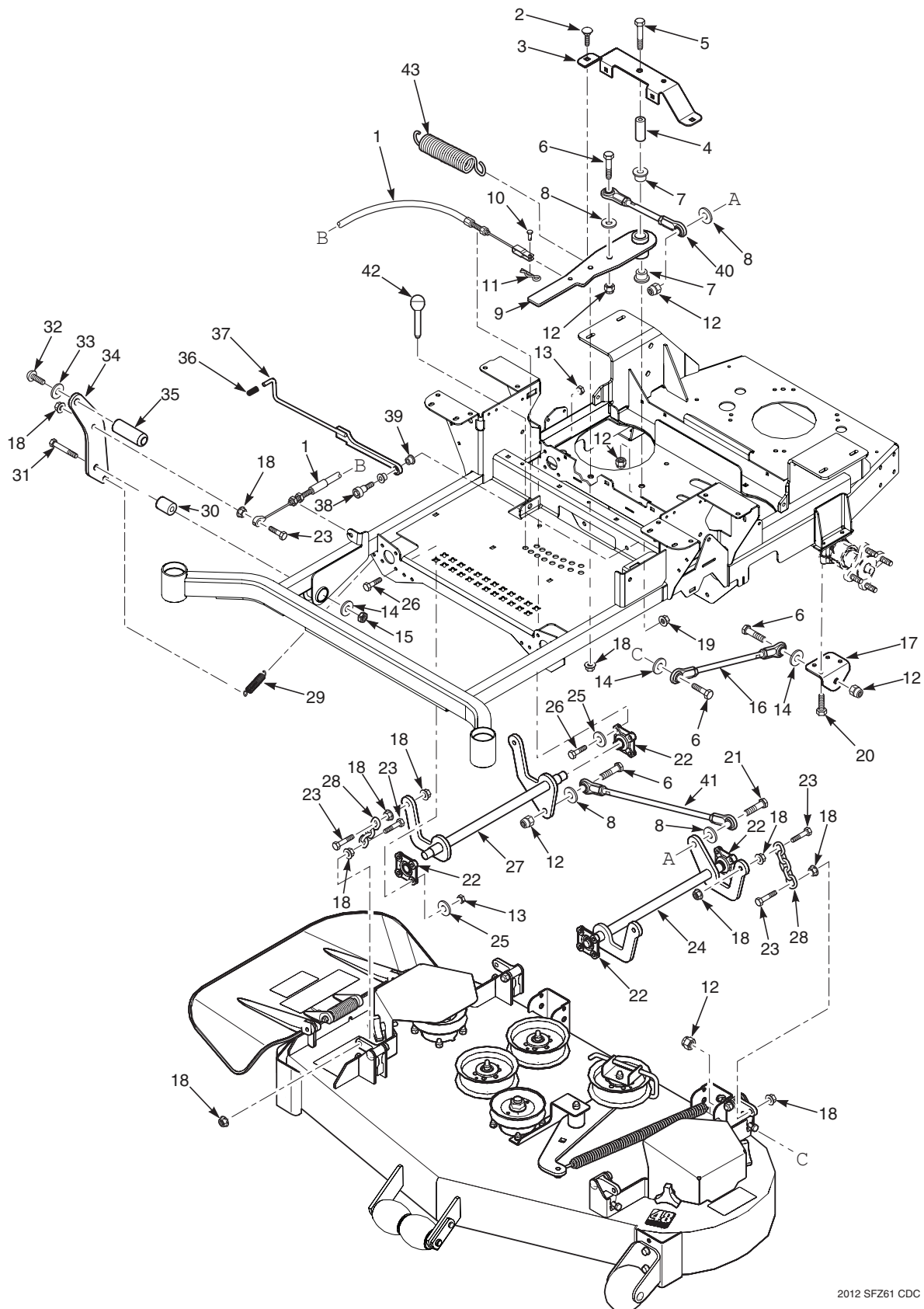




## CUTTER DECK CONTROLS - SPZ52

Ref. No.	Part No.	Description
1	483341	Cable, Deck Lift
2	04003-31	Bolt, Carriage 3/8-16 x 3/4"
3	424476	Support, Idler Arm
4	43710	Spacer, Deck Lift Pivot
5	04001-90	Bolt, Hex Head 1/2-13 x 3-3/4"
6	04001-72	Bolt, Hex Head 1/2-13 x 2"
7	483453-03	Bearing
8	04040-07	Flatwasher, 1/2-.531 x 1.06 x .095
9	461999	Deck Lift Bellcrank Assembly
10	04064-17	Clevis Pin, 5/16 x 3/4"
11	04062-01	Hair Pin, .094 x 1.62"
12	04021-07	Nut, Elastic Stop 1/2-13
13	04021-10	Nut, Elastic Stop 5/16-18
14	04040-13	Flatwasher, 1/2-.562 x 1.375 x .109
15	04021-09	Nut, Center Lock 1/2-13
16	483332	Linkage, Push Arm
17	424489	Bracket, Push Arm Link
18	04019-04	Nut, Serrated Flange 3/8-16
19	04021-09	Nut, Elastic Stop 3/8-16
20	04001-49	Bolt, Hex Head 5/16-18 x 3"
21	04001-52	Bolt, Hex Head 1/2-13 x 2-1/2"
22	483334	Bearing, Deck Lift
23	04001-20	Bolt, Hex Head 3/8-16 x 1-1/2"
24	451868	Weldment, Deck Lift LH
25	04040-14	Flatwasher, 1/4-.312 x .750 x .065
26	04001-09	Bolt, Hex Head 5/16-18 x 1"
27	451867	Weldment, Deck Lift RH
28	482628	Chain, Deck lift
29	483374	Spring, Deck Lift
30	43710	Sleeve, Deck Lift Pivot
31	04001-74	Bolt, Hex Head 1/2-13 x 3"
32	04105-01	Bolt, Head Socket 5/8-11 x 1-1/2"
33	04030-07	Lockwasher, 5/8 Spring
34	424535	Pedal, Foot Bracket
35	424504	Foot Pedal
36	483492	Grip, Deck Latch
37	491254	Weldment, Deck Latch
38	04009-06	Bolt, Shoulder 1/2 x 1/2
39	483453-10	Bearing
40	483328	Linkage Assembly, Deck Lift
41	483367	Linkage Assembly, Deck Lift
42	483498	Pin, Height Adjuster

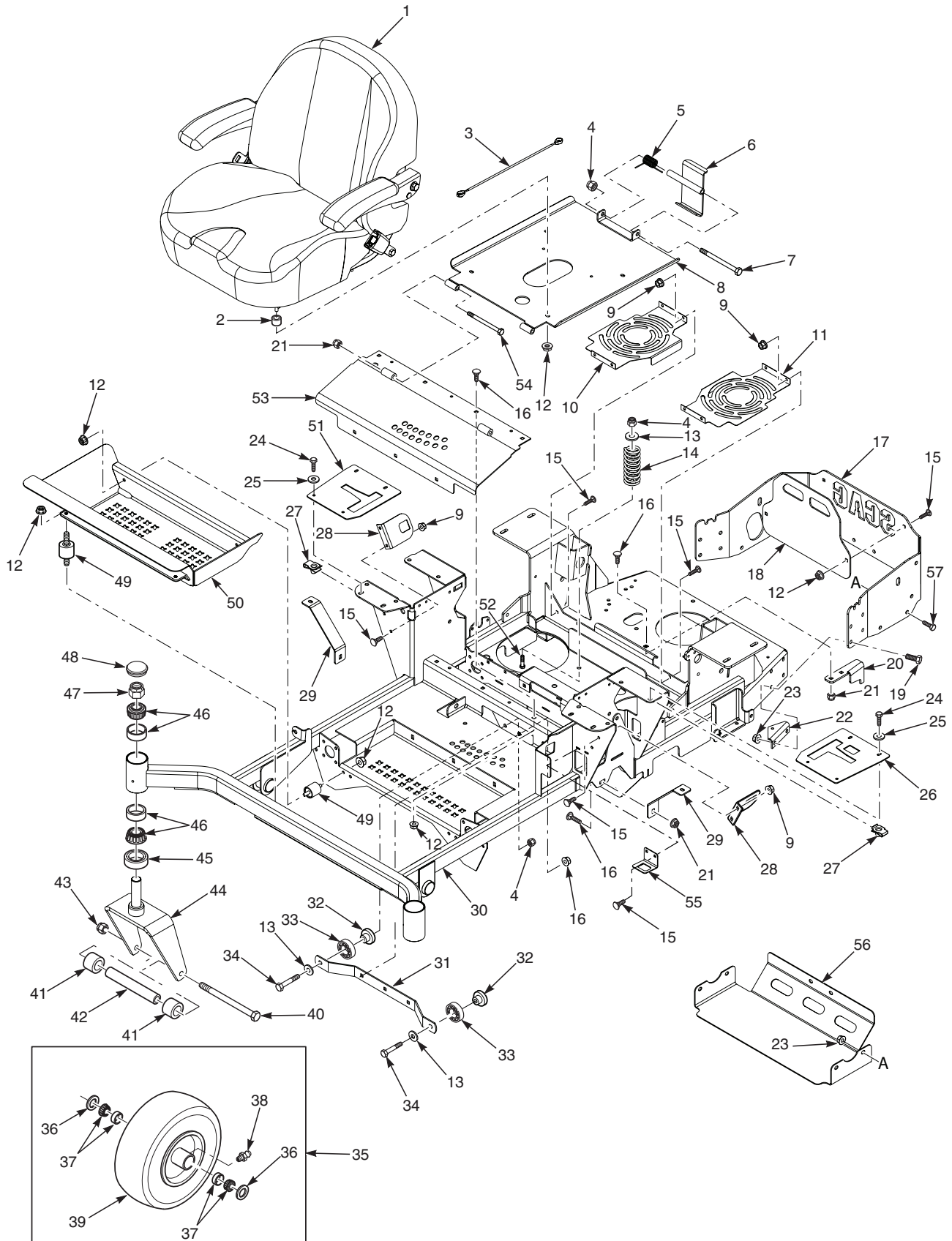
### CUTTER DECK CONTROLS - SPZ61



## CUTTER DECK CONTROLS - SPZ61

Ref. No.	Part No.	Description
1	483341	Cable, Deck Lift
2	04003-31	Bolt, Carriage 3/8-16 x 3/4"
3	424476	Support, Idler Arm
4	43710	Spacer, Deck Lift Pivot
5	04001-90	Bolt, Hex Head 1/2-13 x 3-3/4"
6	04001-72	Bolt, Hex Head 1/2-13 x 2"
7	483453-03	Bearing
8	04040-07	Flatwasher, 1/2-.531 x 1.06 x .095
9	461999	Deck Lift Bellcrank Assembly
10	04064-17	Clevis Pin, 5/16 x 3/4"
11	04062-01	Hair Pin, .094 x 1.62"
12	04021-07	Nut, Elastic Stop 1/2-13
13	04021-10	Nut, Elastic Stop 5/16-18
14	04040-13	Flatwasher, 1/2-.562 x 1.375 x .109
15	04021-09	Nut, Center Lock 1/2-13
16	483332	Linkage, Push Arm
17	424489	Bracket, Push Arm Link
18	04019-04	Nut, Serrated Flange 3/8-16
19	04021-09	Nut, Elastic Stop 3/8-16
20	04001-49	Bolt, Hex Head 5/16-18 x 3"
21	04001-52	Bolt, Hex Head 1/2-13 x 2-1/2"
22	483334	Bearing, Deck Lift
23	04001-20	Bolt, Hex Head 3/8-16 x 1-1/2"
24	452112	Weldment, Deck Lift LH
25	04040-14	Flatwasher, 1/4-.312 x .750 x .065
26	04001-09	Bolt, Hex Head 5/16-18 x 1"
27	452113	Weldment, Deck Lift RH
28	482628	Chain, Deck lift
29	484038	Spring, Deck Lift
30	43710	Sleeve, Deck Lift Pivot
31	04001-74	Bolt, Hex Head 1/2-13 x 3"
32	04105-01	Bolt, Head Socket 5/8-11 x 1-1/2"
33	04030-07	Lockwasher, 5/8 Spring
34	424844	Pedal, Foot Bracket
35	424504	Foot Pedal
36	483492	Grip, Deck Latch
37	491254	Weldment, Deck Latch
38	04009-06	Bolt, Shoulder 1/2 x 1/2
39	483453-10	Bearing
40	483328	Linkage Assembly, Deck Lift
41	483367	Linkage Assembly, Deck Lift
42	483498	Pin, Height Adjuster
43	483374	Spring, Deck Lift

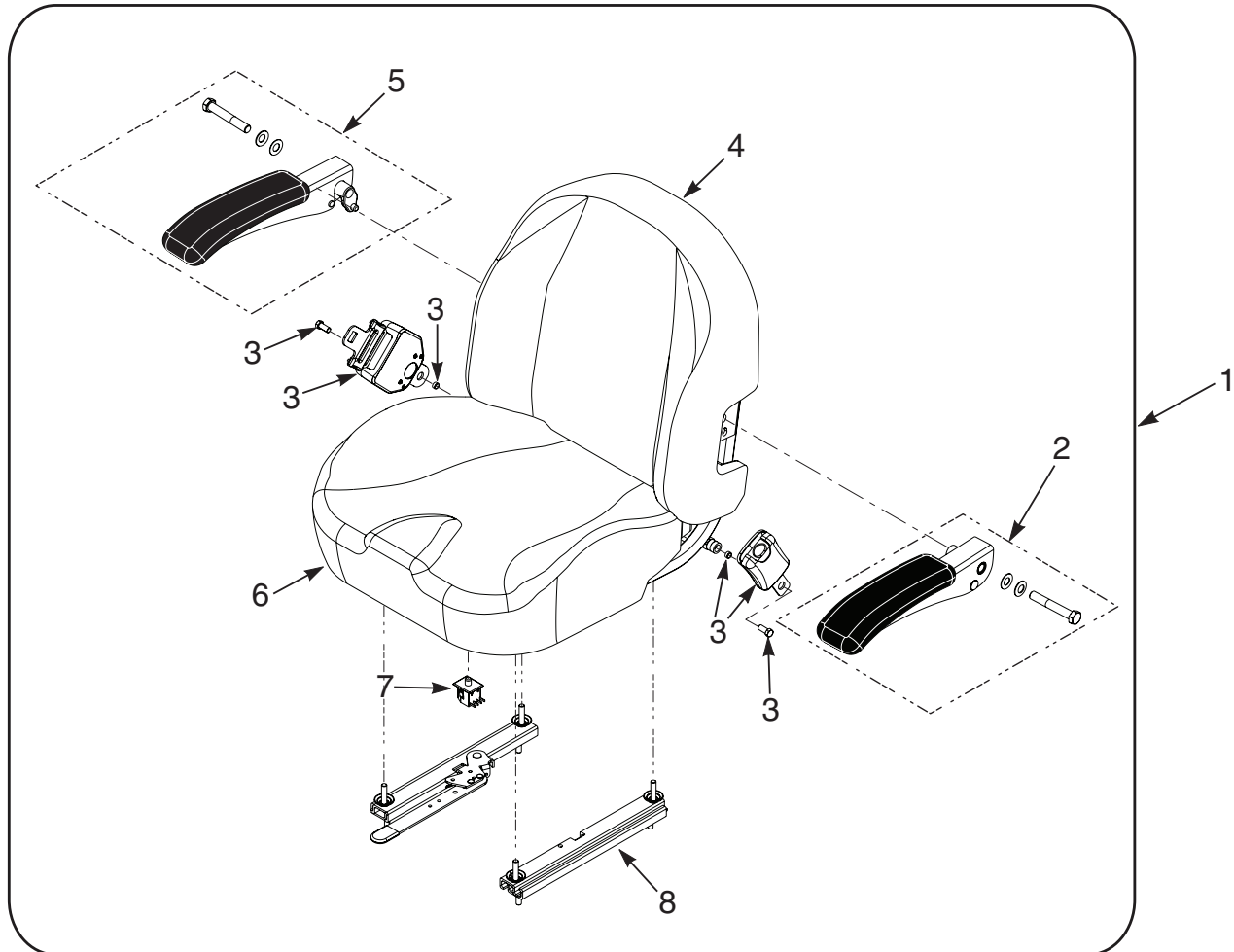
### SHEET METAL COMPONENTS - SPZ



## SHEET METAL COMPONENTS - SPZ

	Part No.	Description	Ref. No.	Part No.	Description
1	484375	Seat Assembly	36	482622	Seal
2	43336	Spacer	37	482621	Bearing
3	483559	Cable, Seat Stop	38	48114-04	Fitting, Grease
4	04021-09	Nut, Elastic Stop 3/8-16	39	481613	Tire, 13 x 5-6 - SPZ52
5	483371	Spring, Seat Latch		482625	Rim - SPZ52
6	451883	Weldment, Seat Latch		482619	Tire, 13 x 6.5-6 - SPZ61
7	04001-100	Bolt, Hex Head 3/8-16 x 6"		482620	Rim - SPZ61
8	452264	Seat Plate Weldment	40	04001-134	Bolt, Hex Head 1/2-13 x 7-1/2"
9	04019-02	Nut, Serrated Flange 1/4-20		04001-167	Bolt, Hex Head 1/2-13 x 9-1/2"
10	425698	Fan Cover, RH	41	43584	Spacer, Caster Wheel
11	425697	Fan Cover, LH	42	43581	Sleeve, Caster Wheel - SPZ52
12	04019-03	Nut, Serrated Flange 5/16-18		43583	Sleeve, Caster Wheel - SPZ61
13	04041-07	Flatwasher, 3/8-.391 x .938 x .105	43	04021-07	Nut, Elastic Stop 1/2-13
14	483372	Spring, Seat	44	451471	Yoke Weldment - SPZ52
15	04003-07	Bolt, Carriage 1/4-20 x 1"		451658	Yoke Weldment - SPZ61
16	04003-12	Bolt, Carriage 5/16-18 x 3/4"	45	481025	Seal, 2" OD x 1.625 ID
17	427122	Bumper - SPZ	46	48668	Bearing Set
18	426053	Guard, Engine	47	04021-20	Nut, Elastic Stop 1"-14
19	04001-19	Bolt, Hex Head 3/8-16 x 1"	48	484195	Grease Cap
20	425696	Anti-Rotation Bracket	49	483493	Rubber Isolator
21	04021-10	Nut, Elastic Stop 5/16-18	50	451889	Footplate Weldment, SPZ52
22	424639	Bracket, Dump Valve		452263	Footplate Weldment, SPZ61
23	04019-04	Nut, Serrated Flange 3/8-16	51	462484	Control PLate w/Decal, RH
24	04001-14	Bolt, Hex Head 1/4-20 x 1"	52	04003-11	Bolt, Carriage 3/8-16 x 1-1/4"
25	04040-14	Flatwasher, 1/4-.312 x .750 x .065	53	462886	Deck Lift Cover w/Decal, SPZ52
26	462483	Control Plate w/Decal, LH		462885	Deck Lift Cover w/Decal, SPZ61
27	04110-01	U-Nut, 1/4-20	54	04001-73	Bolt, Hex Head 5/16-18 x 3-3/4"
28	424511	Bracket, Switch Mount	55	425889	Switch Bracket
29	425890	Bracket, Tank Mount, SPZ52	56	427123	Heat Shield
	425700	Bracket, Tank Mount, SPZ61	57	04001-18	Bolt, Hex Head 3/8-16 x 3/4"
30	462520	Mainframe Assy., w/Decals - SPZ52			
	462443	Mainframe Assy., w/Decals - SPZ61			
31	424480	Support, Deck Guide			
32	43703	Spacer, Bearing			
33	483379	Bearing			
34	04001-31	Bolt, Hex Head 3/8-16 x 2-1/2"			
35	482503	Wheel Assembly - SPZ52			
	482504	Wheel Assembly - SPZ61			

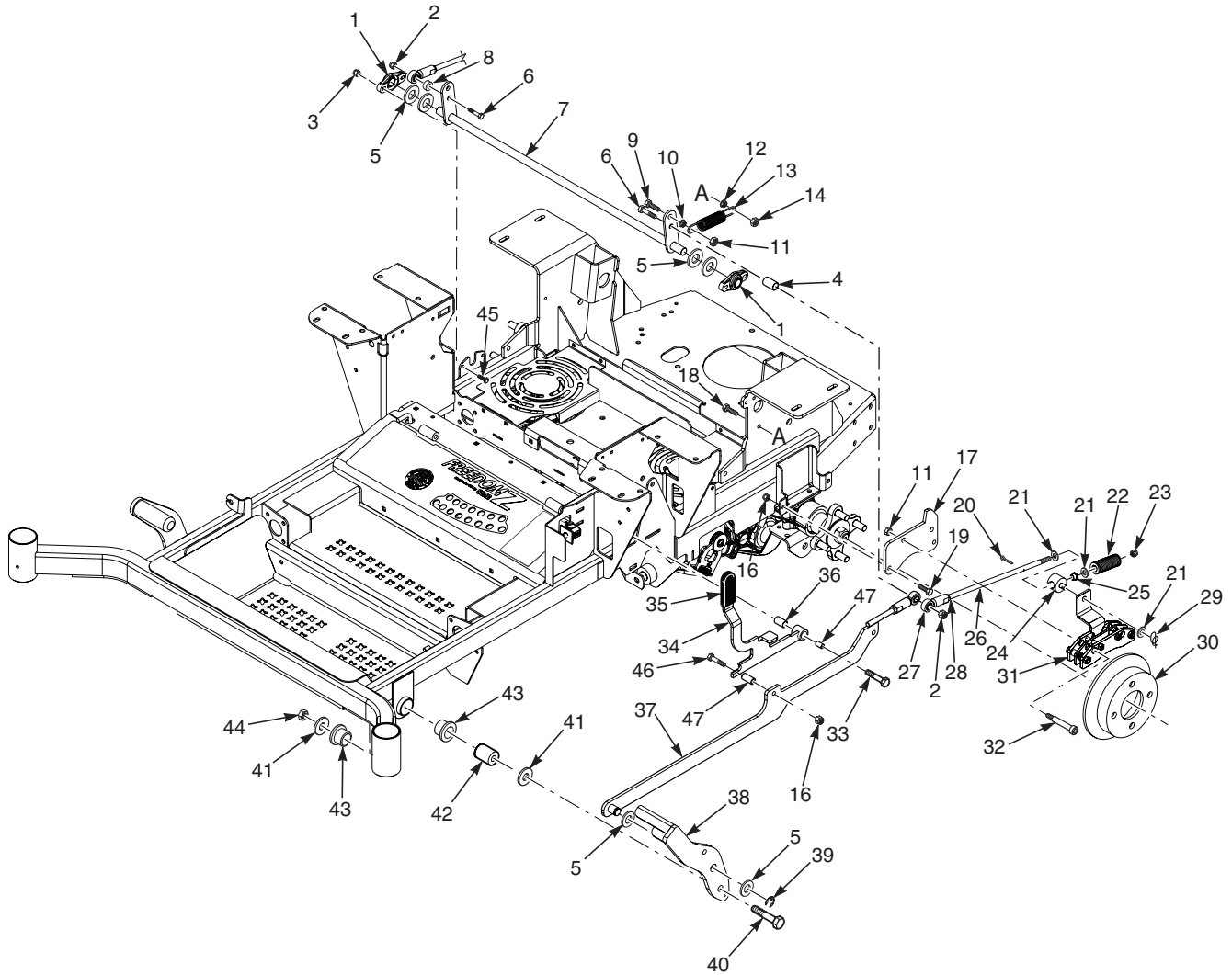
### SEAT ASSEMBLY



Ref. No.	Part No.	Description
1	484375	Seat Assembly
2	484260	Armrest Kit, LH
3	484527	Seatbelt Kit
4	484528	Back Cover
5	484261	Armrest Kit, RH
6	484529	Cushion Cover
7	483473	Switch
8	484526	Track Set

NOTES

### BRAKE COMPONENTS - SPZ

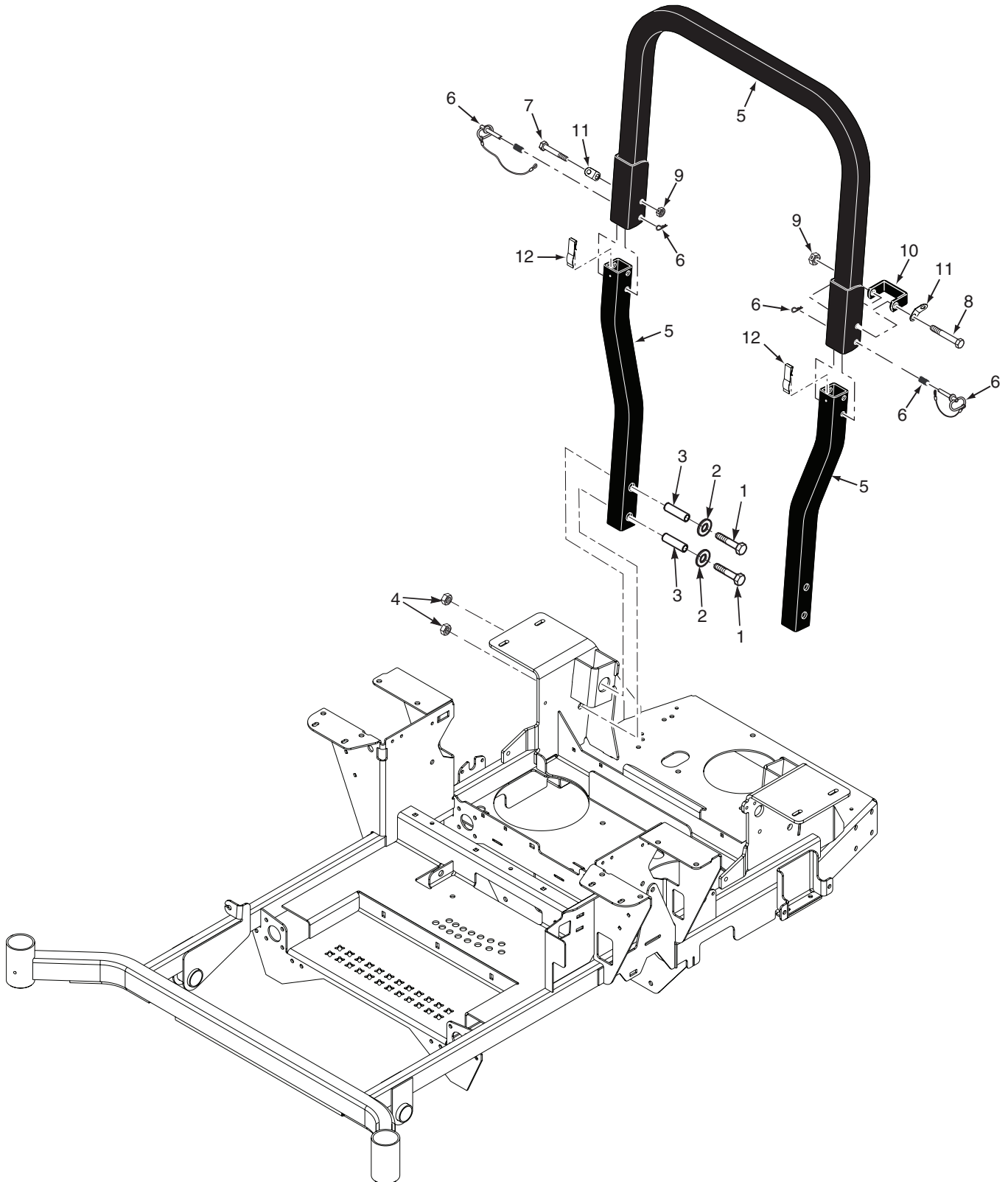




## BRAKE COMPONENTS - SPZ

Ref. No.	Part No.	Description
1	483504	Bearing
2	04021-09	Nut, Elastic Stop 3/8-16
3	04021-08	Nut, Elastic Stop 1/4-20
4	43720	Spacer
5	04040-09	Flatwasher, 5/8-.656 x 1.312 x .095
6	04001-46	Bolt, Hex Head 3/8-16 x 2-1/4"
7	452269	Weldment, Brake Lever
8	43674	Spacer
9	04001-32	Bolt, Hex Head 3/8-16 x 1-1/4"
10	04019-04	Nut, Serrated Flange 3/8-16
11	04021-05	Nut, Center Lock 3/8-16
12	04019-03	Nut, Serrated Flange 5/16-18
13	484038	Spring
14	04021-04	Nut, Center Lock 5/16-18
15	04041-07	Flatwasher, 3/8-.391 x .938 x .105
16	04021-10	Nut, Elastic Stop 5/16-18
17	425680	Mounting Bracket, Brake
18	04001-10	Bolt, Hex Head 5/16-18 x 1-1/4"
19	04001-09	Bolt, Hex Head 5/16-18 x 1"
20	04061-02	Cotter Pin, 3/32 x 3/4"
21	04040-05	Flatwasher, 3/8-.406 x .812 x .065
22	484535	Spring, Brake
23	04021-18	Nut, Elastic Stop 3/8-24
24	462452	Swivel Assembly, Brake
25	483453-23	Bearing
26	04004-54	Link, Brake
27	482330	Rod End
28	04020-25	Nut, 3/8-24 UNF Jam
29	04069-01	Pin, Rue Cotter - 3/8" Dia.
30	43853	Brake Hub
31	483701	Brake Caliper
32	04009-17	Bolt, Shoulder 1/2 x 2-1/2"
33	04009-16	Bolt, Shoulder 1/2 x 2"
34	462485	Latch Assembly, Brake (incl. # 35, #36)
35	482102	Grip, Brake Lever
36	483453-22	Bearing
37	462419	Linkage Weldment Assembly, Brake
38	452278	Brake Pedal Weldment
39	04050-01	Retaining Ring, .625 Ext. "E"
40	04001-74	Bolt, Hex Head 1/2-13 x 3"
41	04040-13	Flatwasher, 1/2-.562 x 1.375 x .109
42	43710	Sleeve
43	483453-03	Bearing
44	04021-19	Nut, Center Lock 1/2-13
45	04001-14	Bolt, Hex Head 1/4-20 x 1"
46	04001-12	Bolt, Hex Head 5/16-18 x 1-3/4"
47	43866	Sleeve, Handle Pivot

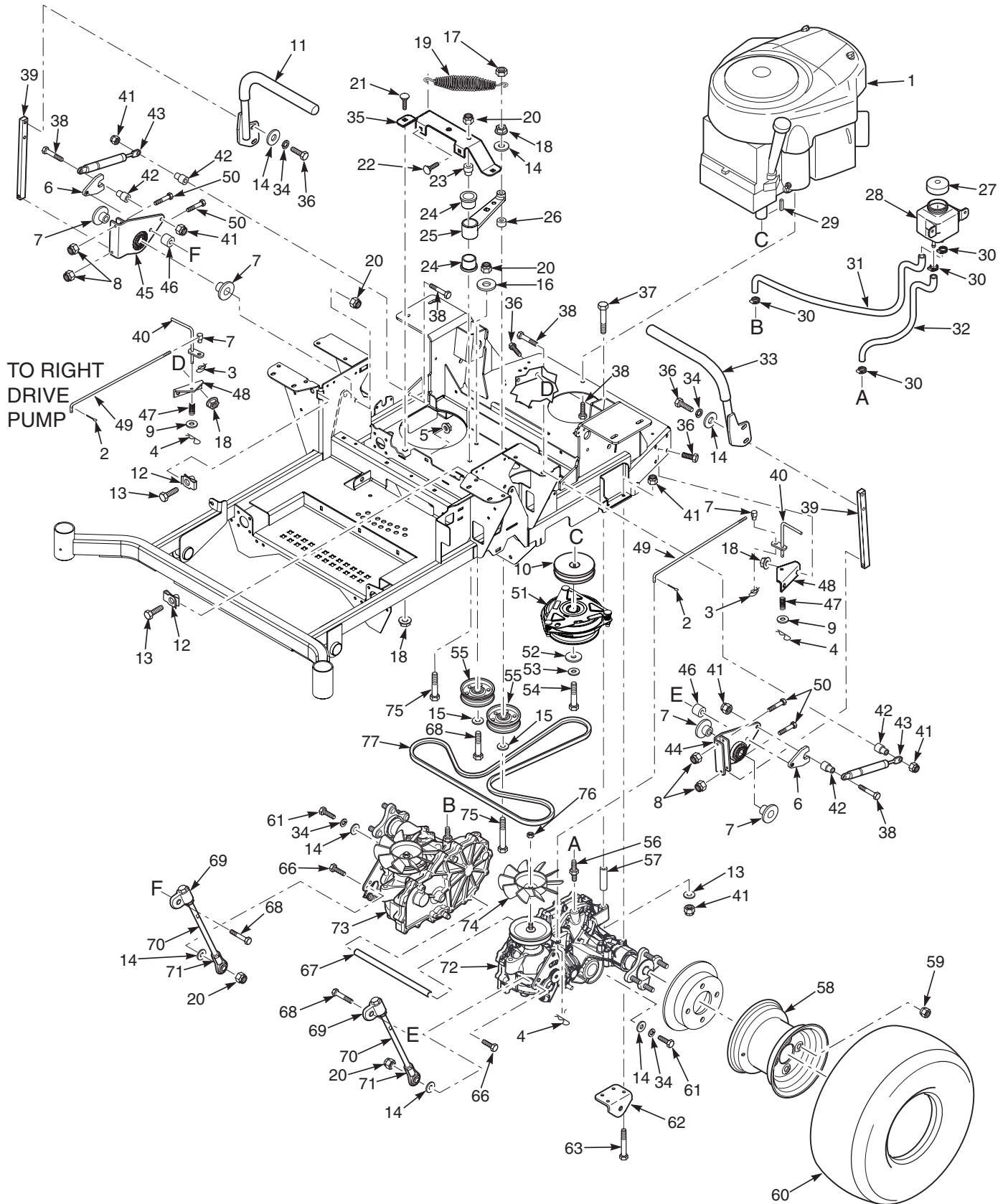
### SPZ ROLL-OVER PROTECTION SYSTEM



**SPZ ROLL-OVER PROTECTION SYSTEM**

<b>Ref. No.</b>	<b>Part No.</b>	<b>Description</b>
1	04001-197	Bolt, Hex Head 1/2-13 x 3" Gr. 8
2	04040-07	Flatwasher, 1/2 - .531 x 1.062 x .095
3	43743	Bushing, SFZ ROPS
4	04117-04	Nut, Flanged Elastic Stop, 1/2-13
5	462558	ROPS
6	484167	Pin Assembly, ROPS Hinge
7	04001-90	Bolt, Hex Head 1/2-13 x 3-1/4"
8	04001-154	Bolt, Hex Head 1/2-13 x 3-1/2"
9	04021-19	Nut, 1/2-13 Center Lock
10	485722	Stop, ROPS
11	484169	Clip, ROPS
12	484167	Spring, ROPS

### DRIVE SYSTEM COMPONENTS - SPZ52 & SPZ61

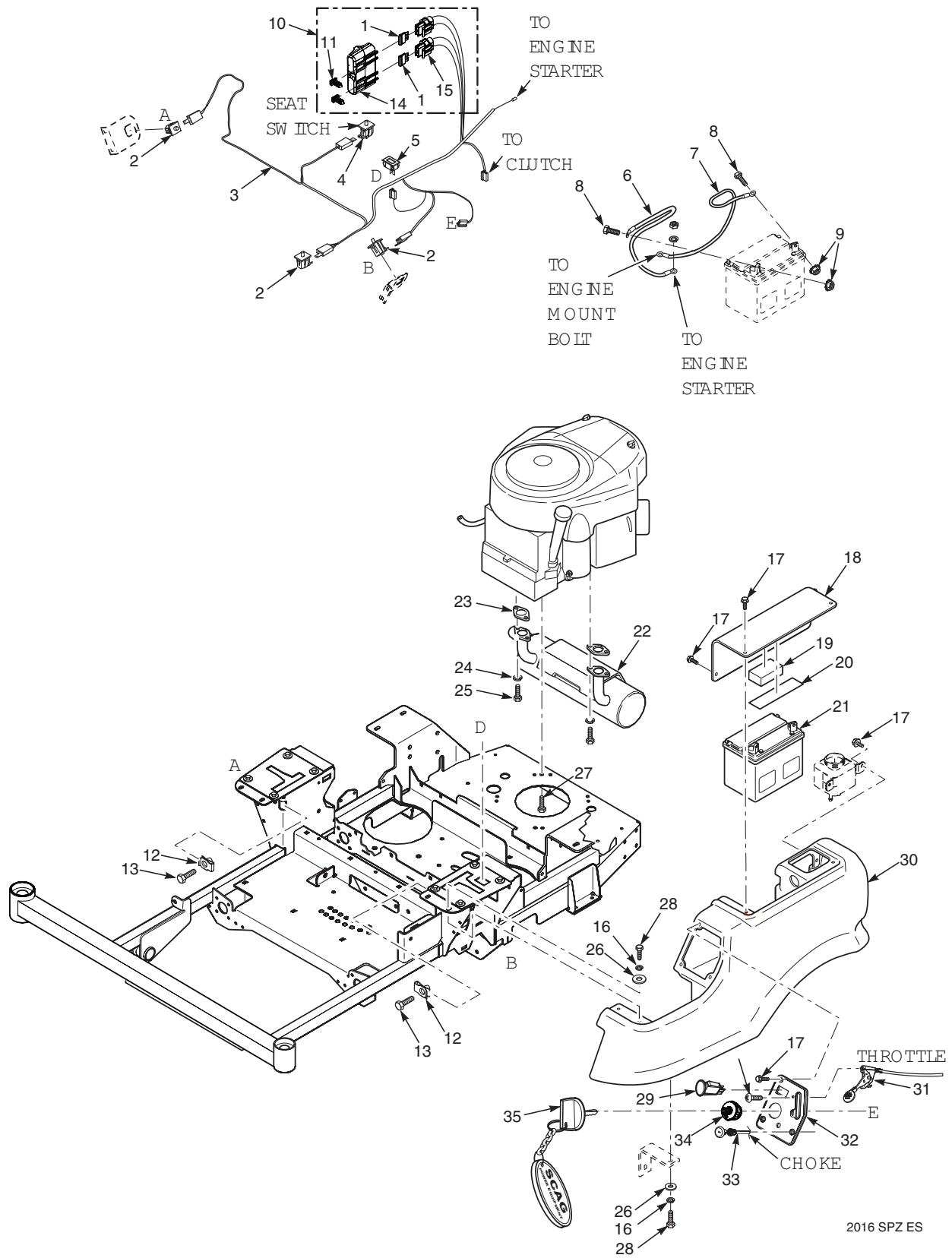


## DRIVE SYSTEM COMPONENTS - SPZ52 &amp; SPZ61

Ref. No.	Part No.	Description
1	485706 485707	Engine, Kawasaki - 22FX Engine, Kawasaki - 24FX
2	04061-01	Cotter Pin, 3/32 x 1"
3	04069-01	Pin, Rue Cotter 3/8" Dia.
4	04062-02	Hair Pin, .080 x 1.19"
5	04019-03	Nut, Serrated Flange 5/16-18
6	424687	Nut, Control Link
7	43719	Spacer, Linkage
8	04021-08	Nut, Elastic Stop 1/4-20
9	04040-14	Flatwasher, 1/4-.312 x .750 x .065
10	484646 484373	Pulley, 4-1/2" OD - 1.125 Bore (SPZ52) Pulley, 5" OD - 1.125 Bore (SPZ61)
11	462371 484376	Handle Bar w/Grip Grip
12	04110-03	U-Nut, 3/8-16
13	04107-01	Bolt, Hex Head 3/8-16 x 1-1/4" Special Lock
14	04041-07	Flatwasher, 3/8-.391 x .938 x .105
15	04043-04	Flatwasher, 3/8-.391 x .938 x .105 HD
16	04041-11	Flatwasher, 3/8-.406 x 1.5 x 7 GA.
17	04021-05	Nut, Center Lock 3/8-16
18	04019-04	Nut, Serrated Flange 3/8-16
19	483087	Spring, Transmission Idler
20	04021-09	Nut, Elastic Stop 3/8-16
21	04003-31	Bolt, Carriage 3/8-16 x 3/4"
22	04003-12	Bolt, Carriage 5/16-18 x 3/4"
23	43715	Shaft Pivot, Idler Arm
24	483453-04	Bearing
25	462122	Transmission Idler Arm Assembly
26	43674 43720	Spacer, Idler Pulley - SPZ52 Spacer, Idler Pulley - SPZ61
27	483514	Cap
28	483438	Reservoir Assembly
29	04063-24	Key, 1/4 x 1/4 x 2-3/4"
30	48136-05	Clamp, 0.87" Max Dia.
31	483431	Hose, RH Transmission
32	483432	Hose, LH Transmission
33	462370 484376	Handle Bar Assembly, w/Grip Grip
34	04030-04	Lockwasher, 3/8" Spring
35	424476	Support, Idler Arm
36	04001-19	Bolt, Hex Head 3/8-16 x 1"
37	04001-95	Bolt, Hex Head 5/16-18 x 5"
38	04001-11	Bolt, Hex Head 5/16-18 x 1-1/2"
39	424498	Bar, Control Lever
40	451912	Dump Valve Lever
41	04021-10	Nut, Elastic Stop 5/16-18
42	43602	Spacer, Pump Dampener
43	484151	Dampener
44	462127	Control Link, LH
45	462128	Control Link, RH
46	43674	Spacer
47	482070	Spring
48	424639	Bracket, Dump Mounting

Ref. No.	Part No.	Description
49	44162	Linkage, Dump Valve
50	04001-04	Bolt, Hex Head 1/4-20 x 1-1/2"
51	462228	Electric Clutch Assembly - SPZ52 & SPZ61
52	04041-28	Flatwasher, 7/16-.469 x 1.75 x .25
53	04041-28	Lockwasher, 7/16" spring
54	04102-08	Bolt, Hex Head 7/16-20 x 1-1/2" Patch SPZ-61
55	483638	Pulley, 3-1/2" Dia.
56	482800-02 482800-04	Fitting, Transmission - SPZ52 Fitting, Transmission - SPZ61
57	43700 43857	Spacer, Axle - SPZ52 Spacer, Axle - SPZ61
58	481659 482414	Rim w/Valve Stem (52) Rim w/Valve Stem (61)
59	04028-02	Wheel Nut, 1/2-20
60	484554 484555 481659 484465 484466 484056	Wheel Assembly, 22 x 9.5-12 (SPZ52) Tire, 22 x 9.5-12 (SPZ52) Rim (SPZ52) Wheel Assembly, 23 x 9.5-12 (SPZ61) Tire, 23 x 9.5-12 (SPZ61) Rim (SPZ61)
61	04001-46	Bolt, Hex Head 3/8-16 x 2-1/4"
62	424489	Bracket, Pusharm Link
63	04001-49	Bolt, Hex Head 5/16-18 x 3"
64	*	Clip, Brake Lever (order through Hydro-Gear)
65	*	Lever, Brake (order through Hydro-Gear)
66	04001-32	Bolt, Hex Head 3/8-16 x 1-1/4"
67	43701	Spacer, Axle
68	04001-45	Bolt, Hex Head 3/8-16 x 2"
69	483563 04020-25	Rod End, Adjustable 3/8-24 Nut, Jam 3/8-24 UNF RH
70	483668 484405	Linkage, Pump - SPZ52 Linkage, Pump - SPZ61
71	483575	Stake, Rod End Assembly
72	484449  484454	Transaxle Assy., LH (ZL-KCEF-3LKG-1NXX) SPZ52 Transaxle Assy., LH (ZS-KCEE-3LKG-11XX) SPZ61
73	484450  484455	Transaxle Assy., RH (ZL-GCEF-3LKG-1NXX) SPZ52 Transaxle Assy., RH (ZS-GCEE-3LKF-11XX) SPZ61
74	*	Fan (order through Hydro-Gear)
75	04001-54	Bolt, Hex Head 3/8-16 x 3"
76	*	Fan Nut (order through Hydro-Gear)
77	483314 484372	Belt, Transmission Drive - SPZ52 Belt, Transmission Drive - SPZ61

### EXHAUST AND ELECTRICAL SYSTEM - SPZ



2016 SPZ ES

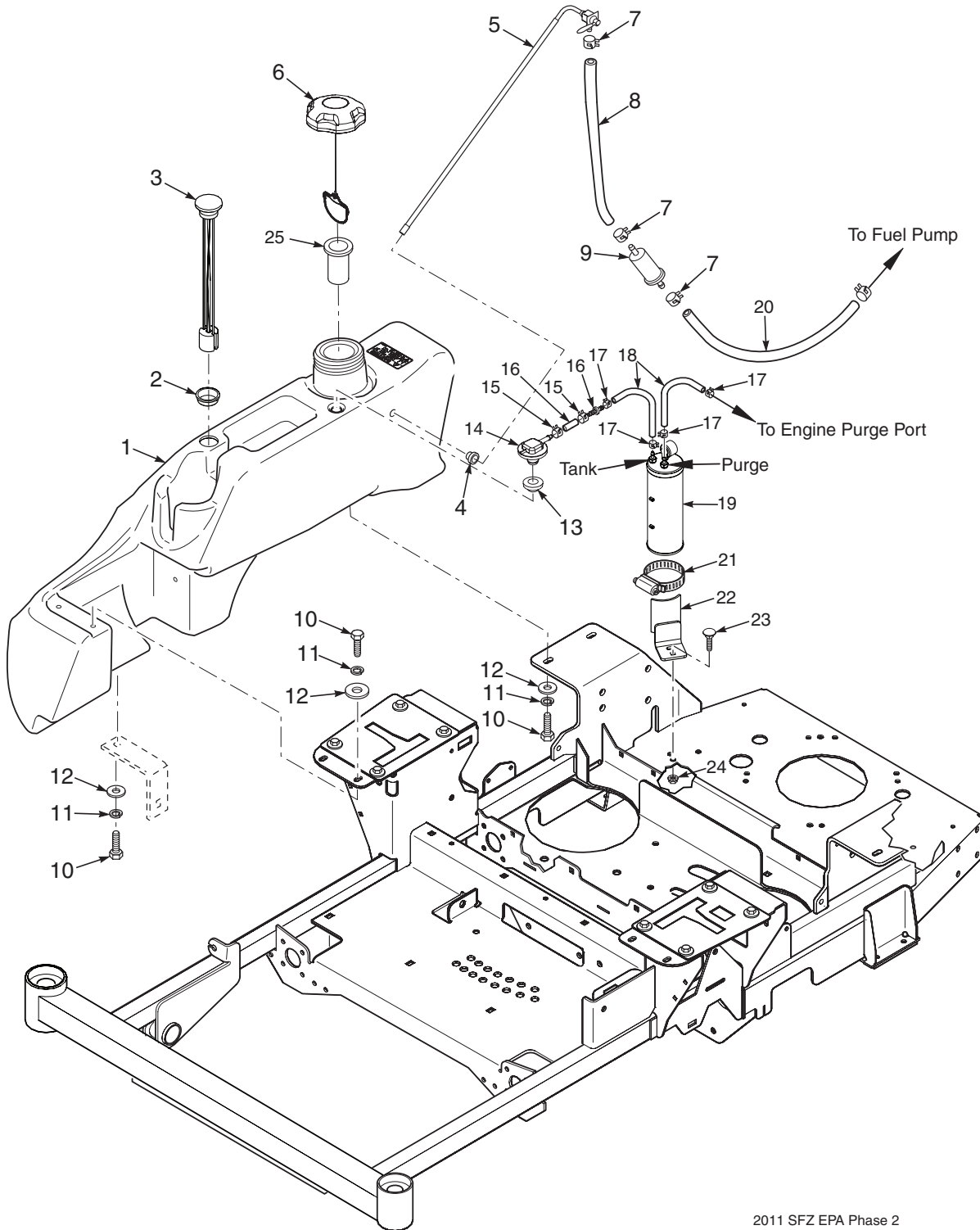
## EXHAUST AND ELECTRICAL SYSTEM - SPZ

Ref. No.	Part No.	Description
1	48298	Fuse, 20 amp
2	483473	Switch
3	484433	Wire Harness, Main
	483529	Wire Harness Adapter, Kawasaki (not shown)
4	483473	Switch, Seat
5	484565	Hourmeter
6	48029-13	Battery Cable, Red 25"
7	48029-11	Battery Cable, Black 27"
8	04001-44	Bolt, Hex Head 1/4-20 x 1/2"
9	04020-02	Nut, 1/4-20
10	483642	Double Fuse Assy. (incl. items 1, 14, 15, 46)
11	482588	Clip, Wire
12	04110-03	U-Nut, 3/8-16
13	04107-03	Bolt, Hex Head 3/8-16 x 1-1/4" Special Lock
14	483571	Cover, Sealed Double
15	483629	Fuse Holder
16	04030-03	Lockwasher, 5/16" Spring
17	04017-04	Bolt, Hex Head 1/4-20 x 1/2" Serr. Flange
18	461996	Battery Cover (incl. items 19 & 20)
19	483452	Pad, Battery Hold Down
20	483508	Rubber Pad
21	483665	Battery (not avail. through Scag)
22	484209	Muffler, Kawasaki
23	**	Exhaust Gasket
24	**	Lockwasher
25	**	Bolt
26	04040-15	Flatwasher, 5/16-.375 x .875 x .083
27	04001-32	Bolt, Hex Head 3/8-16 x 1-1/4" (Kawasaki)
	04030-04	Lockwasher, 3/8" Spring (Kawasaki)

Ref. No.	Part No.	Description
28	04001-08	Bolt, Hex Head 5/16-18 x 3/4"
29	483957	PTO Switch
30	485709	Tank, LH - SPZ
31	483434	Throttle Cable
32	462036	Instrument Panel w/Decal
33	483435	Choke Cable
34	483472	Ignition Switch
35	483366	Key, Ignition
	483609	Key w/Shroud
	462069	Key Assembly w/Fob

\*\* Available through individual engine manufacturer.

### SPZ FUEL SYSTEM



2011 SFZ EPA Phase 2

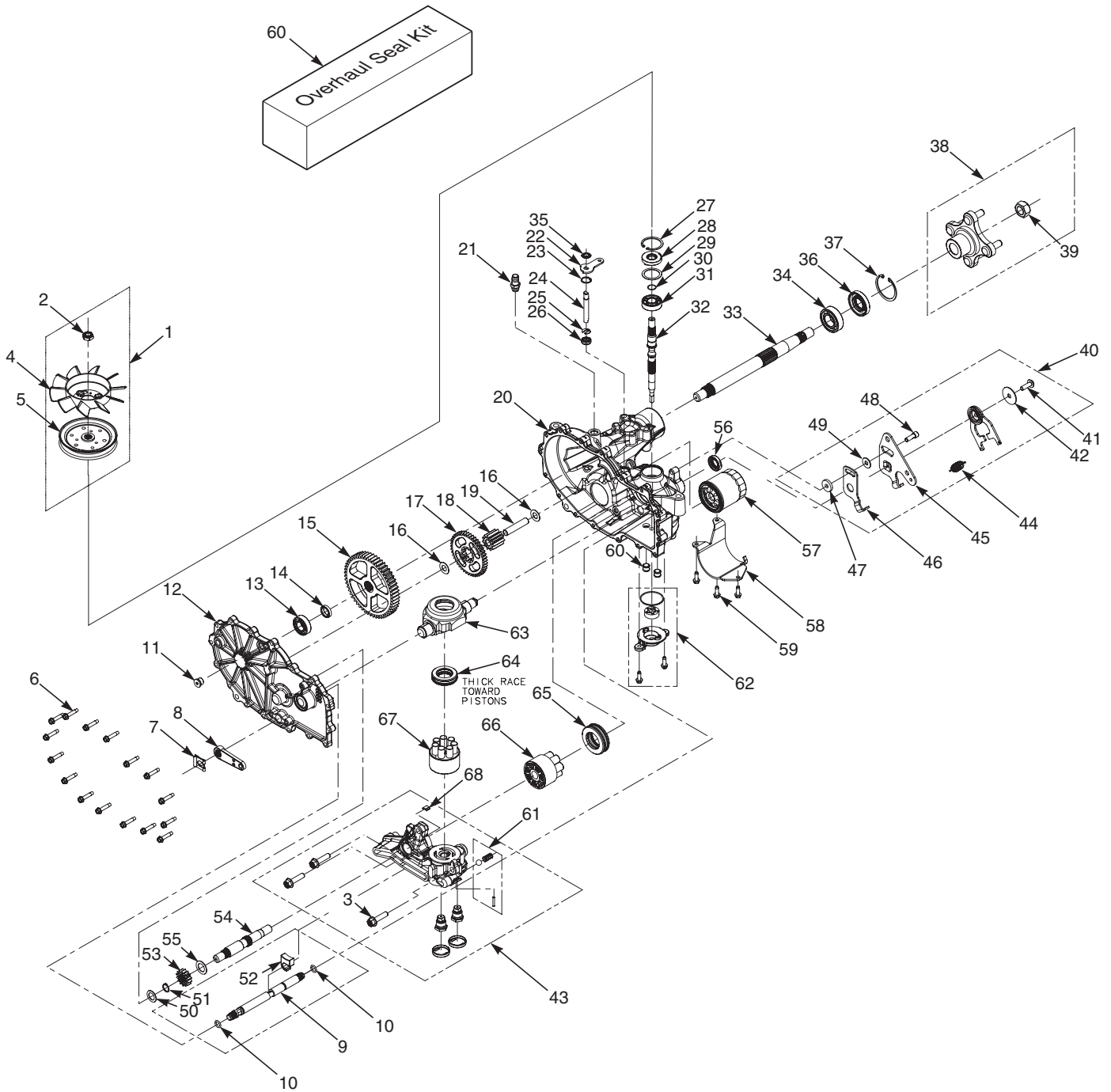


## SPZ FUEL SYSTEM

Ref. No.	Part No.	Description
1	462882	Fuel Tank Assembly - SPZ
2	484242	Grommet, Fuel Gauge
3	484243	Fuel Gauge Assembly
4	482571	Bushing, .56 Dia. Viton
5	483555	Fuel Tube Assembly
6	484286	Fuel Cap, Tethered
	484297	Fuel Cap w/Tethered - California Models Only (not shown)
7	48059-01	Clamp, Fuel Hose 1/4"
8	483617	Fuel Hose, 1/4" Non-Perm (order by inch)
9	*	Fuel Filter
10	04001-08	Bolt, Hex Head 5/16-18 x 3/4"
11	04030-03	Lockwasher, 5/16" Spring
12	04040-15	Flatwasher, 5/16-.375 x .875 x .083
13	484285	Grommet, Viton
14	484333	Remote Vent
15	48059-02	Clamp, Fuel Hose 7/32"
16	484347	Hose, 1/4" Vapor Recovery (order by inch)
17	48059-05	Clamp, Vapor Recovery Hose
18	484345	Hose, 3/16" (order by inch)
19	484342	Carbon Canister
20	*	Fuel Hose
21	48136-17	Clamp, Hose
22	452226	Bracket Weldment, SFZP52
	452233	Bracket Weldment, SFZP61
23	04003-12	Bolt, Carriage 5/16-18 x 3/4"
24	04019-03	Nut, Serrated Flange 5/16-18
25	484279-01	Tube, Fuel Tank Insert
26	484343-01	Mender, 1/4 x 3/16 w/0.02 Hole

\* = Available through engine manufacturer only.

### ZT-3100 HYDRAULIC AXLE ASSEMBLY - SPZ52

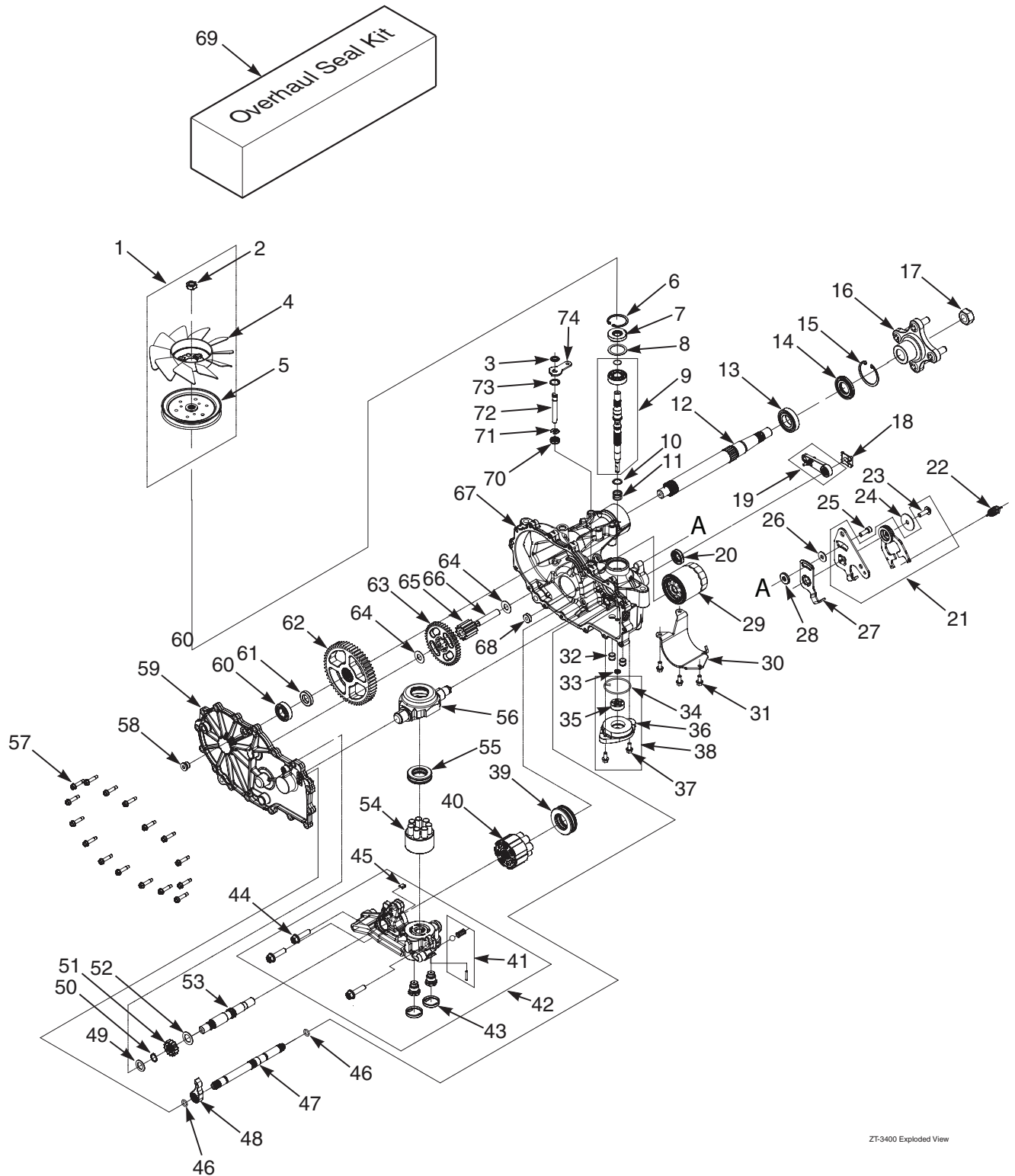


## ZT-3100 HYDRAULIC AXLE ASSEMBLY - SPZ52

Ref. No.	Part No.	Description
1	HG72125	Kit, Fan & Pulley
2	HG51244	Nut, Hex Locking 1/2-20
3	HG52137	Bolt, Hex Head 3/8-16 x 1-1/2" Patch
4	HG53823	Fan, 7" Dai. (10 Blade)
5	HG52364	Pulley, Cupped 4-1/2" Dia.
	HG52366	Hub, Pulley
6	HG51190	Bolt, Hex Head 1/4-20 x 1-1/4"
7	HG52027	Clip, Retaining
8	HG52639	Handle, Brake
9	HG52640	Shaft, Brake
10	HG51804	O-Ring
11	HG9005110-5600	Plug, 9/16-18
12	HG71572	Kit, Side Cover RH
	HG71574	Kit, Side Cover LH
13	HG44121	Bearing, Ball .75 x 40 x 12
14	HG52161	Spacer, .75 x 1.0 x .257
15	HG52108	Gear, 54T
16	HG50132	Washer, .5 x 1.0 x .03
17	HG52110	Gear, 45T
18	HG52586	Gear, 11T
19	HG51083	Jackshaft Pin
20	HG71413	Kit, Housing RH
	HG71421	Kit, Housing LH
21	482800-03	Fitting
22	HG51329	Arm, By-Pass
23	HG51627	Ring, Retaining .750 Internal
24	HG52136	Rod, By-Pass
25	HG51628	Ring, Retaining .375 External
26	HG51626	Seal, Lip .375 x .75 x .25
27	HG50329	Ring, Retaining 2.06 Internal
28	HG51161	Seal, Lip 17 x 40 x 7
29	HG50951	Washer, 1.23 x 1.56 x .04
30	HG2000022	Ring, Retaining Wire
31	HG50315	Bearing, Ball 17 x 40 x 12 Open
32	HG52155	Shaft, Input
33	HG71569	Shaft Kit, Axle
34	HG50771	Bearing, Ball 1.0 x 52 x 15 Open
35	HG51630	Ring, Retaining .375 External

Ref. No.	Part No.	Description
36	HG50772	Seal, Lip 25 x 52 x 10 TC Gray
37	HG50859	Ring, Retaining 2.06 Internal
38	HG71505	Hub Kit
39	HG50863	Nut, Hex Locking
40	HG71595	Kit, RTN Assembly (Does not include #44, 46, 47, 48, 49)
41	HG51812	Bolt, 5/16-24 x 1" Patch
42	HG51950	Washer, .343 x 1.5 x .062
43	HG71565	Kit, Center Section RH
	HG71566	Kit, Center Section LH
44	HG51605	Spring
45	HG52682	Arm, Control
46	HG51945	Arm, Neutral RH
	HG51946	Arm, Neutral LH
47	HG52527	Spacer, .320 x 1.005 x .179
48	HG51616	Bolt, 5/16-24 x 1" Patch
49	HG44130	Washer, .34 x .88 x .06
50	HG44371	Washer, .63 x 1.0 x .05
51	HG44145	Ring, Retaining
52	HG52641	Pawl, Brake
53	HG52341	Gear, 14T
54	HG52150	Shaft, Motor
55	HG51069	Washer, .72 x 1.16 x .04
56	HG51140	Seal, Lip 18 x 32 x 7
57	HG52114	Filter
58	HG52257	Filter Guard
59	HG50752	Bolt, 1/4-20 x 3/4"
60	HG71410	Seal Kit
61	HG71436	Kit, Charge Relief
62	HG71411	Kit, Charge Pump
63	HG51048	Trunnion Swashplate
64	HG50551	Thrust Bearing
65	HG51462	Thrust Bearing
66	HG71579	Kit, Motor Cylinder Block
67	HG70723	Kit, Cylinder Block
68	HG71448	Plate, By-Pass
69	HG71436	Kit, Charge Relief

### ZT-3400 HYDRAULIC AXLE ASSEMBLY - SPZ61



## ZT-3400 HYDRAULIC AXLE ASSEMBLY - SPZ61

Ref. No.	Part No.	Description	Ref. No.	Part No.	Description
1	HG71907	Kit, Fan & Pulley	40	HG71579	Assembly, Cylinder Block
2	HG44133	Nut, Elastic Stop 1/2-20	41	HG71436	Kit, Charge Relief
3	HG51523	Washer, OD Slotted .53 x 1.63 x .06	42	HG71972	Kit, Center Section (Right Side)
4	HG52747	Fan, 7" (10 Blade)		HG71973	Kit, Center Section (Left Side)
5	HG53435	Pulley"	43	HG52162	Seal, Plug 1.250 x .250
6	HG53029	Ring, Retaining	44	HG52137	HFHCS, 3/8-16 X 1-1/2" Patch
7	HG51161	Seal, Lip 17 x 40 x 7	45	HG51448	Plate, By-Pass
8	HG50951	Washer, 1.23 x 1.56 x .04	46	HG51804	O-Ring, -111 x .103 x 424
9	HG71978	Kit, Input Shaft	47	HG42640	Shaft, Brake
10	HG2003017	Washer, Flat .59 x .79 x .04	48	HG52776	Pawl, Brake
11	HG2003014	Spring, Block	49	HG44371	Washer, .63 x 1 x .05
12	HG53528	Shaft, Axle	50	HG44145	Ring, Retaining .625
13	HG50771	Bearing, Ball 25.4 x 52 x 15	51	HG52342	Gear, 13T Steel
14	HG50772	Seal, Lip 1 x 2.049 x .375	52	HG51069	Washer, .72 x 1.16 x .04
15	HG50859	Ring, Retaining 2.06 Internal	53	HG52150	Shaft, Motor
16	HG71405	Hub, 4-Bolt	54	HG71971	Assembly, Block 7 Piston
17	HG50863	Nut, Hex Lock 3/4-16	55	HG53502	Bearing, Thrust
18	HG52027	Clip, Retaining	56	HG51048	Trunnion, Swashplate
19	HG52639	Handle, Brake Actuating	57	HG53246	HFHCS, 1/4-20 x 1-1/8"
20	HG51140	Seal, Lip 12 x 32 x 7	58	HG9005110	Plug, 9/16-18
21	HG71595	Kit, RTN Bi-Directional (Left Side)		-5600	
	HG71598	Kit, RTN Bi-Directional (Right Side)	59	HG71990	Kit, Cover (Right Side)
22	HG51605	Spring, RTN		HG71992	Kit, Cover (Left Side)
23	HG51812	Bolt, Hex Head Cap Screw 5/16-24 x 1" Patch	60	HG44121	Bearing, Ball .75 x 40 x 12
24	HG51950	Washer, .343 x 1.5 x .062	61	HG53336	Spacer, .750 x 1.320 x .257
25	HG51616	Bolt, Hex Head Cap Screw 5/16-24 x 1" Patch	62	HG43327	Gear, 54T
26	HG44130	Washer, .34 x .88 x .06	63	HG52110	Gear, 45T
27	HG51945	Arm, Neutral (Right Side)	64	HG50132	Washer, .5 X 1 X .03
	HG51946	Arm, Neutral (Left Side)	65	HG52341	Gear, 14T Steel
28	HG52527	Spacer, .320 x 1.005 x .179	66	HG51083	Jackshaft Pin
29	HG52114	Filter, Oil	67	HG72025	Kit, Housing Main (Right Side)
30	HG52257	Guard, Filter (Right Side)		HG72026	Kit, Housing Main (Left Side)
	HG52247	Guard, Filter (Left Side)	68	HG51100	Magnet, Ring
31	HG53464	Screw, Hex Flange 1/4-20 x .625	69	HG71976	Seal Kit
32	HG52157	Tube, Connecting	70	HG51626	Seal, Lip .375 x .75 x .25
33	HG53456	Seal, Lip 8 x 12 x 3-VC	71	HG51628	Ring, Retaining .375 External
34	HG52250	O-Ring, -137 x .103 x 2.050	72	HG52136	Rod, By-Pass
35	HG50273	Gerotor Assembly (1.9 cc)	73	HG51677	Ring, Retaining .750 Internal
36	HG53468	Cover, Charge Pump	74	HG51629	Arm, By-Pass
37	HG53464	Screw, Hex Flange 1/4-20 x .625	75	HG51630	Ring, Retaining .375 External
38	HG71977	Kit, Charge Pump			
39	HG51462	Bearing, Thrust			

### REPLACEMENT DECALS AND INFORMATION PLATES

**WARNING**  
 **INSTALL BELT COVER BEFORE OPERATING MACHINE**  
 READ OPERATOR'S MANUAL 483402 1

**WARNING**  
**DO NOT OPERATE WITHOUT DISCHARGE CHUTE, MULCHING KIT, OR ENTIRE GRASS CATCHER INSTALLED** 483405 2

**IMPORTANT**  
 Operation on slopes can be hazardous.  
 This machine was originally equipped with a Rollover Protection Device with a Roll Bar and Seat Belt.  
 See your dealer if either is missing or damaged. 483425 3

**DANGER**  
  
  
**SPINNING BLADES**  
 KEEP CLEAR  
  
**BLADE CONTACT & THROWN OBJECTS CAN INJURE** 4

**FORWARD**  
 **F**  
**REVERSE**  
**R**  5

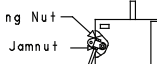
**WARNING**  
 Replace seat only with Scag approved seat with seat mounting provisions and Scag approved seat belts.  
 Failure to follow these directions could result in injury or death in the event of a rollover. 483406 6

**61**  
**COMMERCIAL GRADE** 7

**WARNING**  
**ROTATING BLADES AND BELTS**  
 \* Keep hands, feet & clothing clear  
 \* Keep all guards in place  
 \* Shut off engine & disengage blade clutch before servicing  
 \* Use caution in directing discharge  
 \* Read instruction manual before operating  
**DO NOT OPERATE UNLESS GRASS CATCHER, MULCHING KIT OR DISCHARGE CHUTE IS INSTALLED** 483406 8

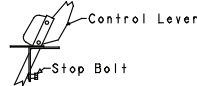
**IMPORTANT ADJUSTMENT PROCEDURES**  
 READ OPERATORS MANUAL FOR MORE DETAILS  
 Check tire pressure - Drive tires-8 psi -  
 - Caster tires-25 psi

**FREE WHEEL OPERATION**  
 To move machine without running engine, pull both dump valve rods up and back (located at rear of machine) and latch. Pull rods forward and latch into front slot to operate mower.

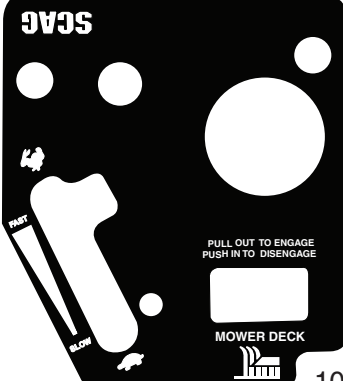
**NEUTRAL ADJUSTMENT**  
 Adjusting Nut  
  
 Jamnut  
 To re-set neutral, loosen jamnut. With operator in seat, control levers in neutral and brake off, turn adjusting bolt until wheel doesn't creep. Tighten jam nut. Repeat for opposite side. If wheels still creep after adjustment, see an authorized Scag dealer.

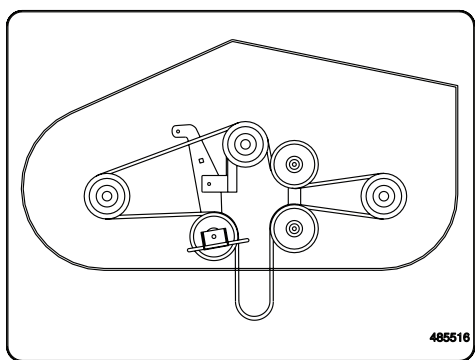
**HYDRAULIC FLUID LEVEL**  
 Check hydraulic fluid level while fluid is cool. Fluid level should be in sight window. Fill with 20W50 motor oil only.


**IMPORTANT**  
 Do not overfill. Room for hot fluid expansion must be allowed or resulting expansion may cause leaks in the system

**TRACKING ADJUSTMENT**  
  
 Control Lever  
 Stop Bolt  
 If machine pulls to right, adjust LH control stop bolt CW (Inward) to slow left wheel down.  
 If machine pulls to left, adjust RH control stop bolt CW (Inward) to slow right wheel down.

483660 9

**SCAG**  
  
 PULL OUT TO ENGAGE  
 PUSH IN TO DISENGAGE  
**MOWER DECK** 10



**PARKING BRAKE**   
 TO ENGAGE PARKING BRAKE:  
 \*Fully depress foot pedal  
 \*Pull back and hold latch handle while releasing pedal  
 TO DISENGAGE PARKING BRAKE:  
 \*Depress and release pedal 484461 13

## REPLACEMENT DECALS AND INFORMATION PLATES

Ref. No.	Part No.	Description
1	483402	Decal, Belt Cover
2	483405	Decal, Warning
3	483425	Decal, ROPS
4	483505	Decal, Spinning Blades
5	481568	Decal, Traction Control
6	483633	Decal, Seat Replacement
7	483495	Decal, 52 Commercial
	484044	Decal, 61 Commercial
8	483406	Decal, Knives
9	483660	Decal, Adjustment SPZ
10	483499	Decal, Instrument Panel
11	485714	Decal, Front SPZ
12	485713	Decal, Cutting Height - SPZ
13	484461	Decal, Brake
14	485708	Decal, SFZ / SPZ Replacement Parts
15	485516	Decal, SZL / SFZ / SPZ Belt Routing
*	483900	Decal, Warning Spark Arrestor (California only) - not shown
*	462155	Spanish Decal Kit - SFZ / SPZ (not shown)
*	01411	DVD Video, Tips for Safe Operation of Your Scag Zero-Turn Mower (not shown)

# SCAG PATRIOT

11

START/DRIVE PROCEDURE

- Engage parking brake drive
- Change mower deck drive to neutral position
- Start engine
- Release parking brake
- Select forward or reverse with hydro control levers

DECK LATCH RELEASE

**WARNING**

AVOID SEVERE INJURY OR DEATH. Read the Operator Manual in English or Spanish. Operate only on slopes you can safely stop blades and deck cover slowly. If mowing stops going uphill, avoid sudden turns. Do not mow near children or other persons. Never carry children even with blades off. Look down and behind before mowing. Keep safety decals (guards, shields, switches, etc.) in place. Remove objects that could be thrown by the blades. Read manual operators only.

12

*Always use original Scag replacement parts for top machine performance and to maintain factory warranty.*

**SCAG** Replacement Parts Numbers **FREEDOM Z** **PATRIOT**

Belt, Transmission Drive (48" & 62")	483314	Standard Blade, Cutter (48")	482877
Belt, Transmission Drive (61")	484372	Standard Blade, Cutter (52")	482878
Belt, Cutter Deck (48")	483325	Standard Blade, Cutter (61")	482879
Belt, Cutter Deck (52")	483326	Filter, Hydraulic (25 micron)	HG52114
Belt, Cutter Deck (61")	484031		

See your authorized Scag dealer for engine part numbers.

14

### SPZ - ELECTRICAL SCHEMATIC

(shown with Key Off, PTO Off, Park Brake Applied, Control Handles in Neutral, Seat Switch Disengaged)

