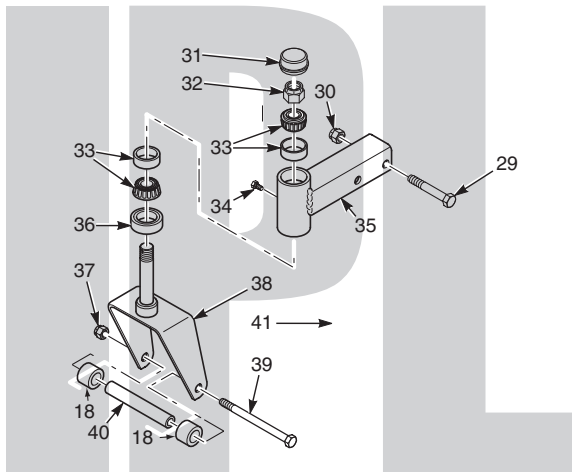


SCAG[®]

POWER EQUIPMENT



ILLUSTRATED PARTS MANUAL



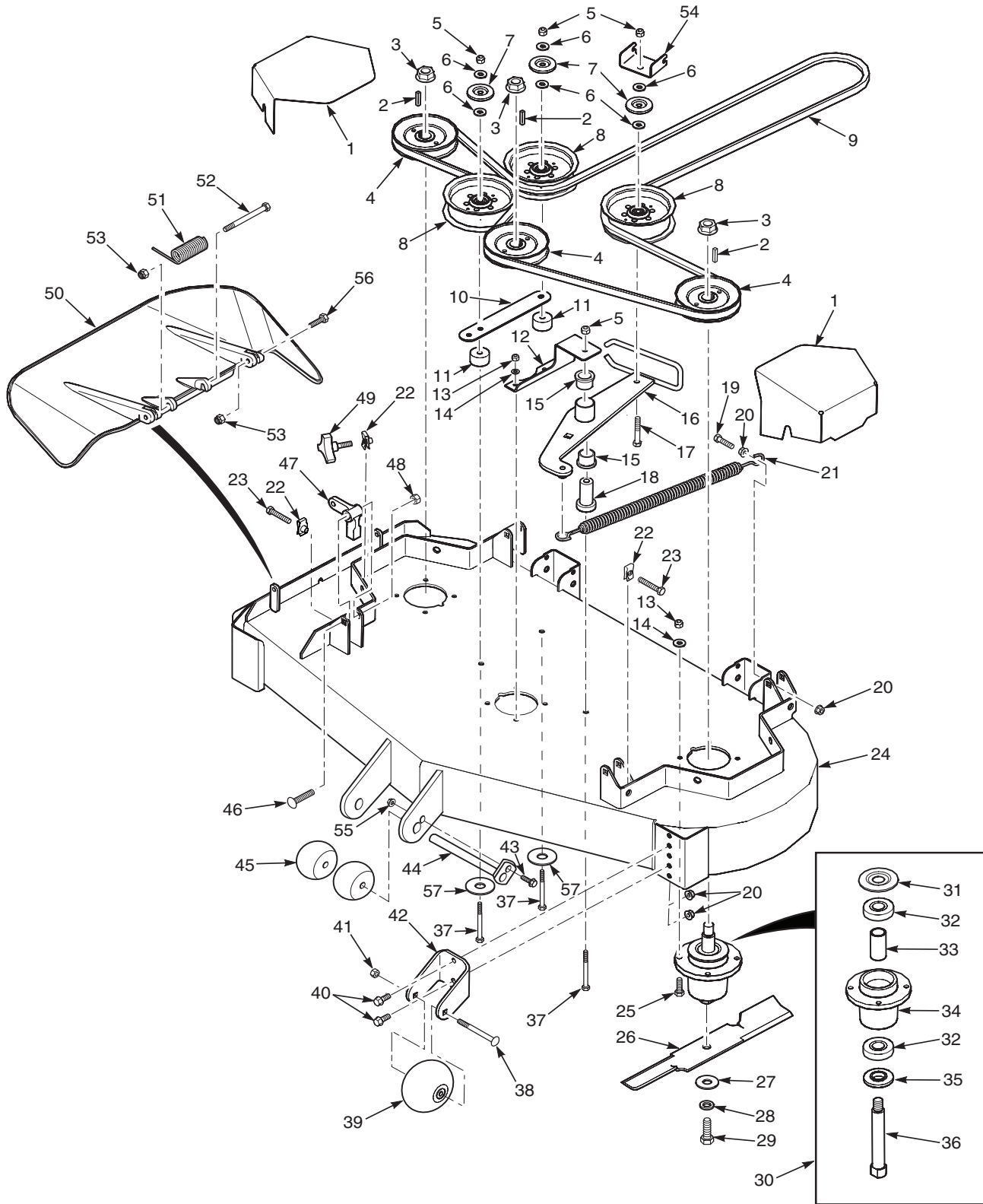
Model SPZ Patriot

THIS MANUAL CONTAINS THE ILLUSTRATED PARTS LIST FOR MODELS:
SPZ52-22FX with a serial number of N2200000 to N2299999
SPZ61-23FX with a serial number of N2300000 to N2399999

Table of Contents

| | |
|---|----|
| 52" CUTTER DECK..... | 2 |
| 61" CUTTER DECK..... | 4 |
| CUTTER DECK CONTROLS - SPZ52 | 6 |
| CUTTER DECK CONTROLS - SPZ61 | 8 |
| SHEET METAL COMPONENTS - SPZ | 10 |
| SPZ SUSPENSION SEAT | 12 |
| BRAKE COMPONENTS - SPZ | 14 |
| SPZ ROLL-OVER PROTECTION SYSTEM | 16 |
| DRIVE SYSTEM COMPONENTS - SPZ52 & SPZ61 | 18 |
| EXHAUST AND ELECTRICAL SYSTEM - SPZ | 20 |
| SPZ FUEL SYSTEM..... | 22 |
| ZT-3100 HYDRAULIC AXLE ASSEMBLY - SPZ52..... | 24 |
| ZT-3400 HYDRAULIC AXLE ASSEMBLY - SPZ61..... | 26 |
| REPLACEMENT DECALS AND INFORMATION PLATES | 28 |
| SPZ - ELECTRICAL SCHEMATIC..... | 30 |

52" CUTTER DECK



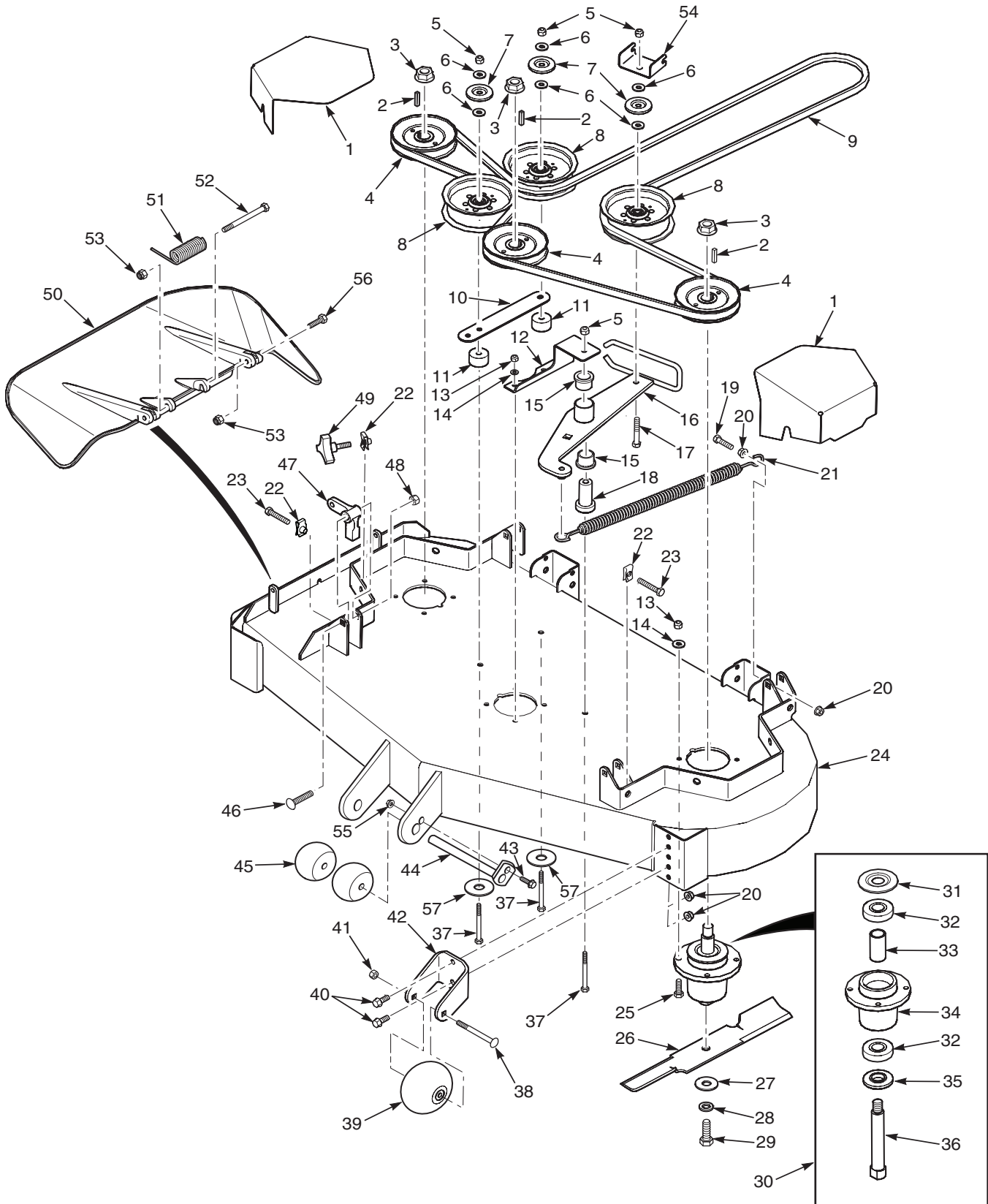
52" CUTTER DECK

| | Part No. | Description |
|----|-----------|--|
| 1 | 424528 | Belt Cover |
| 2 | 04063-01 | Key, 1/4 x 1/4 x 1-1/4" |
| 3 | 04112-06 | Nut, 3/4-16 Spiral Lock |
| 4 | 483324 | Pulley, 5.73" OD - 25mm Bore |
| 5 | 04021-09 | Nut, Elastic Stop 3/8-16 |
| 6 | 04043-04 | Flatwasher, 3/8-.391 x .938 x .105 |
| 7 | 424367 | Dust Shield |
| 8 | 483422 | Pulley, 5" Idler |
| 9 | 483326 | Belt, Cutter Deck |
| 10 | 424479 | Brace, Pulley |
| 11 | 43711 | Spacer |
| 12 | 424547 | Support, Idler Pivot |
| 13 | 04021-22 | Nut, Elastic Stop |
| 14 | 04030-03 | Lockwasher, 5/16 Spring |
| 15 | 483453-03 | Bearing |
| 16 | 462037 | Idler Arm (incl. item #15) |
| 17 | 04001-31 | Bolt, Hex Head 3/8-16 x 2-1/2" |
| 18 | 43708 | Pivot, Idler |
| 19 | 04001-136 | Bolt, Hex Head 3/8-16 x 1-1/2 Gr.8 |
| 20 | 04019-04 | Nut, Serrated Flange 3/8-16 |
| 21 | 483375 | Spring, Idler |
| 22 | 04110-03 | U-Nut, 3/8-16 |
| 23 | 04107-04 | Bolt, Hex Head 3/8-16 x 2"Special Lock |
| 24 | 462040 | Cutter Deck w/Decals, SMTZ-52 |
| 25 | 4001-11 | Bolt, Hex Head 5/16-18 x 1-1/2" |
| 26 | 482878 | Cutter Blade, 18" |
| 27 | 04043-06 | Flatwasher, 5/8-.688 x 1.75 x .134 HD |
| 28 | 04030-07 | Lockwasher, 1/2 Spring |
| 29 | 04001-121 | Bolt, Hex Head 5/8-11 x 1-1/2" |
| 30 | 461950 | Spindle Assembly |

| | Part No. | Description |
|----|-----------|--|
| 31 | 483304 | Debris Shield |
| 32 | 483303 | Bearing |
| 33 | 43693 | Spacer |
| 34 | 462014 | Spindle Housing Assembly (Incl. item #32, 33) |
| 35 | 43694 | Protector, Bearing |
| 36 | 43695 | Shaft, Spindle |
| 37 | 04001-77 | Bolt, Hex Head 3/8-16 x 3-1/2" |
| 38 | 04003-26 | Bolt, Carriage 3/8-16 x 4" |
| 39 | 481632 | Wheel, Anti-Scalp |
| 40 | 04017-27 | Bolt, Hex Head 3/8-16 x 1" Ser. Fig. |
| 41 | 04021-05 | Nut, Center Lock 3/8-16 |
| 42 | 422478 | Bracket, Anti-Scalp |
| 43 | 04001-09 | Bolt, Hex Head 5/16-18 x 1" |
| 44 | 461926 | Shaft Weldment |
| 45 | 482295 | Wheel, Anti-Scalp |
| 46 | 04003-42 | Bolt, Carriage 7/16-14 x 2-1/4" |
| 47 | 483361 | Lever, Deck Level |
| 48 | 04021-11 | Nut, Elastic Stop 7/16-14 |
| 49 | 481625-01 | Knob w/Stud |
| 50 | 462032 | Discharge Chute Assy. SMFZ-52 |
| * | 462474 | CA Discharge Chute, 52 |
| 51 | 482245 | Spring, Discharge Chute |
| 52 | 04001-154 | Bolt, Hex Head 5/16-18 x 4-3/4" |
| 53 | 04021-10 | Nut, Elastic Stop 5/16-18 |
| 54 | 424615 | Bracket, Belt Guide |
| 55 | 04019-03 | Nut, Serrated Flange 5/16-18 |
| 56 | 04001-12 | Bolt, Hex Head 5/16-18 x 1-3/4" |
| 57 | 04041-38 | Flatwasher, 3/8-.406 x 2.25 x .1875 |
| * | 424211 | Turbo Baffle |

* = California Models Only (not shown)

61" CUTTER DECK



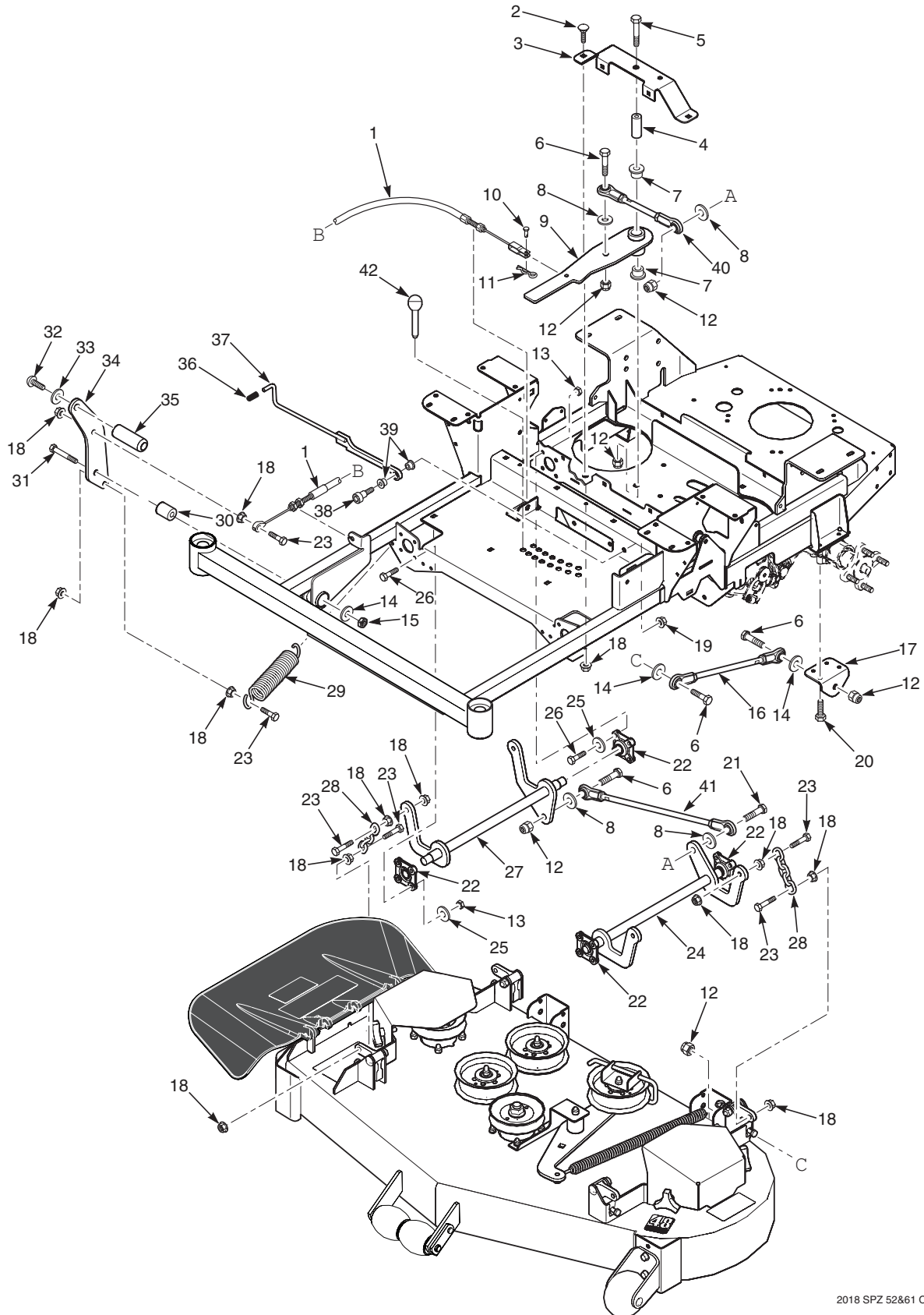
61" CUTTER DECK

| | Part No. | Description |
|----|-----------|--|
| 1 | 425260 | Belt Cover |
| 2 | 04063-01 | Key, 1/4 x 1/4 x 1-1/4" |
| 3 | 04112-06 | Nut, 3/4-16 Spiral Lock |
| 4 | 484026 | Pulley, 6.32" OD - 25mm Bore |
| 5 | 04021-09 | Nut, Elastic Stop 3/8-16 |
| 6 | 04043-04 | Flatwasher, 3/8-.391 x .938 x .105 |
| 7 | 424367 | Dust Shield |
| 8 | 483422 | Pulley, 5" Idler |
| 9 | 484031 | Belt, Cutter Deck |
| 10 | 424479 | Brace, Pulley |
| 11 | 43711 | Spacer |
| 12 | 425264 | Support, Idler Pivot |
| 13 | 04021-22 | Nut, Elastic Stop |
| 14 | 04030-03 | Lockwasher, 5/16 Spring |
| 15 | 483453-03 | Bearing |
| 16 | 462037 | Idler Arm (incl. item #15) |
| 17 | 04001-31 | Bolt, Hex Head 3/8-16 x 2-1/2" |
| 18 | 43708 | Pivot, Idler |
| 19 | 04001-136 | Bolt, Hex Head 3/8-16 x 1-1/2 Gr.8 |
| 20 | 04019-04 | Nut, Serrated Flange 3/8-16 |
| 21 | 483375 | Spring, Idler |
| 22 | 04110-03 | U-Nut, 3/8-16 |
| 23 | 04107-04 | Bolt, Hex Head 3/8-16 x 2" Special Lock |
| 24 | 462227 | Cutter Deck w/Decals, SFZ61 |
| 25 | 04001-11 | Bolt, Hex Head 5/16-18 x 1-1/2" |
| 26 | 482879 | Cutter Blade, 21" |
| 27 | 04043-06 | Flatwasher, 5/8-.688 x 1.75 x .134 HD |
| 28 | 04030-07 | Lockwasher, 1/2 Spring |
| 29 | 04001-121 | Bolt, Hex Head 5/8-11 x 1-1/2" |
| 30 | 461950 | Spindle Assembly |

| | Part No. | Description |
|----|-----------|--|
| 31 | 483304 | Debris Shield |
| 32 | 483303 | Bearing |
| 33 | 43693 | Spacer |
| 34 | 462014 | Spindle Housing Assembly (Incl. item #32, 33) |
| 35 | 43694 | Protector, Bearing |
| 36 | 43695 | Shaft, Spindle |
| 37 | 04001-77 | Bolt, Hex Head 3/8-16 x 3-1/2" |
| 38 | 04003-26 | Bolt, Carriage 3/8-16 x 4" |
| 39 | 481632 | Wheel, Anti-Scalp |
| 40 | 04017-27 | Bolt, Hex Head 3/8-16 x 1" Ser. Flg. |
| 41 | 04021-05 | Nut, Center Lock 3/8-16 |
| 42 | 422478 | Bracket, Anti-Scalp |
| 43 | 04001-09 | Bolt, Hex Head 5/16-18 x 1" |
| 44 | 461926 | Shaft Weldment |
| 45 | 482295 | Wheel, Anti-Scalp |
| 46 | 04003-42 | Bolt, Carriage 7/16-14 x 2-1/4" |
| 47 | 483361 | Lever, Deck Level |
| 48 | 04021-11 | Nut, Elastic Stop 7/16-14 |
| 49 | 481625-01 | Knob w/Stud |
| 50 | 462213 | Discharge Chute Assembly |
| * | 462476 | CA Discharge Chute, SMFZ-61 |
| 51 | 482245 | Spring, Discharge Chute |
| 52 | 04001-154 | Bolt, Hex Head 5/16-18 x 4-3/4" |
| 53 | 04021-10 | Nut, Elastic Stop 5/16-18 |
| 54 | 424615 | Bracket, Belt Guide |
| 55 | 04019-03 | Nut, Serrated Flange 5/16-18 |
| 56 | 04001-12 | Bolt, Hex Head 5/16-18 x 1-3/4" |
| 57 | 04041-38 | Flatwasher, 3/8-.406 x 2.25 x .1875 |
| * | 425867 | Turbo Baffle |

* = California Models Only (not shown)

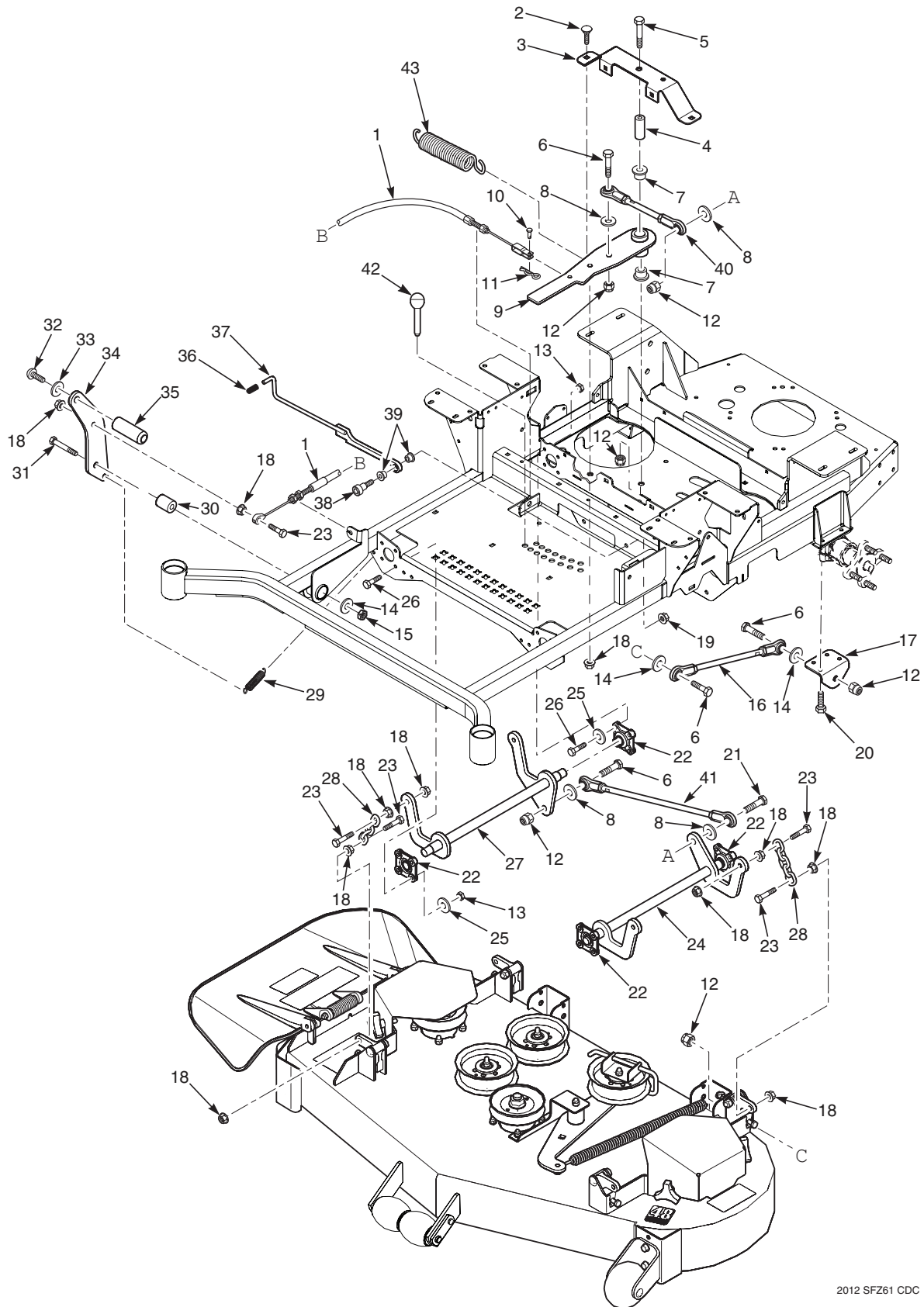
CUTTER DECK CONTROLS - SPZ52



CUTTER DECK CONTROLS - SPZ52

| Ref. No. | Part No. | Description |
|----------|-----------|-------------------------------------|
| 1 | 483341 | Cable, Deck Lift |
| 2 | 04003-31 | Bolt, Carriage 3/8-16 x 3/4" |
| 3 | 424476 | Support, Idler Arm |
| 4 | 43710 | Spacer, Deck Lift Pivot |
| 5 | 04001-90 | Bolt, Hex Head 1/2-13 x 3-3/4" |
| 6 | 04001-72 | Bolt, Hex Head 1/2-13 x 2" |
| 7 | 483453-03 | Bearing |
| 8 | 04040-07 | Flatwasher, 1/2-.531 x 1.06 x .095 |
| 9 | 461999 | Deck Lift Bellcrank Assembly |
| 10 | 04064-17 | Clevis Pin, 5/16 x 3/4" |
| 11 | 04062-01 | Hair Pin, .094 x 1.62" |
| 12 | 04021-07 | Nut, Elastic Stop 1/2-13 |
| 13 | 04021-10 | Nut, Elastic Stop 5/16-18 |
| 14 | 04040-13 | Flatwasher, 1/2-.562 x 1.375 x .109 |
| 15 | 04021-09 | Nut, Center Lock 1/2-13 |
| 16 | 483332 | Linkage, Push Arm |
| 17 | 424489 | Bracket, Push Arm Link |
| 18 | 04019-04 | Nut, Serrated Flange 3/8-16 |
| 19 | 04021-09 | Nut, Elastic Stop 3/8-16 |
| 20 | 04001-49 | Bolt, Hex Head 5/16-18 x 3" |
| 21 | 04001-52 | Bolt, Hex Head 1/2-13 x 2-1/2" |
| 22 | 483334 | Bearing, Deck Lift |
| 23 | 04001-20 | Bolt, Hex Head 3/8-16 x 1-1/2" |
| 24 | 451868 | Weldment, Deck Lift LH |
| 25 | 04040-14 | Flatwasher, 1/4-.312 x .750 x .065 |
| 26 | 04001-09 | Bolt, Hex Head 5/16-18 x 1" |
| 27 | 451867 | Weldment, Deck Lift RH |
| 28 | 482628 | Chain, Deck Lift |
| 29 | 483374 | Spring, Deck Lift |
| 30 | 43710 | Sleeve, Deck Lift Pivot |
| 31 | 04001-74 | Bolt, Hex Head 1/2-13 x 3" |
| 32 | 04105-01 | Bolt, Head Socket 5/8-11 x 1-1/2" |
| 33 | 04030-07 | Lockwasher, 5/8 Spring |
| 34 | 424535 | Pedal, Foot Bracket |
| 35 | 424504 | Foot Pedal |
| 36 | 483492 | Grip, Deck Latch |
| 37 | 491254 | Weldment, Deck Latch |
| 38 | 04009-06 | Bolt, Shoulder 1/2 x 1/2 |
| 39 | 483453-10 | Bearing |
| 40 | 483328 | Linkage Assembly, Deck Lift |
| 41 | 483367 | Linkage Assembly, Deck Lift |
| 42 | 483498 | Pin, Height Adjuster |

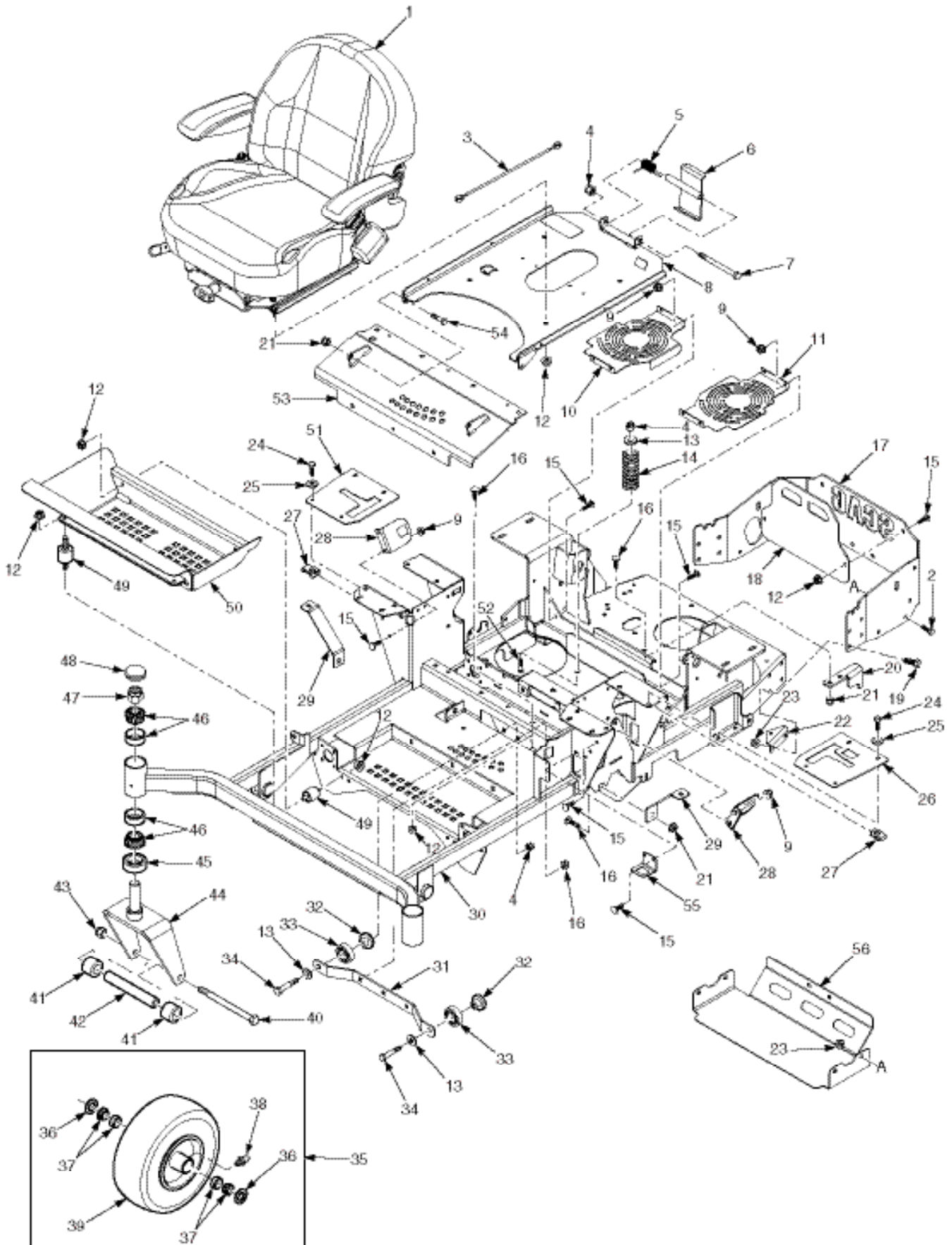
CUTTER DECK CONTROLS - SPZ61



CUTTER DECK CONTROLS - SPZ61

| Ref. No. | Part No. | Description |
|----------|-----------|-------------------------------------|
| 1 | 483341 | Cable, Deck Lift |
| 2 | 04003-31 | Bolt, Carriage 3/8-16 x 3/4" |
| 3 | 424476 | Support, Idler Arm |
| 4 | 43710 | Spacer, Deck Lift Pivot |
| 5 | 04001-90 | Bolt, Hex Head 1/2-13 x 3-3/4" |
| 6 | 04001-72 | Bolt, Hex Head 1/2-13 x 2" |
| 7 | 483453-03 | Bearing |
| 8 | 04040-07 | Flatwasher, 1/2-.531 x 1.06 x .095 |
| 9 | 461999 | Deck Lift Bellcrank Assembly |
| 10 | 04064-17 | Clevis Pin, 5/16 x 3/4" |
| 11 | 04062-01 | Hair Pin, .094 x 1.62" |
| 12 | 04021-07 | Nut, Elastic Stop 1/2-13 |
| 13 | 04021-10 | Nut, Elastic Stop 5/16-18 |
| 14 | 04040-13 | Flatwasher, 1/2-.562 x 1.375 x .109 |
| 15 | 04021-09 | Nut, Center Lock 1/2-13 |
| 16 | 483332 | Linkage, Push Arm |
| 17 | 424489 | Bracket, Push Arm Link |
| 18 | 04019-04 | Nut, Serrated Flange 3/8-16 |
| 19 | 04021-09 | Nut, Elastic Stop 3/8-16 |
| 20 | 04001-49 | Bolt, Hex Head 5/16-18 x 3" |
| 21 | 04001-52 | Bolt, Hex Head 1/2-13 x 2-1/2" |
| 22 | 483334 | Bearing, Deck Lift |
| 23 | 04001-20 | Bolt, Hex Head 3/8-16 x 1-1/2" |
| 24 | 452112 | Weldment, Deck Lift LH |
| 25 | 04040-14 | Flatwasher, 1/4-.312 x .750 x .065 |
| 26 | 04001-09 | Bolt, Hex Head 5/16-18 x 1" |
| 27 | 452113 | Weldment, Deck Lift RH |
| 28 | 482628 | Chain, Deck Lift |
| 29 | 484038 | Spring, Deck Lift |
| 30 | 43710 | Sleeve, Deck Lift Pivot |
| 31 | 04001-74 | Bolt, Hex Head 1/2-13 x 3" |
| 32 | 04105-01 | Bolt, Head Socket 5/8-11 x 1-1/2" |
| 33 | 04030-07 | Lockwasher, 5/8 Spring |
| 34 | 424844 | Pedal, Foot Bracket |
| 35 | 424504 | Foot Pedal |
| 36 | 483492 | Grip, Deck Latch |
| 37 | 491254 | Weldment, Deck Latch |
| 38 | 04009-06 | Bolt, Shoulder 1/2 x 1/2 |
| 39 | 483453-10 | Bearing |
| 40 | 483328 | Linkage Assembly, Deck Lift |
| 41 | 483367 | Linkage Assembly, Deck Lift |
| 42 | 483498 | Pin, Height Adjuster |
| 43 | 483374 | Spring, Deck Lift |

SHEET METAL COMPONENTS - SPZ

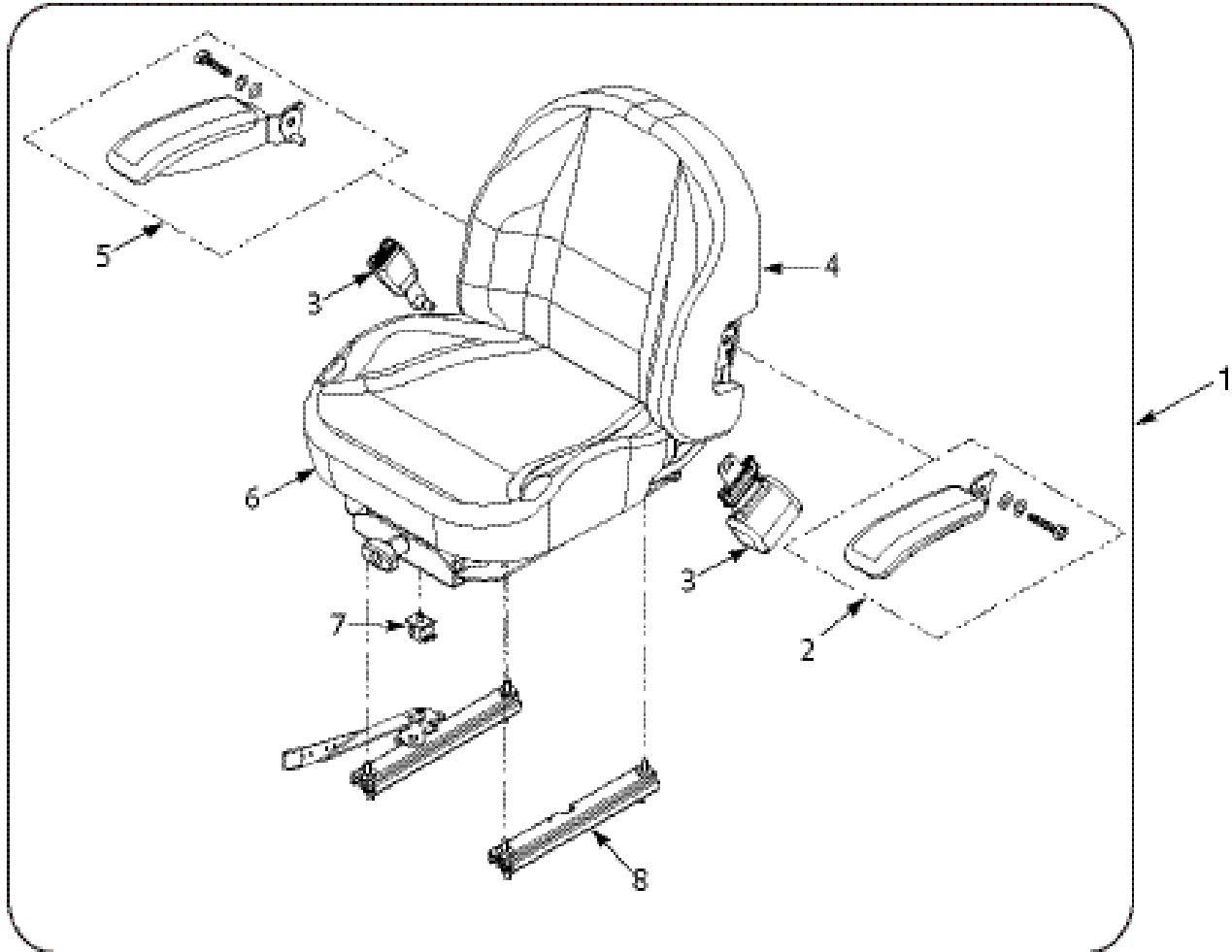


SHEET METAL COMPONENTS - SPZ

| | Part No. | Description |
|----|-----------|------------------------------------|
| 1 | 485983 | Seat Assembly |
| 2 | 04001-18 | Bolt, Hex Head 3/8-16 x 3/4" |
| 3 | 483559 | Cable, Seat Stop |
| 4 | 04021-09 | Nut, Elastic Stop 3/8-16 |
| 5 | 483371 | Spring, Seat Latch |
| 6 | 451883 | Weldment, Seat Latch |
| 7 | 04001-100 | Bolt, Hex Head 3/8-16 x 6" |
| 8 | 462998 | Seat Plate Weldment |
| 9 | 04019-02 | Nut, Serrated Flange 1/4-20 |
| 10 | 425698 | Fan Cover, RH |
| 11 | 425697 | Fan Cover, LH |
| 12 | 04019-03 | Nut, Serrated Flange 5/16-18 |
| 13 | 04041-07 | Flatwasher, 3/8-.391 x .938 x .105 |
| 14 | 483372 | Spring, Seat |
| 15 | 04001-59 | Bolt, Carriage 1/4-20 x 1" |
| 16 | 04003-12 | Bolt, Carriage 5/16-18 x 3/4" |
| 17 | 427122 | Bumper - SPZ |
| 18 | 426053 | Guard, Engine |
| 19 | 04001-19 | Bolt, Hex Head 3/8-16 x 1" |
| 20 | 425696 | Anti-Rotation Bracket |
| 21 | 04021-09 | Nut, Elastic Stop 5/16-18 |
| 22 | 424639 | Bracket, Dump Valve |
| 23 | 04019-04 | Nut, Serrated Flange 3/8-16 |
| 24 | 04001-14 | Bolt, Hex Head 1/4-20 x 1" |
| 25 | 04040-14 | Flatwasher, 1/4-.312 x .750 x .065 |
| 26 | 462483 | Control Plate w/Decal, LH |
| 27 | 04110-01 | U-Nut, 1/4-20 |
| 28 | 424511 | Bracket, Switch Mount |
| 29 | 425890 | Bracket, Tank Mount, SPZ52 |
| | 425700 | Bracket, Tank Mount, SPZ61 |
| 30 | 462981 | Mainframe Assy., w/Decals - SPZ52 |
| | 463003 | Mainframe Assy., w/Decals - SPZ61 |
| 31 | 424480 | Support, Deck Guide |
| 32 | 43703 | Spacer, Bearing |
| 33 | 483379 | Bearing |
| 34 | 04001-31 | Bolt, Hex Head 3/8-16 x 2-1/2" |
| 35 | 482504 | Wheel Assembly |

| Ref. No. | Part No. | Description |
|----------|-----------|---------------------------------|
| 36 | 482622 | Seal |
| 37 | 482621 | Bearing |
| 38 | 48114-10 | Fitting, Grease |
| 39 | 482619 | Tire, 13 x 6.5-6 |
| | 482620 | Rim |
| 40 | 04001-167 | Bolt, Hex Head 1/2-13 x 9-1/2" |
| 41 | 43584 | Spacer, Caster Wheel |
| 42 | 43583 | Sleeve, Caster Wheel |
| 43 | 04021-07 | Nut, Elastic Stop 1/2-13 |
| 44 | 451658 | Yoke Weldment |
| 45 | 481025 | Seal, 2" OD x 1.625 ID |
| 46 | 48668 | Bearing Set |
| 47 | 04021-20 | Nut, Elastic Stop 1"-14 |
| 48 | 484195 | Grease Cap |
| 49 | 483493 | Rubber Isolator |
| 50 | 451889 | Footplate Weldment, SPZ52 |
| | 452263 | Footplate Weldment, SPZ61 |
| 51 | 462484 | Control PLate w/Decal, RH |
| 52 | 04003-11 | Bolt, Carriage 3/8-16 x 1-1/4" |
| 53 | 462996 | Deck Lift Cover w/Decal, SPZ52 |
| | 462997 | Deck Lift Cover w/Decal, SPZ61 |
| 54 | 04001-73 | Bolt, Hex Head 5/16-18 x 3-3/4" |
| 55 | 425889 | Switch Bracket |
| 56 | 427123 | Heat Shield |

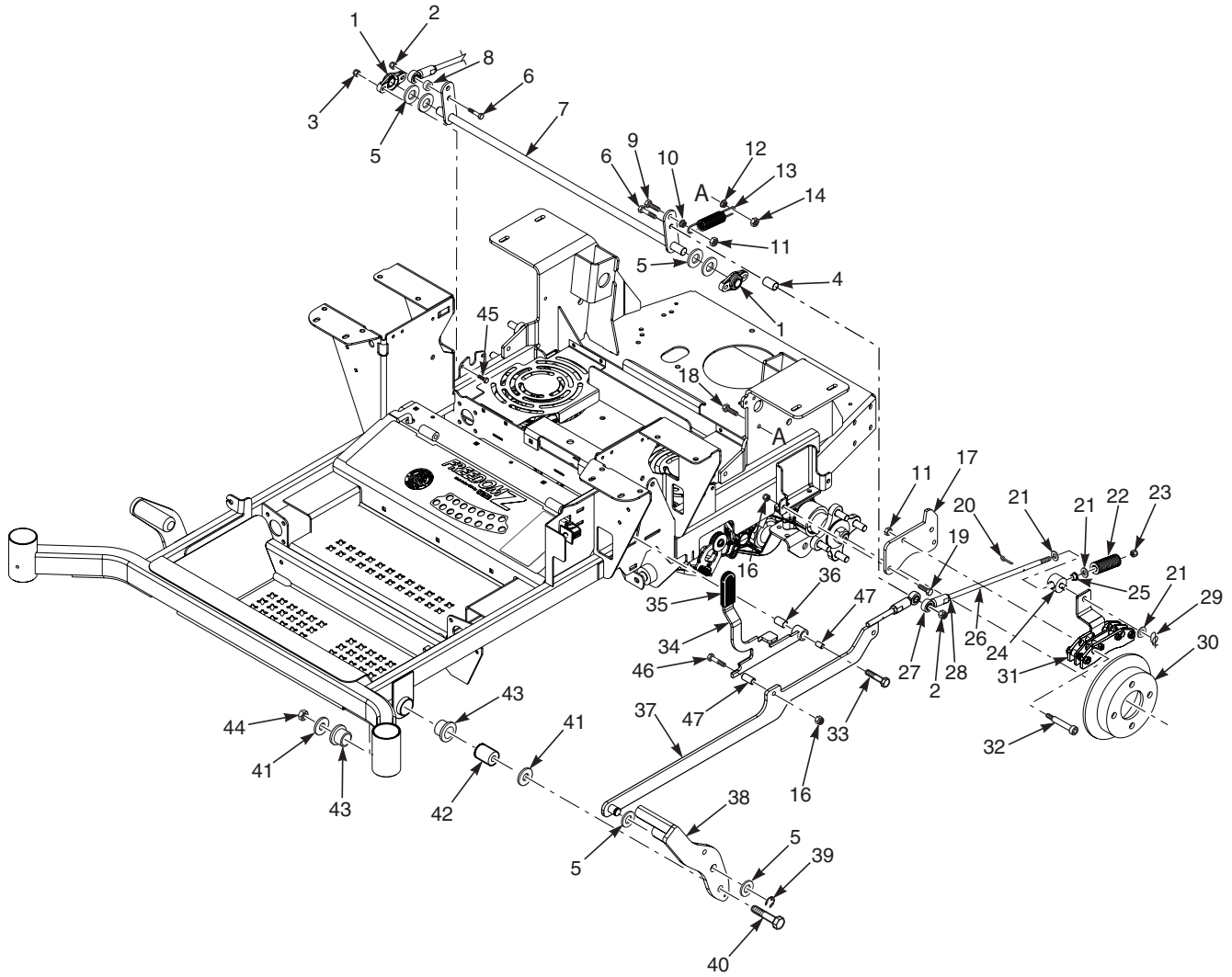
SPZ SUSPENSION SEAT



| Ref. No. | Part No. | Description |
|----------|----------|-----------------|
| 1 | 485983 | Seat Assembly |
| 2 | 486003 | Armrest Kit, LH |
| 3 | 484527 | Seatbelt Kit |
| 4 | 486000 | Back Cover |
| 5 | 486004 | Armrest Kit, RH |
| 6 | 486001 | Cushion Cover |
| 7 | 483473 | Switch |
| 8 | 486002 | Track Set |

NOTES

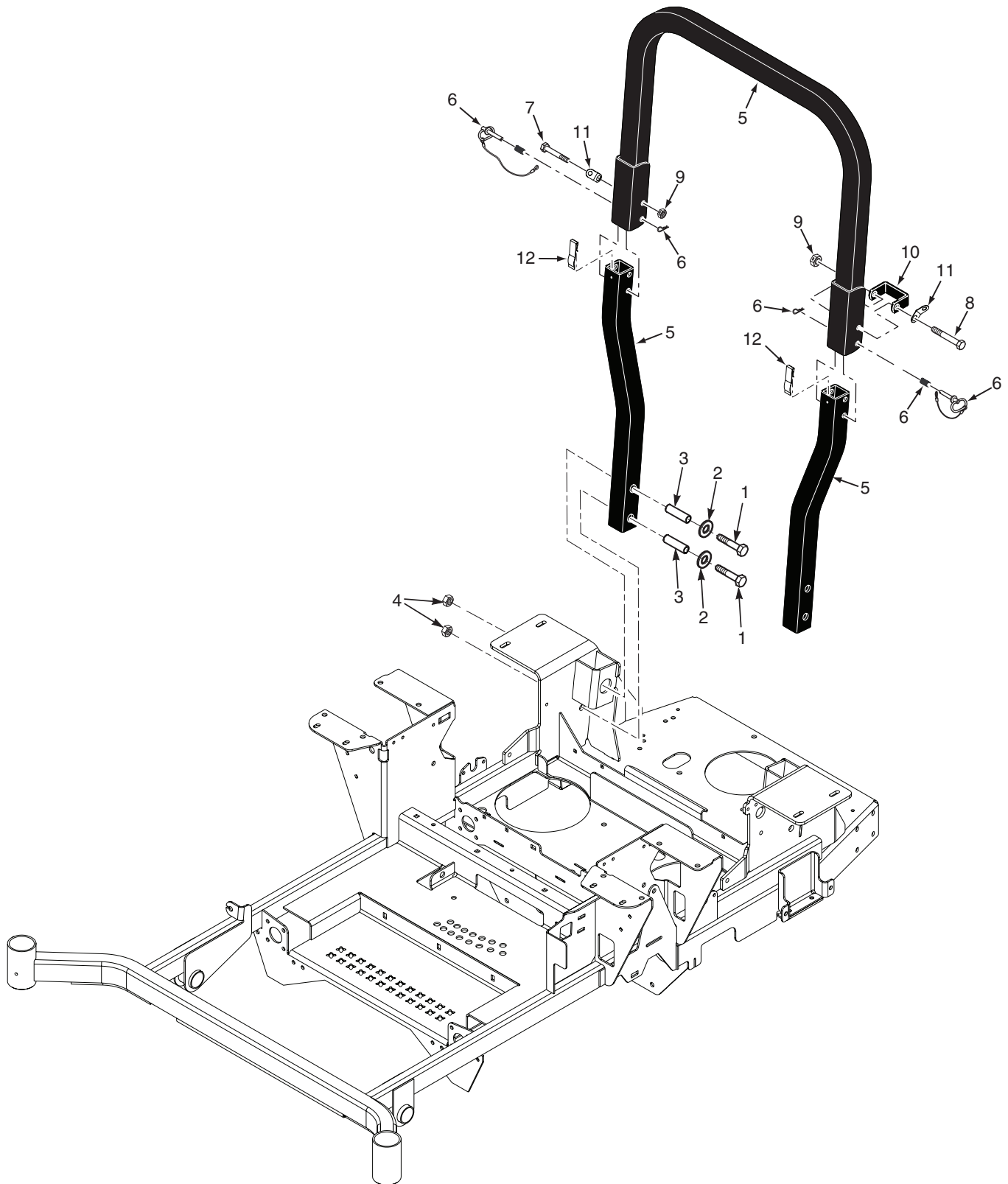
BRAKE COMPONENTS - SPZ



BRAKE COMPONENTS - SPZ

| Ref. No. | Part No. | Description |
|----------|-----------|---|
| 1 | 483504 | Bearing |
| 2 | 04021-09 | Nut, Elastic Stop 3/8-16 |
| 3 | 04021-08 | Nut, Elastic Stop 1/4-20 |
| 4 | 43720 | Spacer |
| 5 | 04040-09 | Flatwasher, 5/8-.656 x 1.312 x .095 |
| 6 | 04001-46 | Bolt, Hex Head 3/8-16 x 2-1/4" |
| 7 | 452269 | Weldment, Brake Lever |
| 8 | 43674 | Spacer |
| 9 | 04001-32 | Bolt, Hex Head 3/8-16 x 1-1/4" |
| 10 | 04019-04 | Nut, Serrated Flange 3/8-16 |
| 11 | 04021-05 | Nut, Center Lock 3/8-16 |
| 12 | 04019-03 | Nut, Serrated Flange 5/16-18 |
| 13 | 484038 | Spring |
| 14 | 04021-04 | Nut, Center Lock 5/16-18 |
| 15 | 04041-07 | Flatwasher, 3/8-.391 x .938 x .105 |
| 16 | 04021-10 | Nut, Elastic Stop 5/16-18 |
| 17 | 425680 | Mounting Bracket, Brake |
| 18 | 04001-10 | Bolt, Hex Head 5/16-18 x 1-1/4" |
| 19 | 04001-09 | Bolt, Hex Head 5/16-18 x 1" |
| 20 | 04061-02 | Cotter Pin, 3/32 x 3/4" |
| 21 | 04040-05 | Flatwasher, 3/8-.406 x .812 x .065 |
| 22 | 484535 | Spring, Brake |
| 23 | 04021-18 | Nut, Elastic Stop 3/8-24 |
| 24 | 462452 | Swivel Assembly, Brake |
| 25 | 483453-23 | Bearing |
| 26 | 04004-54 | Link, Brake |
| 27 | 482330 | Rod End |
| 28 | 04020-25 | Nut, 3/8-24 UNF Jam |
| 29 | 04069-01 | Pin, Rue Cotter - 3/8" Dia. |
| 30 | 43853 | Brake Hub |
| 31 | 483701 | Brake Caliper |
| 32 | 04009-17 | Bolt, Shoulder 1/2 x 2-1/2" |
| 33 | 04009-16 | Bolt, Shoulder 1/2 x 2" |
| 34 | 462485 | Latch Assembly, Brake (incl. # 35, #36) |
| 35 | 482102 | Grip, Brake Lever |
| 36 | 483453-22 | Bearing |
| 37 | 462419 | Linkage Weldment Assembly, Brake |
| 38 | 452922 | Brake Pedal Weldment |
| 39 | 04050-01 | Retaining Ring, .625 Ext. "E" |
| 40 | 04001-74 | Bolt, Hex Head 1/2-13 x 3" |
| 41 | 04040-13 | Flatwasher, 1/2-.562 x 1.375 x .109 |
| 42 | 43710 | Sleeve |
| 43 | 483453-03 | Bearing |
| 44 | 04021-19 | Nut, Center Lock 1/2-13 |
| 45 | 04001-14 | Bolt, Hex Head 1/4-20 x 1" |
| 46 | 04001-12 | Bolt, Hex Head 5/16-18 x 1-3/4" |
| 47 | 43866 | Sleeve, Handle Pivot |

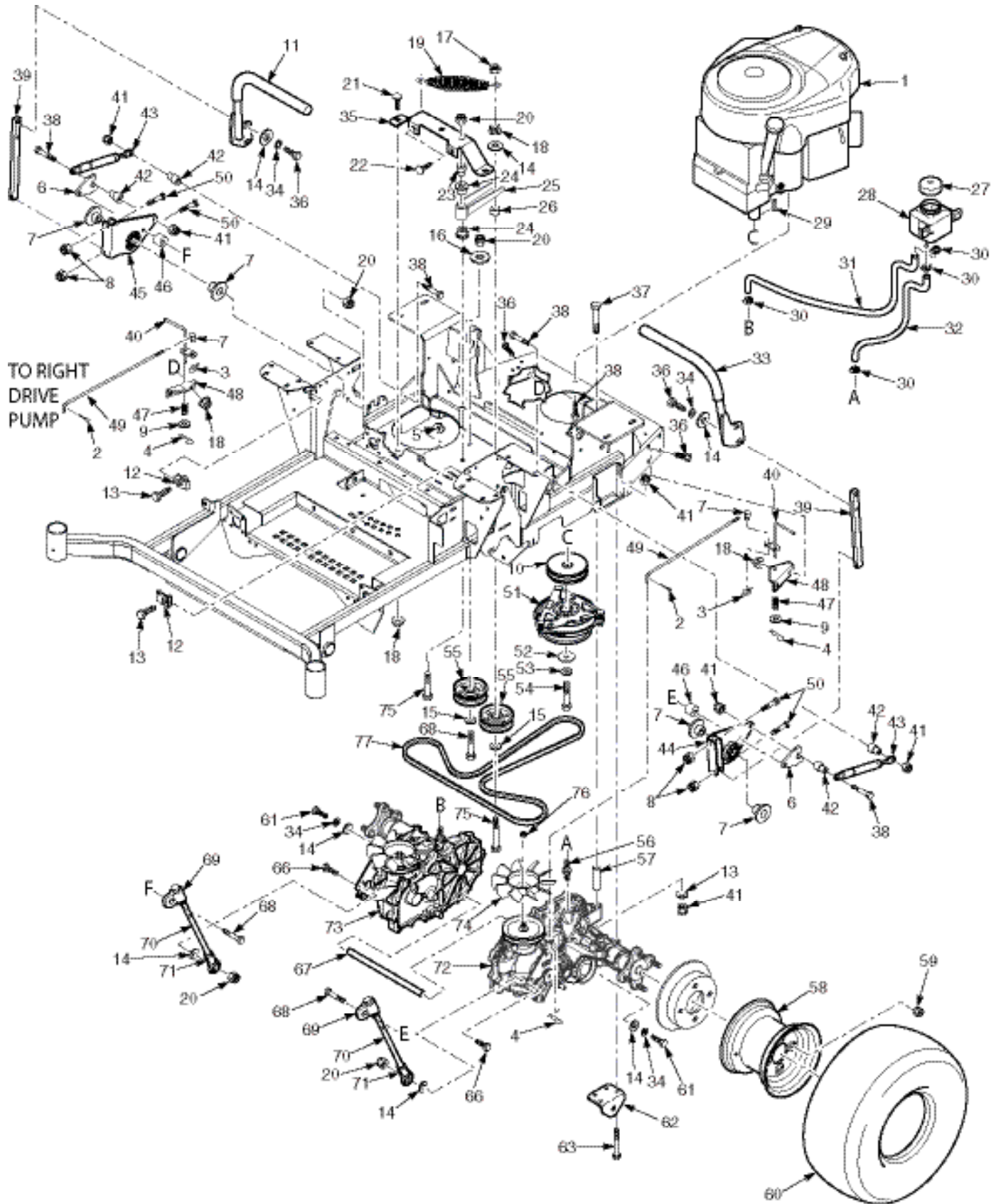
SPZ ROLL-OVER PROTECTION SYSTEM



SPZ ROLL-OVER PROTECTION SYSTEM

| Ref. No. | Part No. | Description |
|-----------------|-----------------|---------------------------------------|
| 1 | 04001-197 | Bolt, Hex Head 1/2 13 x 3" Gr. 8 |
| 2 | 04040-07 | Flatwasher, 1/2 - .531 x 1.062 x .095 |
| 3 | 43743 | Bushing, SFZ ROPS |
| 4 | 04117-04 | Nut, Flanged Elastic Stop, 1/2-13 |
| 5 | 462558 | ROPS |
| 6 | 484168 | Pin Assembly, ROPS Hinge |
| 7 | 04001-90 | Bolt, Hex Head 1/2-13 x 3-1/4" |
| 8 | 04001-145 | Bolt, Hex Head 1/2-13 x 3-1/2" |
| 9 | 04021-19 | Nut, 1/2-13 Center Lock |
| 10 | 485722 | Stop, ROPS |
| 11 | 484169 | Clip, ROPS |
| 12 | 484167 | Spring, ROPS |

DRIVE SYSTEM COMPONENTS - SPZ52 & SPZ61



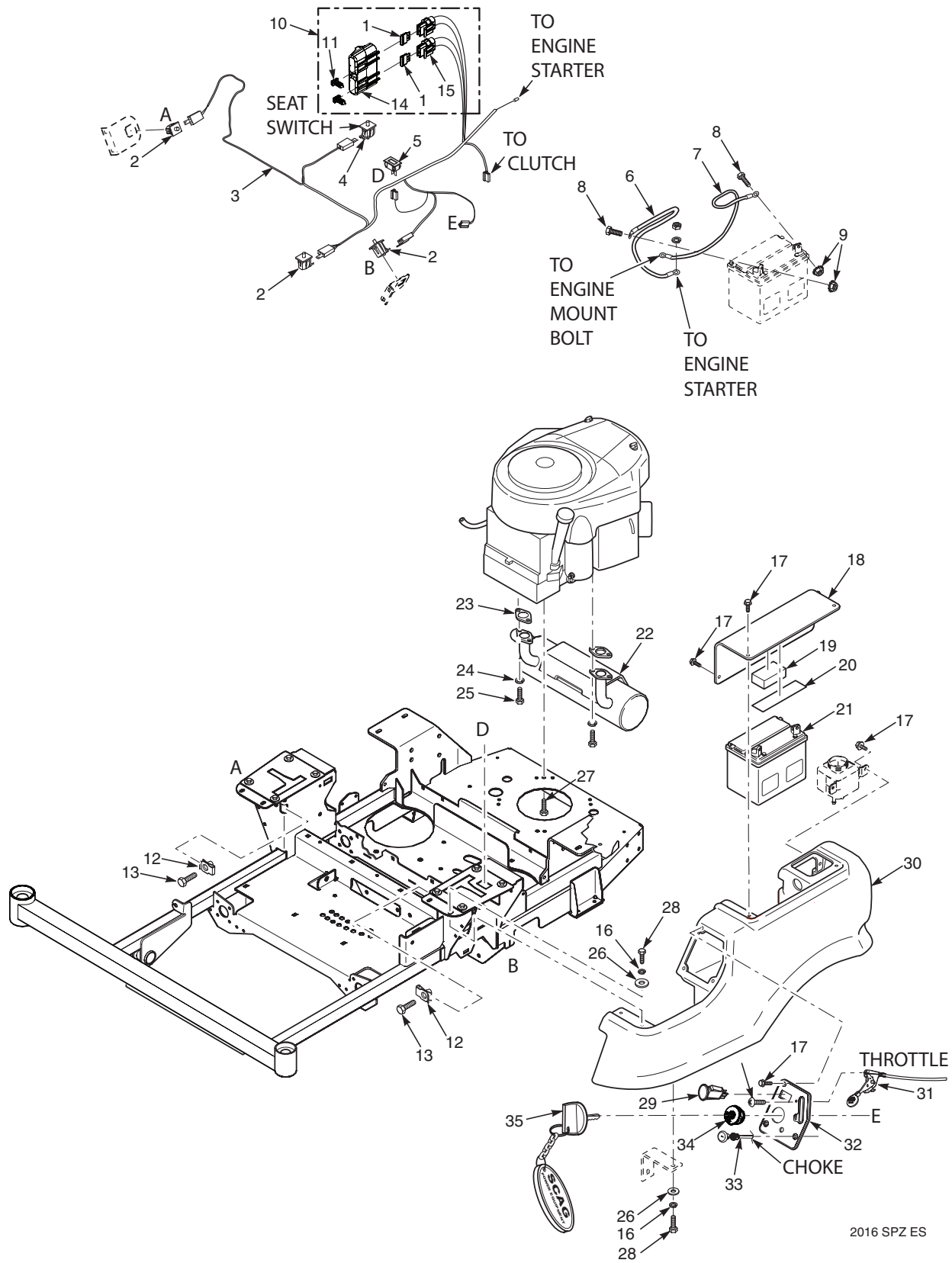
DRIVE SYSTEM COMPONENTS - SPZ52 & SPZ61

| Ref. No. | Part No. | Description |
|----------|-----------|---|
| 1 | 485706* | Engine, Kawasaki - 22FX |
| | 485707* | Engine, Kawasaki - 23FX |
| 2 | 04061-01 | Cotter Pin, 3/32 x 1" |
| 3 | 04069-01 | Pin, Rue Cotter 3/8" Dia. |
| 4 | 04062-02 | Hair Pin, .080 x 1.19" |
| 5 | 04019-03 | Nut, Serrated Flange 5/16-18 |
| 6 | 424687 | Nut, Control Link |
| 7 | 43719 | Spacer, Linkage |
| 8 | 04021-08 | Nut, Elastic Stop 1/4-20 |
| 9 | 04040-14 | Flatwasher, 1/4-.312 x .750 x .065 |
| 10 | 484646 | Pulley, 4-1/2" OD - 1.125 Bore (SPZ52) |
| | 484373 | Pulley, 5" OD - 1.125 Bore (SPZ61) |
| 11 | 462371 | Handle Bar w/Grip |
| | 484376 | Grip |
| 12 | 04110-03 | U-Nut, 3/8-16 |
| 13 | 04107-01 | Bolt, Hex Head 3/8-16 x 1-1/4" Special Lock |
| 14 | 04041-07 | Flatwasher, 3/8-.391 x .938 x .105 |
| 15 | 04043-04 | Flatwasher, 3/8-.391 x .938 x .105 HD |
| 16 | 04041-11 | Flatwasher, 3/8-.406 x 1.5 x 7 GA. |
| 17 | 04021-05 | Nut, Center Lock 3/8-16 |
| 18 | 04019-04 | Nut, Serrated Flange 3/8-16 |
| 19 | 483087 | Spring, Transmission Idler |
| 20 | 04021-09 | Nut, Elastic Stop 3/8-16 |
| 21 | 04003-31 | Bolt, Carriage 3/8-16 x 3/4" |
| 22 | 04003-12 | Bolt, Carriage 5/16-18 x 3/4" |
| 23 | 43715 | Shaft Pivot, Idler Arm |
| 24 | 483453-04 | Bearing |
| 25 | 462122 | Transmission Idler Arm Assembly |
| 26 | 43674 | Spacer, Idler Pulley - SPZ52 |
| | 43720 | Spacer, Idler Pulley - SPZ61 |
| 27 | 483514 | Cap |
| 28 | 483438 | Reservoir Assembly |
| 29 | 04063-24 | Key, 1/4 x 1/4 x 2-3/4" |
| 30 | 48136-05 | Clamp, 0.87" Max Dia. |
| 31 | 483431 | Hose, RH Transmission |
| 32 | 483432 | Hose, LH Transmission |
| 33 | 462370 | Handle Bar Assembly, w/Grip |
| | 484376 | Grip |
| 34 | 04030-04 | Lockwasher, 3/8" Spring |
| 35 | 424476 | Support, Idler Arm |
| 36 | 04001-19 | Bolt, Hex Head 3/8-16 x 1" |
| 37 | 04001-95 | Bolt, Hex Head 5/16-18 x 5" |
| 38 | 04001-11 | Bolt, Hex Head 5/16-18 x 1-1/2" |
| 39 | 424498 | Bar, Control Lever |
| 40 | 451912 | Dump Valve Lever |
| 41 | 04021-10 | Nut, Elastic Stop 5/16-18 |
| 42 | 43602 | Spacer, Pump Dampener |
| 43 | 484151 | Dampener |
| 44 | 462127 | Control Link, LH |
| 45 | 462128 | Control Link, RH |
| 46 | 43674 | Spacer |
| 47 | 482070 | Spring |
| 48 | 424639 | Bracket, Dump Mounting |

| Ref. No. | Part No. | Description |
|----------|-----------|--|
| 49 | 44162 | Linkage, Dump Valve |
| 50 | 04001-04 | Bolt, Hex Head 1/4-20 x 1-1/2" |
| 51 | 462228 | Electric Clutch Assembly - SPZ52 & SPZ61 |
| 52 | 04041-28 | Flatwasher, 7/16-.469 x 1.75 x .25 |
| 53 | 04041-28 | Lockwasher, 7/16" spring |
| 54 | 04102-08 | Bolt, Hex Head 7/16-20 x 1-1/2" Patch SPZ-61 |
| 55 | 483638 | Pulley, 3-1/2" Dia. |
| 56 | 482800-02 | Fitting, Transmission - SPZ52 |
| | 482800-04 | Fitting, Transmission - SPZ61 |
| 57 | 43700 | Spacer, Axle - SPZ52 |
| | 43857 | Spacer, Axle - SPZ61 |
| 58 | 485945 | Rim w/Valve Stem (52) |
| | 482414 | Rim w/Valve Stem (61) |
| 59 | 04028-02 | Wheel Nut, 1/2-20 |
| 60 | 485944 | Wheel Assembly, 22 x 10.5-12 (SPZ52) |
| | 485946 | Tire, 22 x 10.5-12 (SPZ52) |
| | 485945 | Rim (SPZ52) |
| | 485952 | Wheel Assembly, 24 x 12-12 (SPZ61) |
| | 485953 | Tire, 24 x 12-12 (SPZ61) |
| | 482414 | Rim (SPZ61) |
| 61 | 04001-46 | Bolt, Hex Head 3/8-16 x 2-1/4" |
| 62 | 424489 | Bracket, Pusharm Link |
| 63 | 04001-49 | Bolt, Hex Head 5/16-18 x 3" |
| 64 | * | Clip, Brake Lever (order through Hydro-Gear) |
| 65 | * | Lever, Brake (order through Hydro-Gear) |
| 66 | 04001-32 | Bolt, Hex Head 3/8-16 x 1-1/4" |
| 67 | 43701 | Spacer, Axle |
| 68 | 04001-45 | Bolt, Hex Head 3/8-16 x 2" |
| 69 | 483563 | Rod End, Adjustable 3/8-24 |
| | 04020-25 | Nut, Jam 3/8-24 UNF RH |
| 70 | 483668 | Linkage, Pump - SPZ52 |
| | 484405 | Linkage, Pump - SPZ61 |
| 71 | 483575 | Stake, Rod End Assembly |
| 72 | 484449 | Transaxle Assy., LH (ZL-KCEF-3LKG-1NXX) |
| | | SPZ52 |
| | 484454 | Transaxle Assy., LH (ZS-KCEE-3LKG-11XX) |
| | | SPZ61 |
| | 484450 | Transaxle Assy., RH (ZL-GCEF-3LKG-1NXX) |
| 73 | | SPZ52 |
| | 484455 | Transaxle Assy., RH (ZS-GCEE-3LKF-11XX) |
| | | SPZ61 |
| 74 | * | Fan (order through Hydro-Gear) |
| 75 | 04001-54 | Bolt, Hex Head 3/8-16 x 3" |
| 76 | * | Fan Nut (order through Hydro-Gear) |
| 77 | 483314 | Belt, Transmission Drive - SPZ52 |
| | 484372 | Belt, Transmission Drive - SPZ61 |

* Not available through Scag.

EXHAUST AND ELECTRICAL SYSTEM - SPZ



2016 SPZ ES

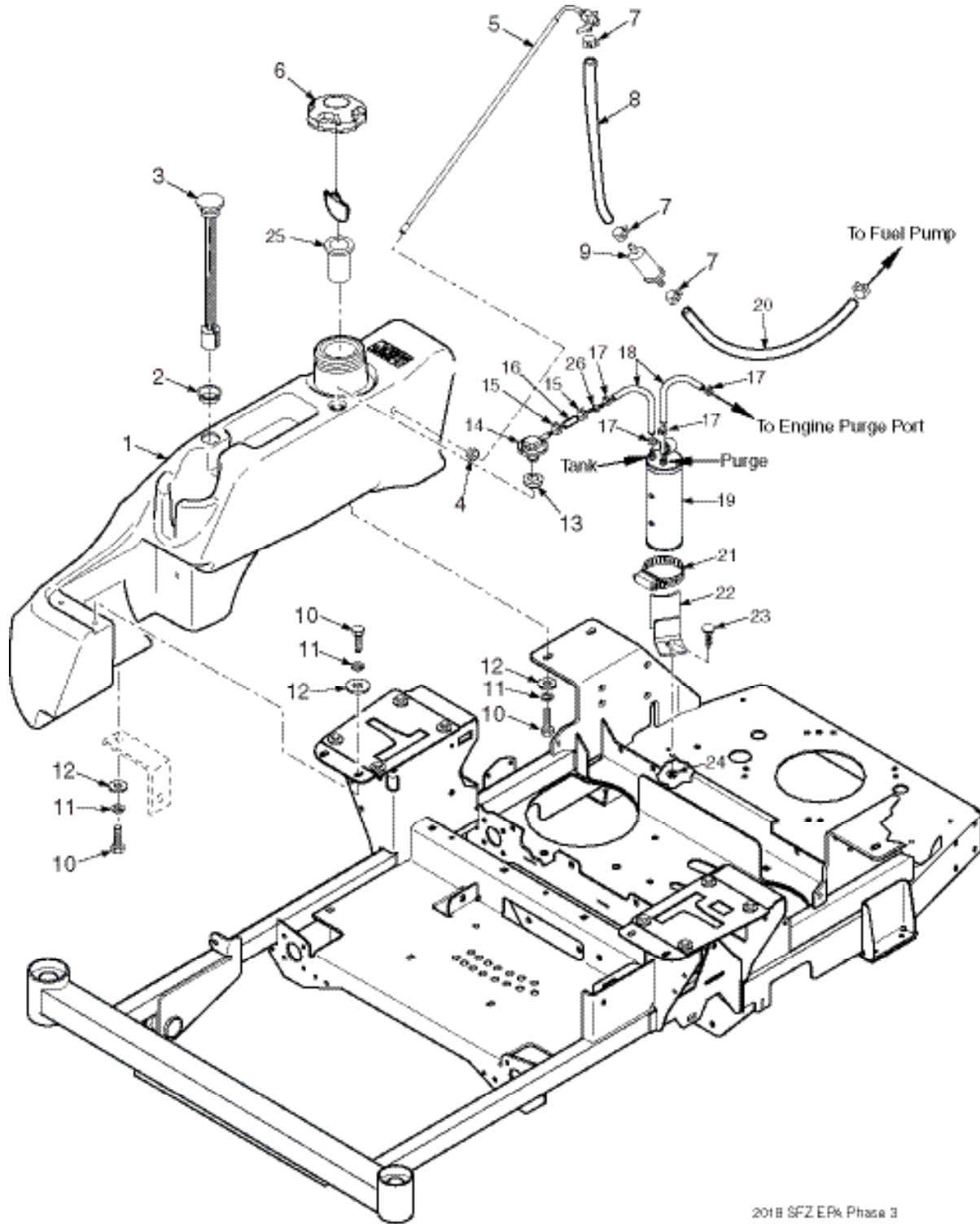
EXHAUST AND ELECTRICAL SYSTEM - SPZ

| Ref. No. | Part No. | Description |
|----------|----------|---|
| 1 | 48298 | Fuse, 20 amp |
| 2 | 483473 | Switch |
| 3 | 485991 | Wire Harness, Main |
| | 483529 | Wire Harness Adapter, Kawasaki (not shown) |
| 4 | 483474 | Switch, Seat |
| 5 | 484565 | Hourmeter |
| 6 | 48029-13 | Battery Cable, Red 25" |
| 7 | 48029-11 | Battery Cable, Black 27" |
| 8 | 04001-44 | Bolt, Hex Head 1/4-20 x 1/2" |
| 9 | 04020-02 | Nut, 1/4-20 |
| 10 | 483642 | Double Fuse Assy. (incl. items 1, 14, 15, 46) |
| 11 | 482588 | Clip, Wire |
| 12 | 04110-03 | U-Nut, 3/8-16 |
| 13 | 04107-03 | Bolt, Hex Head 3/8-16 x 1-1/4" Special Lock |
| 14 | 483571 | Cover, Sealed Double |
| 15 | 483629 | Fuse Holder |
| 16 | 04030-03 | Lockwasher, 5/16" Spring |
| 17 | 04017-04 | Bolt, Hex Head 1/4-20 x 1/2" Serr. Flange |
| 18 | 461996 | Battery Cover (incl. items 19 & 20) |
| 19 | 483452 | Pad, Battery Hold Down |
| 20 | 483508 | Rubber Pad |
| 21 | 483665 | Battery (not avail. through Scag) |
| 22 | 484209 | Muffler |
| 23 | ** | Exhaust Gasket |
| 24 | ** | Lockwasher |
| 25 | ** | Bolt |
| 26 | 04040-15 | Flatwasher, 5/16-.375 x .875 x .083 |
| 27 | 04001-32 | Bolt, Hex Head 3/8-16 x 1-1/4" |
| | 04030-04 | Lockwasher, 3/8" Spring |

| Ref. No. | Part No. | Description |
|----------|----------|-------------------------------|
| 28 | 04001-08 | Bolt, Hex Head 5/16-18 x 3/4" |
| 29 | 483957 | PTO Switch |
| 30 | 485709 | Tank, LH - SPZ |
| 31 | 483434 | Throttle Cable |
| 32 | 462036 | Instrument Panel w/Decal |
| 33 | 483435 | Choke Cable |
| 34 | 483472 | Ignition Switch |
| 35 | 483609 | Key w/Shroud |
| | 462069 | Key Assembly w/Fob |

** Available through engine manufacturer only.

SPZ FUEL SYSTEM

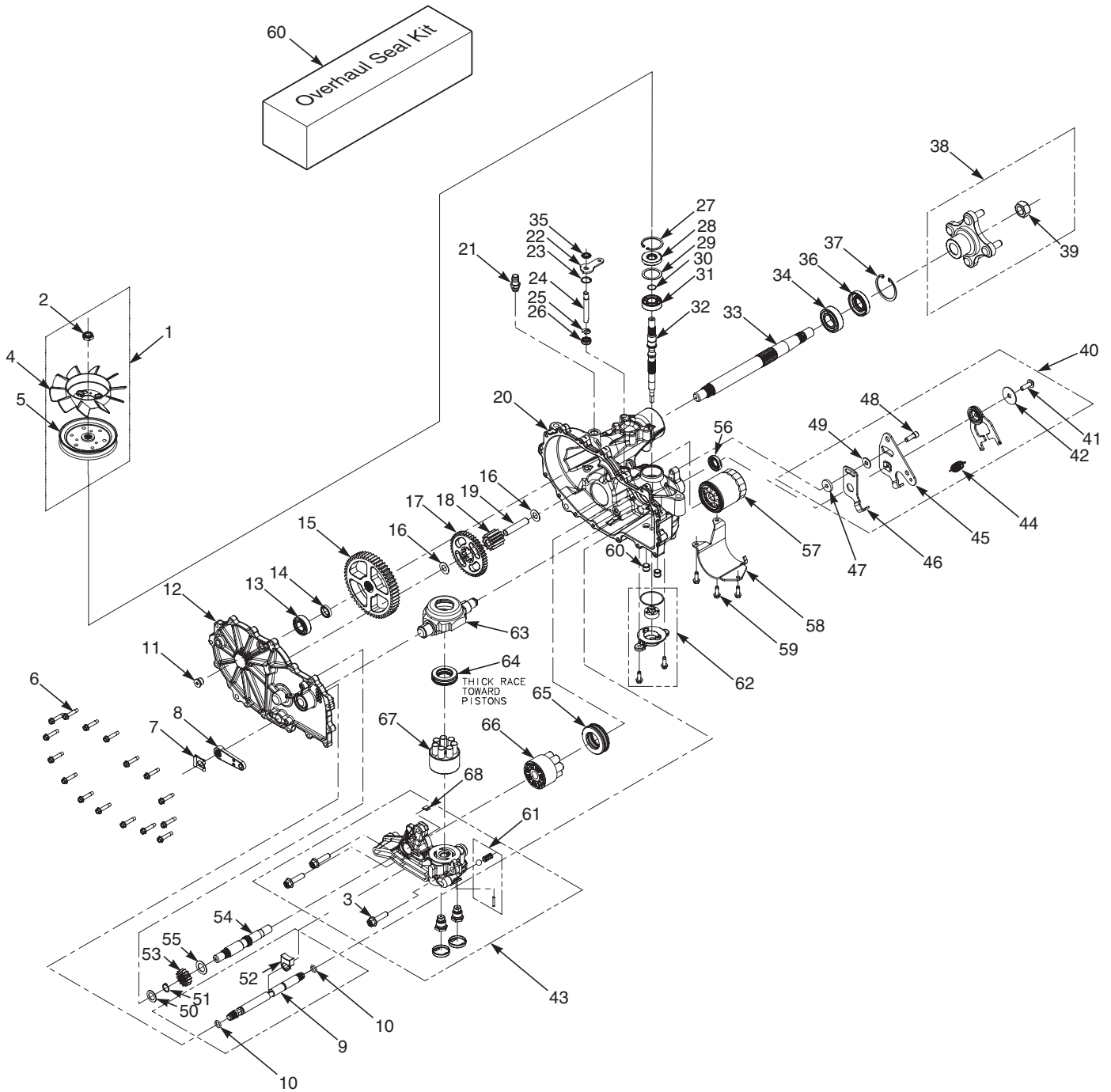


SPZ FUEL SYSTEM

| Ref. No. | Part No. | Description |
|----------|-----------|--|
| 1 | 462882 | Fuel Tank Assembly - SPZ |
| 2 | 484242 | Grommet, Fuel Gauge |
| 3 | 484243 | Fuel Gauge Assembly |
| 4 | 482571 | Bushing, .56 Dia. Viton |
| 5 | 483555 | Fuel Tube Assembly |
| 6 | 484286 | Fuel Cap, Tethered |
| | 484297 | Fuel Cap w/Tethered - California Models Only (not shown) |
| 7 | 48059-01 | Clamp, Fuel Hose 1/4" |
| 8 | 483617 | Fuel Hose, 1/4" Non-Perm (order by inch) |
| 9 | * | Fuel Filter |
| 10 | 04001-08 | Bolt, Hex Head 5/16-18 x 3/4" |
| 11 | 04030-03 | Lockwasher, 5/16" Spring |
| 12 | 04040-15 | Flatwasher, 5/16-.375 x .875 x .083 |
| 13 | 484285 | Grommet, Viton |
| 14 | 484333 | Remote Vent |
| 15 | 48059-02 | Clamp, Fuel Hose 7/32" |
| 16 | 484347 | Hose, 1/4" Vapor Recovery (order by inch) |
| 17 | 48059-05 | Clamp, Vapor Recovery Hose |
| 18 | 484345 | Hose, 3/16" (order by inch) |
| 19 | 484342 | Carbon Canister |
| 20 | * | Fuel Hose |
| 21 | 48136-17 | Clamp, Hose |
| 22 | 452226 | Bracket Weldment, SFZ |
| 23 | 04003-12 | Bolt, Carriage 5/16-18 x 3/4" |
| 24 | 04019-03 | Nut, Serrated Flange 5/16-18 |
| 25 | 484279-01 | Tube, Fuel Tank Insert |
| 26 | 484343-01 | Mender, 1/4 x 3/16 w/0.02 Hole |

* = Available through engine manufacturer only.

ZT-3100 HYDRAULIC AXLE ASSEMBLY - SPZ52

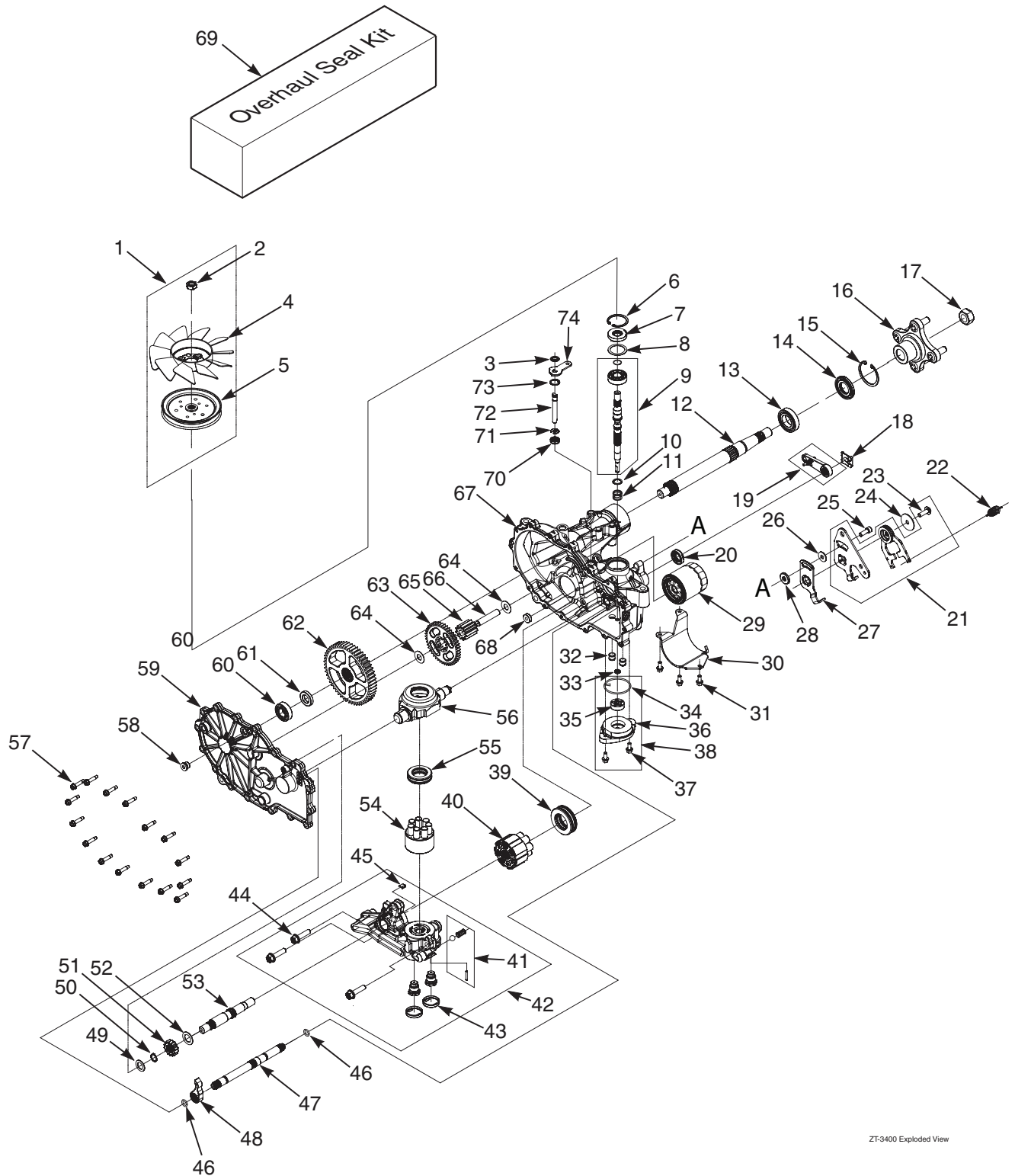


ZT-3100 HYDRAULIC AXLE ASSEMBLY - SPZ52

| Ref. No. | Part No. | Description |
|----------|----------------|--------------------------------------|
| 1 | HG72125 | Kit, Fan & Pulley |
| 2 | HG51244 | Nut, Hex Locking 1/2-20 |
| 3 | HG52137 | Bolt, Hex Head 3/8-16 x 1-1/2" Patch |
| 4 | HG53823 | Fan, 7" Dai. (10 Blade) |
| 5 | HG52364 | Pulley, Cupped 4-1/2" Dia. |
| | HG52366 | Hub, Pulley |
| 6 | HG51190 | Bolt, Hex Head 1/4-20 x 1-1/4" |
| 7 | HG52027 | Clip, Retaining |
| 8 | HG52639 | Handle, Brake |
| 9 | HG52640 | Shaft, Brake |
| 10 | HG51804 | O-Ring |
| 11 | HG9005110-5600 | Plug, 9/16-18 |
| 12 | HG71572 | Kit, Side Cover RH |
| | HG71574 | Kit, Side Cover LH |
| 13 | HG44121 | Bearing, Ball .75 x 40 x 12 |
| 14 | HG52161 | Spacer, .75 x 1.0 x .257 |
| 15 | HG52108 | Gear, 54T |
| 16 | HG50132 | Washer, .5 x 1.0 x .03 |
| 17 | HG52110 | Gear, 45T |
| 18 | HG52586 | Gear, 11T |
| 19 | HG51083 | Jackshaft Pin |
| 20 | HG71413 | Kit, Housing RH |
| | HG71421 | Kit, Housing LH |
| 21 | 482800-03 | Fitting |
| 22 | HG51329 | Arm, By-Pass |
| 23 | HG51627 | Ring, Retaining .750 Internal |
| 24 | HG52136 | Rod, By-Pass |
| 25 | HG51628 | Ring, .Retaining .375 External |
| 26 | HG51626 | Seal, Lip .375 x .75 x .25 |
| 27 | HG50329 | Ring, Retaining 2.06 Internal |
| 28 | HG51161 | Seal, Lip 17 x 40 x 7 |
| 29 | HG50951 | Washer, 1.23 x 1.56 x .04 |
| 30 | HG2000022 | Ring, Retaining Wire |
| 31 | HG50315 | Bearing, Ball 17 x 40 x 12 Open |
| 32 | HG52155 | Shaft, Input |
| 33 | HG71569 | Shaft Kit, Axle |
| 34 | HG50771 | Bearing, Ball 1.0 x 52 x 15 Open |
| 35 | HG51630 | Ring, Retaining .375 External |

| Ref. No. | Part No. | Description |
|----------|----------|---|
| 36 | HG50772 | Seal, Lip 25 x 52 x 10 TC Gray |
| 37 | HG50859 | Ring, Retaining 2.06 Internal |
| 38 | HG71505 | Hub Kit |
| 39 | HG50863 | Nut, Hex Locking |
| 40 | HG71595 | Kit, RTN Assembly (Does not include #44, 46, 47, 48, 49) |
| 41 | HG51812 | Bolt, 5/16-24 x 1" Patch |
| 42 | HG51950 | Washer, .343 x 1.5 x .062 |
| 43 | HG71565 | Kit, Center Section RH |
| | HG71566 | Kit, Center Section LH |
| 44 | HG51605 | Spring |
| 45 | HG52682 | Arm, Control |
| 46 | HG51945 | Arm, Neutral RH |
| | HG51946 | Arm, Neutral LH |
| 47 | HG52527 | Spacer, .320 x 1.005 x .179 |
| 48 | HG51616 | Bolt, 5/16-24 x 1" Patch |
| 49 | HG44130 | Washer, .34 x .88 x .06 |
| 50 | HG44371 | Washer, .63 x 1.0 x .05 |
| 51 | HG44145 | Ring, Retaining |
| 52 | HG52641 | Pawl, Brake |
| 53 | HG52341 | Gear, 14T |
| 54 | HG52150 | Shaft, Motor |
| 55 | HG51069 | Washer, .72 x 1.16 x .04 |
| 56 | HG51140 | Seal, Lip 18 x 32 x 7 |
| 57 | HG52114 | Filter |
| 58 | HG52257 | Filter Guard |
| 59 | HG50752 | Bolt, 1/4-20 x 3/4" |
| 60 | HG71410 | Seal Kit |
| 61 | HG71436 | Kit, Charge Relief |
| 62 | HG71411 | Kit, Charge Pump |
| 63 | HG51048 | Trunnion Swashplate |
| 64 | HG50551 | Thrust Bearing |
| 65 | HG51462 | Thrust Bearing |
| 66 | HG71579 | Kit, Motor Cylinder Block |
| 67 | HG70723 | Kit, Cylinder Block |
| 68 | HG71448 | Plate, By-Pass |
| 69 | HG71436 | Kit, Charge Relief |

ZT-3400 HYDRAULIC AXLE ASSEMBLY - SPZ61



ZT-3400 HYDRAULIC AXLE ASSEMBLY - SPZ61

| Ref. No. | Part No. | Description |
|----------|-----------|---|
| 1 | HG71907 | Kit, Fan & Pulley |
| 2 | HG44133 | Nut, Elastic Stop 1/2-20 |
| 3 | HG51523 | Washer, OD Slotted .53 x 1.63 x .06 |
| 4 | HG52747 | Fan, 7" (10 Blade) |
| 5 | HG53435 | Pulley" |
| 6 | HG53029 | Ring, Retaining |
| 7 | HG51161 | Seal, Lip 17 x 40 x 7 |
| 8 | HG50951 | Washer, 1.23 x 1.56 x .04 |
| 9 | HG71978 | Kit, Input Shaft |
| 10 | HG2003017 | Washer, Flat .59 x .79 x .04 |
| 11 | HG2003014 | Spring, Block |
| 12 | HG53528 | Shaft, Axle |
| 13 | HG50771 | Bearing, Ball 25.4 x 52 x 15 |
| 14 | HG50772 | Seal, Lip 1 x 2.049 x .375 |
| 15 | HG50859 | Ring, Retaining 2.06 Internal |
| 16 | HG71405 | Hub, 4-Bolt |
| 17 | HG50863 | Nut, Hex Lock 3/4-16 |
| 18 | HG52027 | Clip, Retaining |
| 19 | HG52639 | Handle, Brake Actuating |
| 20 | HG51140 | Seal, Lip 12 x 32 x 7 |
| 21 | HG71595 | Kit, RTN Bi-Directional (Left Side) |
| | HG71598 | Kit, RTN Bi-Directional (Right Side) |
| 22 | HG51605 | Spring, RTN |
| 23 | HG51812 | Bolt, Hex Head Cap Screw 5/16-24 x 1" Patch |
| 24 | HG51950 | Washer, .343 x 1.5 x .062 |
| 25 | HG51616 | Bolt, Hex Head Cap Screw 5/16-24 x 1" Patch |
| 26 | HG44130 | Washer, .34 x .88 x .06 |
| 27 | HG51945 | Arm, Neutral (Right Side) |
| | HG51946 | Arm, Neutral (Left Side) |
| 28 | HG52527 | Spacer, .320 x 1.005 x .179 |
| 29 | HG52114 | Filter, Oil |
| 30 | HG52257 | Guard, Filter (Right Side) |
| | HG52247 | Guard, Filter (Left Side) |
| 31 | HG53464 | Screw, Hex Flange 1/4-20 x .625 |
| 32 | HG52157 | Tube, Connecting |
| 33 | HG53456 | Seal, Lip 8 x 12 x 3-VC |
| 34 | HG52250 | O-Ring, -.137 x .103 x 2.050 |
| 35 | HG50273 | Gerotor Assembly (1.9 cc) |
| 36 | HG53468 | Cover, Charge Pump |
| 37 | HG53464 | Screw, Hex Flange 1/4-20 x .625 |
| 38 | HG71977 | Kit, Charge Pump |
| 39 | HG51462 | Bearing, Thrust |

| Ref. No. | Part No. | Description |
|----------|-----------|----------------------------------|
| 40 | HG71579 | Assembly, Cylinder Block |
| 41 | HG71436 | Kit, Charge Relief |
| 42 | HG71972 | Kit, Center Section (Right Side) |
| | HG71973 | Kit, Center Section (Left Side) |
| 43 | HG52162 | Seal, Plug 1.250 x .250 |
| 44 | HG52137 | HFHCS, 3/8-16 X 1-1/2" Patch |
| 45 | HG51448 | Plate, By-Pass |
| 46 | HG51804 | O-Ring, -.111 x .103 x .424 |
| 47 | HG42640 | Shaft, Brake |
| 48 | HG52776 | Pawl, Brake |
| 49 | HG44371 | Washer, .63 x 1 x .05 |
| 50 | HG44145 | Ring, Retaining .625 |
| 51 | HG52342 | Gear, 13T Steel |
| 52 | HG51069 | Washer, .72 x 1.16 x .04 |
| 53 | HG52150 | Shaft, Motor |
| 54 | HG71971 | Assembly, Block 7 Piston |
| 55 | HG53502 | Bearing, Thrust |
| 56 | HG51048 | Trunnion, Swashplate |
| 57 | HG53246 | HFHCS, 1/4-20 x 1-1/8" |
| 58 | HG9005110 | Plug, 9/16-18 |
| | -5600 | |
| 59 | HG71990 | Kit, Cover (Right Side) |
| | HG71992 | Kit, Cover (Left Side) |
| 60 | HG44121 | Bearing, Ball .75 x 40 x 12 |
| 61 | HG53336 | Spacer, .750 x 1.320 x .257 |
| 62 | HG43327 | Gear, 54T |
| 63 | HG52110 | Gear, 45T |
| 64 | HG50132 | Washer, .5 X 1 X .03 |
| 65 | HG52341 | Gear, 14T Steel |
| 66 | HG51083 | Jackshaft Pin |
| 67 | HG72025 | Kit, Housing Main (Right Side) |
| | HG72026 | Kit, Housing Main (Left Side) |
| 68 | HG51100 | Magnet, Ring |
| 69 | HG71976 | Seal Kit |
| 70 | HG51626 | Seal, Lip .375 x .75 x .25 |
| 71 | HG51628 | Ring, Retaining .375 External |
| 72 | HG52136 | Rod, By-Pass |
| 73 | HG51677 | Ring, Retaining .750 Internal |
| 74 | HG51629 | Arm, By-Pass |
| 75 | HG51630 | Ring, Retaining .375 External |

REPLACEMENT DECALS AND INFORMATION PLATES

WARNING

 **INSTALL BELT COVER BEFORE OPERATING MACHINE**
READ OPERATOR'S MANUAL 483402 1

WARNING

DO NOT OPERATE WITHOUT DISCHARGE CHUTE, MULCHING KIT, OR ENTIRE GRASS CATCHER INSTALLED 483405 2

IMPORTANT

Operation on slopes can be hazardous. This machine was originally equipped with a Rollover Protection Device with a Roll Bar and Seat Belt. See your dealer if either is missing or damaged. 483425 3

DANGER

 **SPINNING BLADES**
KEEP CLEAR
BLADE CONTACT & THROWN OBJECTS CAN INJURE 4

FORWARD **R** **REVERSE**

 **F**  5

WARNING

Replace seat only with Scag approved seat with seat mounting provisions and Scag approved seat belts. Failure to follow these directions could result in injury or death in the event of a rollover. 483406 6

61
COMMERCIAL GRADE 7

WARNING

ROTATING BLADES AND BELTS

- * Keep hands, feet & clothing clear
- * Keep all guards in place
- * Shut off engine & disengage blade clutch before servicing
- * Use caution in directing discharge
- * Read instruction manual before operating

DO NOT OPERATE UNLESS GRASS CATCHER, MULCHING KIT OR DISCHARGE CHUTE IS INSTALLED 483406 8

IMPORTANT ADJUSTMENT PROCEDURES
READ OPERATORS MANUAL FOR MORE DETAILS

Check tire pressure - Drive tires-8 psi -
- Caster tires-25 psi

FREE WHEEL OPERATION
To move machine without running engine, pull both dump valve rods up and back (located at rear of machine) and latch. Pull rods forward and latch into front slot to operate mower.

NEUTRAL ADJUSTMENT

Adjusting Nut
Jamnut

To re-set neutral, loosen jamnut. With operator in seat, control levers in neutral and brake off, turn adjusting bolt until wheel doesn't creep. Tighten jam nut. Repeat for opposite side. If wheels still creep after adjustment, see an authorized Scag dealer.

HYDRAULIC FLUID LEVEL
Check hydraulic fluid level while fluid is cool. Fluid level should be in sight window. Fill with 20W50 motor oil only.

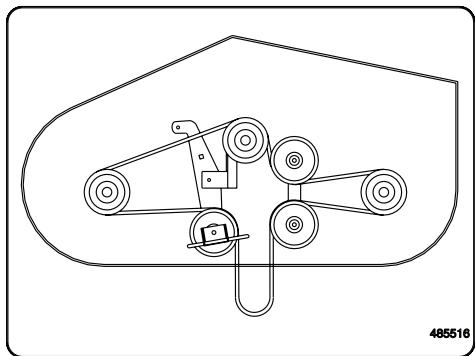
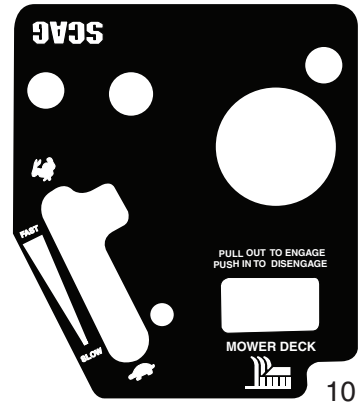
IMPORTANT
Do not overfill. Room for hot fluid expansion must be allowed or resulting expansion may cause leaks in the system


TRACKING ADJUSTMENT

Control Lever
Stop Bolt

If machine pulls to right, adjust LH control stop bolt CW (Inward) to slow left wheel down.
If machine pulls to left, adjust RH control stop bolt CW (Inward) to slow right wheel down.

483660 9



PARKING BRAKE 

TO ENGAGE PARKING BRAKE:
*Fully depress foot pedal
*Pull back and hold latch handle while releasing pedal

TO DISENGAGE PARKING BRAKE:
*Depress and release pedal


484461 13

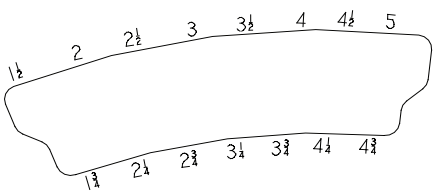
REPLACEMENT DECALS AND INFORMATION PLATES

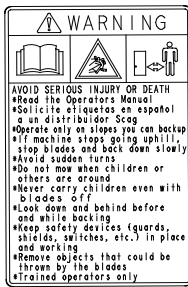
| Ref. No. | Part No. | Description |
|----------|----------|---|
| 1 | 483402 | Decal, Belt Cover |
| 2 | 483405 | Decal, Warning |
| 3 | 483425 | Decal, ROPS |
| 4 | 483505 | Decal, Spinning Blades |
| 5 | 481568 | Decal, Traction Control |
| 6 | 483633 | Decal, Seat Replacement |
| 7 | 483495 | Decal, 52 Commercial |
| | 484044 | Decal, 61 Commercial |
| 8 | 483406 | Decal, Knives |
| 9 | 483660 | Decal, Adjustment SPZ |
| 10 | 483499 | Decal, Instrument Panel |
| 11 | 485714 | Decal, Front SPZ |
| 12 | 485975 | Decal, Cutting Height - SPZ |
| 13 | 484461 | Decal, Brake |
| 14 | 485708 | Decal, SFZ / SPZ Replacement Parts |
| 15 | 485516 | Decal, SZL / SFZ / SPZ Belt Routing |
| * | 483900 | Decal, Warning Spark Arrestor (California only) - not shown |
| * | 462155 | Spanish Decal Kit - SFZ / SPZ (not shown) |
| * | 01411 | DVD Video, Tips for Safe Operation of Your Scag Zero-Turn Mower (not shown) |

SCAG PATRIOT

11








START/DRIVE PROCEDURE

- Engage parking brake
- Disengage mower deck drive
- Move control handles to neutral position
- Start Engine
- Release parking brake
- Select forward or reverse with hydro control levers



DECK LATCH RELEASE

12

Always use original Scag replacement parts for top machine performance and to maintain factory warranty.

| SCAG Replacement Parts Numbers FREEDOM Z PATRIOT | |
|---|---------|
| POWER EQUIPMENT | |
| Belt, Transmission Drive (48" & 52") | 483314 |
| Belt, Transmission Drive (61") | 484372 |
| Belt, Cutter Deck (48") | 483325 |
| Belt, Cutter Deck (52") | 483326 |
| Belt, Cutter Deck (61") | 484031 |
| Standard Blade, Cutter (48") | 482877 |
| Standard Blade, Cutter (52") | 482878 |
| Standard Blade, Cutter (61") | 482879 |
| Filter, Hydraulic (25 micron) | HG52114 |

See your authorized Scag dealer for engine part numbers.

14

SPZ - ELECTRICAL SCHEMATIC

(shown with Key Off, PTO Off, Park Brake Applied, Control Handles in Neutral, Seat Switch Disengaged)

