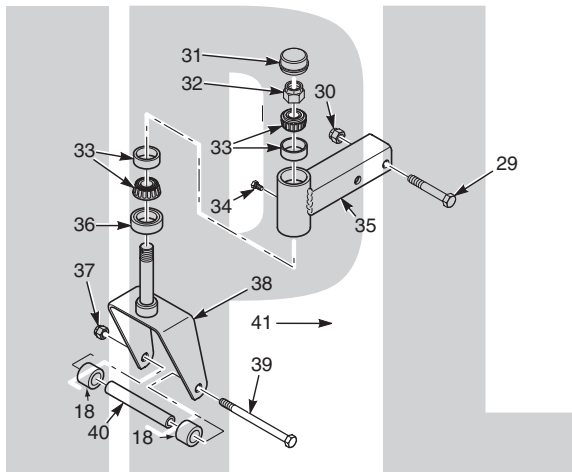


SCAG[®]

POWER EQUIPMENT



ILLUSTRATED PARTS MANUAL



Model SPZ Patriot

THIS MANUAL CONTAINS THE ILLUSTRATED PARTS LIST FOR MODELS:

**SPZ-52H-22FX
SPZ-52H-23CV
SPZ-52H-26BV
SPZ-61H-23FX
SPZ-61H-25CV
SPZ-61H-26BV**

**with a serial number of S6800000 to S6899999
with a serial number of S6900000 to S6999999
with a serial number of S7000000 to S7099999
with a serial number of S7100000 to S7199999
with a serial number of S7200000 to S7299999
with a serial number of S7300000 to S7399999**

Table of Contents

SCAG APPROVED ATTACHMENTS AND ACCESSORIES.....	2
52H CUTTER DECK.....	4
61H CUTTER DECK.....	6
CUTTER DECK CONTROLS - SPZ52H	8
CUTTER DECK CONTROLS - SPZ61H	10
SHEET METAL COMPONENTS - SPZ.....	12
SPZ SUSPENSION SEAT	14
BRAKE COMPONENTS - SPZ	16
SPZ ROLL-OVER PROTECTION SYSTEM.....	18
DRIVE SYSTEM COMPONENTS - SPZ52 & SPZ61.....	20
EXHAUST AND ELECTRICAL SYSTEM - SPZ	22
SPZ FUEL SYSTEM.....	24
ZT-3100 HYDRAULIC AXLE ASSEMBLY - SPZ52.....	26
ZT-3400 HYDRAULIC AXLE ASSEMBLY - SPZ61.....	28
REPLACEMENT DECALS AND INFORMATION PLATES.....	30
SPZ - ELECTRICAL SCHEMATIC.....	32

ILLUSTRATED PARTS LIST

8.1 SCAG APPROVED ATTACHMENTS AND ACCESSORIES.

Attachments and accessories manufactured by companies other than Scag Power Equipment are not approved for use on this machine.

Scag approved attachments and accessories:

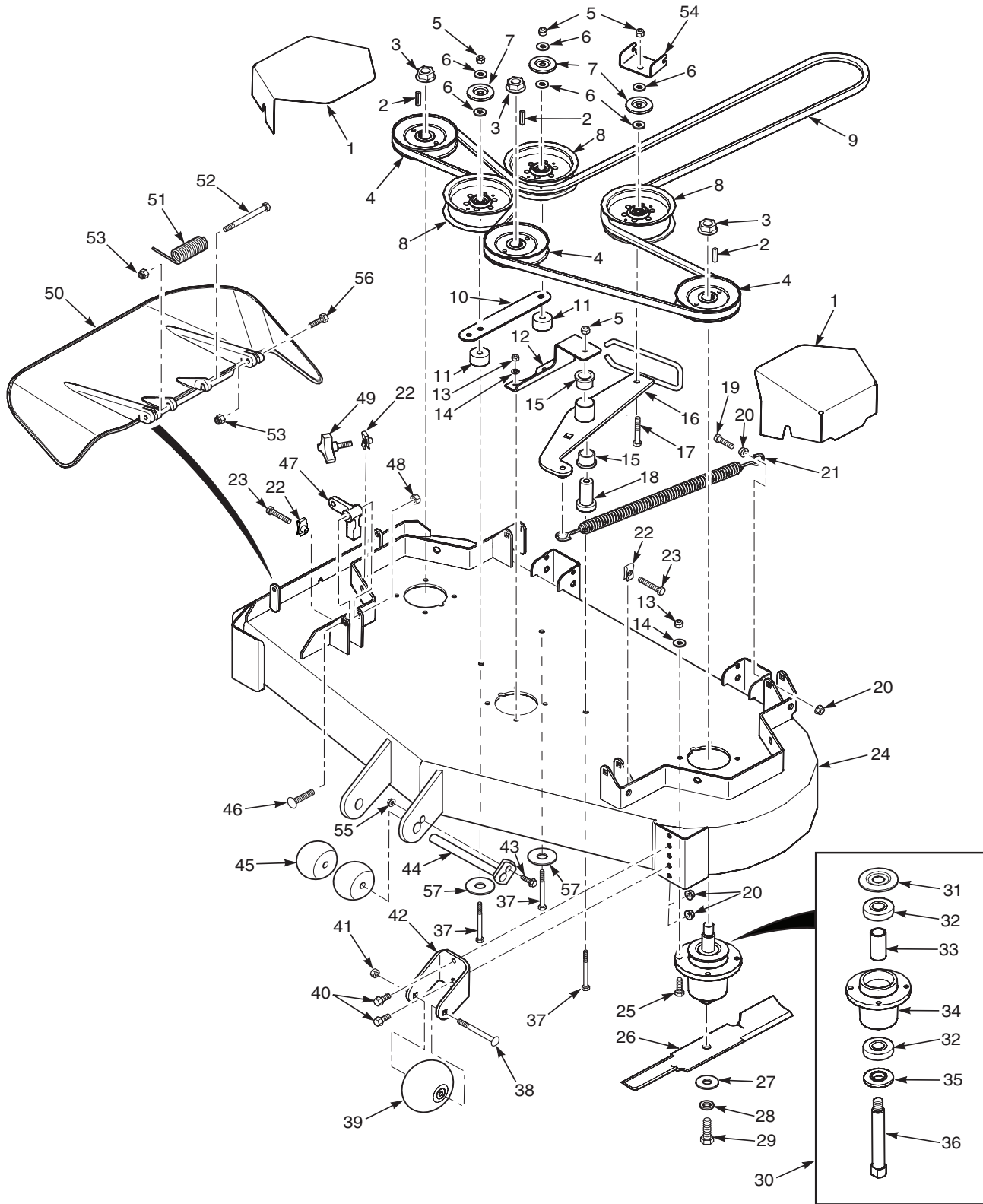
- GC-SZL/SFZ/SPZ (p/n 901K, requires p/n 901H or 901J Install Kit)
- GC-2B (Blower Driven)(p/n 901G, requires p/n 901H or 901J Install Kit)
- Mulch Plate (p/n 9299, 920U)
- Hurricane Mulch (p/n 9294, 920T)
- SZL/SFZ/SPZ/STT/STTII Hitch (p/n 9242)
- GC-F4 (p/n 9075)
- Blade Buddy (p/n 9212)
- SFZ/SPZ Lights (LED p/n 924A)
- 12" Chrome Wheel Covers (set of 2) (p/n 920J)
- Flat Free Tires (p/n 9277 or 9278)
- SPZ Striper (923F) - Requires Install Kit 921T

Scag Premium Lubricants:

- Chassis Grease (p/n 486257)
- 20W50 Oil - Gallon (p/n 486254)
- 20W50 Oil - Quart (p/n 486255)

NOTES

52H CUTTER DECK



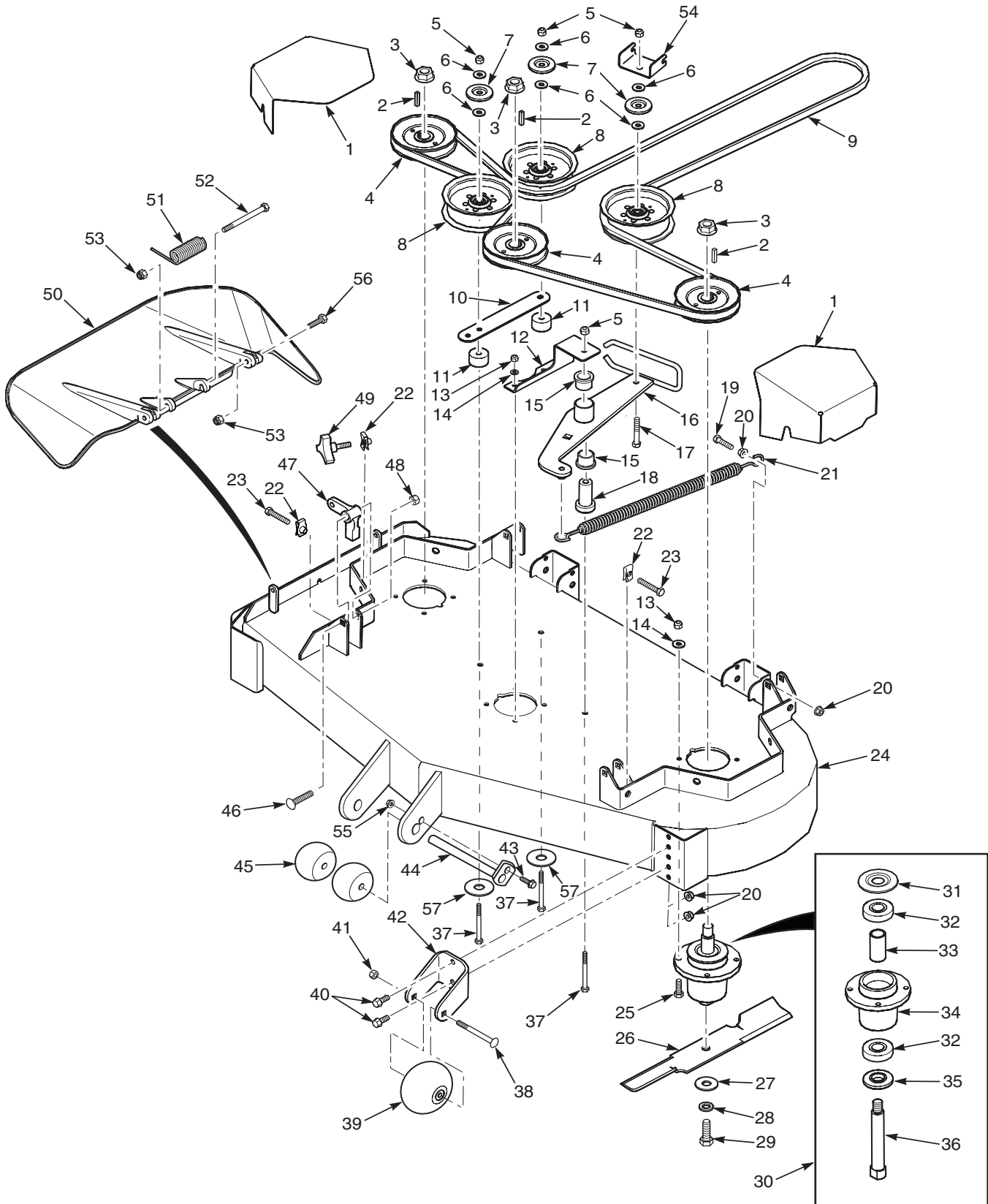
52H CUTTER DECK

Ref. No.	Part No.	Description
1	424528	Belt Cover
2	04063-01	Key, 1/4 x 1/4 x 1-1/4"
3	04112-06	Nut, 3/4-16 Spiral Lock
4	483324	Pulley, 5.73" OD - 25mm Bore
5	04021-09	Nut, Elastic Stop 3/8-16
6	04043-04	Flatwasher, 3/8-.391 x .938 x .105
7	424367	Dust Shield
8	483422	Pulley, 5" Idler
9	483326	Belt, Cutter Deck
10	424479	Brace, Pulley
11	43711	Spacer
12	424547	Support, Idler Pivot
13	04021-22	Nut, Elastic Stop
14	04030-03	Lockwasher, 5/16 Spring
15	483453-03	Bearing
16	462037	Idler Arm (incl. item #15)
17	04001-31	Bolt, Hex Head 3/8-16 x 2-1/2"
18	43708	Pivot, Idler
19	04001-136	Bolt, Hex Head 3/8-16 x 1-1/2 Gr.8
20	04019-04	Nut, Serrated Flange 3/8-16
21	483375	Spring, Idler
22	04110-03	U-Nut, 3/8-16
23	04107-04	Bolt, Hex Head 3/8-16 x 2"Special Lock
24	463308	Cutter Deck w/Decals, SPZ52
25	04001-11	Bolt, Hex Head 5/16-18 x 1-1/2"
26	482878	Cutter Blade, 18"
27	04043-06	Flatwasher, 5/8-.688 x 1.75 x .134 HD
28	04030-07	Lockwasher, 1/2 Spring
29	04001-121	Bolt, Hex Head 5/8-11 x 1-1/2"
30	461950	Spindle Assembly

Ref. No.	Part No.	Description
31	483304	Debris Shield
32	483303	Bearing
33	43693	Spacer
34	462014	Spindle Housing Assembly (Incl. item #32, 33)
35	43694	Protector, Bearing
36	43695	Shaft, Spindle
37	04001-77	Bolt, Hex Head 3/8-16 x 3-1/2"
38	04003-26	Bolt, Carriage 3/8-16 x 4"
39	481632	Wheel, Anti-Scalp
40	04017-27	Bolt, Hex Head 3/8-16 x 1" Ser. Flg.
41	04021-05	Nut, Center Lock 3/8-16
42	427865	Bracket, Anti-Scalp, (Black)
43	04001-09	Bolt, Hex Head 5/16-18 x 1"
44	451926	Shaft Weldment
45	482295	Wheel, Anti-Scalp
46	04003-42	Bolt, Carriage 7/16-14 x 2-1/4"
47	483361	Lever, Deck Level
48	04021-11	Nut, Elastic Stop 7/16-14
49	481625-01	Knob w/Stud
50	462032	Discharge Chute Assy.
*	462474	CA Discharge Chute, 52
51	482245	Spring, Discharge Chute
52	04001-154	Bolt, Hex Head 5/16-18 x 4-3/4"
53	04021-10	Nut, Elastic Stop 5/16-18
54	424615	Bracket, Belt Guide
55	04019-03	Nut, Serrated Flange 5/16-18
56	04001-12	Bolt, Hex Head 5/16-18 x 1-3/4"
57	04041-38	Flatwasher, 3/8-.406 x 2.25 x .1875
*	424211	Turbo Baffle

* = California Models Only (not shown)

61H CUTTER DECK



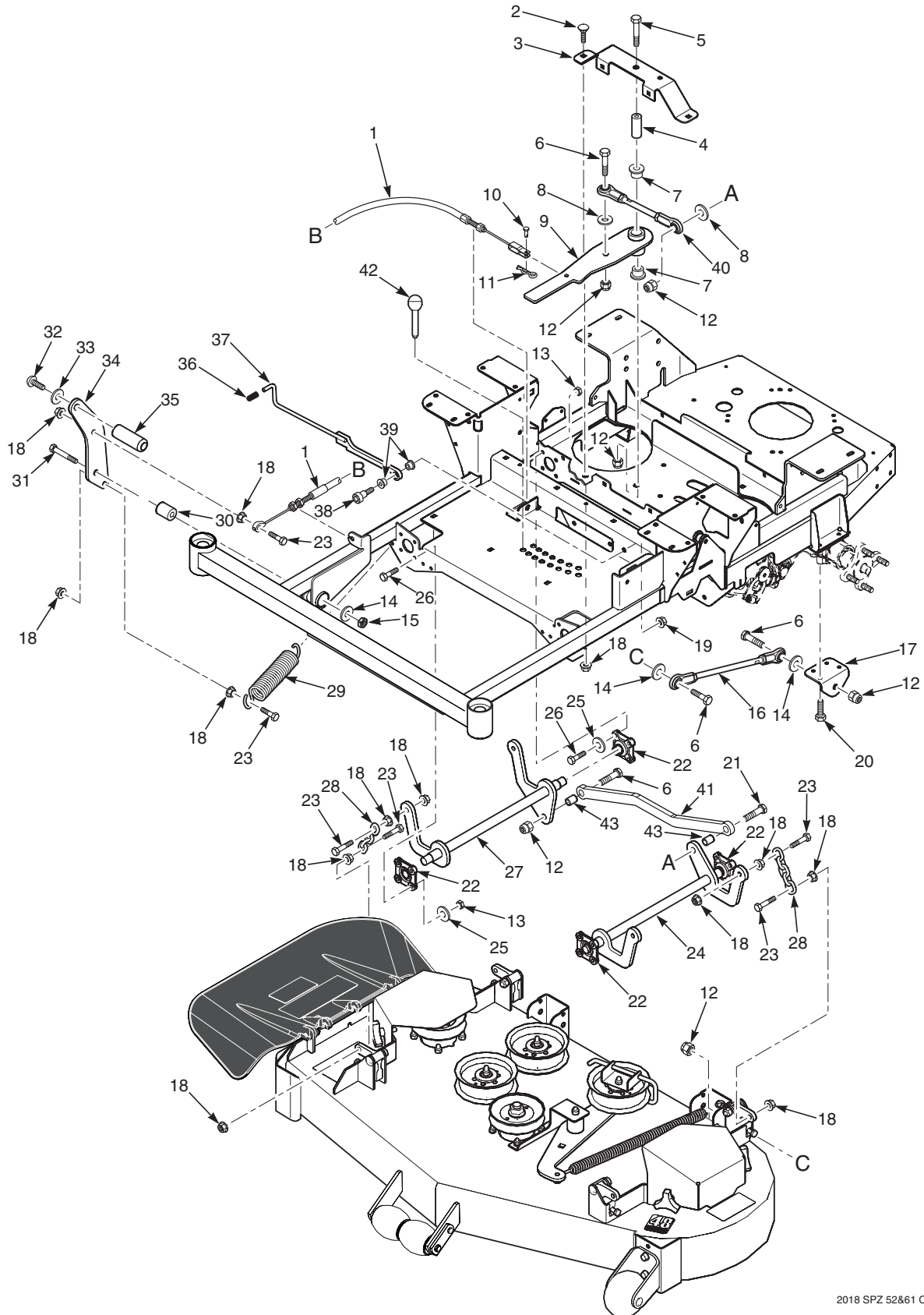
61H CUTTER DECK

Ref. No.	Part No.	Description
1	425260	Belt Cover
2	04063-01	Key, 1/4 x 1/4 x 1-1/4"
3	04112-06	Nut, 3/4-16 Spiral Lock
4	484026	Pulley, 6.32" OD - 25mm Bore
5	04021-09	Nut, Elastic Stop 3/8-16
6	04043-04	Flatwasher, 3/8-.391 x .938 x .105
7	424367	Dust Shield
8	483422	Pulley, 5" Idler
9	484031	Belt, Cutter Deck
10	424479	Brace, Pulley
11	43711	Spacer
12	425264	Support, Idler Pivot
13	04021-22	Nut, Elastic Stop
14	04030-03	Lockwasher, 5/16 Spring
15	483453-03	Bearing
16	462037	Idler Arm (incl. item #15)
17	04001-31	Bolt, Hex Head 3/8-16 x 2-1/2"
18	43708	Pivot, Idler
19	04001-136	Bolt, Hex Head 3/8-16 x 1-1/2 Gr.8
20	04019-04	Nut, Serrated Flange 3/8-16
21	483375	Spring, Idler
22	04110-03	U-Nut, 3/8-16
23	04107-04	Bolt, Hex Head 3/8-16 x 2" Special Lock
24	463309	Cutter Deck w/Decals, SPZ61
25	04001-11	Bolt, Hex Head 5/16-18 x 1-1/2"
26	482879	Cutter Blade, 21"
27	04043-06	Flatwasher, 5/8-.688 x 1.75 x .134 HD
28	04030-07	Lockwasher, 1/2 Spring
29	04001-121	Bolt, Hex Head 5/8-11 x 1-1/2"
30	461950	Spindle Assembly

Ref. No.	Part No.	Description
31	483304	Debris Shield
32	483303	Bearing
33	43693	Spacer
34	462014	Spindle Housing Assembly (Incl. item #32, 33)
35	43694	Protector, Bearing
36	43695	Shaft, Spindle
37	04001-77	Bolt, Hex Head 3/8-16 x 3-1/2"
38	04003-26	Bolt, Carriage 3/8-16 x 4"
39	481632	Wheel, Anti-Scalp
40	04017-27	Bolt, Hex Head 3/8-16 x 1" Ser. Flg.
41	04021-05	Nut, Center Lock 3/8-16
42	427865	Bracket, Anti-Scalp, (Black)
43	04001-09	Bolt, Hex Head 5/16-18 x 1"
44	451926	Shaft Weldment
45	482295	Wheel, Anti-Scalp
46	04003-42	Bolt, Carriage 7/16-14 x 2-1/4"
47	483361	Lever, Deck Level
48	04021-11	Nut, Elastic Stop 7/16-14
49	481625-01	Knob w/Stud
50	462213	Discharge Chute Assembly
*	462476	CA Discharge Chute, SMFZ-61
51	482245	Spring, Discharge Chute
52	04001-154	Bolt, Hex Head 5/16-18 x 4-3/4"
53	04021-10	Nut, Elastic Stop 5/16-18
54	424615	Bracket, Belt Guide
55	04019-03	Nut, Serrated Flange 5/16-18
56	04001-12	Bolt, Hex Head 5/16-18 x 1-3/4"
57	04041-38	Flatwasher, 3/8-.406 x 2.25 x .1875
*	425867	Turbo Baffle

* = California Models Only (not shown)

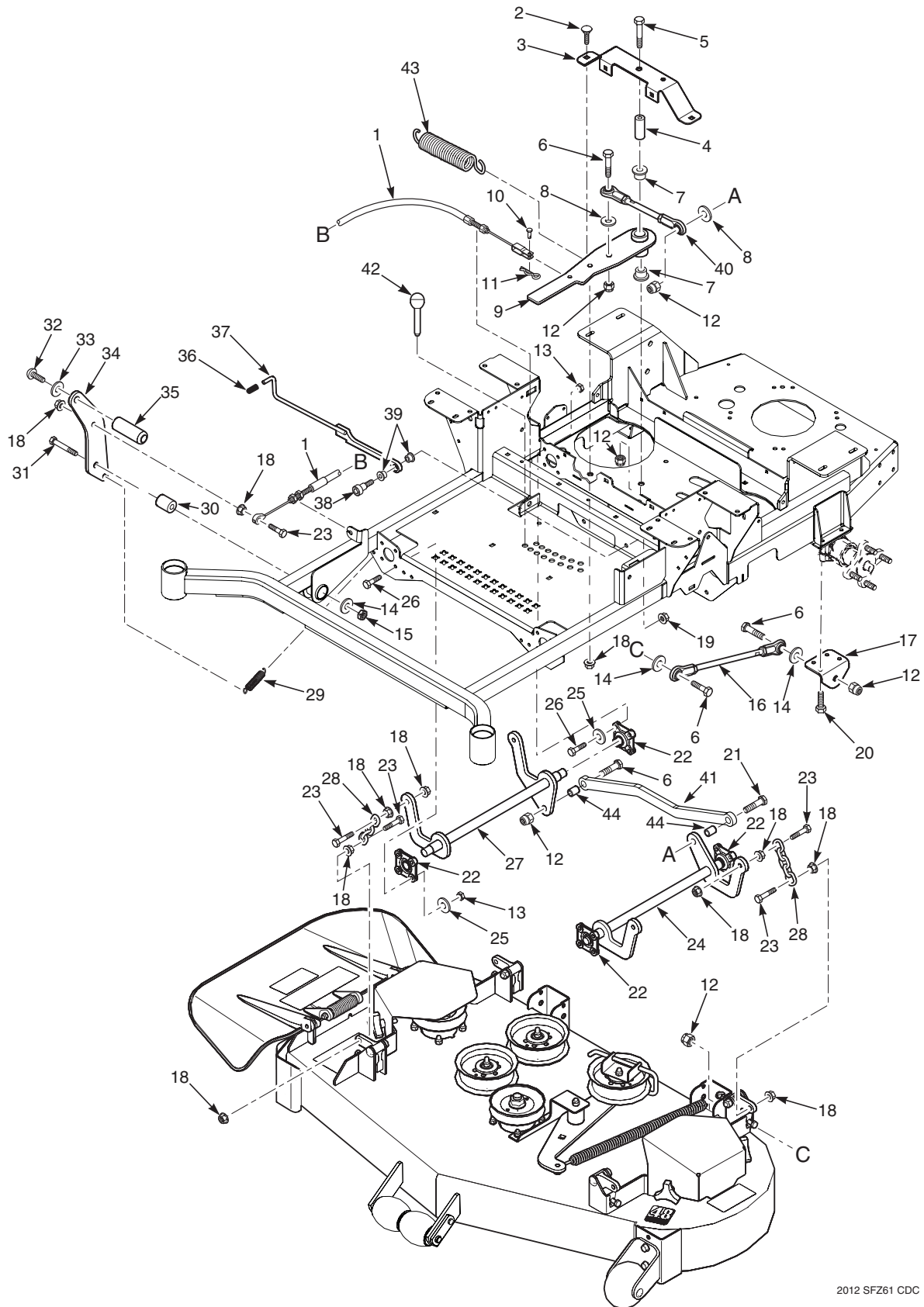
CUTTER DECK CONTROLS - SPZ52H



CUTTER DECK CONTROLS - SPZ52H

Ref. No.	Part No.	Description
1	483341	Cable, Deck Lift
2	04003-31	Bolt, Carriage 3/8-16 x 3/4"
3	424476	Support, Idler Arm
4	43710	Spacer, Deck Lift Pivot
5	04001-90	Bolt, Hex Head 1/2-13 x 3-3/4"
6	04001-72	Bolt, Hex Head 1/2-13 x 2"
7	483453-03	Bearing
8	04040-07	Flatwasher, 1/2-.531 x 1.06 x .095
9	462215	Deck Lift Bellcrank Assembly
10	04064-17	Clevis Pin, 5/16 x 3/4"
11	04062-01	Hair Pin, .094 x 1.62"
12	04021-07	Nut, Elastic Stop 1/2-13
13	04021-10	Nut, Elastic Stop 5/16-18
14	04040-13	Flatwasher, 1/2-.562 x 1.375 x .109
15	04021-09	Nut, Center Lock 1/2-13
16	483332	Linkage, Push Arm
17	424489	Bracket, Push Arm Link
18	04019-04	Nut, Serrated Flange 3/8-16
19	04021-09	Nut, Elastic Stop 3/8-16
20	04001-49	Bolt, Hex Head 5/16-18 x 3"
21	04001-74	Bolt, Hex Head 1/2-13 x 3"
22	483334	Bearing, Deck Lift
23	04001-20	Bolt, Hex Head 3/8-16 x 1-1/2"
24	451868	Weldment, Deck Lift LH
25	04040-14	Flatwasher, 1/4-.312 x .750 x .065
26	04001-09	Bolt, Hex Head 5/16-18 x 1"
27	451867	Weldment, Deck Lift RH
28	482628	Chain, Deck Lift
29	483374	Spring, Deck Lift
30	43710	Sleeve, Deck Lift Pivot
31	04001-74	Bolt, Hex Head 1/2-13 x 3"
32	04105-01	Bolt, Head Socket 5/8-11 x 1-1/2"
33	04030-07	Lockwasher, 5/8 Spring
34	424535	Pedal, Foot Bracket
35	424504	Foot Pedal
36	483492	Grip, Deck Latch
37	491254	Weldment, Deck Latch
38	04009-06	Bolt, Shoulder 1/2 x 1/2
39	483453-10	Bearing
40	483328	Linkage Assembly, Deck Lift
41	426579	Link, Deck Lift
42	483498	Pin, Height Adjuster
43	43957	Sleeve

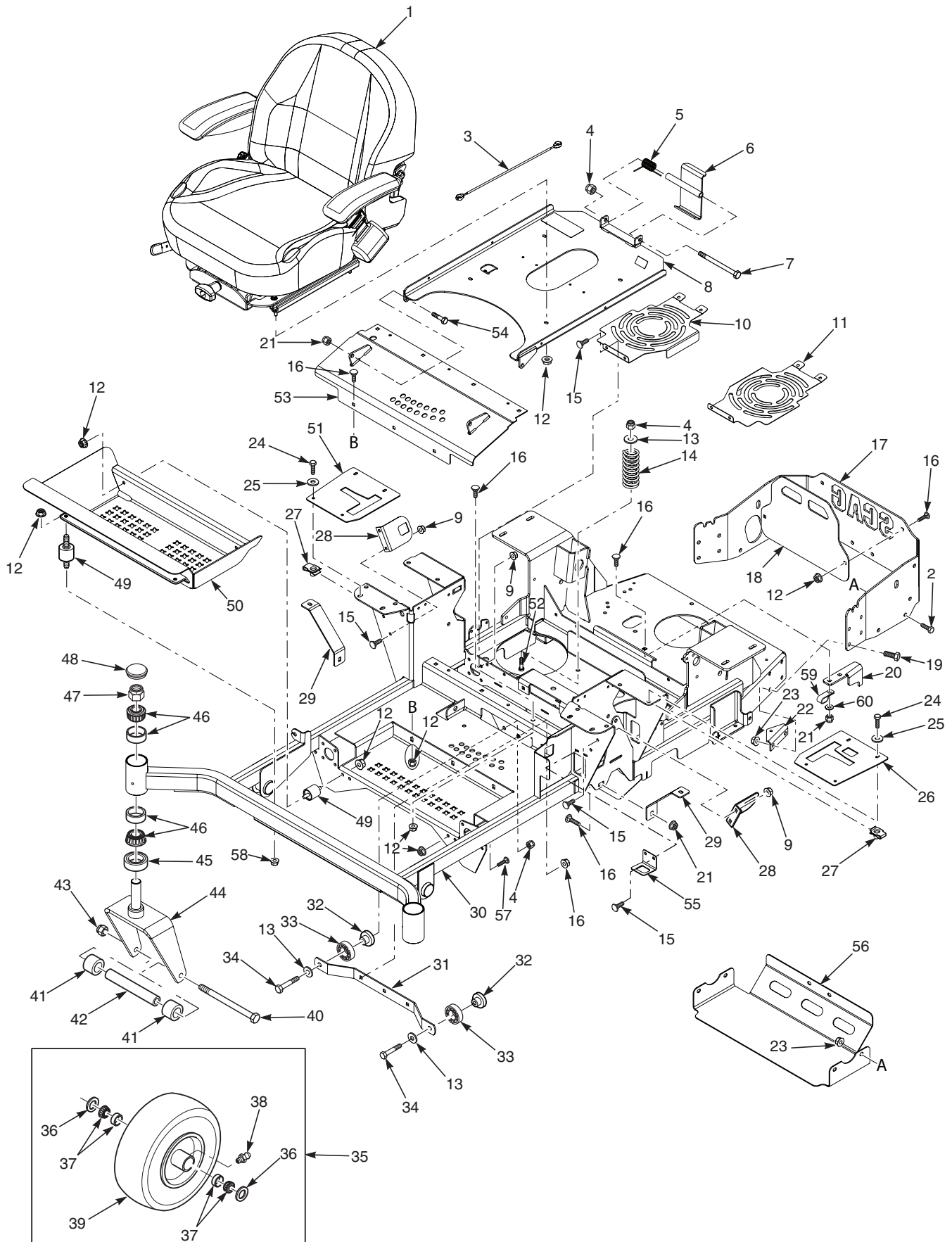
CUTTER DECK CONTROLS - SPZ61H



CUTTER DECK CONTROLS - SPZ61H

Ref. No.	Part No.	Description
1	483341	Cable, Deck Lift
2	04003-31	Bolt, Carriage 3/8-16 x 3/4"
3	424476	Support, Idler Arm
4	43710	Spacer, Deck Lift Pivot
5	04001-90	Bolt, Hex Head 1/2-13 x 3-3/4"
6	04001-72	Bolt, Hex Head 1/2-13 x 2"
7	483453-03	Bearing
8	04040-07	Flatwasher, 1/2-.531 x 1.06 x .095
9	462215	Deck Lift Bellcrank Assembly
10	04064-17	Clevis Pin, 5/16 x 3/4"
11	04062-01	Hair Pin, .094 x 1.62"
12	04021-07	Nut, Elastic Stop 1/2-13
13	04117-01	Nut, Elastic Stop Flange 5/16-18
14	04040-13	Flatwasher, 1/2-.562 x 1.375 x .109
15	04021-09	Nut, Center Lock 1/2-13
16	483332	Linkage, Push Arm
17	424489	Bracket, Push Arm Link
18	04019-04	Nut, Serrated Flange 3/8-16
19	04021-09	Nut, Elastic Stop 3/8-16
20	04001-49	Bolt, Hex Head 5/16-18 x 3"
21	04001-74	Bolt, Hex Head 1/2-13 x 3"
22	483334	Bearing, Deck Lift
23	04001-20	Bolt, Hex Head 3/8-16 x 1-1/2"
24	452112	Weldment, Deck Lift LH
25	04040-14	Flatwasher, 1/4-.312 x .750 x .065
26	04001-09	Bolt, Hex Head 5/16-18 x 1"
27	452113	Weldment, Deck Lift RH
28	482628	Chain, Deck Lift
29	484038	Spring, Deck Lift
30	43710	Sleeve, Deck Lift Pivot
31	04001-74	Bolt, Hex Head 1/2-13 x 3"
32	04105-01	Bolt, Head Socket 5/8-11 x 1-1/2"
33	04030-07	Lockwasher, 5/8 Spring
34	424844	Pedal, Foot Bracket
35	424504	Foot Pedal
36	483492	Grip, Deck Latch
37	491254	Weldment, Deck Latch
38	04009-06	Bolt, Shoulder 1/2 x 1/2
39	483453-10	Bearing
40	483328	Linkage Assembly, Deck Lift
41	426579	Link, Deck Lift
42	483498	Pin, Height Adjuster
43	483374	Spring, Deck Lift
44	43957	Sleeve

SHEET METAL COMPONENTS - SPZ

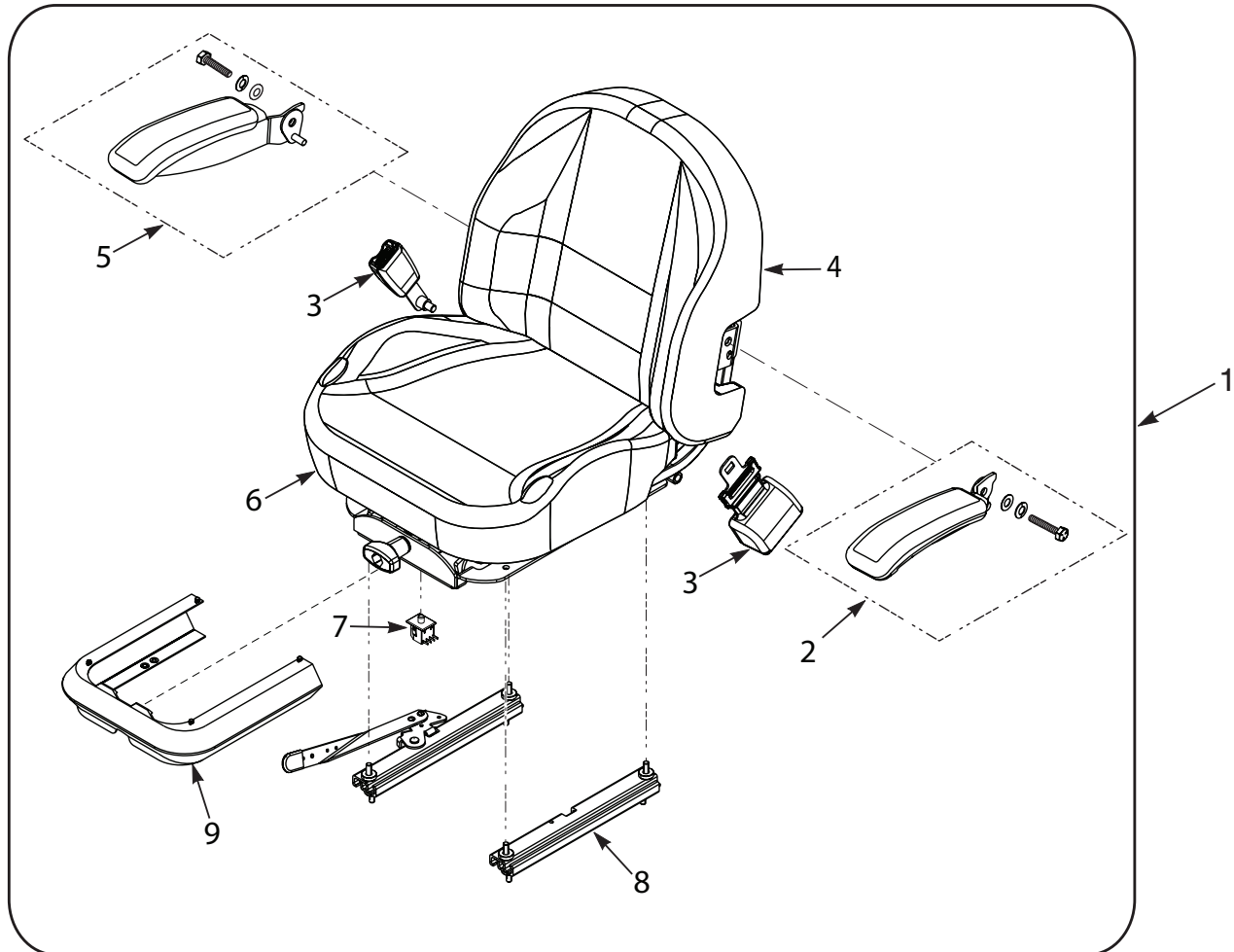


SHEET METAL COMPONENTS - SPZ

Ref. No.	Part No.	Description
1	486545	Seat Assembly
2	04017-27	Bolt, Hex Head 3/8-16 x 1"
3	483559	Cable, Seat Stop
4	04021-09	Nut, Elastic Stop 3/8-16
5	483371	Spring, Seat Latch
6	451883	Weldment, Seat Latch
7	04001-100	Bolt, Hex Head 3/8-16 x 6"
8	462998	Seat Plate Weldment
9	04019-02	Nut, Serrated Flange 1/4-20
10	428503	Fan Cover, RH
11	428502	Fan Cover, LH
12	04019-03	Nut, Serrated Flange 5/16-18
13	04041-07	Flatwasher, 3/8-.391 x .938 x .105
14	483372	Spring, Seat
15	04003-07	Bolt, Carriage 1/4-20 x 1/2"
	04001-59	Bolt, Hex Head 1/4-20 x 1-1/4" (Fan Cover Spring Anchor)
16	04003-12	Bolt, Carriage 5/16-18 x 3/4"
	04001-09	Bolt, Hex Head 5/16-18 x 1" (Front Hole)
17	427546	Bumper, (Black)
18	427862	Guard, Engine, (Scag Gold)
19	04001-19	Bolt, Hex Head 3/8-16 x 1"
20	425696	Anti-Rotation Bracket
21	04021-09	Nut, Elastic Stop 3/8-16
22	424639	Bracket, Dump Valve
23	04019-04	Nut, Serrated Flange 3/8-16
24	04017-06	Bolt, Hex Head 1/4-20 x 1"
25	04040-14	Flatwasher, 1/4-.312 x .750 x .065
26	463168	Control Plate w/Decal, LH (Black)
27	04110-01	U-Nut, 1/4-20
28	424511	Bracket, Switch Mount
29	425890	Bracket, Tank Mount, SPZ52H
	425700	Bracket, Tank Mount, SPZ61H
30	463317	Mainframe Assy., w/Decals (Black) - SPZ52H
	463318	Mainframe Assy., w/Decals (Black)- SPZ61H
31	424480	Support, Deck Guide
32	43703	Spacer, Bearing
33	483379	Bearing
34	04001-31	Bolt, Hex Head 3/8-16 x 2-1/2"
35	486294	Wheel Assembly, (Black)

Ref. No.	Part No.	Description
36	482622	Seal
37	482621	Bearing
38	48114-10	Fitting, Grease
39	482619	Tire, 13 x 6.5-6
	486295	Rim, (Black)
40	04001-167	Bolt, Hex Head 1/2-13 x 9-1/2"
41	43584	Spacer, Caster Wheel
42	43583	Sleeve, Caster Wheel
43	04021-07	Nut, Elastic Stop 1/2-13
44	453007	Yoke Weldment, (Black))
45	481025	Seal, 2" OD x 1.625 ID
46	48668	Bearing Set
47	04021-20	Nut, Elastic Stop 1"-14
48	484195	Grease Cap
49	483493	Rubber Isolator
50	453003	Footplate Weldment, (Black) - SPZ52H
	453004	Footplate Weldment, (Black) - SPZ61H
51	463169	Control Plate w/Decal, RH (Black)
52	04003-11	Bolt, Carriage 3/8-16 x 1-1/4"
53	463108	Deck Lift Cover w/Decal, - SPZ52H
	463109	Deck Lift Cover w/Decal, - SPZ61H
54	04017-27	Bolt, Hex Head Flange 3/8-16 x 1"
55	425889	Switch Bracket
56	427864	Heat Shield, (Scag Gold)
	427123	Heat Shield, (Black)
57	04001-09	Bolt, Hex Head, 5/16-18 x 1"
58	04117-01	Nut, Elastic Stop Flange, 5/16-18
59	48030-18	Clamp, Cable
60	04040-15	Flatwasher, 5/16-.375 x .875 x .083

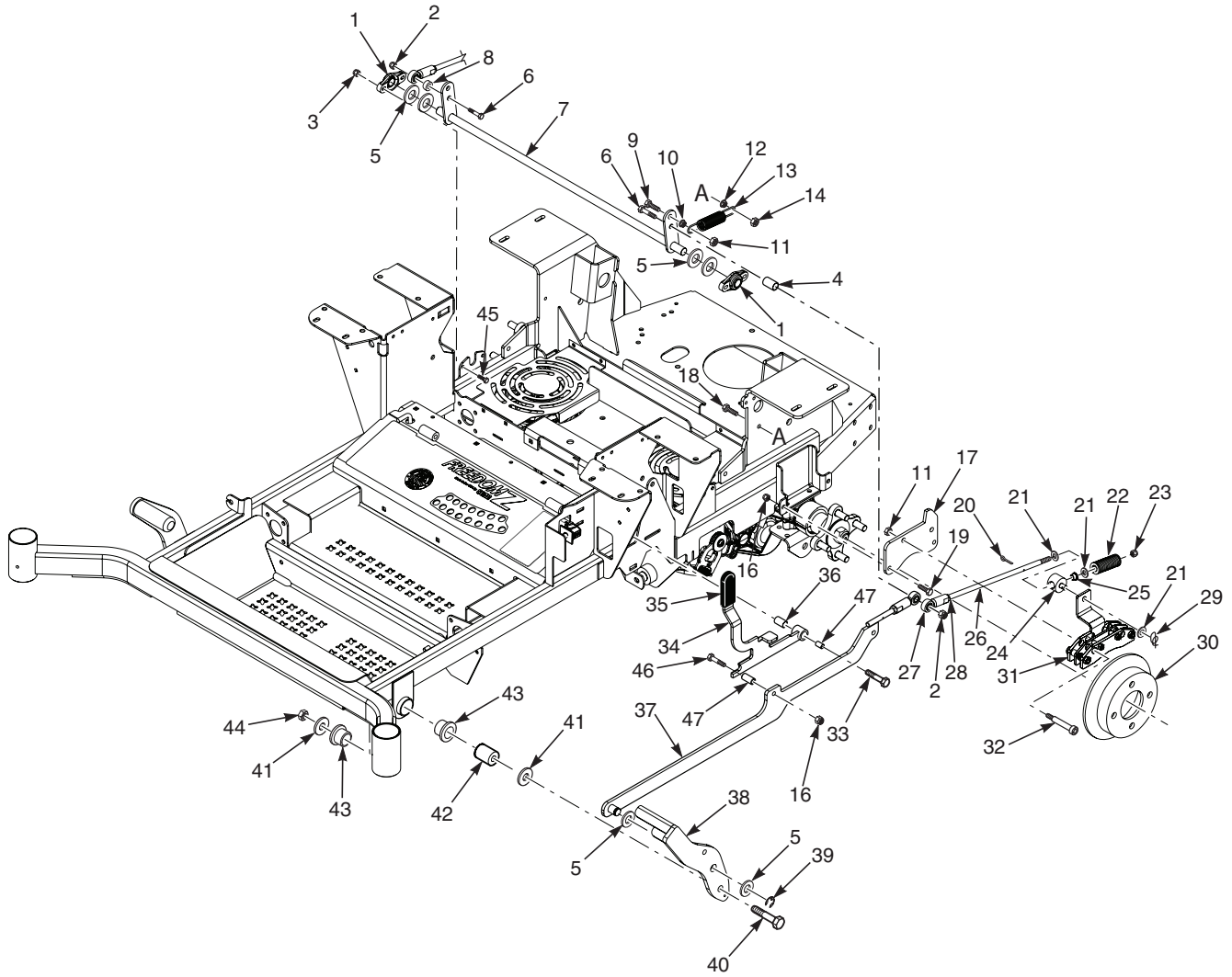
SPZ SUSPENSION SEAT



Ref. No.	Part No.	Description
1	486545	Seat Assembly
2	486003	Armrest Kit, LH
3	486546	Seatbelt Kit
4	486595	Back Cover
5	486004	Armrest Kit, RH
6	486594	Cushion Cover
7	483473	Switch
8	486547	Track Set
9	486548	Bellows, Seat

NOTES

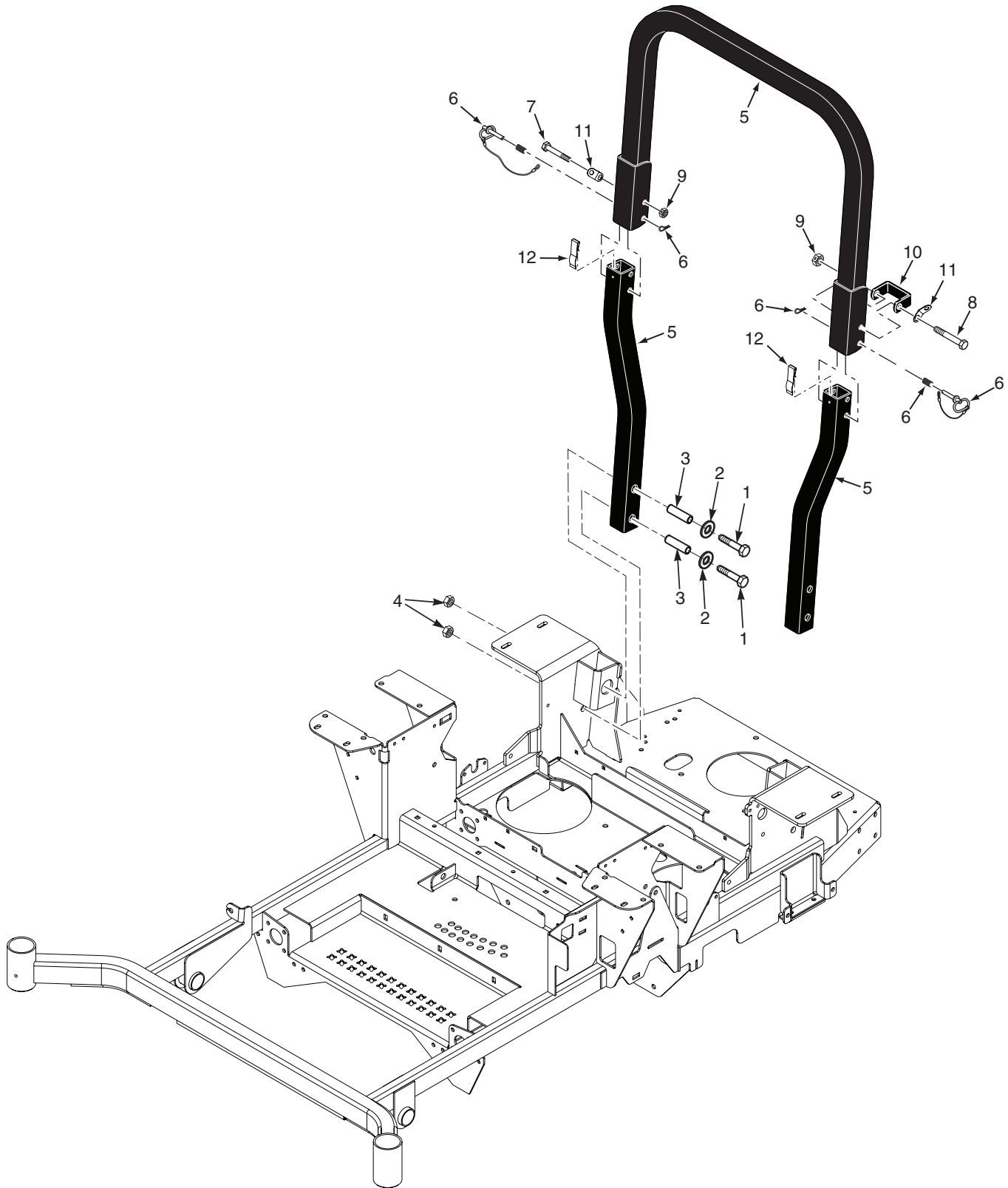
BRAKE COMPONENTS - SPZ



BRAKE COMPONENTS - SPZ

Ref. No.	Part No.	Description
1	483504	Bearing
2	04021-09	Nut, Elastic Stop 3/8-16
3	04117-03	Nut, Elastic Stop 1/4-20
4	43720	Spacer
5	04040-09	Flatwasher, 5/8-.656 x 1.312 x .095
6	04001-46	Bolt, Hex Head 3/8-16 x 2-1/4"
7	452269	Weldment, Brake Lever
8	43674	Spacer
9	04001-20	Bolt, Hex Head 3/8-16 x 1-1/2"
10	04019-04	Nut, Serrated Flange 3/8-16
11	04021-05	Nut, Center Lock 3/8-16
12	04019-03	Nut, Serrated Flange 5/16-18
13	484038	Spring
14	04021-04	Nut, Center Lock 5/16-18
15	04041-07	Flatwasher, 3/8-.391 x .938 x .105
16	04021-10	Nut, Elastic Stop 5/16-18
17	425680	Mounting Bracket, Brake
18	04001-09	Bolt, Hex Head 5/16-18 x 1"
19	04001-09	Bolt, Hex Head 5/16-18 x 1"
20	04061-02	Cotter Pin, 3/32 x 3/4"
21	04040-05	Flatwasher, 3/8-.406 x .812 x .065
22	484535	Spring, Brake
23	04021-18	Nut, Elastic Stop 3/8-24
24	462452	Swivel Assembly, Brake
25	483453-23	Bearing
26	04004-54	Link, Brake
27	482330	Rod End
28	04020-25	Nut, 3/8-24 UNF Jam
29	04069-01	Pin, Rue Cotter - 3/8" Dia.
30	43853	Brake Hub
31	483701	Brake Caliper
32	04009-17	Bolt, Shoulder 1/2 x 2-1/2"
33	04009-16	Bolt, Shoulder 1/2 x 2"
34	462485	Latch Assembly, Brake (incl. # 35, #36)
35	482102	Grip, Brake Lever
36	483453-22	Bearing
37	462419	Linkage Weldment Assembly, Brake
38	452922	Brake Pedal Weldment
39	04050-01	Retaining Ring, .625 Ext. "E"
40	04001-74	Bolt, Hex Head 1/2-13 x 3"
41	04040-13	Flatwasher, 1/2-.562 x 1.375 x .109
42	43710	Sleeve
43	483453-03	Bearing
44	04021-19	Nut, Center Lock 1/2-13
45	04017-06	Bolt, Hex Head 1/4-20 x 1"
46	04001-12	Bolt, Hex Head 5/16-18 x 1-3/4"
47	43866	Sleeve, Handle Pivot

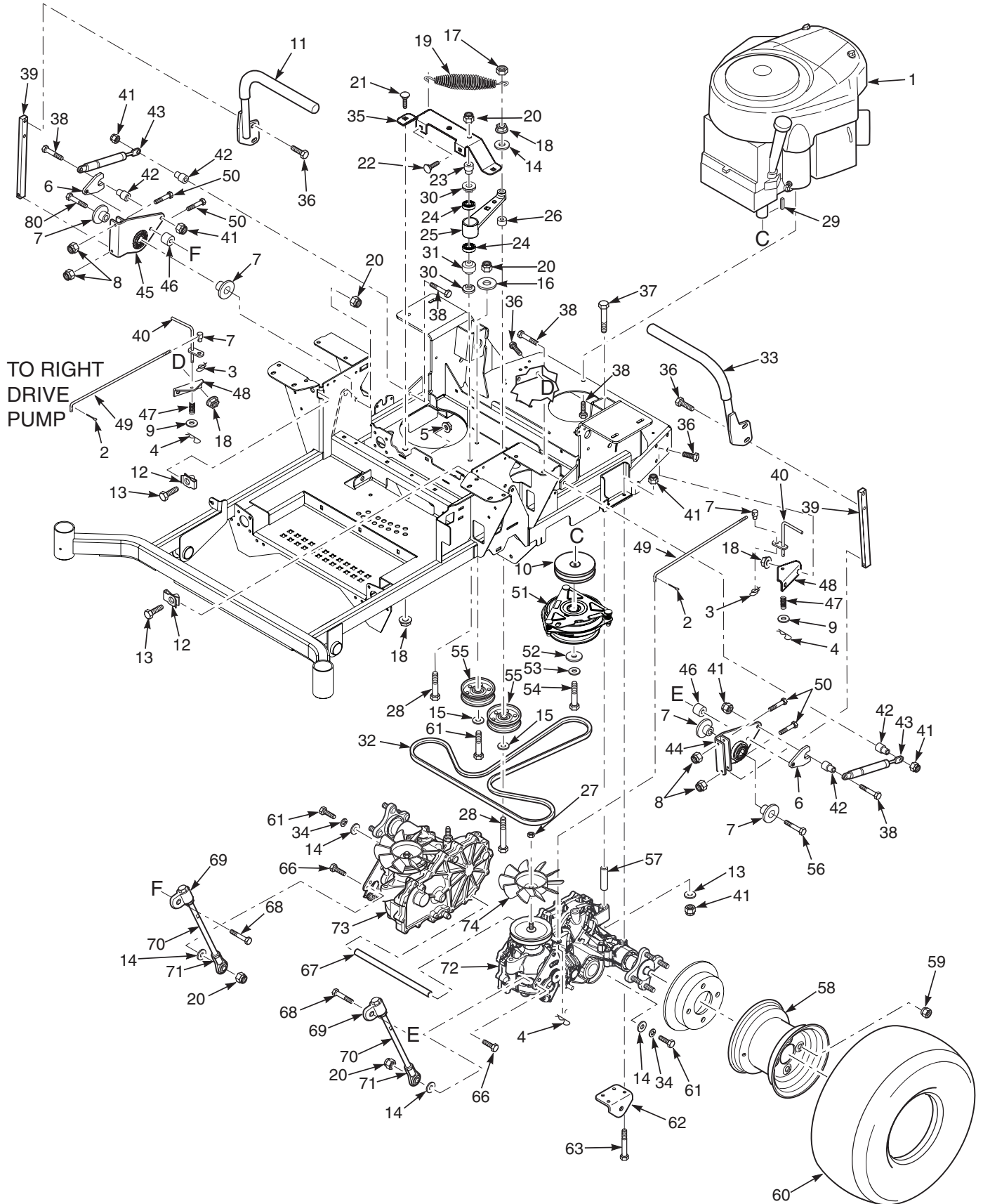
SPZ ROLL-OVER PROTECTION SYSTEM



SPZ ROLL-OVER PROTECTION SYSTEM

Ref. No.	Part No.	Description
1	04001-197	Bolt, Hex Head 1/2 13 x 3" Gr. 8
2	04040-07	Flatwasher, 1/2 - .531 x 1.062 x .095
3	43743	Bushing, ROPS
4	04117-04	Nut, Flanged Elastic Stop, 1/2-13
5	463110	ROPS, (Scag Gold)
6	484168	Pin Assembly, ROPS Hinge
7	04001-90	Bolt, Hex Head 1/2-13 x 3-1/4"
8	04001-145	Bolt, Hex Head 1/2-13 x 3-1/2"
9	04021-19	Nut, 1/2-13 Center Lock
10	485722	Stop, ROPS
11	484169	Clip, ROPS
12	484167	Spring, ROPS

DRIVE SYSTEM COMPONENTS - SPZ52 & SPZ61



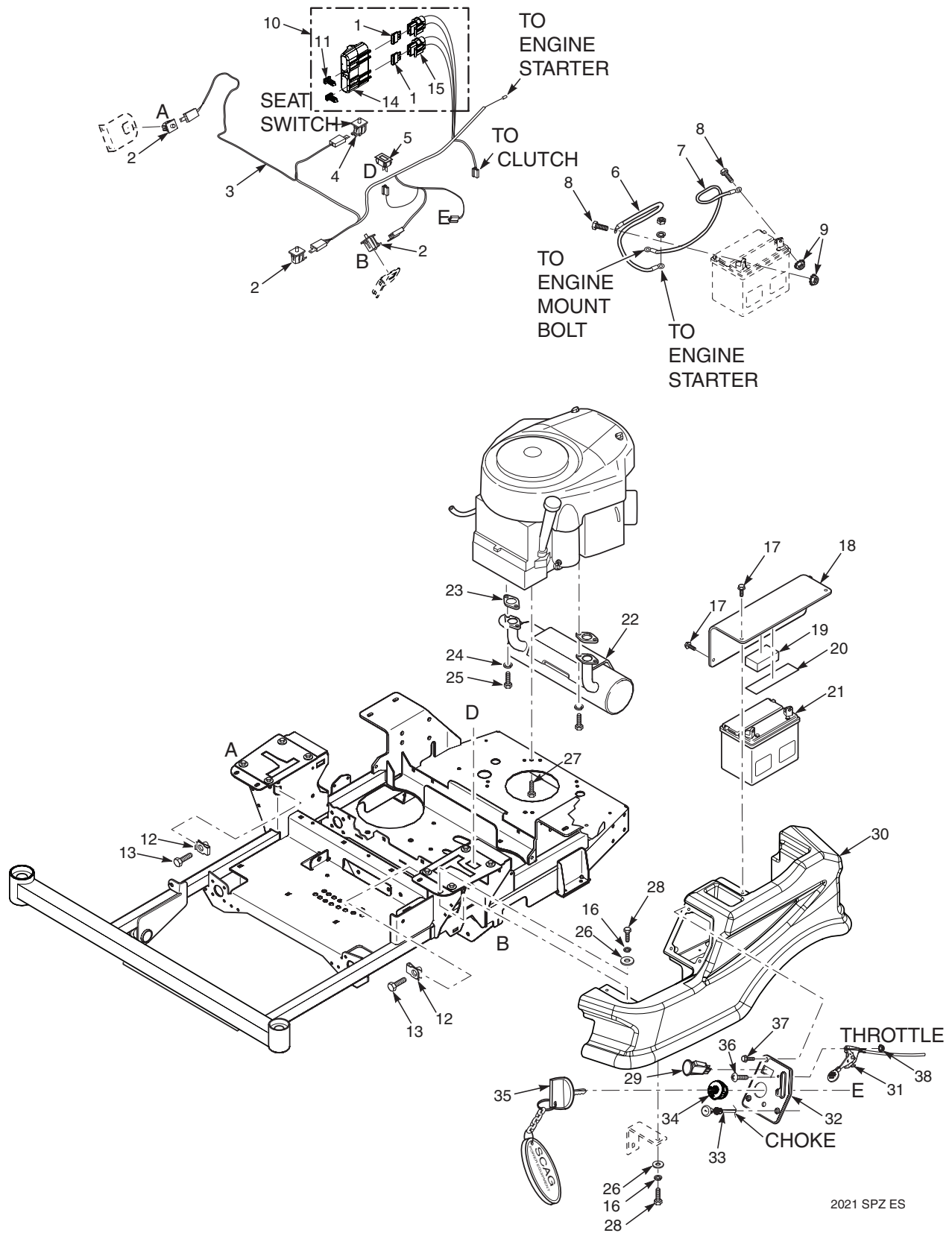
DRIVE SYSTEM COMPONENTS - SPZ52 & SPZ61

Ref. No.	Part No.	Description
1	485706*	Engine, Kawasaki - 22FX
	485707*	Engine, Kawasaki - 23FX
	486137*	Engine, Kohler - 23CV
	486138*	Engine, Kohler - 25CV
	485977*	Engine, Briggs & Stratton Vanguard - 26BV
2	04061-01	Cotter Pin, 3/32 x 1"
3	04069-01	Pin, Rue Cotter 3/8" Dia.
4	04062-02	Hair Pin, .080 x 1.19"
5	04019-03	Nut, Serrated Flange 5/16-18
6	424687	Nut, Control Link
7	43719	Spacer, Linkage
8	04021-08	Nut, Elastic Stop 1/4-20
9	04040-14	Flatwasher, 1/4-.312 x .750 x .065
10	484646	Pulley, 4-1/2" OD - 1.125 Bore (SPZ52H)
	484373	Pulley, 5" OD - 1.125 Bore (SPZ61H)
11	462434	Handle Bar w/Grip
	484376	Grip
12	04110-03	U-Nut, 3/8-16
13	04107-01	Bolt, Hex Head 3/8-16 x 1-1/4" Special Lock
14	04041-07	Flatwasher, 3/8-.391 x .938 x .105
15	04043-04	Flatwasher, 3/8-.391 x .938 x .105 HD
16	04041-11	Flatwasher, 3/8-.406 x 1.5 x 7 GA.
17	04021-05	Nut, Center Lock 3/8-16
18	04019-04	Nut, Serrated Flange 3/8-16
19	483087	Spring, Transmission Idler
20	04021-09	Nut, Elastic Stop 3/8-16
21	04003-31	Bolt, Carriage 3/8-16 x 3/4"
22	04003-12	Bolt, Carriage 5/16-18 x 3/4"
23	43715	Shaft Pivot, Idler Arm
24	48224	Bearing
25	463017	Trans. Idler Arm Assy. (Includes 24, 79)
26	43674	Spacer, Idler Pulley - SPZ52H
	43720	Spacer, Idler Pulley - SPZ61H
27	*	Fan Nut (order through Hydro-Gear)
28	04001-62	Bolt, Hex Head 3/8-16 x 3-1/4"
29	04063-24	Key, 1/4 x 1/4 x 2-3/4" - Kawasaki / B&S
	04063-03	Key, 1/4 x 1/4 x 2-1/2" - Kohler
30	431049	Pivot Idler
31	431073	Spacer, Bearing
32	483314	Belt, Transmission Drive - SPZ52H
	484372	Belt, Transmission Drive - SPZ61H
33	462433	Handle Bar Assembly, w/Grip
	484376	Grip
34	04030-04	Lockwasher, 3/8" Spring
35	424476	Support, Idler Arm
36	04017-27	Bolt, Hex Head 3/8-16 x 1"
37	04001-95	Bolt, Hex Head 5/16-18 x 5"
38	04001-11	Bolt, Hex Head 5/16-18 x 1-1/2"
	04017-15	Bolt, Hex Head 5/16-18 x 1/2" (ground)
39	424498	Bar, Control Lever
40	451912	Dump Valve Lever
41	04021-10	Nut, Elastic Stop 5/16-18
42	43602	Spacer, Pump Dampener
43	484151	Dampener
44	462127	Control Link, LH
45	462128	Control Link, RH
46	43674	Spacer
47	482070	Spring
48	424639	Bracket, Dump Mounting

Ref. No.	Part No.	Description
49	44162	Linkage, Dump Valve
50	04001-04	Bolt, Hex Head 1/4-20 x 1-1/2"
51	462228	Electric Clutch Assembly
52	04041-28	Flatwasher, 7/16-.469 x 1.75 x .25
53	04030-05	Lockwasher, 7/16" spring
54	04102-08	Bolt, Hex Head 7/16-20 x 1-1/2" Patch
		Kawasaki 22FX & 23FX
	04102-01	Bolt, Hex Head 7/16-20 x 1-3/4" - Kohler / B&S
55	486045	Pulley, 3-1/2" Dia.
56	04001-45	Bolt, Hex Head, 3/8-16 x 2"
57	43700	Spacer, Axle - SPZ52H
	43857	Spacer, Axle - SPZ61H
58	485945	Rim w/Valve Stem, (Scag Gold) - SPZ52H
	486289	Rim w/Valve Stem, (Black) - SPZ52H
	482414	Rim w/Valve Stem, (Scag Gold) - SPZ61H
	486292	Rim w/Valve Stem, (Black) - SPZ61H
59	04028-02	Wheel Nut, 1/2-20
60	485944	Tire/Rim Assy, (Scag Gold) 22 x 10.5-12 (SPZ52)
	486288	Tire/Rim Assy, (Black) 22 x 10.5-12 (SPZ52)
	485946	Tire, 22 x 10.5-12 (SPZ52)
	485952	Tire/Rim Assy, (Scag Gold) 24 x 12-12 (SPZ61)
	486291	Tire/Rim Assy, (Black) 24 x 12-12 (SPZ61)
	485953	Tire, 24 x 12-12 (SPZ61)
61	04001-31	Bolt, Hex Head 3/8-16 x 2-1/2"
62	424489	Bracket, Pusharm Link
63	04001-49	Bolt, Hex Head 5/16-18 x 3"
64	*	Clip, Brake Lever (order through Hydro-Gear)
65	*	Lever, Brake (order through Hydro-Gear)
66	04001-20	Bolt, Hex Head 3/8-16 x 1-1/2"
67	43701	Spacer, Axle
68	04001-45	Bolt, Hex Head 3/8-16 x 2"
69	483563	Rod End, Adjustable 3/8-24
	04020-25	Nut, Jam 3/8-24 UNF RH
70	483668	Linkage, Pump - SPZ52H
	484405	Linkage, Pump - SPZ61H
71	483575	Stake, Rod End Assembly
72	486722	Transaxle Assy., LH (ZL-GCEC-SLKF-1NTX)
		SPZ52H
	486724	Transaxle Assy., LH (ZY-GCEE-SL7F-11TX)
		SPZ61H
73	486723	Transaxle Assy., RH (ZL-KCEC-SLKG-1NTX)
		SPZ52H
	486725	Transaxle Assy., RH (ZY-KCEE-SL7G-11TX)
		SPZ61H
74	*	Fan (order through Hydro-Gear)

* Not available through Scag.

EXHAUST AND ELECTRICAL SYSTEM - SPZ



2021 SPZ ES

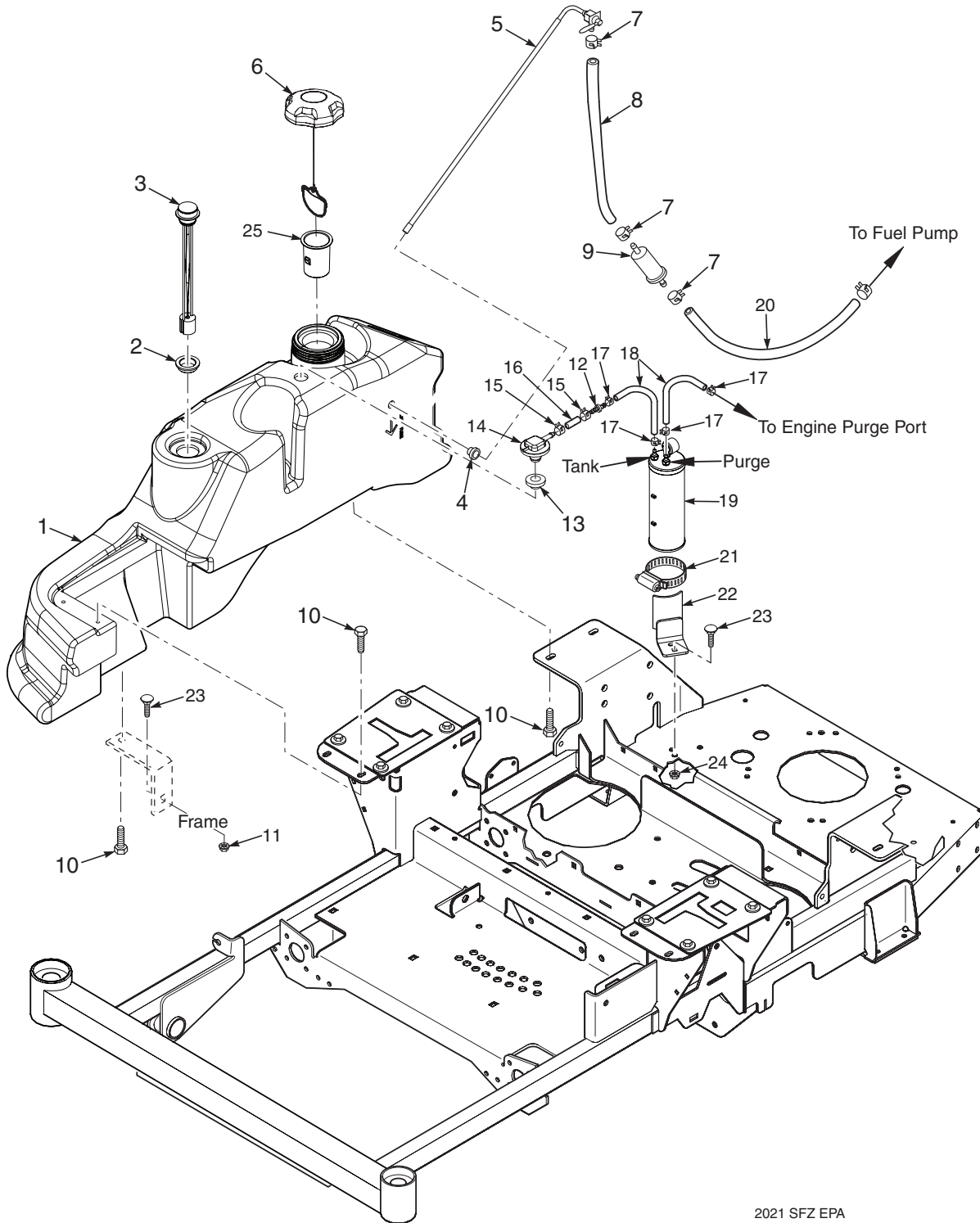
EXHAUST AND ELECTRICAL SYSTEM - SPZ

Ref. No.	Part No.	Description
1	48298	Fuse, 20 amp
2	483473	Switch
3	486123	Wire Harness, Main
	483529	Wire Harness Adapter, Kawasaki (not shown)
	486134	Wire Harness Adapter, Kohler (not shown)
4	483474	Switch, Seat
5	484565	Hourmeter
6	48029-13	Battery Cable, Red 25"
7	48029-11	Battery Cable, Black 27"
8	04001-44	Bolt, Hex Head 1/4-20 x 1/2"
9	04020-02	Nut, 1/4-20
10	483642	Double Fuse Assy. (incl. items 1, 14, 15, 46)
11	482588	Clip, Wire
12	04110-03	U-Nut, 3/8-16
13	04107-03	Bolt, Hex Head 3/8-16 x 1-1/4" Special Lock
14	483571	Cover, Sealed Double
15	483629	Fuse Holder
16	04030-03	Lockwasher, 5/16" Spring
17	04017-04	Bolt, Hex Head 1/4-20 x 1/2" Serr. Flange
18	463319	Battery Cover (incl. items 19 & 20)
19	485506	Pad, Battery Hold Down
20	483508	Rubber Pad
21	483665	Battery (not avail. through Scag)
22	484209	Muffler Kawasaki
	486141	Muffler, Kohler
	483381	Muffler, Briggs & Stratton Vanguard
23	**	Exhaust Gasket
24	**	Lockwasher
25	**	Bolt
26	04040-15	Flatwasher, 5/16-.375 x .875 x .083
27	04011-07	Bolt, Hex Head 3/8-16 x 1-1/4"- Kohler / B&S
	04001-32	Bolt, Hex Head 3/8-16 x 1-1/4" - Kawasaki
	04030-04	Lockwasher, 3/8" Spring - Kawasaki

Ref. No.	Part No.	Description
28	04001-08	Bolt, Hex Head 5/16-18 x 3/4"
29	485833	PTO Switch
30	463304	Console, LH - SPZ
31	483434	Throttle Cable
32	462322	Instrument Panel w/Decal
33	483435	Choke Cable - Kawasaki
	483646	Choke Cable - Kohler
	484474	Choke Cable - Briggs & Stratton
34	483472	Ignition Switch
35	483609	Key w/Shroud
	462069	Key Assembly w/Fob
36	04003-43	Bolt, Carriage, 10-24 x .5
37	04013-01	Screw, Flanged, 5/16-18 x 1/2"
38	04021-26	Nut, Lock, 10-24

** Available through engine manufacturer only.

SPZ FUEL SYSTEM



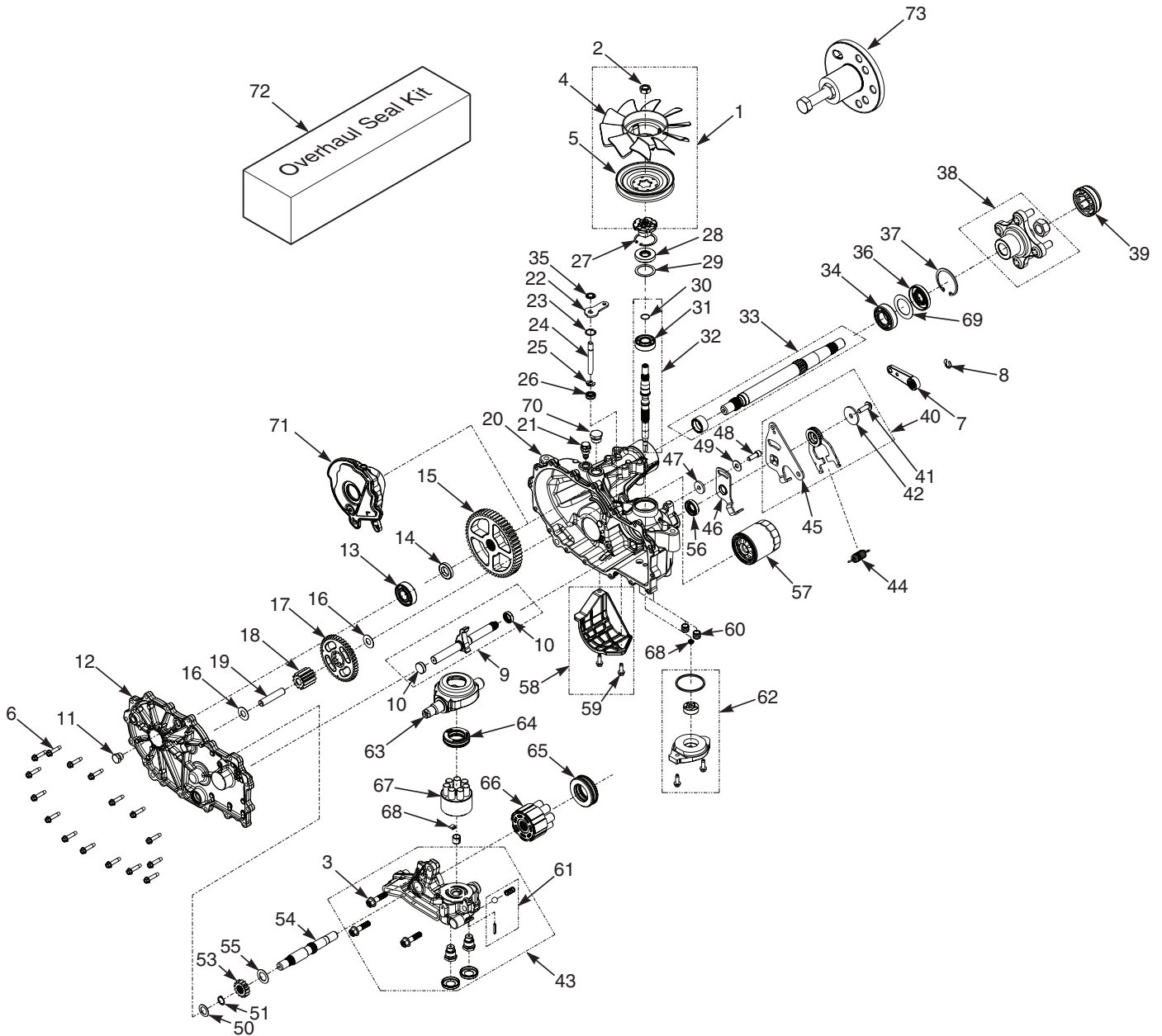
2021 SFZ EPA

SPZ FUEL SYSTEM

Ref. No.	Part No.	Description
1	463305	Fuel Tank Assembly - SPZ (Includes 2,3,4,5,13,14)
2	484242	Grommet, Fuel Gauge
3	484243	Fuel Gauge Assembly
4	482571	Bushing, .56 Dia. Viton
5	483555	Fuel Tube Assembly
6	484286	Fuel Cap, Tethered
	485921	Gasket, Fuel Cap
	484297	Fuel Cap w/Tethered - California Models Only (not shown)
7	48059-01	Clamp, Fuel Hose 1/4"
8	483617	Fuel Hose, 1/4" Non-Perm (order by inch)
9	*	Fuel Filter
10	04017-16	Bolt, Hex Head 5/16-18 x 3/4"
11	04117-01	Nut, Elastic Stop Flange, 5/16-18
12	484343-01	Mender, 1/4 x 3/16 w/0.02 Hole
13	484285	Grommet, Viton
14	484333	Remote Vent
15	48059-02	Clamp, Fuel Hose 7/32"
16	484347	Hose, 1/4" Vapor Recovery (order by inch)
17	48059-05	Clamp, Vapor Recovery Hose
18	484345	Hose, 3/16" (order by inch)
19	484342	Carbon Canister
20	*	Fuel Hose
21	48136-17	Clamp, Hose
22	452226	Bracket Weldment - SPZ52H
	452233	Bracket Weldment - SPZ61H
23	04003-12	Bolt, Carriage 5/16-18 x 3/4"
24	04019-03	Nut, Serrated Flange 5/16-18
25	484279-01	Tube, Fuel Tank Insert

* = Available through engine manufacturer only.

ZT-3100 HYDRAULIC AXLE ASSEMBLY - SPZ52

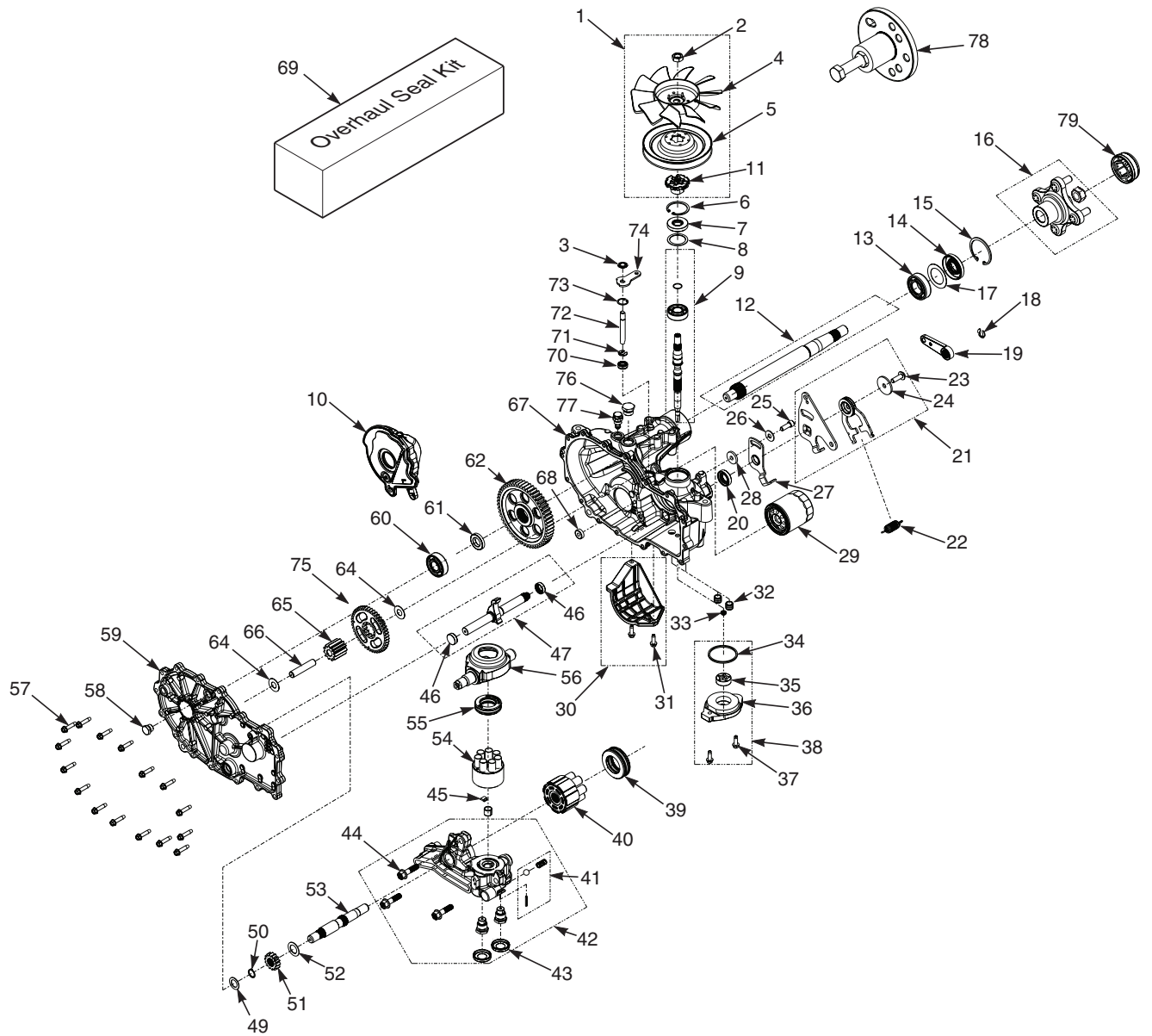


ZT-3100 HYDRAULIC AXLE ASSEMBLY - SPZ52

Ref. No.	Part No.	Description
1	HG72125	Kit, Fan & Pulley
2	HG51244	Nut, Hex Locking 1/2-20
3	HG52137	Bolt, Hex Head 3/8-16 x 1-1/2" Patch
4	HG53823	Fan, 7" Dai. (10 Blade)
5	HG52364	Pulley, Cupped 4-1/2" Dia.
	HG52366	Hub, Pulley
6	HG53246	Bolt, Hex Head 1/4-20 x 1-11/4"
7	HG53973	Handle, Actuating
8	HG53019	Ring, Retaining
9	HG73119	Kit, Outboard LH
	HG73118	Kit Outboard, RH
10	HG51804	O-Ring
11	HG54730	Plug, 9/16-18
12	HG73095	Kit, Side Cover RH
	HG73096	Kit, Side Cover LH
13	HG72749	Bearing, Ball .75 x 40 x 12
14	HG53336	Spacer, .75 x 1.0 x .257
15	HG52108	Gear, 54T
16	HG50132	Washer, .5 x 1.0 x .03
17	HG52110	Gear, 45T
18	HG52586	Gear, 11T
19	HG51083	Jackshaft Pin
20	HG73069	Kit, Housing RH
	HG73073	Kit, Housing LH
21	482800-0371	Fitting
22	HG51629	Arm, By-Pass
23	HG51627	Ring, Retaining .750 Internal
24	HG52136	Rod, By-Pass
25	HG51628	Ring, .Retaining .375 External
26	HG55232	Seal, Lip .375 x .75 x .25
27	HG50329	Ring, Retaining 2.06 Internal
28	HG51161	Seal, Lip 17 x 40 x 7
29	HG50951	Washer, 1.23 x 1.56 x .04
30	HG2000022	Ring, Retaining Wire
31	HG50315	Bearing, Ball 17 x 40 x 12 Open
32	HG73047	Shaft, Input
33	HG71569	Shaft Kit, Axle
34	HG53656	Bearing, Ball 1.0 x 52 x 15 Open
35	HG51630	Ring, Retaining .375 External
36	HG53699	Seal, Lip 25 x 52 x 10 TC Gray

Ref. No.	Part No.	Description
37	HG50859	Ring, Retaining 2.06 Internal
38	HG71405	Hub Kit
39	HG53088	Axle Cap
40	HG71595	Kit, RTN Assembly (Does not include #44, 46, 47, 48, 49)
41	HG51812	Bolt, 5/16-24 x 1" Patch
42	HG51950	Washer, .343 x 1.5 x .062
43	HG73265	Kit, Center Section RH
	HG73266	Kit, Center Section LH
44	HG51605	Spring
45	HG52682	Arm, Control
46	HG51945	Arm, Neutral RH
	HG51946	Arm, Neutral LH
47	HG54315	Spacer, .320 x 1.005 x .179
48	HG51616	Bolt, 5/16-24 x 1" Patch
49	HG44130	Washer, .34 x .88 x .06
50	HG44371	Washer, .63 x 1.0 x .05
51	HG44145	Ring, Retaining
52	HG52641	Pawl, Brake
53	HG52341	Gear, 14T
54	HG52150	Shaft, Motor
55	HG51069	Washer, .72 x 1.16 x .04
56	HG51140	Seal, Lip 18 x 32 x 7
57	HG52114	Filter
58	HG71854	Filter Guard
59	HG50752	Bolt, 1/4-20 x 3/4"
60	HG54501	Tube, Charge Triple O ring
61	HG71436	Kit, Charge Relief
62	HG72274	Kit, Charge Pump
63	HG51048	Trunnion Swashplate
64	HG50551	Thrust Bearing
65	HG51462	Thrust Bearing
66	HG72882	Kit, Motor Cylinder Block
67	HG70723	Kit, Cylinder Block
68	HG72291	Kit, Gerotor Seal
69	HG71436	Washer, 1.355 x 2.035 x .021 Flat
70	HG54974	Plug, 3/4 - 16
71	HG55072	Expansion Tank LH, Internal
	HG55071	Expansion Tank RH, Internal
72	HG73107	Seal Kit (Includes 25,26,23.35,56,28,
73	HG72320	Kit, Hub Puller

ZT-3400 HYDRAULIC AXLE ASSEMBLY - SPZ61

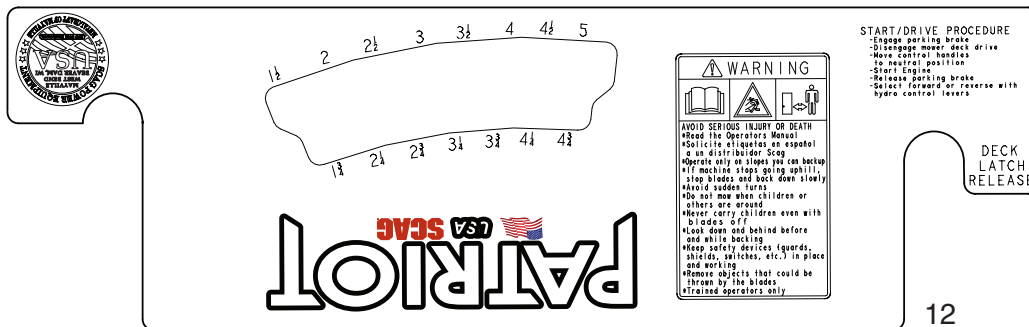
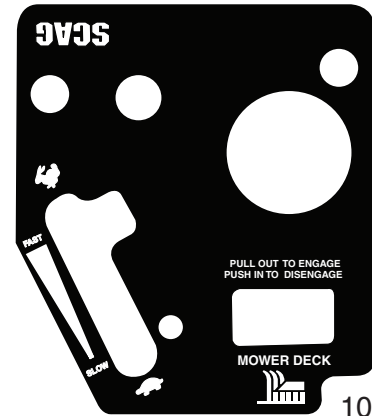
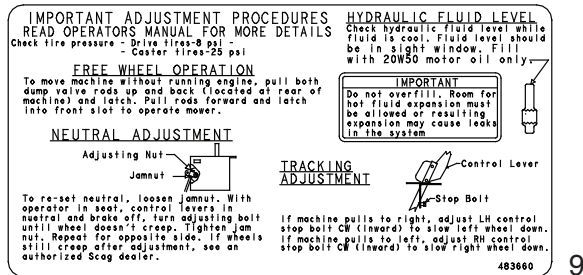
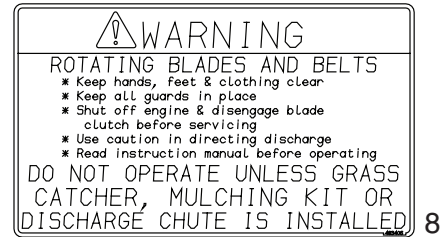
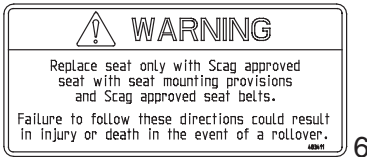
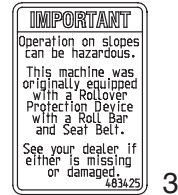


ZT-3400 HYDRAULIC AXLE ASSEMBLY - SPZ61

Ref. No.	Part No.	Description
1	HG72658	Kit, Fan & Pulley
2	HG44133	Nut, Elastic Stop 1/2-20
3	HG51630	Ring, Retaining .375 External
4	HG52747	Fan, 7" (10 Blade)
5	HG53435	Pulley"
6	HG50329	Ring, Retaining
7	HG51161	Seal, Lip 17 x 40 x 7
8	HG50951	Washer, 1.23 x 1.56 x .04
9	HG71978	Kit, Input Shaft
10	HG55071	Expansion Tank RH, Internal
	HG55072	Expansion Tank LH, Internal
11	HG2003014	Spring, Block
12	HG53528	Shaft, Axle
13	HG53656	Bearing, Ball 25.4 x 52 x 15
14	HG53699	Seal, Lip 1 x 2.049 x .375
15	HG50859	Ring, Retaining 2.06 Internal
16	HG71405	Hub, 4-Bolt
17	HG3514	Washer, 1.355 x 2.035 x .021 Flat
18	HG53019	Clip, Retaining
19	HG53973	Handle, Brake Actuating
20	HG51140	Seal, Lip 12 x 32 x 7
21	HG71595	Kit, RTN Bi-Directional (Left Side)
	HG71598	Kit, RTN Bi-Directional (Right Side)
22	HG52401	Spring, RTN
23	HG51812	Bolt, Hex Head Cap Screw 5/16-24 x 1" Patch
24	HG51950	Washer, .343 x 1.5 x .062
25	HG51616	Bolt, Hex Head Cap Screw 5/16-24 x 1" Patch
26	HG44130	Washer, .34 x .88 x .06
27	HG51945	Arm, Neutral (Right Side)
	HG51946	Arm, Neutral (Left Side)
28	HG54315	Spacer, .320 x 1.005 x .179
29	HG52114	Filter, Oil
30	HG73041	Guard, Filter (Right Side)
	HG71854	Guard, Filter (Left Side)
31	HG53464	Screw, Hex Flange 1/4-20 x .625
32	HG52157	Tube, Connecting
33	HG72291	Seal, Lip 8 x 12 x 3-VC
34	HG54501	O-Ring, -137 x .103 x 2.050
35	HG50273	Gerotor Assembly (1.9 cc)
36	HG53468	Cover, Charge Pump
37	HG53464	Screw, Hex Flange 1/4-20 x .625
38	HG71977	Kit, Charge Pump
39	HG51462	Bearing, Thrust
40	HG72882	Assembly, Cylinder Block

Ref. No.	Part No.	Description
41	HG71436	Kit, Charge Relief
42	HG71972	Kit, Center Section (Right Side)
	HG71973	Kit, Center Section (Left Side)
43	HG52162	Seal, Plug 1.250 x .250
44	HG52137	HFHCS, 3/8-16 X 1-1/2" Patch
45	HG51448	Plate, By-Pass
46	HG51804	O-Ring, -111 x .103 x 424
47	HG73119	Kit Outboard RH Rot B / LH Rot A
	HG73118	Kit Outboard RH Rot A/ LH Rot B
48	HG52776	Pawl, Brake
49	HG44371	Washer, .63 x 1 x .05
50	HG44145	Ring, Retaining .625
51	HG52341	Gear, 13T Steel
52	HG51069	Washer, .72 x 1.16 x .04
53	HG52150	Shaft, Motor
54	HG71971	Assembly, Block 7 Piston
55	HG53502	Bearing, Thrust
56	HG51048	Trunnion, Swashplate
57	HG53246	HFHCS, 1/4-20 x 1-1/8"
58	HG54730	Plug, 9/16-18
59	HG73255	Kit, Cover (Right Side)
	HG73257	Kit, Cover (Left Side)
60	HG72749	Bearing, Ball .75 x 40 x 12
61	HG53336	Spacer, .750 x 1.320 x .257
62	HG54491	Gear, 54T
63	HG52110	Gear, 45T
64	HG50132	Washer, .5 X 1 X .03
65	HG52586	Gear, 11T Steel
66	HG51083	Jackshaft Pin
67	HG73244	Kit, Housing Main (Right Side)
	HG73245	Kit, Housing Main (Left Side)
68	HG51100	Magnet, Ring
69	HG73239	Seal Kit
70	HG55232	Seal, Lip .375 x .75 x .25
71	HG51628	Ring, Retaining .375 External
72	HG52136	Rod, By-Pass
73	HG51627	Ring, Retaining .750 Internal
74	HG51629	Arm, By-Pass
75	HG52110	Gear, 45T
76	HG54974	Plug, 3/4 - 16
77	HG55380	Fitting, 9/16 - 18, Breather
78	HG72320	Kit, Hub Puller
79	HG53088	Axle Cap

REPLACEMENT DECALS AND INFORMATION PLATES

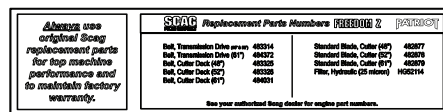


REPLACEMENT DECALS AND INFORMATION PLATES

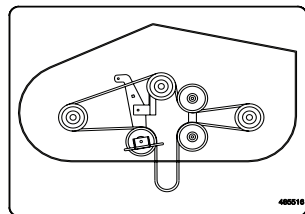
Ref. No.	Part No.	Description
1	483402	Decal, Belt Cover
2	483405	Decal, Warning
3	486304	Decal, ROPS
4	483505	Decal, Spinning Blades
5	481568	Decal, Traction Control
6	483633	Decal, Seat Replacement
7	486795	Decal, 52H Commercial
	486796	Decal, 61H Commercial
8	483406	Decal, Knives
9	483660	Decal, Adjustment SPZ
10	486404	Decal, Instrument Panel
11	486831	Decal, Scag RH Fuel Tank
	486830	Decal, Scag LH Fuel Tank
12	486303	Decal, Cutting Height, (Scag Gold Logo)
13	484461	Decal, Brake
14	485708	Decal, SPZ Replacement Parts
15	485516	Decal, SPZ Belt Routing
*	483900	Decal, Warning Spark Arrestor (California only) - not shown
*	462155	Spanish Decal Kit - SPZ (not shown)
*	01411	DVD Video, Tips for Safe Operation of Your Scag Zero-Turn Mower (not shown)
16	486197	Decal, Scag - Fuel Tank
17	486300	Decal, Patriot, (Scag Gold Logo) - Fuel Tank
18	486301	Decal, Scag Patriot, (Scag Gold Logo) - Fuel Tank



13



14

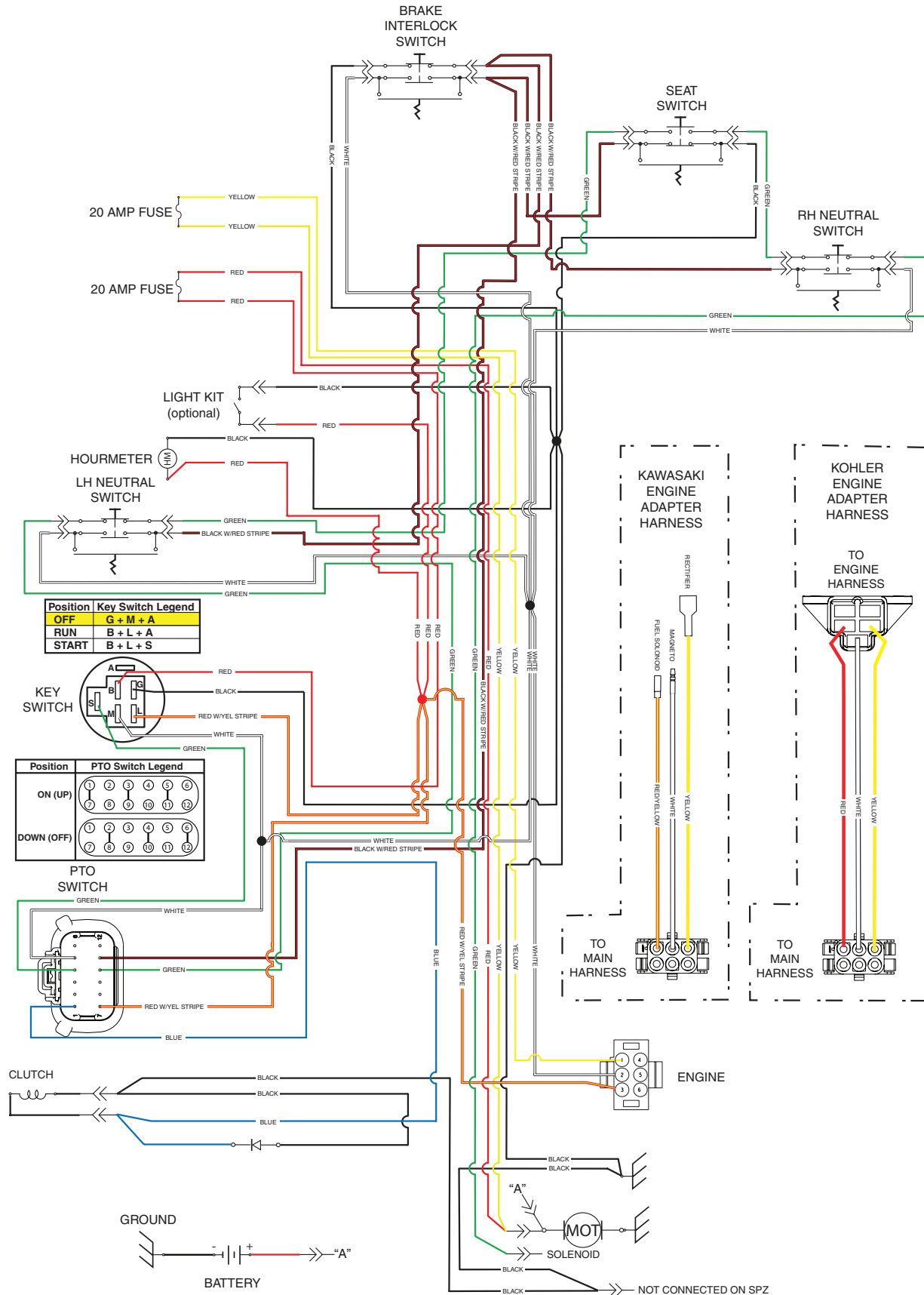


15

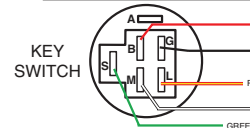


SPZ - ELECTRICAL SCHEMATIC

(shown with Key Off, PTO Off, Park Brake Applied, Control Handles in Neutral, Seat Switch Disengaged)



Position	Key Switch Legend
OFF	G + M + A
RUN	B + L + A
START	B + L + S



Position	PTO Switch Legend
ON (UP)	① ② ③ ④ ⑤ ⑥
DOWN (OFF)	① ② ③ ④ ⑤ ⑥

