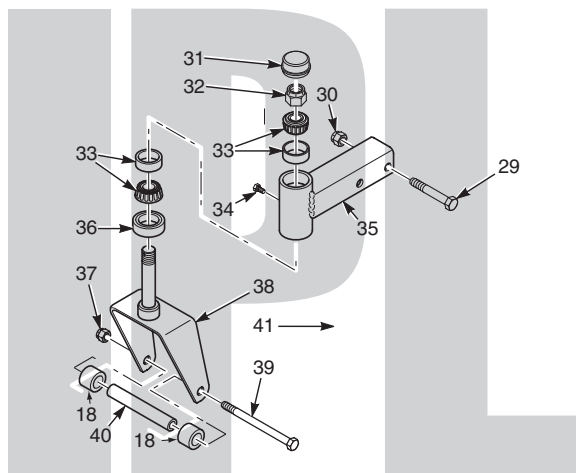


SCAG[®]

POWER EQUIPMENT



ILLUSTRATED PARTS MANUAL



Model SZL Liberty Z

THIS MANUAL CONTAINS THE ILLUSTRATED PARTS LIST FOR MODELS:

SZL36-18FR
SZL48-21FR
SZL52-23FR
SZL61-26KT

with a serial number of P8400001 to P8499999
with a serial number of P8500001 to P8599999
with a serial number of P8600001 to P8699999
with a serial number of P8700001 to P8799999

Table of Contents

ILLUSTRATED PARTS LIST	2
SCAG APPROVED ATTACHMENTS AND ACCESSORIES.....	2
36 CUTTER DECK	4
48, 52 & 61 CUTTER DECKS	6
36 CUTTER DECK CONTROLS	8
48, 52 & 61 CUTTER DECK CONTROLS.....	10
36 SHEET METAL COMPONENTS	12
48, 52 & 61 SHEET METAL COMPONENTS.....	14
36 DRIVE SYSTEM COMPONENTS	16
48, 52 & 61 DRIVE SYSTEM COMPONENTS	18
36 ELECTRICAL SYSTEM	20
48, 52 & 61 ELECTRICAL SYSTEM.....	22
FUEL SYSTEM.....	24
LIBERTY TRANSAXLE (ZT-2800 36")	26
LIBERTY TRANSAXLE (ZT-2800 48/52")	28
LIBERTY TRANSAXLE (ZT-2800 61")	30
REPLACEMENT DECALS AND INFORMATION PLATES	32
ELECTRICAL SCHEMATIC	34



ILLUSTRATED PARTS LIST

SCAG APPROVED ATTACHMENTS AND ACCESSORIES.

Attachments and accessories manufactured by companies other than Scag Power Equipment are not approved for use on this machine.

Scag approved attachments and accessories:

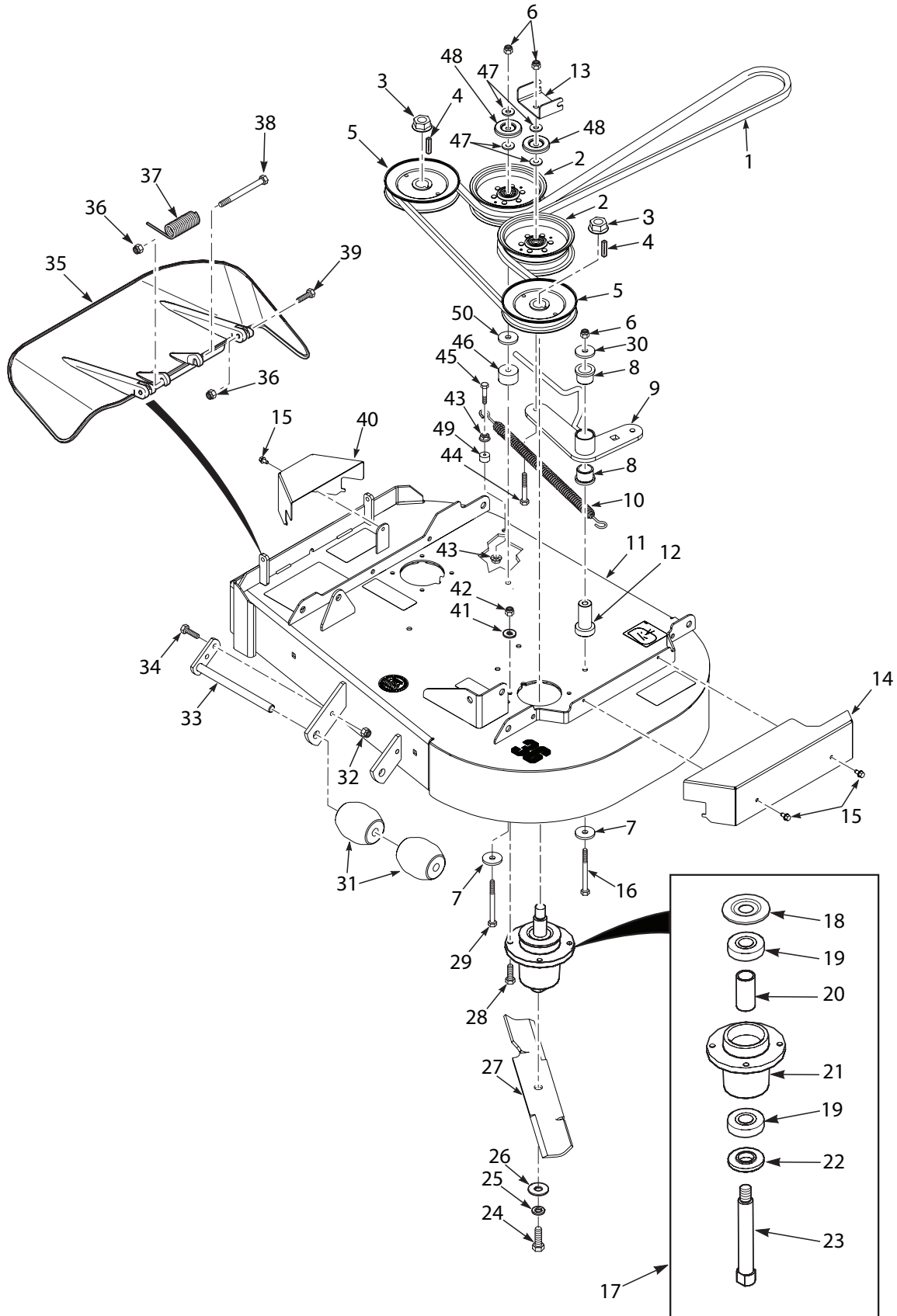
- GC-SZL/SFZ/SPZ (p/n 901K, requires p/n 9070 (36"), 9069 (48") or 9070 (52") baffle kit)
- Mulch Plate (p/n 920G, 9298, 9299)
- Hurricane Mulch (p/n 920D, 9293, 9294)
- Hitch (p/n 9242)(48 & 52 Only)
- Striper (p/n 923M (36), 921F; Requires 922Q SZL Striper Install Kit)
- GC-F4 (p/n 9075)
- Blade Buddy (p/n 9212)
- SZL Lights (p/n 922R)
- SZL Armrest Kit (36)(p/n 924T) (48,52,61)(p/n 924S)
- SZL Deck Latch (p/n 922X)
- 8" Chrome Wheel Covers (set of 2) (p/n 920H)

Scag Premium Lubricants:

- Chassis Grease (p/n 486257)
- 20W50 Oil - Gallon (p/n 486254)
- 20W50 Oil - Quart (p/n 486255)

NOTES

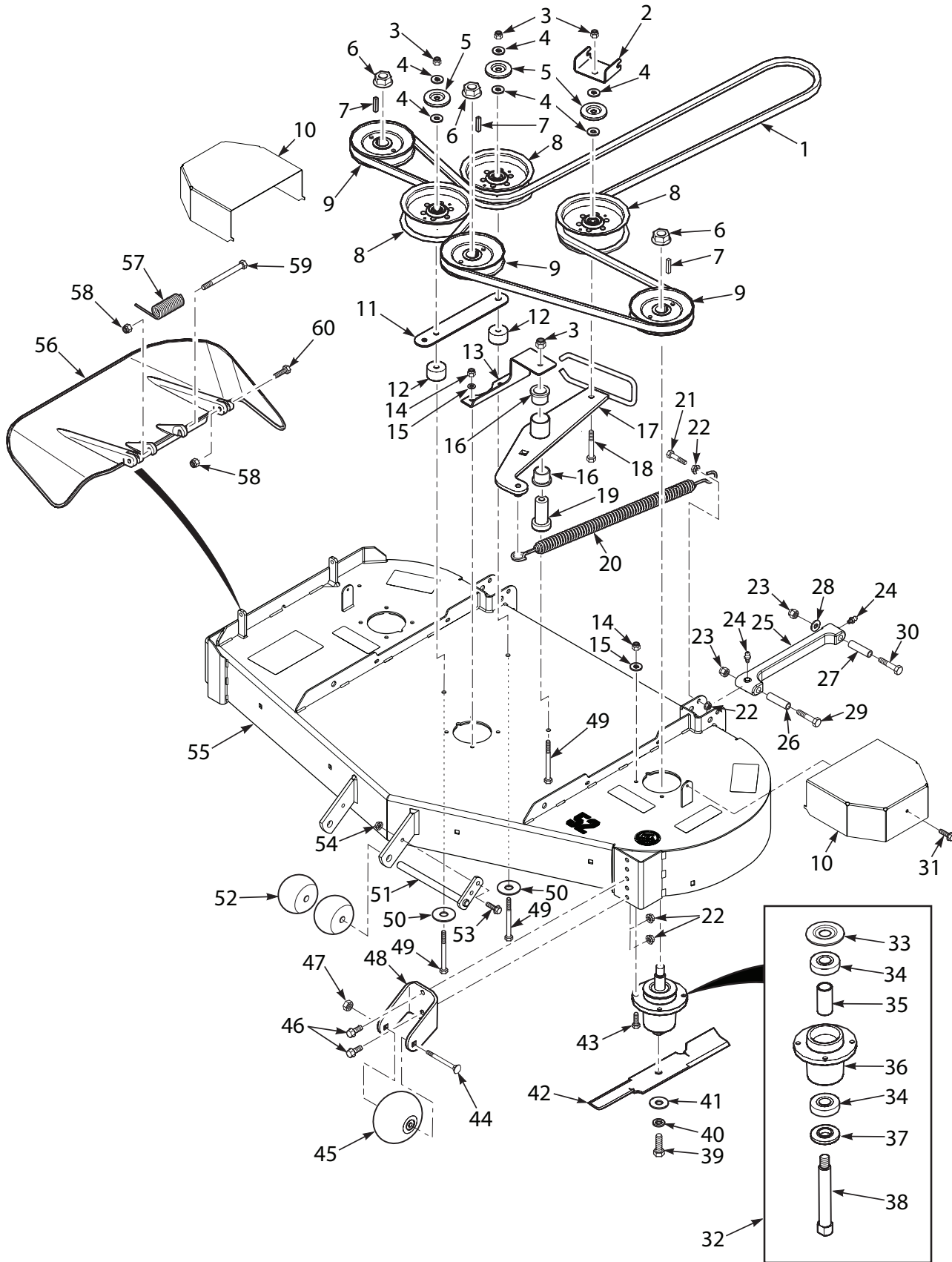
36 CUTTER DECK



36 CUTTER DECK

Ref. No.	Part No.	Qty	Description
1	485805	1	Belt, Cutter Deck
2	483422	2	Pulley, 5" Idler
3	04112-06	1	Nut, 3/4-16 Spiral Lock
4	04063-01	2	Key, 1/4 x 1/4 x 1-1/4"
5	483324	2	Pulley, 5.73" OD - 25mm Bore
6	04021-09	3	Nut, 3/8-16 Elastic Stop
7	04041-38	2	Flat washer, 3/8-.406 x 2.25 x .188
8	483453-03	2	Bearing, 1" ID
9	462944	1	Pivot, Idler Arm
10	483375	1	Spring, Cutter Deck Idler
11	462945	1	Cutter Deck w/Decals, SMLZ-36
12	43708	1	Pivot, Idler
13	424615	1	Bracket, Belt Guide
14	427325	1	Belt Cover LH SMZL-36
15	04011-29	3	Screw, 1/4-20 x .375"
16	04001-30	1	Bolt, Hex Head 3/8-16 x 4.00
17	461950	2	Spindle Assembly (INCL. 18,19,20,21,22,23)
18	483304	1	Debris Shield
19	483303	2	Bearing
20	43693	1	Spacer
21	462014	1	Spindle Housing Assembly (INCL. 19,20)
22	43694	1	Protector, Bearing
23	43695	1	Shaft, Spindle
24	04001-121	2	Bolt, Hex Head 5/8-11 x 1-1/2"
25	04030-07	2	Lockwasher, 5/8"
26	04043-06	2	Flatwasher, 5/8-.688 x 1.75 x .134 HD
27	482878	2	Cutter Blade, 18"
28	04001-175	8	Bolt, Hex Head 5/16-18 x 1-1/2" Gr.8
29	04001-77	1	Bolt, Hex Head 3/8-16 x 3-1/2"
30	04041-11	1	Flatwasher, 3/8-.406 x 1.50 x .1793
31	482295	2	Wheel, Anti-Scalp
32	04117-01	1	Nut, 5/16-18 Flange Elastic Stop
33	451926	1	Shaft Weldment, Guide Roller
34	04001-09	1	Bolt, Hex Head 5/16-18 x 1"
35	462031	1	Discharge Chute
36	04021-10	2	Nut, 5/16-18 Elastic Stop
37	482245	1	Spring, Discharge Chute
38	04001-154	1	Bolt, Hex Head 5/16-18 x 4-3/4"
39	04001-12	1	Bolt, Hex Head 5/16-18 x 1-3/4"
40	427319	1	Belt Cover, RH SMZL-36
41	04030-03	8	Lockwasher, 5/16"
42	04021-22	8	Nut, 5/16-18 Elastic Stop Grade 8
43	04019-04	2	Nut, 3/8-16 Serrated Flange
44	04001-31	1	Bolt, Hex Head 3/8-16 x 2 1/2"
45	04001-136	1	Bolt, Hex Head 3/8-16 x 1-1/2" Gr.8
46	43711	1	Spacer
47	04043-04	4	Flatwasher, 3/8-.391 x .938 x .105 HD
48	424367	2	Dust Shield
49	43063	1	Spacer, Spring Anchor
50	04043-11	1	Flatwasher, 3/8-.438 x 1.5 x .1793 HD

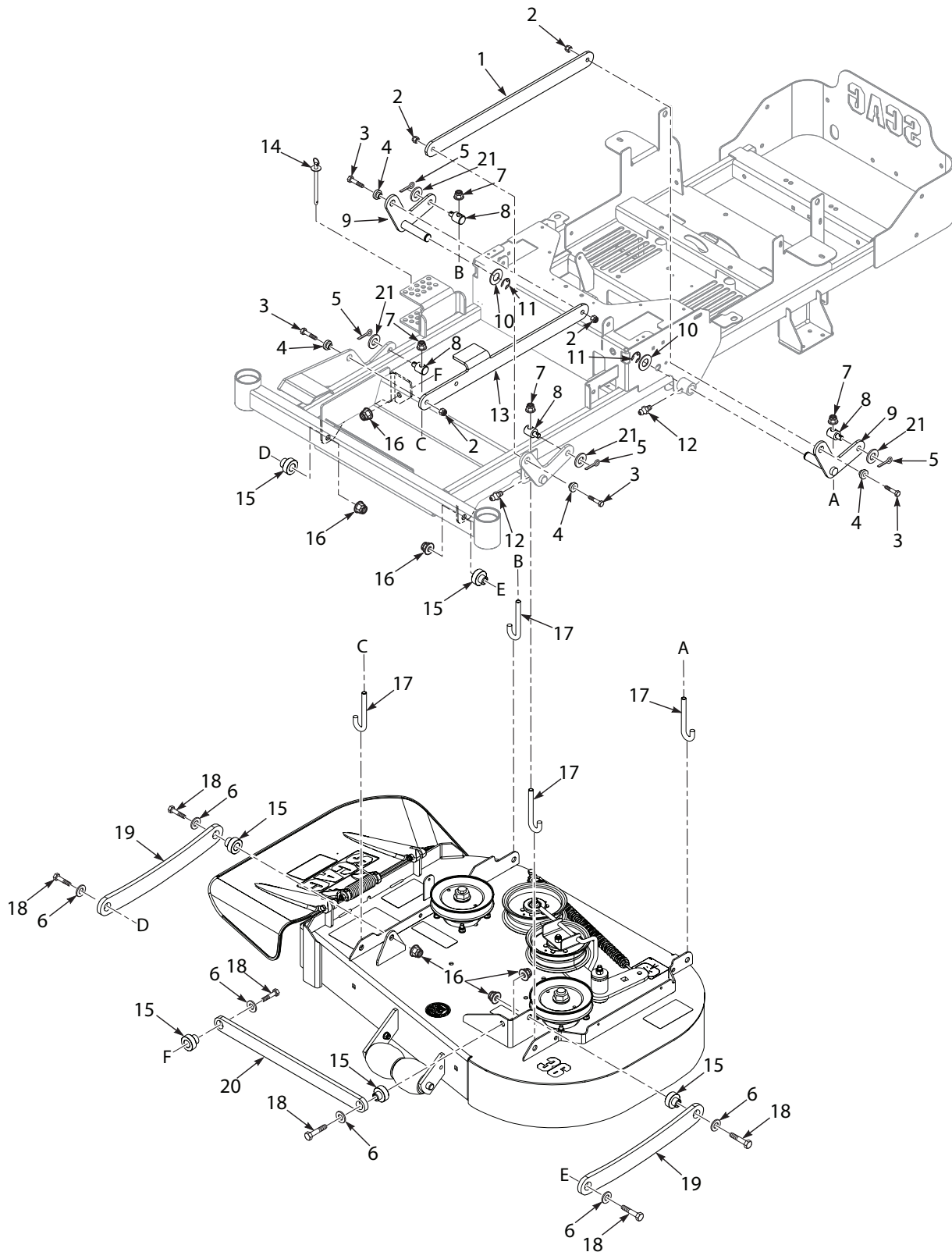
48, 52 & 61 CUTTER DECKS



48, 52 & 61 CUTTER DECKS

	Part No.	Qty	Description	48	52	61		Part No.	Qty	Description	48	52	61
1	485350	1	Belt, Cutter Deck - 48	x			34	483303	2	Bearing	x	x	x
	485424	1	Belt, Cutter Deck - 52		x		35	43693	1	Spacer	x	x	x
	486027	1	Belt, Cutter Deck - 61			x	36	462014	1	Spindle Housing (incl. 34, 35)	x	x	x
2	424615	1	Bracket, Belt Guide	x	x	x	37	43694	1	Protector, Bearing	x	x	x
3	04021-09	4	Nut, 3/8-16 x 16 Elastic Stop	x	x	x	38	43695	1	Shaft, Spindle	x	x	x
4	04043-04	6	Flatwasher, 3/8-.391 x .938 x .105	x	x	x	39	04001-121	3	Bolt, Hex Head 5/8-11 x 1-1/2"	x	x	x
5	424367	3	Dust Shield	x	x	x	40	04030-07	3	Lockwasher, 5/8"	x	x	x
6	04112-06	3	Nut, 3/4-16 Spiral Lock	x	x	x	41	04043-06	3	Flatwasher, 5/8-.688 x 1.75 x .134 HD	x	x	x
7	04063-01	3	Key, 1/4 x 1/4 x 1-1/4"	x	x	x	42	482877	3	Cutter Blade, 16-1/2"	x		
8	483422	3	Pulley, 5" Idler	x	x	x		482878	3	Cutter Blade, 18"		x	
9	483323	3	Pulley, 5.13" OD - 25mm Bore	x				482879	3	Cutter Blade, 21"			x
	483324	3	Pulley, 5.73" OD - 25mm Bore		x		43	04001-175	12	Bolt, Hex Head 5/16-18 x 1-1/2" Gr.8	x	x	x
	484026	3	Pulley, 6.32" OD - 25mm Bore			x	44	04003-26	1	Bolt, Carriage 3/8-16 x 4"	x	x	x
10	426729	2	Belt Cover, SZL	x	x		45	481632	1	Wheel, Anti-Scalp	x	x	x
	425260	2	Belt Cover, SZL-61			x	46	04017-27	2	Bolt, Hex Head Serr. Flange 3/8-16 x 1"	x	x	x
11	424479	1	Brace, Pulley	x	x	x	47	04021-05	1	Nut, 3/8-16 Center Lock	x	x	x
12	43711	2	Spacer	x	x	x	48	427865	1	Bracket, Anti-Scalp	x	x	x
13	424548	1	Support, Idler Pivot - 48	x			49	04001-77	3	Bolt, Hex Head 3/8-16 x 3-1/2"	x	x	x
	425447	1	Support, Idler Pivot - 52		x		50	04041-38	2	Flatwasher, 3/8-.406 x 2.250 x .188	x	x	x
	425264	1	Support, Idler Pivot - 61			x	51	451926	1	Shaft Weldment, Guide Roller	x	x	x
14	04021-22	12	Nut, 5/16-18 Elastic Stop Grade 8	x	x	x	52	482295	2	Wheel, Anti-Scalp	x	x	x
15	04030-03	12	Lockwasher, 5/16"	x	x	x	53	04001-09	1	Bolt, Hex Head 5/16-18 x 1"	x	x	x
16	483453-03	2	Bearing, 1" ID	x	x	x	54	04117-01	1	Nut, 5/16-18 Flange Elastic Stop	x	x	x
17	462037	1	Idler Arm Assembly (incl. 16)	x	x	x	55	462794	1	Cutter Deck w/Decals	x		
18	04001-31	1	Bolt, Hex Head 3/8-16 x 2-1/2"	x	x	x		462795	1	Cutter Deck w/Decals		x	
19	43708	1	Pivot, Idler	x	x	x		463103	1	Cutter Deck w/Decals			x
20	483375	1	Spring, Cutter Deck Idler	x	x	x	56	462031	1	Discharge Chute	x		
21	04001-136	1	Bolt, Hex Head 3/8-16 x 1-1/2" Gr.8	x	x	x		462032	1	Discharge Chute		x	
22	04019-04	4	Nut, 3/8-16 Serrated Flange	x	x	x		462213	1	Discharge Chute			x
23	04021-07	4	Nut, 1/2-13 Elastic Stop	x	x	x	57	482245	1	Spring, Discharge Chute	x	x	x
24	48114-04	4	Grease Fitting, 1/4-28 Self Tap	x	x	x	58	04021-10	3	Nut, 5/16-18 Elastic Stop	x	x	x
25	462769	1	Pusharm Assembly, LH (incl. 24)	x	x	x	59	04001-154	1	Bolt, Hex Head 5/16-18 x 4-3/4"	x	x	x
	462770	1	Pusharm Assembly, RH (incl. 24)	x	x	x	60	04001-12	2	Bolt, Hex Head 5/16-18 x 1-3/4"	x	x	x
26	43985	2	Spacer, Pusharm - Deck	x	x	x							
27	43986	2	Spacer, Pusharm - Axle	x	x	x							
28	04040-07	2	Flatwasher, 1/2-.531 x 1.062 x .095	x	x	x							
29	04001-145	2	Bolt, Hex Head 1/2-13 x 3-1/2"	x	x	x							
30	04001-52	2	Bolt, Hex Head 1/2-13 x 2-1/2"	x	x	x							
31	04011-29	2	Screw, 1/4-20 x .375"	x	x								
	04013-05	4	Screw, 3/8-16 x 3/4"			x							
32	461950	3	Spindle Assembly	x	x	x							
33	483304	1	Debris Shield	x	x	x							

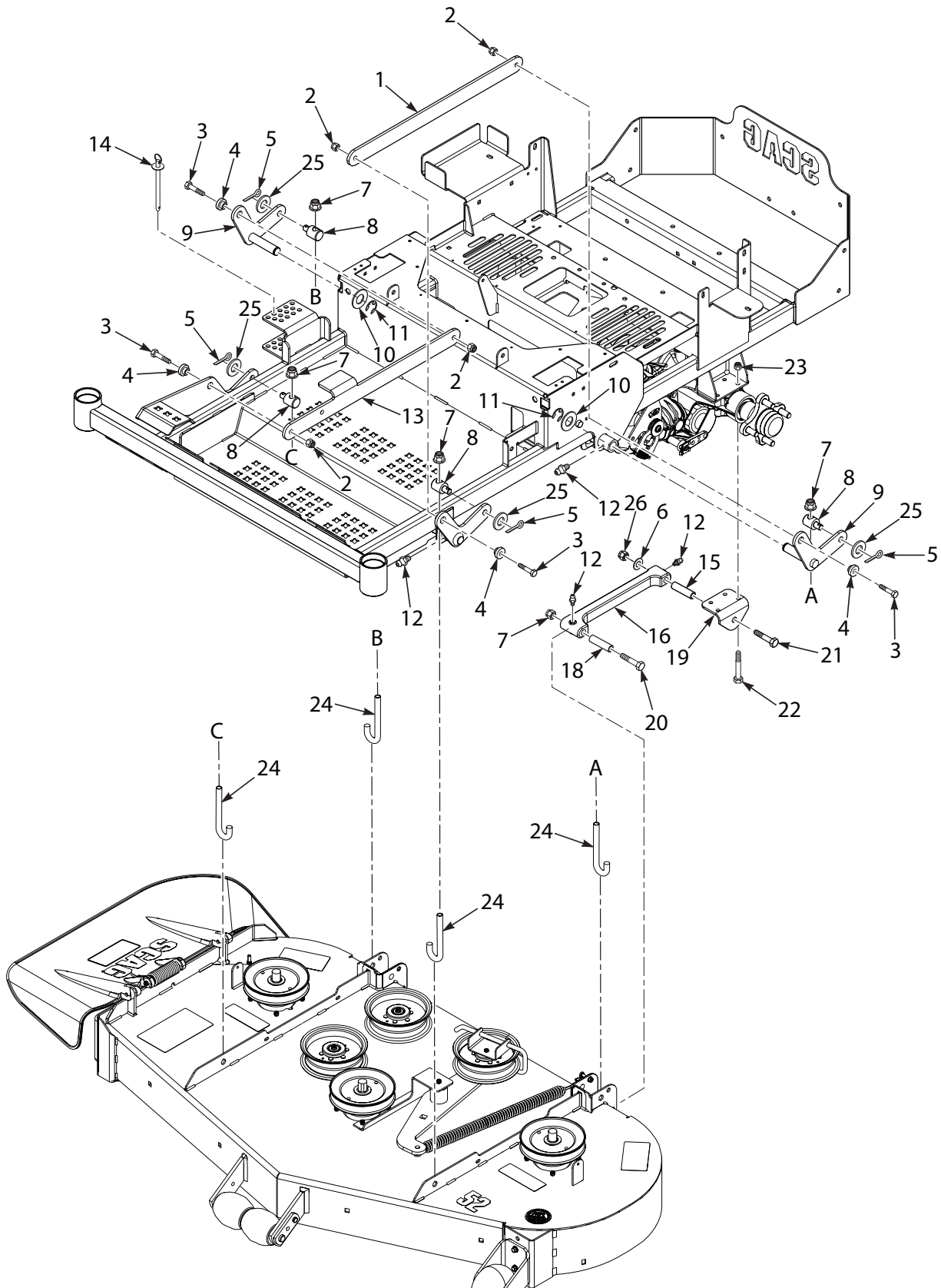
36 CUTTER DECK CONTROLS



36 CUTTER DECK CONTROLS

Ref. No.	Part No.	Qty	Description
1	428142	1	Link, Deck Lift - LH
2	04117-02	4	Nut, 3/8-16 Elastic Stop
3	04001-32	4	Bolt, Hex Head 3/8-16 x 1-1/4"
4	43086	4	Bushing
5	04061-07	4	Cotter Pin, 3/16 x 1"
6	04040-07	6	Flatwasher, 1/2-.531 x 1.062 x .095
7	04021-07	4	Nut, 1/2-13 Elastic Stop
8	431072	4	Joint, Swivel
9	452962	2	Lift Bellcrank Weldment
10	04041-08	2	Flatwasher, 3/4-.769 x 1.250 x .0598
11	04050-02	2	Retaining Ring, .750 "E"
12	48114-04	4	Grease Fitting, 1/4-28 Self Tap
13	428143	1	Link, Deck Lift - RH
14	485351	1	Pin Assembly, Deck Height
15	431087	6	Bushing, Deck latch
16	04117-04	6	Nut, 1/2-13 Elastic Stop
17	44220	6	Rod, Deck lift
18	04001-183	4	Bolt, Hex Head 1/2-13 x 1-3/4"
19	427302	2	Pull Arm, Deck
20	427303	1	Lateral Link
21	04040-09	4	Flatwasher, 5/16 - .656 x 1.312 x .095

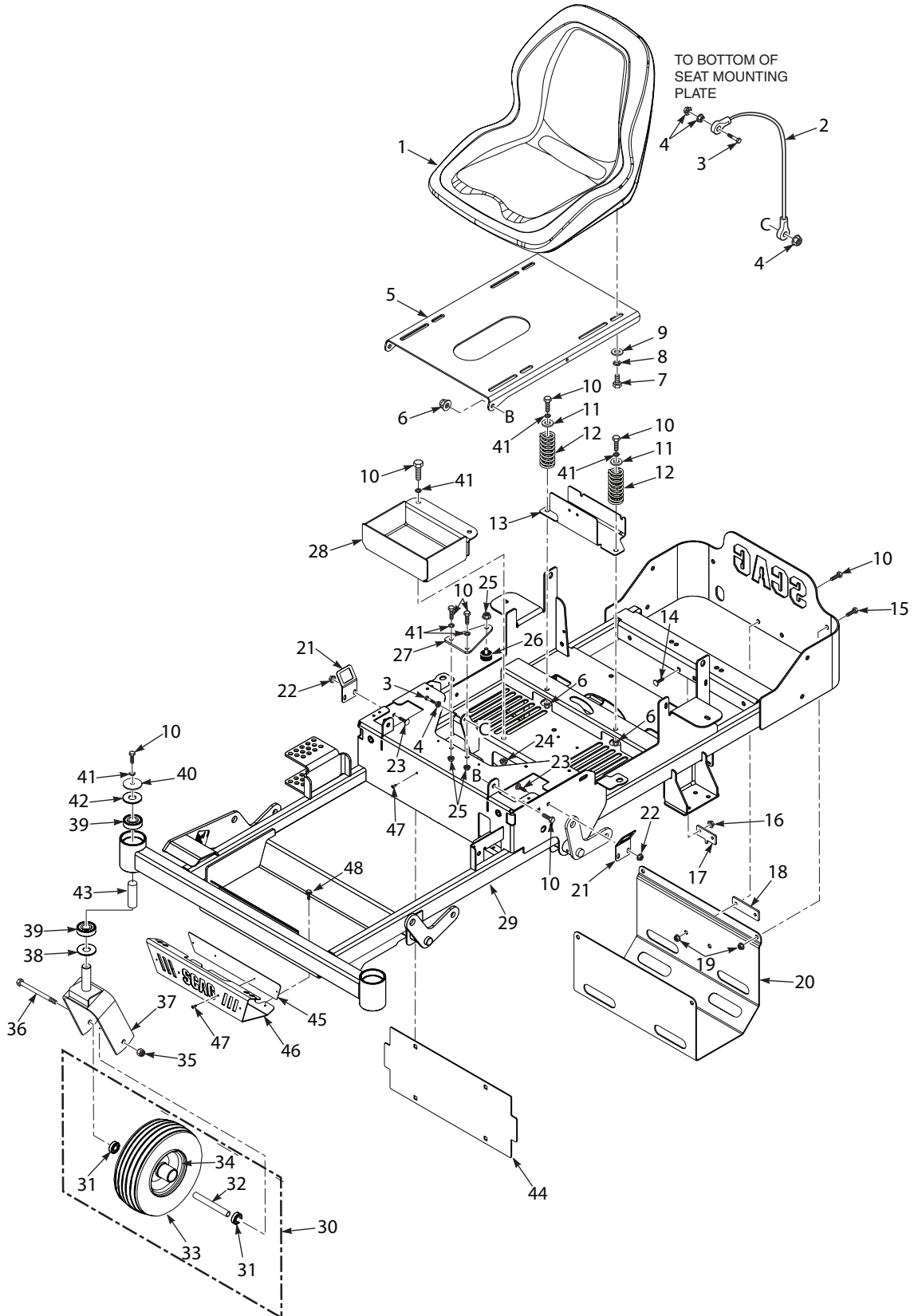
48, 52 & 61 CUTTER DECK CONTROLS



48, 52 & 61 CUTTER DECK CONTROLS

Ref. No.	Part No.	Qty	Description
1	428142	1	Link, Deck Lift - LH
2	04117-02	4	Nut, 3/8-16 Elastic Stop
3	04001-32	4	Bolt, Hex Head 3/8-16 x 1-1/4"
4	43086	4	Bushing
5	04061-07	4	Cotter Pin, 3/16 x 1"
6	04040-07	2	Flatwasher, 1/2-.531 x 1.062 x .095
7	04021-07	6	Nut, 1/2-13 Elastic Stop
8	431072	4	Joint, Swivel
9	452962	2	Lift Bellcrank Weldment
10	04041-08	2	Flatwasher, 3/4-.769 x 1.250 x .0598
11	04050-02	2	Retaining Ring, .750 "E"
12	48114-04	8	Grease Fitting, 1/4-28 Self Tap
13	428143	1	Link, Deck Lift - RH
14	485351	1	Pin Assembly, Deck Height
15	43986	2	Spacer, Pusharm - Axle
16	462769	1	Pusharm Assembly, LH (incl. 12)
17	462770	1	Pusharm Assembly, RH (incl. 12)
18	43985	2	Spacer, Pusharm - Deck
19	424489	2	Bracket, Pusharm
20	04001-145	2	Bolt, Hex Head 1/2-13 x 3-1/2"
21	04001-52	2	Bolt, Hex Head 1/2-13 x 2-1/2"
22	04001-49	8	Bolt, Hex Head 5/16-18 x 3"
23	04021-10	8	Nut, 5/16-18 Elastic Stop
24	44220	4	Rod, Deck Lift
25	04040-09	4	Washer, Flat, 5/8 - .656 x 1.312 x .095
26	04021-19	2	Nut, 1/2-13 Center Lock

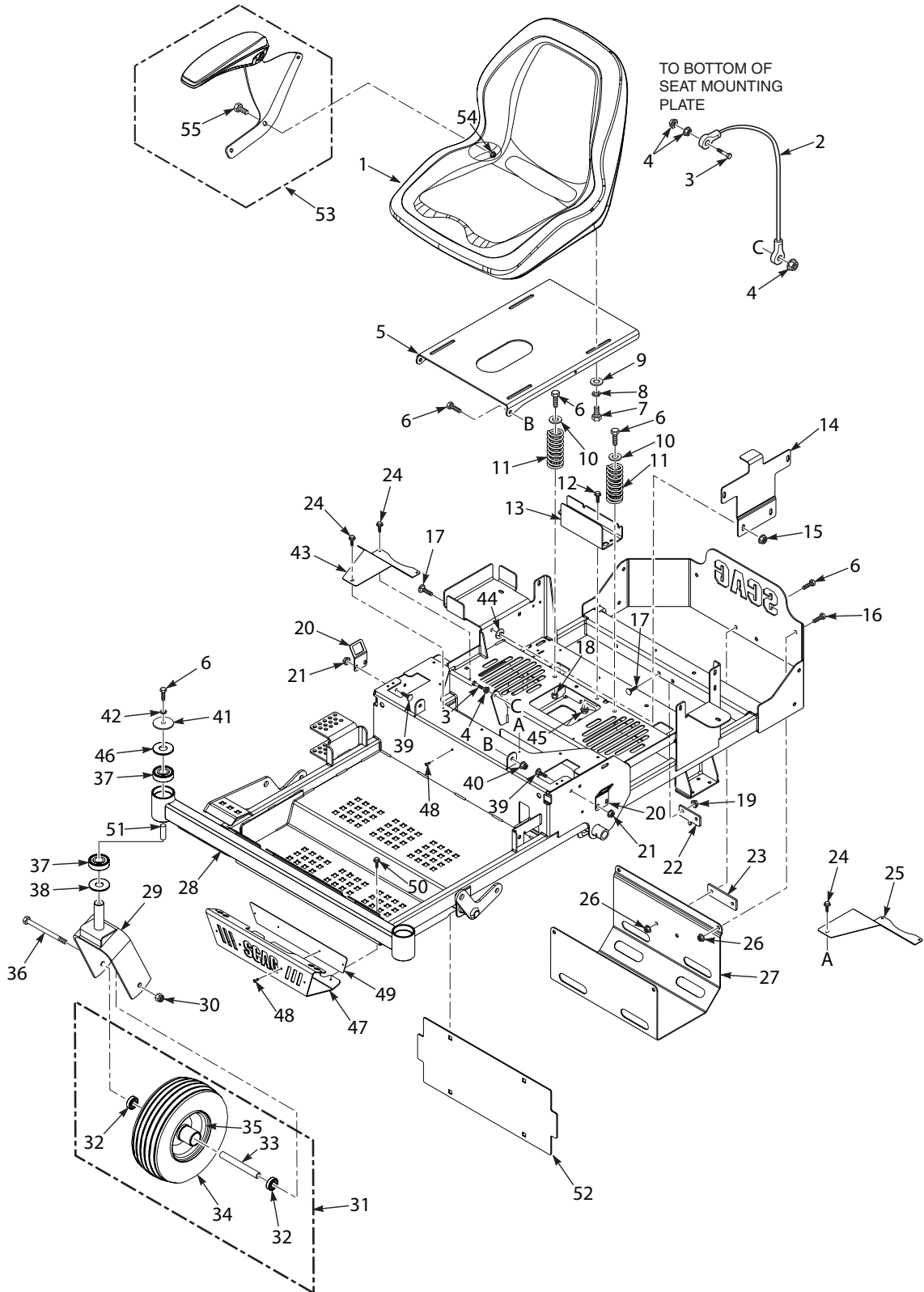
36 SHEET METAL COMPONENTS



36 SHEET METAL COMPONENTS

Ref. No.	Part No.	Qty	Description
1	486499	1	Seat, SZL
2	483559	1	Cable, Seat Stop
3	04001-59	2	Bolt, Hex Head 1/4-20 x 1-1/4"
4	04019-02	4	Nut, 1/4-20 Serrated Flange
5	463185	1	Seat-Plate W/Decal
6	04117-02	2	Nut, Flanged Elastic Stop, 3/8-16
7	04001-09	4	Bolt, Hex Head 5/16-18 x 1"
8	04030-03	4	Lockwasher, 5/16"
9	04040-15	4	Flatwasher, 5/16-.375 x .875 x .083
10	04001-19	10	Bolt, Hex Head 3/8-16 x 1"
11	04041-07	2	Flatwasher, 3/8-.391 x .938 x .105
12	483372	2	Spring, Seat
13	427341	1	Seat Stop
14	04003-12	2	Bolt, Carriage 5/16-18 x 3/4"
15	04001-18	4	Bolt, Hex Head 3/8-16 x 3/4"
16	04117-01	2	Nut, 5/16-18 Elastic Stop
17	427961	1	Plate, Anti-Rotation
18	428187	1	Plate, Spacer
19	04019-04	6	Nut, 3/8-16 Serrated Flange
20	428131	1	Skid Plate, SZL-36
21	426727	2	Bracket, Switch
22	04117-03	4	Nut, 1/4-20 Flange Elastic Stop
23	04003-02	4	Bolt, Carriage 1/4-20 x 3/4"
24	04132-01	2	Threaded Insert, 3/8-16
25	04132-01	3	Threaded Insert, 3/8-16
26	481284	1	Bumper, Rubber
27	428183	1	Battery Hold Down
28	428186	1	Battery Box
29	463211	1	Frame Assembly, SZL-36
30	485207	2	Caster Wheel Assembly (incl. 31, 32, 33, 34)
31	485243	4	Bearing
32	43974	2	Spacer, Wheel Bearings
33	483417	2	Tire, 11 x 6 x 5
34	485242	2	Rim Assembly (incl. 31, 32)
35	04021-07	2	Nut, 1/2-13 Elastic Stop
36	04001-80	2	Bolt, Hex Head 1/2-13 x 6-1/2"
37	463183	2	Caster Assembly (INCL 30,35,36)
	453060	2	Yoke Weldment, Caster
38	424636	2	Spacer, Yoke
39	483466	4	Bearing
40	04041-38	2	Flatwasher, 3/8-.406 x 2.25 x .188
41	04030-04	8	Lockwasher, 3/8"
42	04040-11	2	Flatwasher, 7/16-.500 x 1.25 x .83
43	43736	2	Spacer, Caster Bearing
44	428141	1	Plate, Backing
45	427875	1	Plate, Decal
46	427868	1	Bumper, Front
47	04090-03	6	Pop, Rivet 3/16 x .402
48	04011-29	4	Screw, 1/4-20 x .375 Shakeproof

48, 52 & 61 SHEET METAL COMPONENTS

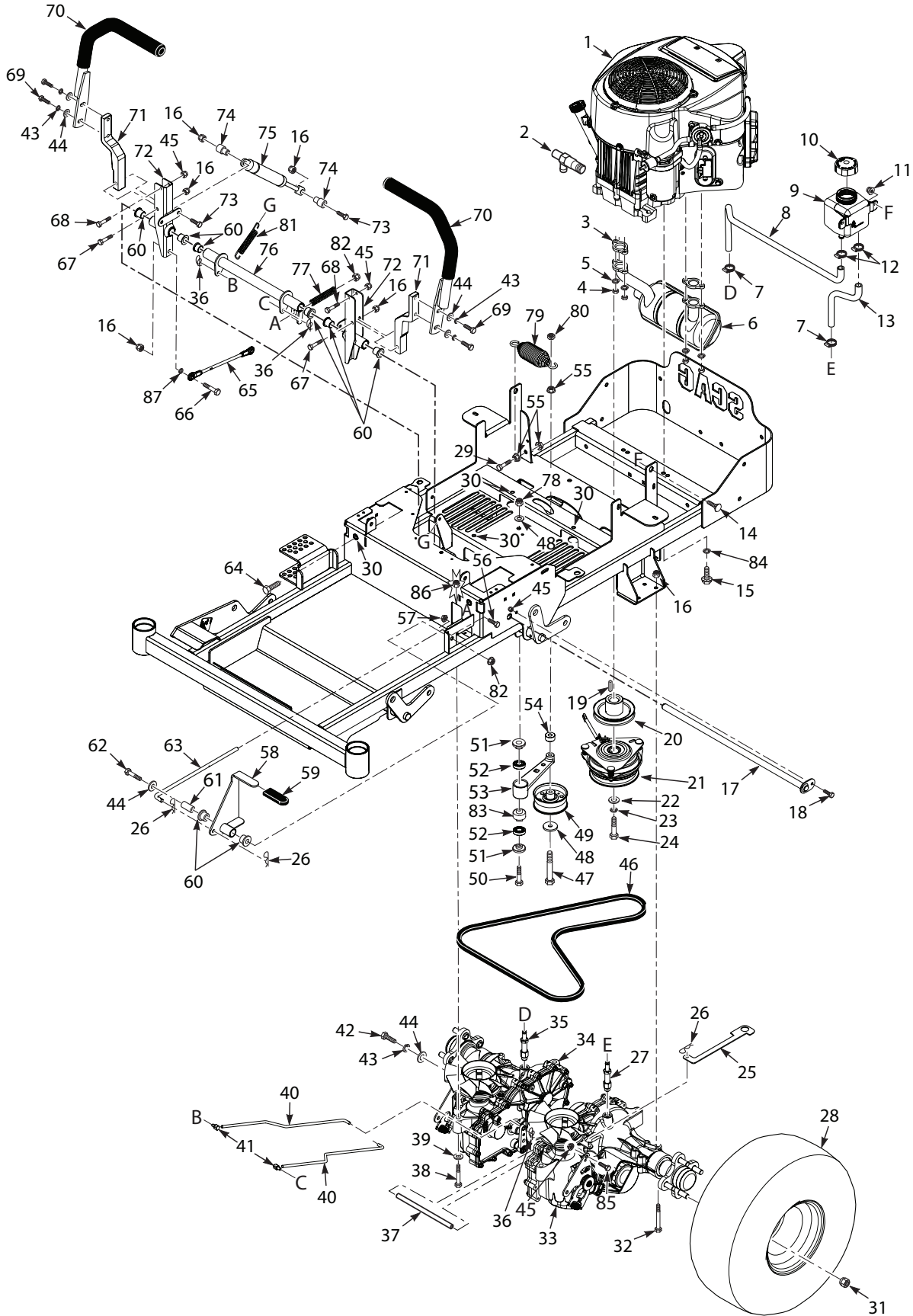


48, 52 & 61 SHEET METAL COMPONENTS

	Part No.	Qty	Description
1	486499	1	Seat, SZL
2	483559	1	Cable, Seat Stop
3	04001-59	2	Bolt, Hex Head 1/4-20 x 1-1/4"
4	04019-02	4	Nut, 1/4-20 Serrated Flange
5	463185	1	Seat Plate w/Decal
6	04001-19	8	Bolt, Hex Head 3/8-16 x 1"
7	04001-09	4	Bolt, Hex Head 5/16-18 x 1"
8	04030-03	4	Lockwasher, 5/16"
9	04040-15	4	Flatwasher, 5/16-.375 x .875 x .083
10	04041-07	2	Flatwasher, 3/8-.391 x .938 x .105
11	483372	2	Spring, Seat
12	04017-16	2	Bolt, Hex Head 5/16-18 x 3/4" Serrated Flange
13	426768	1	Channel, Hose
14	428184	1	Battery Hold Down
15	04117-01	2	Nut, 5/16-18 Flange Elastic Stop
16	04001-18	4	Bolt, Hex Head 3/8-16 x 3/4"
17	04003-12	4	Bolt, Carriage 5/16-18 x 3/4"
18	04021-09	2	Nut, 3/8-16 Elastic Stop
19	04117-01	2	Nut, 5/16-18 Flange Elastic Stop
20	426727	2	Bracket, Switch
21	04117-03	4	Nut, 1/4-20 Flange Elastic Stop
22	427961	1	Plate, Anti-Rotation
23	428187	1	Plate, Spacer
24	04011-11	6	Screw, #10-32 x .56
25	426767	1	Guard, Belt - LH
26	04019-04	6	Nut, 3/8-16 Serrated Flange
27	428132	1	Skid Plate, SZL
28	463212	1	Mainframe w/Decals - SZL
	463213	1	Mainframe w/Decals - SZL-61
29	463184	2	Caster Assembly (INCL 30,31,36)
	453010	2	Yoke Weldment, Caster
30	04021-07	2	Nut, 1/2-13 Elastic Stop

	Part No.	Qty	Description
31	485939	2	Caster Wheel Assembly (incl. 32, 33, 34, 35)
32	485243	4	Bearing
33	431052	1	Spacer, Wheel Bearing
34	485941	1	Tire, 11 x 6 x 5
35	485940	1	Rim Assembly (incl. 32, 33)
36	04001-134	2	Bolt, Hex Head 1/2-13 x 6-1/2"
37	483466	4	Bearing
38	424636	2	Spacer, Yoke
39	04003-02	4	Bolt, Carriage 1/4-20 x 3/4"
40	04117-02	2	Nut, 3/8-16 Flange Elastic Stop
41	04041-38	2	Flatwasher, 3/8-.406 x 2.25 x .188
42	04030-04	2	Lockwasher, 3/8"
43	426785	1	Guard, Belt - RH
44	04024-03	2	U-Nut, 5/16 Push-On
45	04019-03	2	Nut, 5/16-18 Serrated Flange
46	04040-11	2	Flatwasher, 7/16-.500 x 1.25 x .83
47	427868	1	Bumper, Front
48	04090-03	4	Rivet, 3/16 x .402
49	427875	1	Plate, Decal
50	04011-29	4	Screw, 1/4-20 x .375
51	43736	2	Spacer, Caster Bearing
52	428141	1	Plate, Backing
53	924s	1	SZL Armrest Kit (INCL 54,55, 04001-21-Bolts & p/n 426951 - Spacer)
54	04110-06	6	U-nut, 1/4-14
55	04011-32	6	Screw, Self Tapping 1/4-14 x 1"

36 DRIVE SYSTEM COMPONENTS



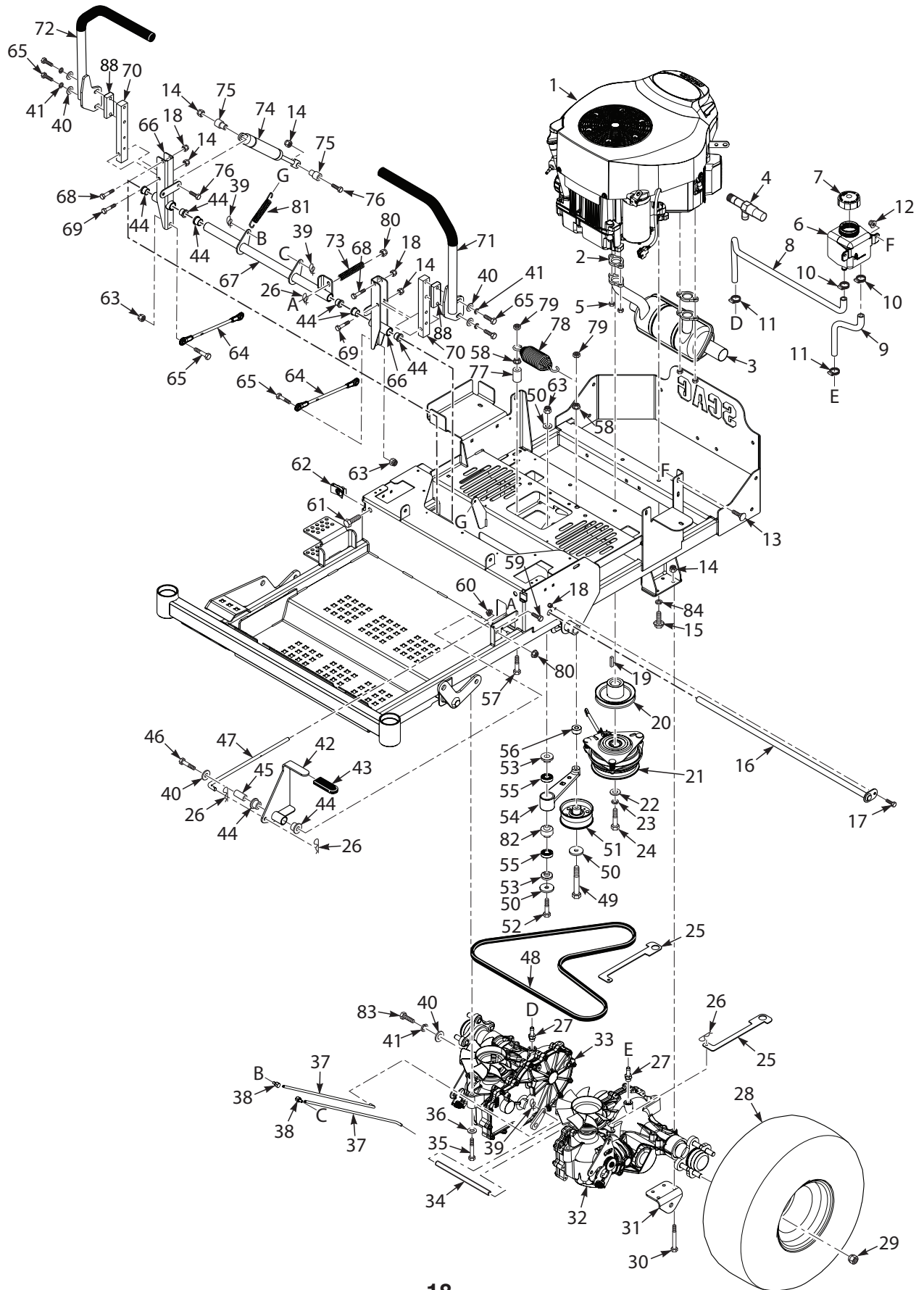
36 DRIVE SYSTEM COMPONENTS

	Part No.	Qty	Description
1	*485192	1	Engine, Kawasaki - FR600V (INCL. 3,4,5)
2	*	1	Oil Drain, Kawasaki
3	484210	2	Gasket, Exhaust
4	04025-04	4	Nut, M8 x 1.25 Hex Special
5	04033-01	4	Lockwasher, M8 Metric Spring
6	485193	1	Muffler, Kawasaki FR600V
7	48136-13	2	Clamp, .69 Max. Dia.
8	485809	1	Hose, RH Transaxle
9	483438	1	Reservoir Assembly (incl. 10)
10	483514	1	Cap
11	04117-03	2	Nut, 1/4-20 Flange Elastic Stop
12	48136-05	2	Clamp, .87 Max. Dia.
13	485401	1	Hose, LH Transmission
14	04003-02	2	Bolt, Carriage 1/4-20 x 3/4"
15	04001-32	4	Bolt, Hex Head 3/8-16 x 1 1/4"
16	04021-10	14	Nut, 5/16-18 Elastic Stop
17	452847	1	Shaft Weldment, Control Arm
18	04001-06	1	Bolt, Hex Head 1/4-20 x 5/8"
19	04063-01	1	Key, 1/4 x 1/4 x 1-1/4"
20	485956	1	Pulley, 4-1/2" - 1" Bore
21	462715	1	Clutch, GT1- 1" Bore
22	04041-28	1	Flatwasher, 7/16-.496 x 1.75 x .25
23	04030-05	1	Lockwasher, 7/16"
24	04102-12	1	Bolt, 7/16-20 x 3" w/Patch
25	427283	2	Lever, Dump Valve
26	04062-02	4	Hair Pin Cotter, .080 x 1.19
27	482800-02	1	Fitting, O-Ring x 3/8" Hose
28	485801	2	Wheel Assembly, 20 x 8.0-10
	485802	2	Rim W/Valve Stem 10 x 5.0
	485803	2	Tire, 20 x 8.0-10
29	04001-136	1	Bolt, Hex Head 3/8-16 x 1-1/2"
30	04132-01	8	Threaded insert, Hex Head (Pressed)
31	04028-02	8	Wheel Nut, 1/2-20 x 13/16
32	04001-13	8	Bolt, Hex Head 3/8-16 x 1-1/2"
33	485806	1	Transaxle, LH- ZT2800
34	485807	1	Transaxle, RH- ZT2800
35	485795-01	1	Fitting, O-Ring 9/16 Hose
36	04069-01	4	Pin, Rue Cotter - 3/8"
37	431039	1	Spacer, Axle
38	04001-39	4	Bolt, Hex Head 5/16-18 x 2-1/4
39	04040-15	4	Flatwasher, 5/16-.375 x .875 x .083
40	44225	2	Rod, Brake
41	43876	2	Joint, Swivel
42	04001-46	2	Bolt, Hex Head 1/4-20 x 1-1/2
43	04030-04	6	Lockwasher, 3/8"
44	04041-07	7	Flatwasher, 3/8-.391 x .938 x .105
45	04021-08	5	Nut, 1/4-20 Elastic Stop Nut

	Part No.	Qty	Description
46	485808	1	Belt, Transmission SZL-36
47	04001-51	1	Bolt, Hex Head 3/8-16 x 3-3/4"
48	04043-04	2	Flatwasher, 3/8-.391 x .938 x .105
49	486045	1	Pulley, 3-1/2" Idler
50	04001-54	1	Bolt, Hex Head 3/8-16 x 3"
51	431049	2	Pivot Idler
52	48224	2	Bearing
53	463017	1	Idler Arm Assembly (incl. 52, 83)
54	43720	1	Spacer, Idler Arm
55	04019-04	4	Nut, 3/8-16 Serrated Flange
56	04001-11	1	Bolt, Hex Head 5/16-18
57	04117-02	1	Nut, 3/8-16 Flange Elastic Stop
58	463186	1	Brake Lever Assembly (INCL 59,60)
59	482102	1	Grip, Brake Handle
60	483453-05	8	Bearing
61	43969	1	Pivot, Brake Lever
62	04001-31	1	Bolt, Hex Head 3/8-16 x 2-1/2"
63	44231	1	Rod, Upper Brake Linkage
64	04107-08	2	Bolt, Hex Head 3/8-16 x 3.0
65	485794	2	Linkage Assembly, Steering
66	04001-10	2	Bolt, Hex Head 5/16-18 x 1-1/4
67	04001-12	2	Bolt, Hex Head 5/16-18 x 1-3/4"
68	04001-02	2	Bolt, Hex Head 1/4-20 x 1-3/4"
69	04001-19	4	Bolt, Hex Head 3/8-16 x 1"
70	463163	2	Handlebar W/ Grip, SZL-36
71	485835	2	Lever, Control Arm
72	462941	2	Control Arm Weldment, SZL-36 (INCL 60)
73	04001-17	4	Bolt, Hex Head 5/16-18 x 1-1/2"
74	43833	4	Spacer, Pump Dampener
75	484193	2	Dampener
76	463023	1	Bellcrank Assembly, Brake (INCL 60)
77	483538	1	Spring, Brake
78	04021-09	2	Nut, 3/8-16 x 16 Elastic Stop
79	483112	1	Spring, Transmission Drive
80	04021-05	1	Nut, 3/8-16 Center Lock
81	483600	1	Spring, Brake Return
82	04117-02	1	Nut, 3/8-16 Flange Elastic Stop
83	431073	1	Spacer, Idler Arm
84	04030-04	4	Washer, Lock 3/8 Spring
	04031-03	1	Washer, Lock 5/16 Ext Tooth (ground)
85	04001-04	2	Bolt, Hex Head, 1/4-20 x 1 1/2"
86	04117-01	4	Nut, 5/16-18 Flanged Elastic Stop
87	04030-03	2	Washer, Lock 5/16 Spring

* Available through individual engine manufacturer.

48, 52 & 61 DRIVE SYSTEM COMPONENTS



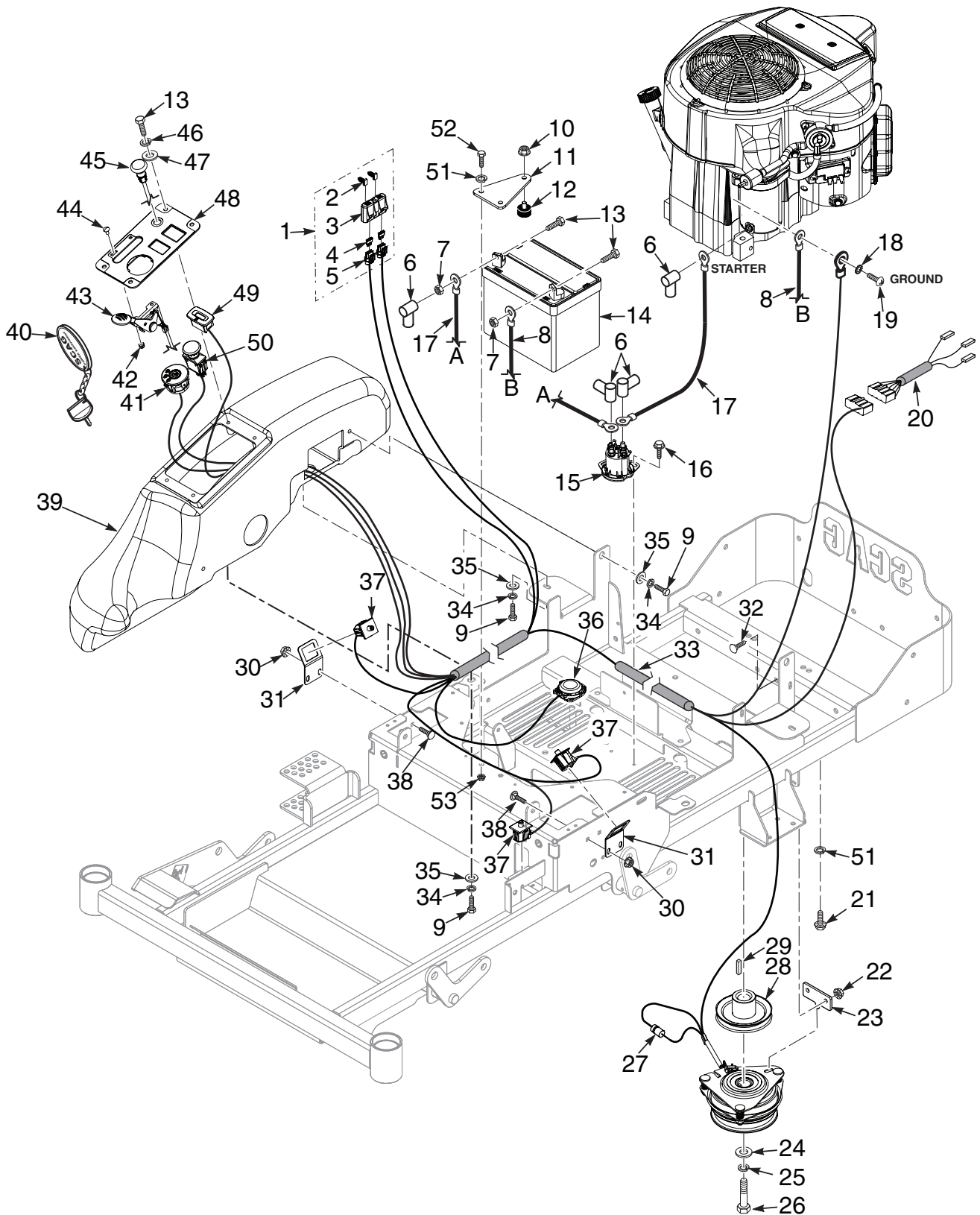
48, 52 & 61 DRIVE SYSTEM COMPONENTS

	Part No.	Qty	Description
1	*485219	1	Engine, Kawasaki - FR651V
	*485220	1	Engine, Kawasaki - FR691V
	*486021	1	Engine, Kohler - 26KT
2	*	2	Gasket, Exhaust
3	485225	1	Muffler, Kawasaki FR651V & FR691V
	485336	1	Muffler, Kohler
4	*	1	Oil Drain, Kawasaki
	484706	1	Oil Drain, Hose Assy. "Kohler"
5	04025-04	4	Nut, M8-1.25 Hex Flange
6	483438	1	Reservoir Assembly (incl. 7)
7	483514	1	Cap
8	485402	1	Hose, RH Transmission
9	485401	1	Hose, LH Transmission
10	48136-05	2	Clamp, .87 Max. Dia.
11	48136-13	2	Clamp, .69 Max. Dia.
12	04117-03	2	Nut, 1/4-20 Flange Elastic Stop
13	04003-02	2	Bolt, Carriage 1/4-20 x 3/4"
14	04021-10	18	Nut, 5/16-18 Elastic Stop
15	04001-32	4	Bolt, 3/8-16 x 1-1/4"
16	452620	1	Shaft Weldment, Control Arm
17	04001-06	1	Bolt, Hex Head 1/4-20 x 5/8"
18	04021-08	3	Nut, 1/4-20 Elastic Stop
19	04063-01	1	Key, 1/4 x 1/4 x 1-1/4"
20	485956	1	Pulley, 4-1/2" - 1" Bore
	486326	1	Pulley, 4-1/2" - 1.125" Bore (SZL-61)
21	462715	1	Clutch, GT1
	462228	1	Clutch, GT2 (SZL-61)
22	04041-28	1	Flatwasher, 7/16-.496 x 1.75 x .25
23	04030-05	1	Lockwasher, 7/16"
24	04102-12	1	Bolt, 7/16-20 x 3/4" w/Patch
25	426592	2	Lever, Dump Valve
26	04062-02	5	Hair Pin Cotter, .080 x 1.19
27	482800-02	2	Fitting, O-Ring x 3/8" Hose
28	483390	2	Wheel Assembly
	485948	2	Wheel Assembly (SZL-61)
	481868	1	Rim w/Valve Stem
	485949	11	Rim w/Valve Stem (SZL-61)
	483389	1	Tire, 20 x 10-8
	485948	1	Tire, 20 x 10-10 (SZL-61)
29	04028-02	8	Wheel Nut, 1/2-20 x 13/16
30	04001-49	8	Bolt, Hex Head 5/16-18 x 3"
31	424489	2	Bracket, Pusharm
32	485339	1	Transaxle, LH - SZL
	486038	1	Transaxle, LH - SZL-61
33	485340	1	Transaxle, RH - SZL
	486039	1	Transaxle, RH - SZL-61
34	43984	1	Spacer
35	04001-39	4	Bolt, Hex Head 5/16-18 x 2-1/4"
36	04040-15	6	Flatwasher, 5/16-.375 x .875 x .083
37	44218	2	Rod, Brake
38	43876	2	Joint, Swivel

	Part No.	Qty	Description
39	04069-01	4	Pin, Rue Cotter - 3/8"
40	04041-07	7	Flatwasher, 3/8-.391 x .938 x .105
41	04030-04	6	Lockwasher, 3/8"
42	463187	1	Brake Lever Assembly (incl. 43, 44)
43	482102	1	Grip, Brake Handle
44	483453-05	8	Bearing
45	43969	1	Pivot, Brake Lever
46	04001-31	1	Bolt, Hex Head 3/8-16 x 2-1/2"
47	44219	1	Rod, Upper Brake Linkage
48	485349	1	Belt, Transmission-SZL
49	04001-51	1	Bolt, Hex Head 3/8-16 x 3-3/4"
50	04043-04	3	Flatwasher, 3/8-.391 x .938 x .105 HD
51	486045	1	Pulley, 3-1/2" Idler
52	04001-54	1	Bolt, Hex Head 3/8-16 x 3"
53	431049	2	Pivot Idler
54	463017	1	Idler Arm Assembly (incl. 55, 84)
55	48224	2	Bearing
56	43720	1	Spacer, Pump Idler
57	04001-45	1	Bolt, Hex Head 3/8-16 x 2"
58	04019-04	2	Nut, 3/8-16 Serrated Flange
59	04001-14	1	Bolt, Hex Head 1/4-20 x 1"
60	04019-02	1	Nut, 1/4-20 Serrated Flange
61	04107-05	2	Bolt, Hex Head 3/8-16 x 2-1/2" Special Lock
62	04110-04	2	U-Nut, 3/8-16
63	04021-09	6	Nut, 3/8-16 Elastic Stop
64	485312	2	Linkage, Pump
65	04001-32	8	Bolt, Hex Head 3/8-16 x 1-1/4"
	04001-21	4	Bolt, Hex Head 3/8-16 x 1-3/4"(used when armrests are installed)
66	462797	2	Control Arm Assembly (incl. 44)
67	463019	1	Bellcrank Assembly (incl. 44)
68	04001-02	2	Bolt, Hex Head 1/4-20 x 1-3/4"
69	04001-12	2	Bolt, Hex Head 5/16-18 x 1-3/4"
70	422372	2	Bar, Control Lever
71	462740	1	Handlebar w/Grip
	484376	1	Grip, Control Lever
72	462741	1	Handlebar w/Grip
	484376	1	Grip, Control Lever
73	483538	1	Spring, Brake
74	484193	2	Dampener, Steering
75	43602	4	Spacer, Damper
76	04001-11	4	Bolt, Hex Head 5/16-18
77	43674	1	Spacer
78	483112	1	Spring, Transmission Drive
79	04021-05	2	Nut, 3/8-16 Center Lock
80	04117-02	2	Nut, 3/8-16 Flange Elastic Stop
81	483600	1	Spring, Brake Return
82	431073	1	Spacer, Idler Arm
83	04001-46	2	Bolt, 3/8-16 x 2 1/4"
84	04030-04	4	Washer, Lock 3/8 Spring
	04031-03	1	Washer, Lock 5/16 Ext Tooth (ground)
85	426951	2	Plate, Spacer (used when armrests are installed)

* Available through individual engine manufacturer.

36 ELECTRICAL SYSTEM

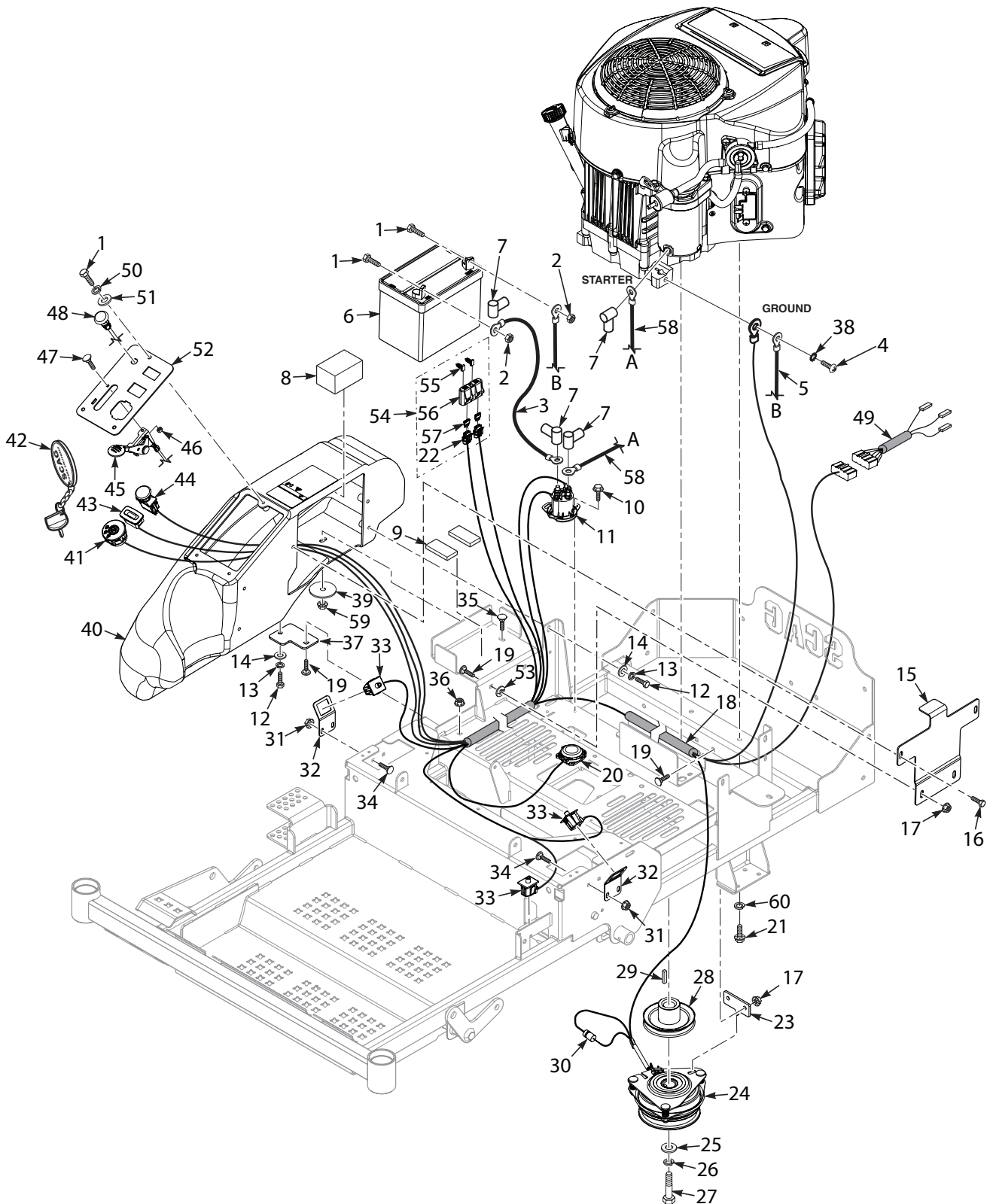


36 ELECTRICAL SYSTEM

Ref. No.	Part No.	Qty	Description
1	483642	1	Double Fuse Assembly (incl. 2, 3, 4, 5)
2	482588	2	Clip, Wire
3	483571	1	Cover, Double
4	48298	2	Fuse, 20 Amp
5	483629	2	Fuse Holder
6	48126	4	Rubber Boot
7	04020-02	2	Nut, 1/4-20 UNC
8	48029-14	1	Battery Cable, Black 31.50
9	04001-08	4	Bolt, Hex Head 5/16-18 x 3/4"
10	04019-03	1	Nut, 5/16-18 Serrated Flange
11	428183	1	Battery Hold Down
12	481284	1	Bumper, Rubber
13	04001-44	6	Bolt, Hex Head 1/4-20 x 1/2"
14	485212*	1	Battery, 12v - 230CCA
15	483278	1	Solenoid, Sealed
16	04011-14	2	Screw, Self-Tapping 1/4-20 x 3/4
17	48029-29	2	Battery Cable, Red 18.0 w/Braid
18	04031-03	1	Lockwasher, 5/16" Ext.
19	04002-06	1	Bolt, Hex Head M8 x 1-1/4 x 16
20	483529	1	Wire Harness Adapter, Kawasaki
21	04001-32	4	Bolt, Hex Head 3/8-16 x 1 1/4"
22	04117-01	2	Nut, 5/16-18 Flange Elastic Stop
23	427961	1	Plate, Anti-Rotation
24	04041-28	1	Flatwasher, 7/16-.496 x 1.75 x .25
25	04030-05	1	Lockwasher, 7/16"
26	04102-12	1	Bolt, 7/16-20 x 3 1/4" w/Patch
27	483958	1	Diode, 600V 6 Amp
28	485956	1	Pulley, 4-1/2" - 1" Bore
29	04063-01	1	Key, 1/4 x 1/4 x 1-1/4"
30	04117-03	4	Nut, 1/4-20 Flange Elastic Stop
31	426727	2	Bracket, Switch
32	04003-12	2	Bolt, Carriage 5/16-18 x 3/4"
33	486518	1	Wire Harness
34	04030-03	4	Lockwasher, 5/16"
35	04040-15	4	Flatwasher, 5/16-.375 x .875 x .083
36	483474	1	Switch, Double Pole - Twist
37	483473	3	Switch, Double Pole - Plunger
38	04003-02	4	Bolt, Carriage 1/4-20 x 3/4"
39	463189	1	Console Tank w/Decals, SZL-36
40	462069	1	Key Fob Assembly
41	483472	1	Ignition Switch
42	04021-26	2	Nut, #10-24 Elastic Stop
43	483645	1	Throttle Control, Kawasaki
44	04003-43	2	Bolt, Carriage #10-24 x 1/2"
45	483646	1	Choke Control, Kawasaki
46	04030-02	4	Lockwasher, 1/4"
47	04040-14	4	Flatwasher, 1/4-.312 x .750 x .065
48	462942	1	Instrument Panel w/Decal, SZL-36
49	485216	1	Hourmeter
50	485833	1	Switch, PTO
51	04030-04	6	Washer, Lock 3/8 Spring
52	04001-19	2	Bolt, Hex Head 3/8-16 x 1"
53	04132-01	2	Threaded Insert, 3/8-16

* Not available through Scag Power Equipment. Purchase locally.

48, 52 & 61 ELECTRICAL SYSTEM



48, 52 & 61 ELECTRICAL SYSTEM

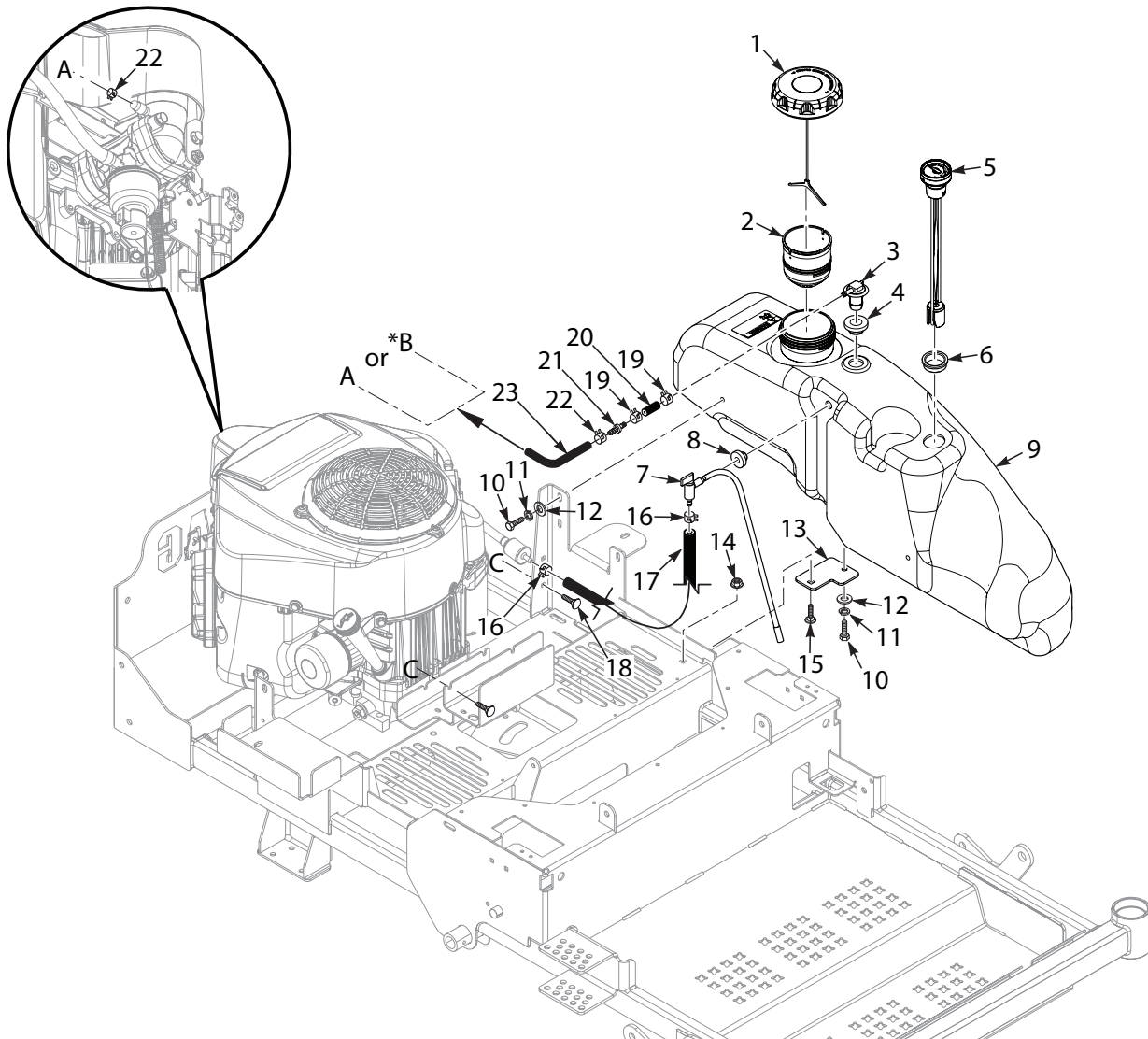
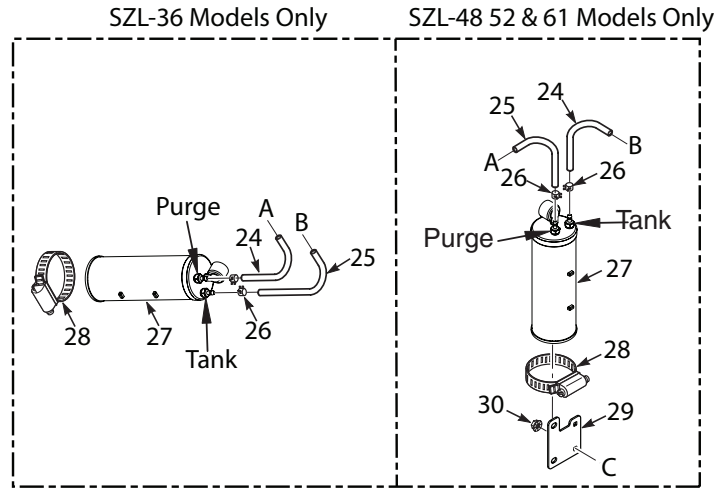
	Part No.	Qty	Description
1	04001-44	5	Bolt, Hex Head 1/4-20 x 1/2"
2	04020-02	2	Nut, 1/4-20 UNC
3	48029-29	1	Cable, Battery - 18" Red
4	04002-06	1	Screw, M8-1.25 X 16 Shakeproof
5	48029-14	1	Cable, Battery - 31-1/2" Black
6	*485212	1	Battery, 12v - 230CCA
7	48126	4	Rubber Boot
8	485506	1	Pad, Battery - Rubber
9	485505	2	Pad, Battery - Rubber
10	04011-14	2	Screw, 1/4-20 x 3/4" Shakeproof
11	483278	1	Solenoid, Sealed
12	04001-08	3	Bolt, Hex Head 5/16-18 x 3/4"
13	04030-03	3	Lockwasher, 5/16"
14	04040-15	3	Flatwasher, 5/16-.375 x .875 x .083
15	428184	1	Battery Hold Down
16	04017-15	2	Bolt, Hex Head 5/16-18 x 1/2" Serrated Flange
17	04117-01	4	Nut, 5/16-18 Elastic Stop
18	486518	1	Wire Harness
19	04003-12	5	Bolt, Carriage 5/16-18 x 3/4"
20	483474	1	Switch, Double Pole - Twist
21	04001-32	4	Bolt, Hex Head 3/8-16 x 1-1/4"
22	483629	2	Fuse Holder
23	427961	1	Plate, Anti-Rotation
24	462715	1	Clutch, GT1
25	04041-28	1	Flatwasher, 7/16-.496 x 1.75 x .25
26	04030-05	1	Lockwasher, 7/16"
27	04102-12	1	Bolt, Hex Head 7/16-20 x 3/4" w/Patch
28	485956	1	Pulley, 4-1/2" Dia. - 1" Bore
29	04063-01	1	Key, 1/4 x 1/4 x 1-1/4"
30	483958	1	Diode (part of wire harness)

	Part No.	Qty	Description
31	04117-03	4	Nut, 1/4-20 Flange Elastic Stop
32	426727	2	Bracket, Switch
33	483473	3	Switch, Double Pole - Plunger
34	04003-02	4	Bolt, Carriage 1/4-20 x 3/4"
35	04003-04	1	Bolt, Carriage 5/16-181 x 1"
36	04019-03	1	Nut, 5/16-18 Serrated Flange
37	428185	1	Mounting Bracket, Fuel Tank Front
38	04031-03	1	Lockwasher, 5/16" Ext.
39	04041-38	1	Flatwasher, 3/8-.406 x 2.25 x .188
40	463191	1	Console Tank, SZL
41	483472	1	Ignition Switch
42	462069	1	Key Fob Assembly
	483609	1	Key w/Shroud Only
43	485216	1	Hourmeter
44	485833	1	Switch, PTO Sealed
45	483645	1	Throttle Cable
46	04021-26	2	Nut, #10-24 Elastic Stop
47	04003-43	2	Bolt, Carriage #10-24 x 1/2"
48	483646	1	Choke Control
49	483529	1	Wire Harness Adapter, Kawasaki Only
50	04030-02	3	Lockwasher, 1/4"
51	04040-14	3	Flatwasher, 1/4-.312 x .750 x .065
52	462793	1	Instrument Panel w/Decal
53	04024-03	2	Nut, 5/16 Push-On
54	483642	1	Double Fuse Assembly (incl. 22, 55, 56, 57)
55	482588	2	Clip, Wire
56	483571	1	Cover, Double
57	48298	2	Fuse, 20 Amp
58	48029-29	1	Cable, Battery - 18" Red (48 / 52)
	48029-13	1	Cable, Battery - 25" Red (61)
59	04021-10	1	Nut, 5/16-18 Elastic Stop
60	04030-04	4	Washer, Lock 3/8 Spring
	04031-03	1	Washer, Lock 5/16 Ext Tooth (ground)

* Not available through Scag Power Equipment. Purchase locally.

FUEL SYSTEM

*For California Only



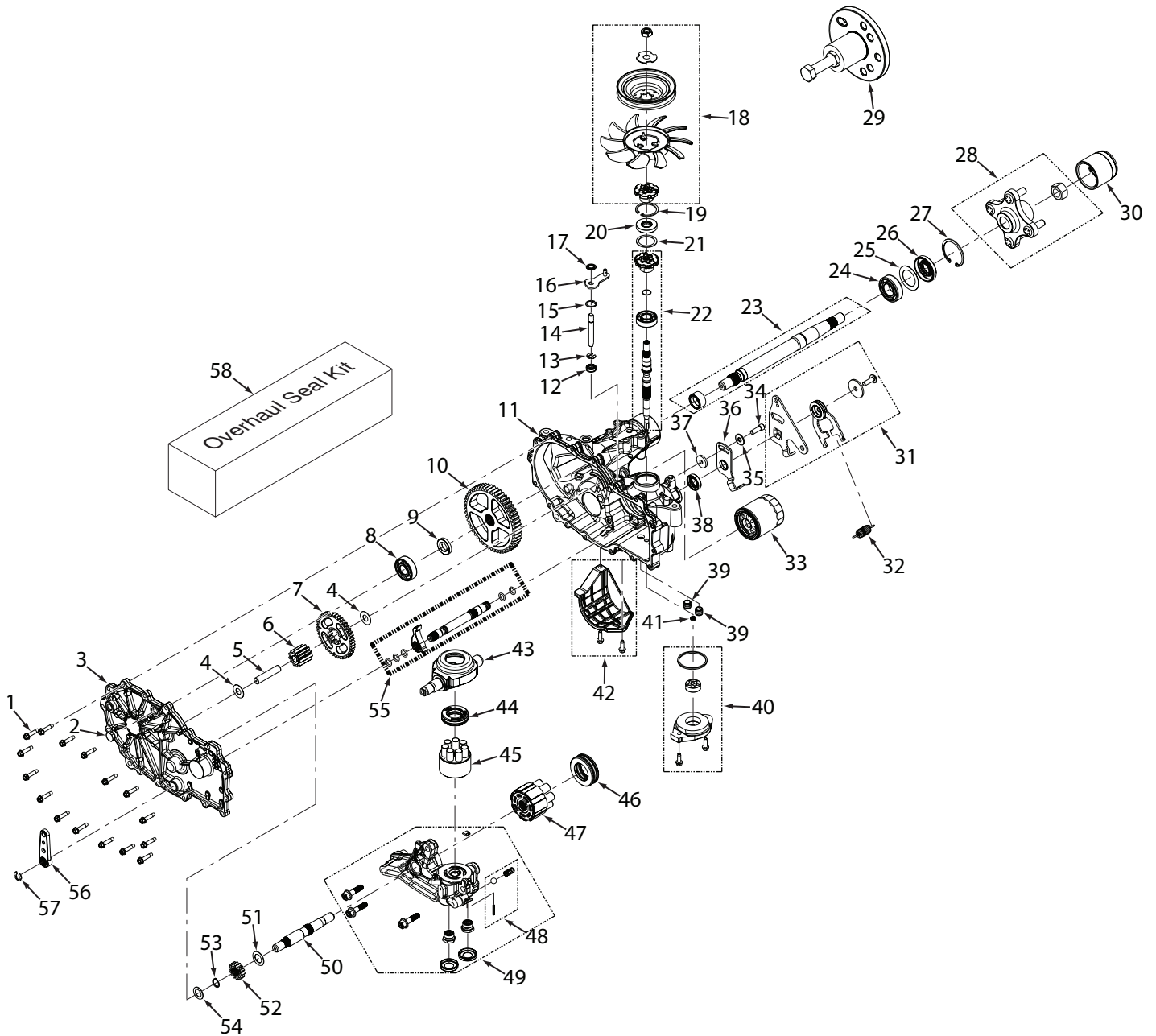
FUEL SYSTEM

Ref. No.	Part No.	Qty	Description
1	484286	1	Fuel Cap
	*484297	1	Fuel Cap, C.A.R.B.
2	484279-03	1	Fuel Neck Insert
3	484333	1	Remote Vent, No Valve
4	484285	1	Grommet, Kelch
5	485393	1	Fuel Gauge (requires #6)
6	485394	1	Grommet, Fuel Gauge
7	485391	1	Valve, Fuel Shut Off
8	482571	1	Bushing, .56 Dia. Viton
9	463188	1	Fuel Tank Assembly (incl. 1, 2, 3, 4, 5, 6, 7, 8) SZL-36
	463190	1	Fuel Tank Assembly (incl. 3, 4, 5, 6, 7, 8) SZL-48, 52 & 61
10	04001-08	4	Bolt, Hex Head 5/16-18 x 3/4"
11	04030-03	4	Lockwasher, 5/16"
12	04040-15	4	Flatwasher, 5/16-.375 x .875 x .083
13	**428185	1	Mounting Bracket, Fuel Tanks Front
14	**04019-03	1	Nut, 5/16-18 Serrated Flange
15	**04003-12	1	Bolt, Carriage 5/16-18 x 3/4"
16	48059-01	2	Clamp, Fuel Hose 1/4"
17	483617	-	Hose, Non-perm Fuel - 1/4" Dia. (order by inch)
18	04003-02	2	Bolt, Carriage 1/4-20 x 3/4"
19	48059-02	2	Clamp, Fuel Hose 7/32" ID
20	484347	2	Hose, 1/4" Vapor Return (order by inch)
21	484343-01	1	Mender, 1/4 x 3/16 w/.02 Hole
22	48059-05	2	Clamp, Vapor Hose -3/16"
23	484345	-	Hose, Vapor (order by inch)
*24	484345	-	Hose, Vapor (order by inch)
*25	484345	-	Hose, Vapor (order by inch)
*26	48059-05	2	Clamp, Vapor Hose - 3/16"
*27	484287	1	Carbon Canister, 400cc
	484366	1	Dust Filter (not shown. Incl. with #27)
*28	48136-17	17	Clamp, 3-1/2" Max. Dia.
*29	**426326	1	Bracket, Canister Mount
*30	04019-02	1	Nut, 1/4-20 Serrated Flange

* California Only

** Excludes SZL-36

LIBERTY TRANSAXLE (ZT-2800 36")



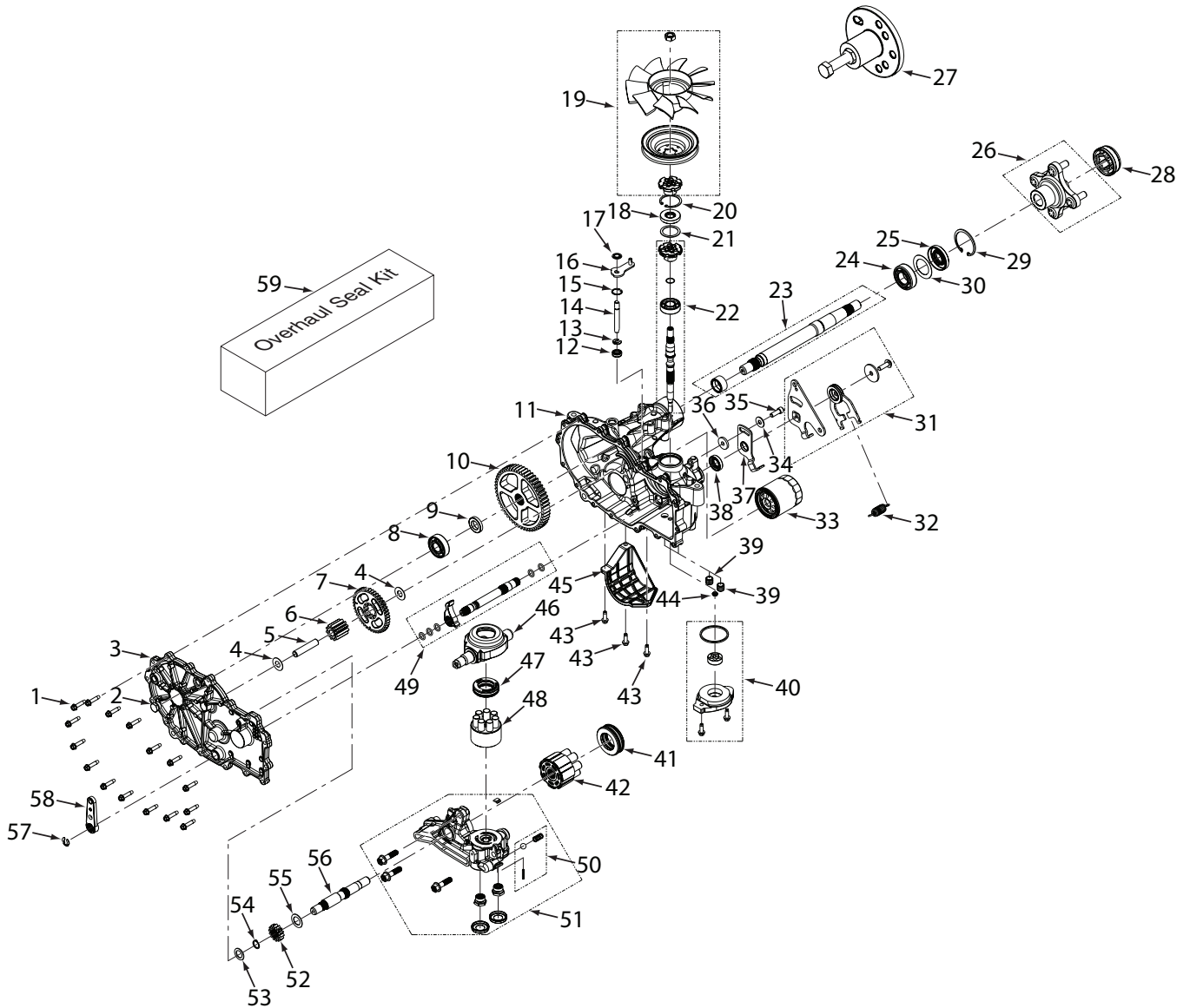
LIBERTY TRANSAXLE (ZT-2800 36")

Ref. No.	Part No.	Description
1	HG53246	Screw, Hex Washer
2	HG54730	Plug, External Hex Vent 9/16-18
3	HG71574	Kit, Side Cover LH
	HG71572	Kit, Side Cover RH
4	HG50132	Washer, Flat, .51 x 1 x .03
5	HG51083	Pin, Jackshaft
6	HG52583	Gear, 11T
7	HG52110	Gear, 45T
8	HG72749	Kit, Bearing
9	HG53336	Spacer, .75 x 1.32 x .257
10	HG52108	Gear, 54T
11	HG71421	Kit, Main Housing LH, Charge, Control
	HG71413	Kit, Main Housing RH, Charge, Control
12	HG55232	Seal, Lip, .375 x .75 x .25
13	HG51628	Ring, Retaining External .375
14	HG52136	Rod, Bypass .375 x 2.88
15	HG51627	Ring, Retaining .75, Internal
16	HG52370	Arm, Bypass (LH)
	HG51910	Arm, Bypass (RH)
17	HG51630	Ring, Retaining .375, External
18	HG72979	Kit, Fan/Pulley
19	HG50329	Ring, Retaining Internal
20	HG51161	Seal, Lip, 17 x 40 x 7
21	HG50951	Washer, Flat, 1.23 x 1.57 x .04
22	HG73047	Kit, Input Shaft
23	HG71569	Kit, Shaft Axle
24	HG53656	Bearing, 25.4 x 52 x 15 Ball (6205R)
25	HG53514	Washer, Flat, 1.355 x 2.035 x .021
26	HG53699	Seal, Lip, TC4, 1 x 2.06 x .38
27	HG50859	Ring, Retaining 2.25 Internal
28	HG71446	Kit, Hub 4 Bolt
29	HG72320	Kit, Hub Puller
30	HG53501	Cap, Axle
31	HG71598	Kit, RTN Bidirectional (LH)
	HG71595	Kit, RTN Bidirectional (RH)
32	HG51605	Spring, Extension
33	HG52114	Filter, Spin-on 2.6 x 3
34	HG51616	Bolt, 5/16-24 x 7/8 (w/patch)
35	HG44130	Washer, Flat .34 x .88 x .06
36	HG51946	Arm, Return Left (LH)
	HG51945	Arm, Neutral Right (RH)
37	HG54315	Spacer, .32 ID x 1.005 OD x .1495 THK
38	HG51140	Seal, Lip 18 x 32 x 7
39	HG54501	Tube, Charge Triple O-Ring
40	HG72274	Kit, Charge
41	HG72291	Kit, Gerotor Seal

Ref. No.	Part No.	Description
42	HG71854	Kit, Filter Guard (LH)
	HG73041	Kit, Filter Guard (RH)
43	HG51048	Swashplate, Trunnion
44	HG50551	Bearing, Thrust 30 x 52 x 13
45	HG70723	Kit, Block 7 Piston
46	HG51462	Bearing, Thrust 35 x 62 x 18
47	HG72882	Kit, 16cc Cylinder Block Assembly
48	HG71436	Kit, Charge Relief
49	HG72515	Kit, Center Section, LH Charge
	HG72516	Kit, Center Section, RH Charge
50	HG52150	Shaft, Motor
51	HG51069	Washer, Flat, .71 x 1.16 x .04
52	HG52109	Gear, 14T
53	HG44145	Ring, Retaining, Motor Shaft
54	HG44371	Washer, Flat, .63 x 1 x .05
55	HG72756	Kit, Inboard, RH Rot B / LH Rot A (LH)
	HG72755	Kit, Inboard, RH Rot A / LH Rot B (RH)
56	HG53973	Handle, Actuating
57	HG53019	Ring, Retaining - External .438
58	HG72994	Kit, Seal (ZT-2800) (INCL. 12,13,14,15,17,19,20,38,39,41,53,57)
59	*HG50928	Tube, Sealant

* Item not shown

LIBERTY TRANSAXLE (ZT-2800 48/52")



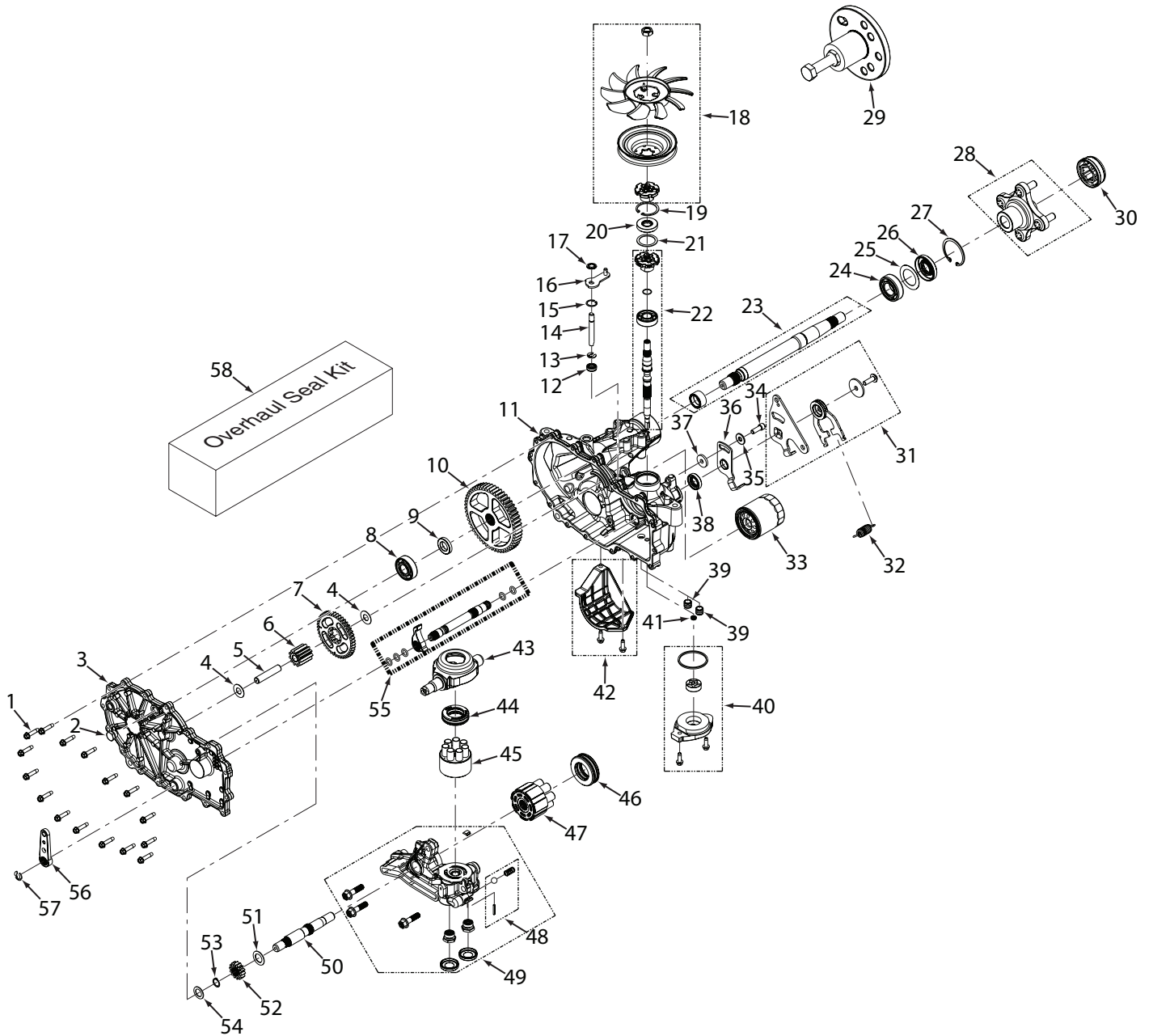
LIBERTY TRANSAXLE (ZT-2800 48/52")

Ref. No.	Part No.	Description
1	HG53246	Screw, Hex Washer
2	HG54730	Plug, External Hex Vent 9/16-18
3	HG71574	Kit, Side Cover LH
	HG71572	Kit, Side Cover RH
4	HG50132	Washer, Flat, .51 x 1 x .03
5	HG51083	Pin, Jackshaft
6	HG52583	Gear, 11T
7	HG52110	Gear, 45T
8	HG72749	Kit, Bearing
9	HG53336	Spacer, .75 x 1.320 x .257
10	HG52108	Gear, 54T
11	HG71421	Kit, Main Housing LH, Charge, Control
	HG71413	Kit, Main Housing RH, Charge, Control
12	HG55232	Seal, Lip .375 x .75 x .25
13	HG51628	Ring, Retaining External .375
14	HG52136	Rod, Bypass .375 x 2.88
15	HG51627	Ring, Retaining .750, Internal
16	HG52370	Arm, Bypass LH
	HG51910	Arm, Bypass RH
17	HG51630	Ring, Retaining .375 External
18	HG51161	Seal, Lip 17 x 40 x 7
19	HG72972	Kit, Fan/Pulley
20	HG50329	Ring Retaining Internal
21	HG50951	Washer, Flat, 1.23 x 1.57 x .04
22	HG73047	Kit, Input Shaft
23	HG71569	Kit, Shaft Axle
24	HG53656	Bearing, 25.4 x 52 x 15 Ball (6205R)
25	HG53699	Seal, Lip, TC4, 1 x 2.06 x .38
26	HG71405	Kit, Hub, 4 Bolt
27	HG72320	Kit, Hub Puller
28	HG53088	Cap, axle
29	HG50859	Ring, Retaining 2.25 Internal
30	HG53514	Washer, Flat, 1.355 x 2.035 x .21
31	HG71598	Kit, Rtn Bidirectional LH
	HG71595	Kit, Rtn Bidirectional RH
32	HG51605	Spring, Extension
33	HG52114	Filter, Spin-on 2.6 x 3
34	HG44130	Washer Flat, .34 x .88 x .06
35	HG51616	SHCS, 5/16-24 x 7/8 (w/ patch)
36	HG54315	Spacer, .320 ID x 1.005 OD x .1495 Thk
37	HG51946	Arm, Return Left (LH)
	HG51945	Arm, Return Right (RH)
38	HG51140	Seal, Lip 18 x 32 x 7
39	HG54501	Tube, Charge Triple O-ring
40	HG72274	Kit, Charge
41	HG51462	Bearing, Thrust 35 x 62 x 18

Ref. No.	Part No.	Description
42	HG72882	Kit, 16cc Cylinder Block Assembly
43	HG50752	Screw, Hex Washer 1/4-20 x .75
44	HG72291	Kit, Gerotor Seal
45	HG53644	Guard, Filter, LH
	HG53655	Guard, Filter, RH
46	HG51048	Swashplate, Trunnion
47	HG50551	Bearing, Thrust 30 x 52 x 13
48	HG70723	Kit, Block 7 Piston
49	HG72756	Kit, Inboard, RH Rot B / LH Rot A (LH)
	HG72755	Kit, Inboard, RH Rot A / LH Rot B (RH)
50	HG71436	Kit, Charge Relief
51	HG72515	Kit, Center Section, LH Charge
	HG72516	Kit, Center Section, RH Charge
52	HG52109	Gear, 14T
53	HG44371	Washer, Flat, .63 x 1 x .5
54	HG44145	Retaining Ring, Motor Shaft
55	HG51069	Washer, Flat, .71 x 1.16 x .04
56	HG52150	Shaft, Motor
57	HG53019	Ring, Retaining - External .438
58	HG53973	Handle, Actuating
59	HG72994	Kit, Seal (ZT-2800) (INCL.12,13,15,17,18,20,38,39,44,54,57)
60	*HG50928	Tube, Sealant

* Item not shown

LIBERTY TRANSAXLE (ZT-2800 61")



LIBERTY TRANSAXLE (ZT-2800 61")

Ref. No.	Part No.	Description
1	HG53246	Screw, Hex Washer
2	HG54730	Plug, External Hex Vent 9/16-18
3	HG71574	Kit, Side Cover LH
	HG71572	Kit, Side Cover RH
4	HG50132	Washer, Flat, .51 x 1 x .03
5	HG51083	Pin, Jackshaft
6	HG52586	Gear, 11T (Steel)
7	HG52110	Gear, 45T
8	HG72749	Kit, Bearing
9	HG53336	Spacer, .75 x 1.32 x .257
10	HG52108	Gear, 54T
11	HG71421	Kit, Main Housing LH, Charge, Control
	HG71413	Kit, Main Housing RH, Charge, Control
12	HG55232	Seal, Lip, .375 x .75 x .25
13	HG51628	Ring, Retaining External .375
14	HG52136	Rod, Bypass .375 x 2.88
15	HG51627	Ring, Retaining .75, Internal
16	HG52370	Arm, Bypass (LH)
	HG51910	Arm, Bypass (RH)
17	HG51630	Ring, Retaining .375, External
18	HG72972	Kit, Fan/Pulley
19	HG50329	Ring, Retaining Internal
20	HG51161	Seal, Lip, 17 x 40 x 7
21	HG50951	Washer, Flat, 1.23 x 1.57 x .04
22	HG73047	Kit, Input Shaft
23	HG71569	Kit, Shaft Axle
24	HG53656	Bearing, 25.4 x 52 x 15 Ball (6205R)
25	HG53514	Washer, Flat, 1.355 x 2.035 x .021
26	HG53699	Seal, Lip, TC4, 1 x 2.06 x .38
27	HG50859	Ring, Retaining 2.25 Internal
28	HG71405	Kit, Hub 4 Bolt
29	HG72320	Kit, Hub Puller
30	HG53088	Cap, Axle
31	HG71598	Kit, RTN Bidirectional (LH)
	HG71595	Kit, RTN Bidirectional (RH)
32	HG51605	Spring, Extension
33	HG52114	Filter, Spin-on 2.6 x 3
34	HG51616	Bolt, 5/16-24 x 7/8 (w/patch)
35	HG44130	Washer, Flat .34 x .88 x .06
36	HG51946	Arm, Return Left (LH)
	HG51945	Arm, Neutral Right (RH)
37	HG54315	Spacer, .32 ID x 1.005 OD x .1495 THK
38	HG51140	Seal, Lip 18 x 32 x 7
39	HG54501	Tube, Charge Triple O-Ring
40	HG72274	Kit, Charge
41	HG72291	Kit, Gerotor Seal

Ref. No.	Part No.	Description
42	HG71854	Kit, Filter Guard (LH)
	HG73041	Kit, Filter Guard (RH)
43	HG51048	Swashplate, Trunnion
44	HG50551	Bearing, Thrust 30 x 52 x 13
45	HG70723	Kit, Block 7 Piston
46	HG51462	Bearing, Thrust 35 x 62 x 18
47	HG72882	Kit, 16cc Cylinder Block Assembly
48	HG71436	Kit, Charge Relief
49	HG71566	Kit, Center Section, LH Charge
	HG71565	Kit, Center Section, RH Charge
50	HG52150	Shaft, Motor
51	HG51069	Washer, Flat, .71 x 1.16 x .04
52	HG52341	Gear, 14T (Steel)
53	HG44145	Ring, Retaining, Motor Shaft
54	HG44371	Washer, Flat, .63 x 1 x .05
55	HG72756	Kit, Inboard, RH Rot B / LH Rot A (LH)
	HG72755	Kit, Inboard, RH Rot A / LH Rot B (RH)
56	HG53973	Handle, Actuating
57	HG53019	Ring, Retaining - External .438
58	HG72994	Kit, Seal (ZT-2800) (INCL. 12,13,14,15,17,19,20,38,39,41,53,57)
59	*HG50928	Tube, Sealant

* Item not shown

REPLACEMENT DECALS AND INFORMATION PLATES

WARNING
 INSTALL BELT COVER BEFORE OPERATING MACHINE
 READ OPERATOR'S MANUAL 483402

WARNING
 DO NOT OPERATE WITHOUT DISCHARGE CHUTE, MULCHING KIT, OR ENTIRE GRASS CATCHER INSTALLED 463405

CUTTING HEIGHT

486492

DANGER
 SPINNING BLADES
 KEEP CLEAR
 BLADE CONTACT & THROWN OBJECTS CAN INJURE
 483505

FORWARD
F
REVERSE
R

WARNING
 ROTATING BLADES AND BELTS
 • Keep hands, feet & clothing clear
 • Keep all guards in place
 • Shut off engine & disengage blade clutch before servicing
 • Use caution in directing discharge
 • Read instruction manual before operating
DO NOT OPERATE UNLESS GRASS CATCHER, MULCHING KIT OR DISCHARGE CHUTE IS INSTALLED

IMPORTANT ADJUSTMENT PROCEDURES
 READ OPERATOR'S MANUAL FOR MORE DETAILS

Check tire pressure - Drive tires - 8 psi
 - Caster tires-25 psi

FREE WHEEL OPERATION
 To move machine without running engine, pull both dump valve bars back and over to latch. Pull bars over and push forward to re-engage wheels for normal operation.

TRACKING ADJUSTMENT
 If machine pulls to right, adjust LH control stop bolt CW (inward) to slow left wheel down. If machine pulls to left, adjust RH control stop bolt CW (inward) to slow right wheel down.

HYDRAULIC FLUID LEVEL
 Check hydraulic fluid level while fluid is cool. Fluid level should be up to "FULL COLD" line, with 20W50 motor oil only.

IMPORTANT
 Do not overfill. Room for hot fluid expansion must be allowed or resulting expansion may cause leaks in the system.

Replacement Parts Numbers LIBERTY Z
 Always use original Scag replacement parts for top machine performance and to maintain factory warranty.

Belt, Transmission (R1)	485608
Belt, Transmission (H1-R2)	485349
Belt, Cutter Deck (R1)	485605
Belt, Cutter Deck (R2)	485350
Belt, Cutter Deck (R2)	485624
Standard Blade, Cutter (R1)	482876
Standard Blade, Cutter (R2)	482877
Standard Blade, Cutter (R2)	482878
Filter, Hydraulic	485204

See your authorized Scag dealer for engine part numbers

Seat Mounting

P/N 486151

48

SCAG
 FAST
 SLOW
 PULL OUT TO ENGAGE
 PUSH IN TO DISENGAGE
MOWER DECK



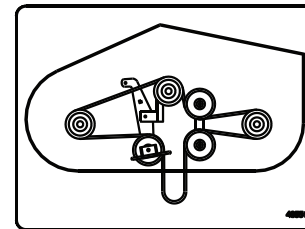
START/DRIVE PROCEDURE

- Engage parking brake
- Disengage mower deck drive
- Move control handles to neutral lock position
- Start engine
- Release parking brake
- Select forward or reverse with hydro control handles

WARNING

AVOID SERIOUS INJURY OR DEATH

- Read the Operator's Manual
- Adjust the seat as explained in distributor's bag
- Operate only on slopes you can back up and over on slopes greater than 15 degrees
- If machine stops going uphill, stop blades and back down slowly
- Avoid sudden turns
- Do not mow when children or others are around
- Never carry children even with blades off
- Look down and behind before and while backing
- Keep safety devices (guards, shields, switches, etc.) in place and working
- Remove objects that could be thrown by the blades
- Trained operators only 485551



CUTTER DECK
UP
DOWN

486493

LIBERTY Z
 USA SCAG

REPLACEMENT DECALS AND INFORMATION PLATES

Ref. No.	Part No.	Qty	Description
1	483402	2	Decal, Belt Cover
2	483405	1	Decal, Warning
3	485551	1	Decal, Start/Drive
4	483505	2	Decal, Spinning Blades
5	482100	2	Decal, Traction Control
6	486492	1	Decal, Height of Cut
7	48316	1	Decal, 36
	48318	1	Decal, 48
	48319	1	Decal, 52
	48320	1	Decal, 61
8	483406	1	Decal, Knives
9	486151	1	Decal, Adjustments - SZL
10	485820	1	Decal, Instrument Panel - SZL (36)
	485387	1	Decal, Instrument Panel - SZL (48 52 & 61)
11	486517	2	Decal. Liberty Z - Fuel Tank
12	485821	1	Decal, Belt Routing - SZL (36)
	485516	1	Decal, Belt Routing - SZL(48 52& 61)
13	486493	1	Decal, Cutter Deck Lift Control
*	483900	1	Decal, Warning Spark Arrestor (California Only) - Not Shown
14	485403	1	Decal, USA

ELECTRICAL SCHEMATIC

