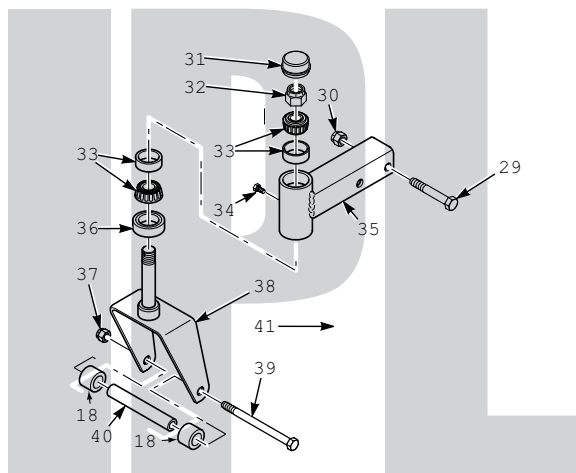


SCAG[®]

POWER EQUIPMENT



ILLUSTRATED PARTS MANUAL



SPRAYER/ SPREADER

Models: STS60XL-23BV

THIS MANUAL CONTAINS THE ILLUSTRATED PARTS LIST FOR MODELS:
STS60XL-23BV with a serial number of V9800001 to V9899999

Table of Contents

STS 60 SPRAYER BOOM ASSEMBLY.....	2
STS 60 SPRAYER SYSTEM	4
220# HOPPER ASSEMBLY.....	6
STS 60 SHEET METAL COMPONENTS	8
STEERING CONTROLS	10
STS 60 FUEL SYSTEM	12
STS 60 HYDRAULICS AND ENGINE COMPONENTS	14
ELECTRICAL SYSTEM.....	16
HYDRAULIC PUMP.....	18
SPRAYER PUMP	20
REPLACEMENT DECALS AND INFORMATION PLATES	22
STS ELECTRICAL SCHEMATIC	24

ILLUSTRATED PARTS LIST

7.1 SCAG APPROVED ATTACHMENTS AND ACCESSORIES.

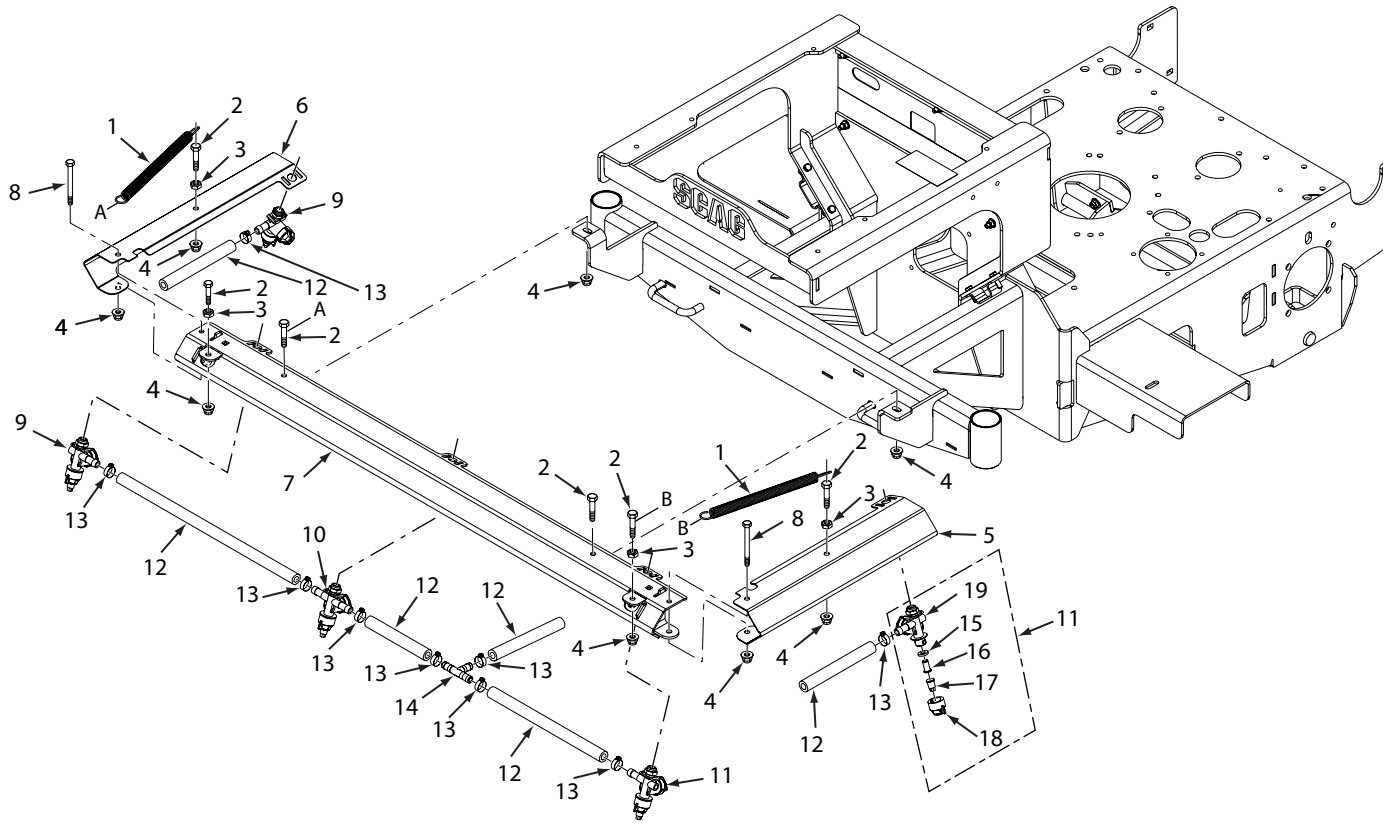
Attachments and accessories manufactured by companies other than Scag Power Equipment are not approved for use on this machine.

Scag approved attachments and accessories:

- STS Foamer Kit (p/n 9612)
- STS LED Light Kit (p/n 9613)
- STS 7 GPM Pump (9614)

NOTES

SPRAYER BOOM ASSEMBLY



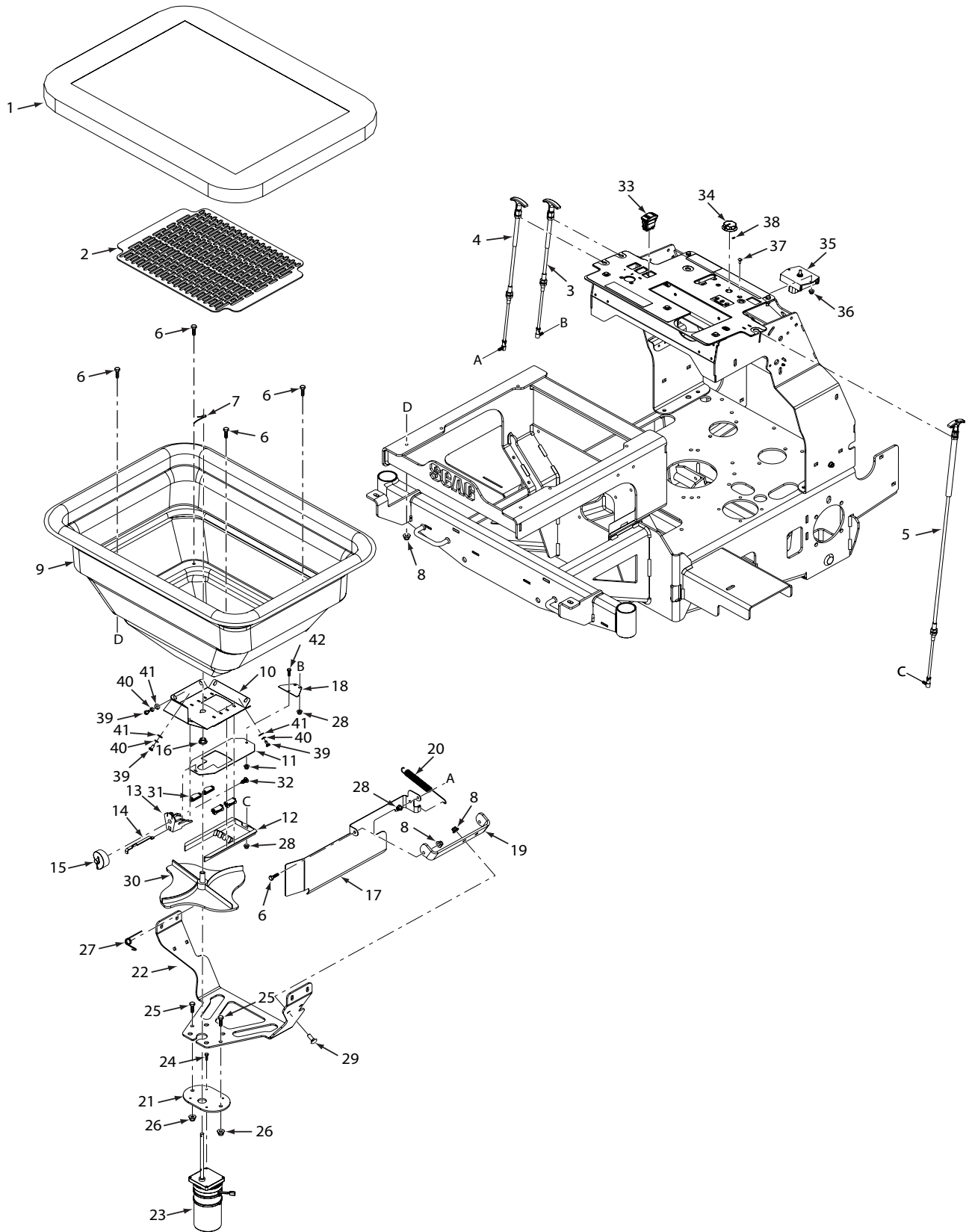
SPRAYER BOOM ASSEMBLY

Ref. No.	Part No.	Description
1	486150	Spring, Boom Arm
2	04201-30	Bolt, Hex Head 3/8 - 16 x 1.50 - Stainless Steel
3	04220-04	Nut, 3/8 - 16 - Stainless Steel
4	04317-03	Nut, Flange Elastic Stop 3/8 - 16 - Stainless Steel
5	428373	Boom, LH
6	428374	Boom, RH
7	453239	Boom, Main
8	04201-57	Bolt, Hex Head 3/8- 16 x 3.50 - Stainless Steel
9	463152	Nozzle Assembly, RH (incl. #15, #16, #17, #18, #19)
10	486699	Nozzle Assembly, Main (incl. #15, #16, #17, #18, #19)
11	463151	Nozzle Assembly, LH (incl. #15, #16, #17, #18, #19)
12	486190	Hose, 1/2" EPDM (order by the inch)
13	48136-05	Clamp, Hose
14	486082-03	Fitting, Tee 1/2" Hose Barb
15	486099	Washer, Rubber
16	486557	Nozzle, Strainer #50 Mesh
17	486100-01	Nozzle Tip
18	486098	Nozzle Cap
19	486096	Nozzle Body, Single LH (used in #11)
	486097	Nozzle Body, Single RH (used in #9)
	486700	Nozzle Body, Double Main (used in #10)

SPRAYER SYSTEM

Ref. No.	Part No.	Description
1	486606	Hose Reel Assy
2	486549	Valve, Ball 1/2" NPT
3	486084-03	Fitting, 90 Deg.1/2 - 14 NPT X 3/4" Hose
4	48136-04	Hose Clamp
5	486191	Hose, 3/4" EPDM (Order by the inch)
6	486552	Fitting, 3/4" O-ring
7	486090	Pump, 12V Electric
8	486083-07	Hose Barb, 1/2" NPT X 3/4" Hose
9	486185	Strainer Head
10	486187	Gasket
11	486186	Screen
12	486188	Bowl
13	486084-05	Fitting, 90 Deg. 3/4 - 14 NPT x 3/4" Hose
14	486081-03	Tee Fitting, 1/2 NPT
15	486083-09	Hose Barb, 3/4 NPT x 3/4" Hose
16	486112	Cap, Sprayer
17	463276	Tank Assy, RH
18	486453	Drain Plug, 3/4"
19	486088-02	Fitting, 3/4" NPT
20	463275	Tank Assy, LH
21	486556-01	Fitting, Street Elbow 90 Deg. 1/2"
22	486155	Fitting, Valve
23	486412	Pressure Gauge
24	463267	Valve Assy (Incl.
25	486395	Mounting Bracket, Valve Assy
26	04201-13	Bolt, 1/4 - 20 x 2.75 - Stainless Steel
27	04317-01	Locknut, 1/4 - 20 Flg. Elastic Stop - Stainless Steel
28	486190	Hose, 1/2" EPDM (Order by the inch)
29	486411	Fitting, 45 Degree 1/4 NPT
30	486905	Fitting, Valve
31	48136-13	Hose Clamp
32	486860	Sprayer Gun

220# HOPPER ASSEMBLY

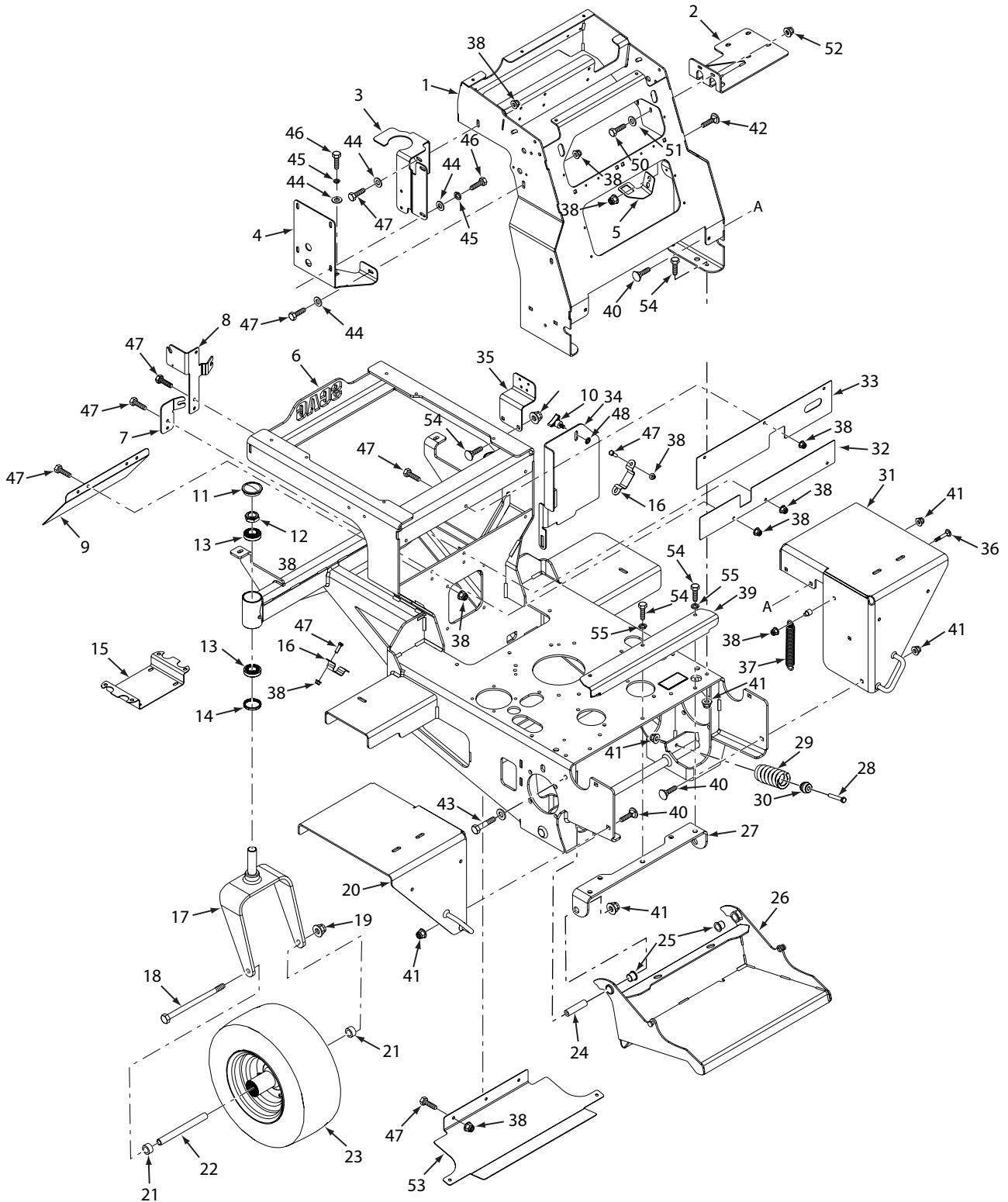


220# HOPPER ASSEMBLY

Ref. No.	Part No.	Description
1	486381	Cover, 220lb Hopper
2	427766	Grate, Spreader
3	486390	Cable, Hopper Gate
4	486439	Cable, Side Deflector
5	486544	Cable, Pattern Adjust
6	04201-17	Bolt, Hex 5/16" - .375 x 1.00- Stainless Steel
7	486375	Agitator
8	04317-02	Locknut, 5/16-18 Flg. Elastic Stop - Stainless Steel
9	463144	Hopper Assembly
10	486367	Mounting Plate, Spreader System
11	486368	Gate, Rear
12	486369	Diffuser
13	486370	Mount, Dial
14	486372	Linkage, Rate Gate
15	486373	Milled Dial
16	486374	Bearing, Hopper Bottom
17	427706	Guard Door, LH Hopper
18	428120	Door Arm
19	428368	Mounting Bracket, Deflector Door
20	486541	Spring, Door Assist
21	428367	Mounting Plate, Electric Motor
22	428040	Motor Mount Bracket
23	486440	Gear Motor, Electric
24	04201-01	Bolt, Hex #10-32 x .50 - Stainless Steel
25	04201-28	Bolt, Hex 3/8 - 16 x 1.00 - Stainless Steel
26	04317-03	Locknut, 3/8 - 16 Flg. Elastic Stop
27	486825	Spring, SS Clip
28	04221-09	Nut, 1/4-28 Elastic Stop - Stainless Steel
29	04203-17	Bolt, Carriage 5/16 - 18 x 1" - - Stainless Steel
30	486351	Impeller
31	486371	Guide, Rate Gate

Ref. No.	Part No.	Description
32	486372	Clip, Pine Tree
33	486389	Switch, Rocker
34	486833	Knob (Incl #38)
35	486455	Motor Controller
36	04221-01	Locknut, #10 - 32 Elastic Stop - Stainless Steel
37	04203-01	Bolt, Carriage #10 - 32 x .50 - Stainless Steel
38	04012-16	Set Screw, #8 - 32 x .375
39	04201-04	Bolt, Hex Head 1/4 - 20 x .50 - Stainless Steel
40	04230-02	Washer, Lock 1/4 Spring - Stainless Steel
41	04241-03	Washer, Flat 1/4-.281X.625X.080 - Stainless Steel
42	04201-02	Bolt, Hex Head #10 - 32 x 3/4" - Stainless Steel

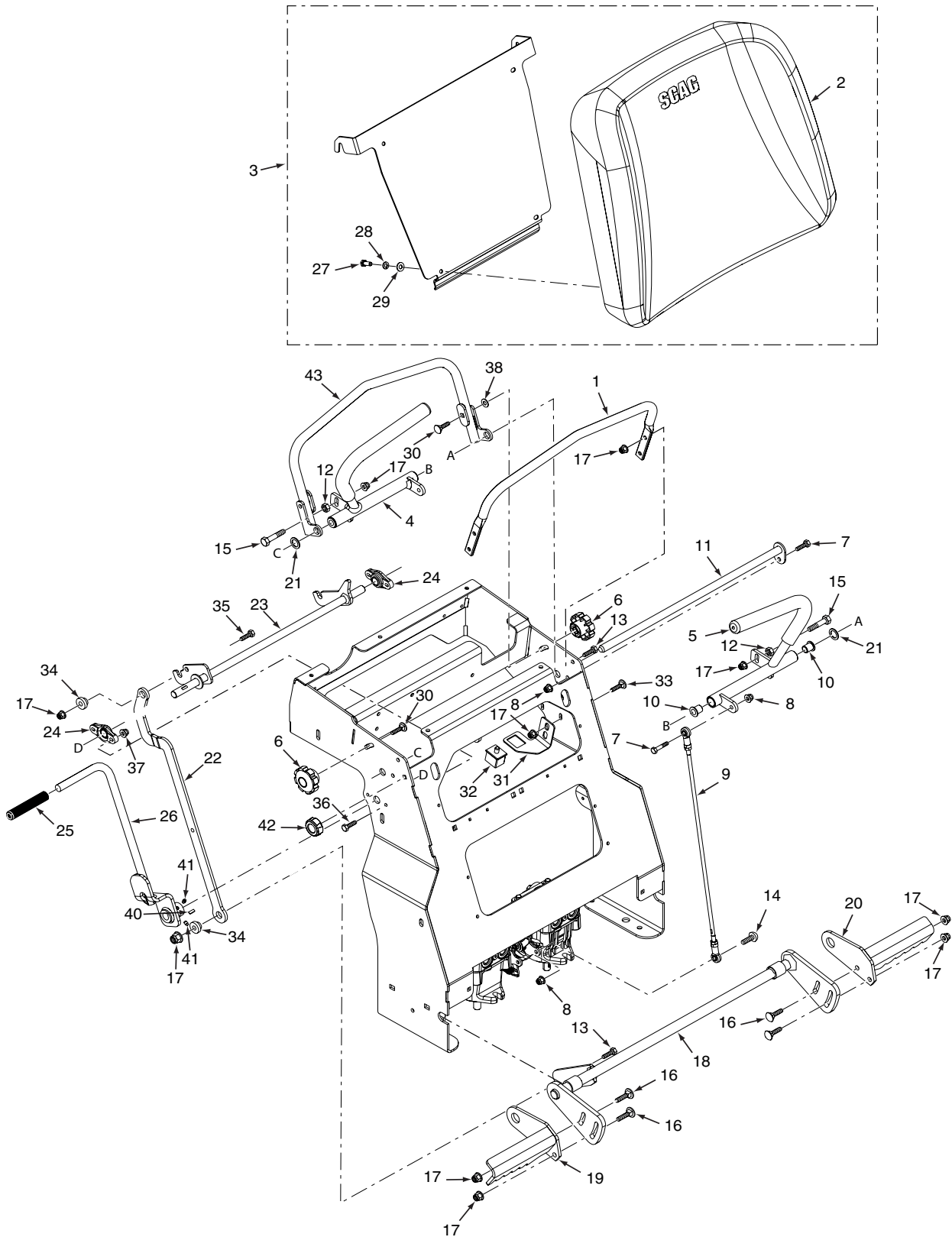
SHEET METAL COMPONENTS



SHEET METAL COMPONENTS

Ref. No.	Part No.	Description
1	453243	Handlebar Weldment
2	453115	Mounting Bracket, Hose Reel
3	428473	Mounting Bracket, Oil Reservoir
4	428290	Mounting Bracket, Fuel Tank
5	427908	Mounting Bracket, Brake Switch
6	463564	Mainframe Weldment, STS *(Includes #11, 12, 13, 17)
7	428119	Mounting Bracket, Door Cable
8	428107	Mounting Bracket, Cable
9	428586	Cover, Vent
10	486824	Knob, w/ Stud, 5/16 - 18
11	486340	Cap, Grease
	*487582	Cap, Grease
12	04021-20	Locknut, 1.0-14 Elastic Stop
	*04021-30	Locknut 1.25-12
13	48668	Bearing w/ Race
	*487546	Bearing w/ Race
14	481025	Seal
15	428211	Mounting Bracket, Foamer Accessory (optional)
16	428089	Bracket, Hose
17	453241	Caster Yoke Weldment
	*453408	Caster Yoke Weldment
18	04001-167	Bolt, Hex 1/2-13 x 9.50
19	04117-04	Locknut, 1/2 - 13 Flange
20	453237	Fender, LH
21	43584	Spacer, Caster Wheel
22	43583	Sleeve, Caster Wheel
23	486109	Caster Wheel Assembly, 16 x 6.50 - 8
	486416	Tire, 16 x 6.5-8 4 Ply
	486715	Rim Assy. w/Valve
24	431132	Spacer
25	483453-04	Bearing, Plastic
26	463354	Footplate Assembly (Incl. #25)
27	453036	Footplate Weldment
28	04201-33	Bolt, Hex Head 3/8-16 x 2-1/4" - Stainless Steel
29	486876	Spring, Footplate
30	43867	Spring Mount
31	453238	Fender, RH
32	428198	Guard, Rear Hopper Lower
33	428032	Guard, Rear Hopper Uppler
34	427761	Battery Door
35	428619	Mounting Bracket, Strainer
36	04203-20	Bolt, Carriage 5/16-18 x 1.75 - Stainless Steel
37	48755	Spring
38	04317-02	Locknut, 5/16 - 18 Fig. Elastic Stop
39	428588	Mounting Bracket, Operator Presence
40	04203-28	Bolt, Carriage 3/8-16 x 1.0 - Stainless Steel
41	04317-03	Locknut, 3/8 - 16 Fig. Elastic Stop - Stainless Steel
42	04203-17	Bolt, Carriage 5/16 -18 x 1.00 - Stainless Steel
43	04201-58	Bolt, Hex 3/8 - 16 x 4.00 - Stainless Steel
44	04241-02	Washer, Flat 5/16 -.375 x .875 x .0547/.104 - Stainless Steel
45	04230-03	Washer, Lock 5/16 Spring - Stainless Steel
46	04201-16	Bolt, Hex 5/16 - 18 x .75 - Stainless Steel
47	04201-17	Bolt, Hex 5/16 - 18 x 1.00 - Stainless Steel
48	04224-02	Nut, Push On - Stainless Steel
49	428617	Spring Bracke, Footplate
50	04201-06	Bolt, Hex 1/4 - 20 x 1.00
51	04317-01	Locknut, 1/4 - 20 Fig. - Stainless Steel
52	04241-03	Flat Washer 1/4-.281X.625X.080 - Stainless Steel
53	428548	Muffler Heat Shield
54	04201-30	Bolt, Hex Head 3/8-16 x 1-1/2" - Stainless Steel
55	04230-04	Lockwasher, 3/8-.377 x .680 x 094

STEERING CONTROLS

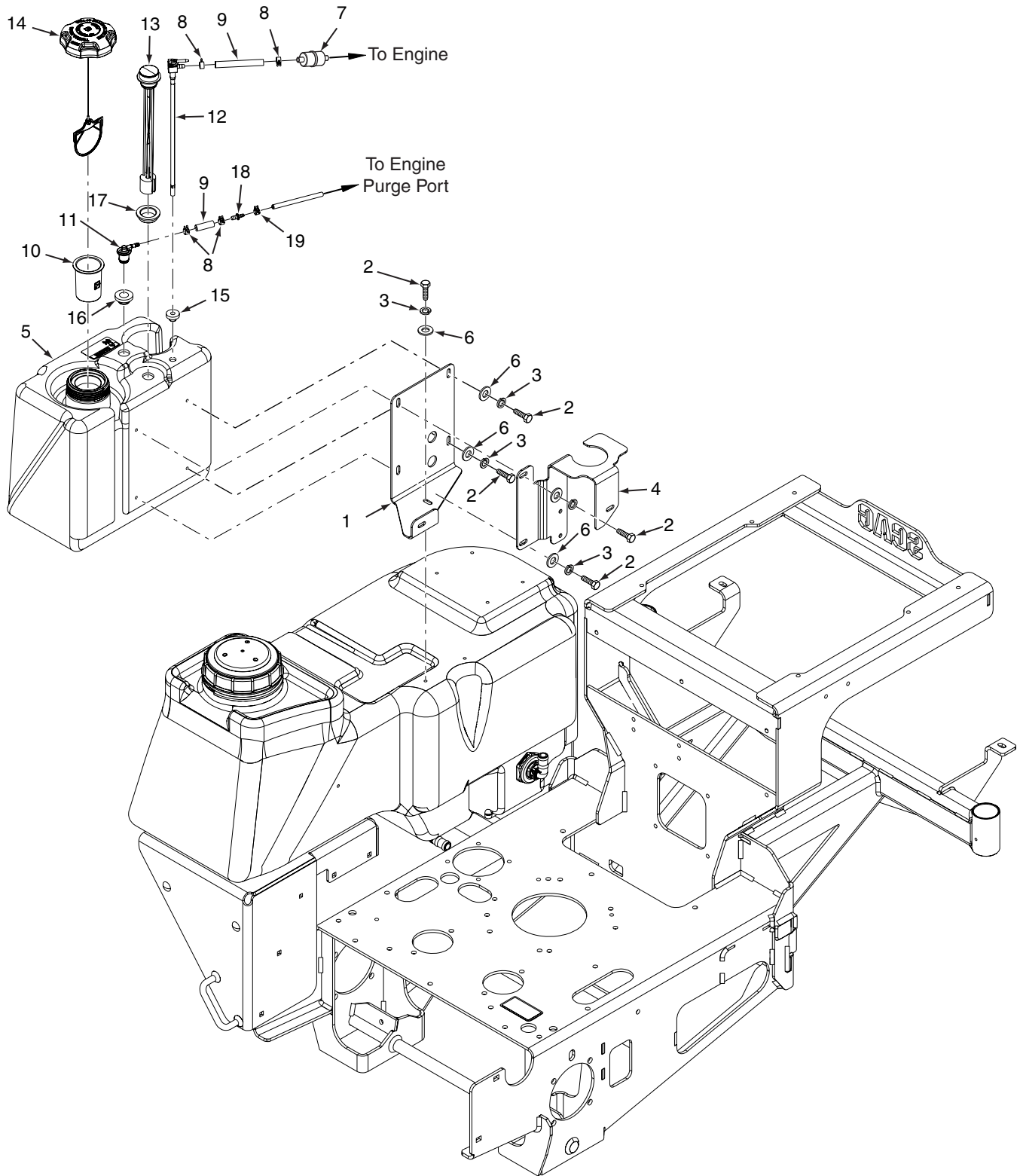


STEERING CONTROLS

Ref. No.	Part No.	Description
1	427189	Reference Bar
2	486476	Operator Pad
3	463155	Operator Pad Assy., w/Decal
4	463015	Handlebar Assembly, LH
5	463016	Handlebar Assembly, RH
6	481885-07	Knob, 5/16 - 18
7	04201-17	Bolt, Hex 5/16 - 18 x 1.00
8	04317-02	Locknut, 5/16 - 18 Flg. Elastic Stop
9	485842	Linkage Assy, Steering
10	483453-14	Bearing
11	452957	Shaft Weldment, Control Arm
12	04220-04	Nut, 3/8-16 - Stainless Steel
13	04201-30	Bolt, Hex 3/8 - 16 x 1.50 - Stainless Steel
14	04108-02	Cap Screw, 5/16 - 18 x 1.00
15	04201-31	Bolt, Hex 3/8 - 16 x 1.75 - Stainless Steel
16	04203-29	Bolt, Carriage 3/8 - 16 x 1.25 - Stainless Steel
17	04317-03	Locknut, 3/8 - 16 Flg. Elastic Stop - Stainless Steel
18	453047	Bellcrank Weldment, Brake
19	452841	Brake Paddle, LH
20	452842	Brake Paddle, RH
21	04241-07	Washer, Flat 5/8 - .687 x 1.00 x .078 - Stainless Steel
22	428529	Link, Brake Engage
23	452967	Lock Weldment, Neutral
24	483504	Bearing
25	48342	Grip, Parking Brake

Ref. No.	Part No.	Description
26	463021	Brake Lever Assembly (Incl. #25)
27	04201-16	Bolt, Hex 5/16 - 18 x .75 - Stainless Steel
28	04230-03	Washer, Lock 5/16 Spring - Stainless Steel
29	04240-02	Washer, Flat 5/16 - .349 x .750 x .050 - Stainless Steel
30	04203-17	Bolt, Carriage 5/16 - 18 x 1" - Stainless Steel
31	427908	Mounting Bracket, Brake Switch
32	483473	Switch, Double Pole Plunger
33	04203-28	Bolt, Carriage 3/8 - 16 x 1" - Stainless Steel
34	48100-30	Bushing
35	04208-01	Cap Screw, 3/8 - 16 x 1.25 Hex Socket - Stainless Steel
36	04201-07	Bolt, Hex 1/4 - 20 x 1.25 - Stainless Steel
37	04317-01	Locknut, 1/4 - 20 Flg. Elastic Stop - Stainless Steel
38	04241-06	Washer, Flat 5/16 - .349 x .750 x .050 - Stainless Steel
39	04224-02	Nut, Push On - Stainless Steel
40	04063-12	Key, Woodruff 3/16 x 5/8
41	04212-01	Set Screw, 1/4 - 20 x .25 - Stainless Steel
42	481885-06	Knob w/ Stud, 5/16 - 18
43	452960	Weldment, Reference Bar

FUEL SYSTEM



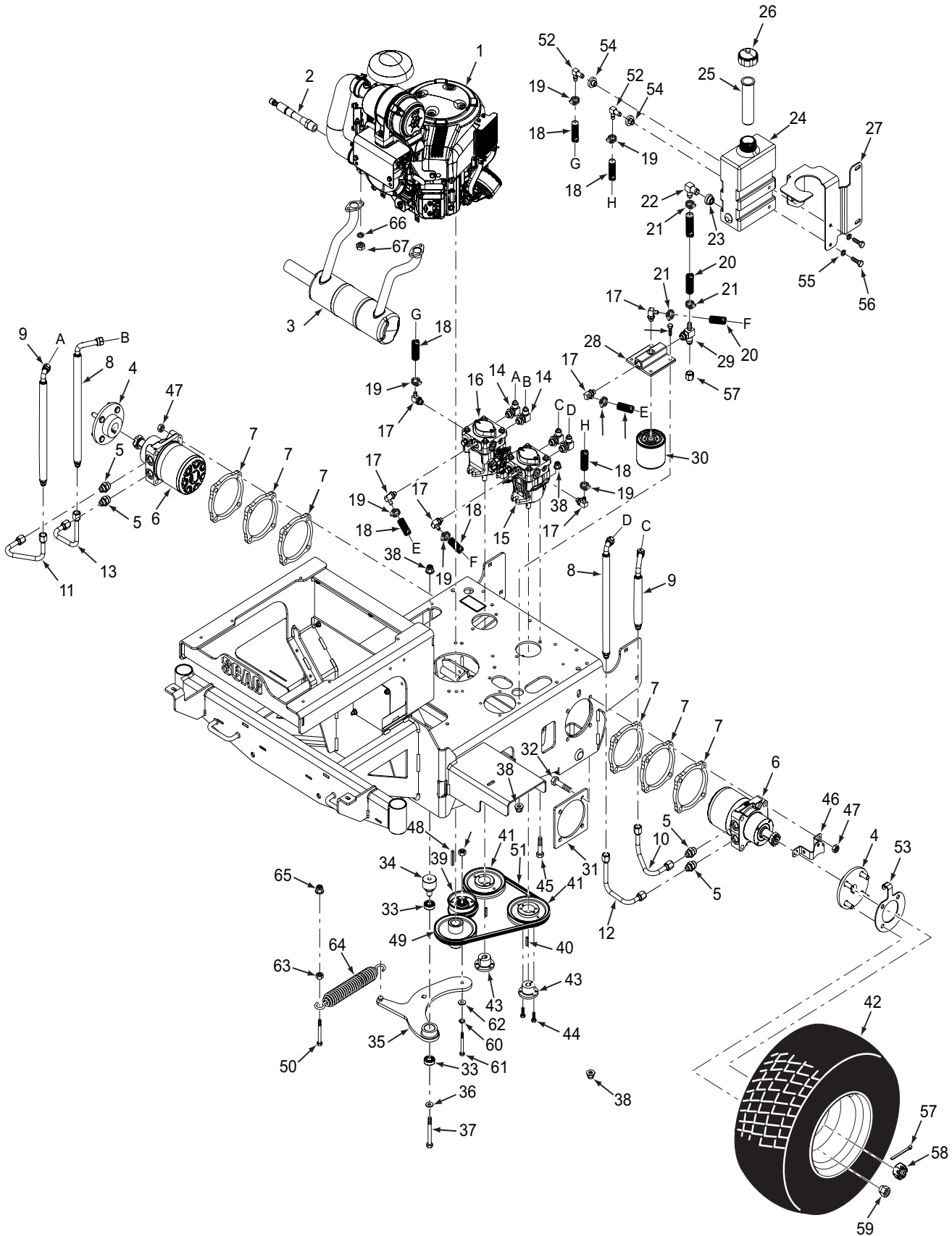
FUEL SYSTEM

Ref. No.	Part No.	Description
1	428290	Mounting Bracket, Fuel Tank
2	04201-16	Bolt, Hex Head 5/16 -16 x 3/4" - Stainless Steel
3	04030-03	Washer, Lock 5/16" - Stainless Steel
4	428473	Mounting Bracket, Oil Reservoir
5	463282	Fuel Tank Assy, (Incl. # 11,12,13,15,16)
6	04241-02	Washer, Flat 5/16" x .375 x .875 x .084 - Stainless Steel
7	*	Fuel Filter
8	48059-01	Clamp, Fuel Hose
9	484347	Hose, Vapor Recovery 1/4" (order by inch)
10	484279-03	Tube, Fuel Tank Insert
11	484333	Remote Vent w/ No Valve
12	486181	Valve, Fuel Shutoff w/ Pickup Line
13	484243	Fuel Gauge Assembly 11" (INCL. 17)
14	484286	Fuel Cap, Tethered

Ref. No.	Part No.	Description
15	482571	Bushing, 0.56 Viton
16	484285	Grommet, Kelch
17	484242	Seal, Fuel Gauge
18	484343-01	Mender, 1x4 x 3/16 w/.02 Hole
19	48059-05	Clamp, Fuel Hose 3/16" ID

* Order through Engine Manufacturer

HYDRAULICS AND ENGINE COMPONENTS



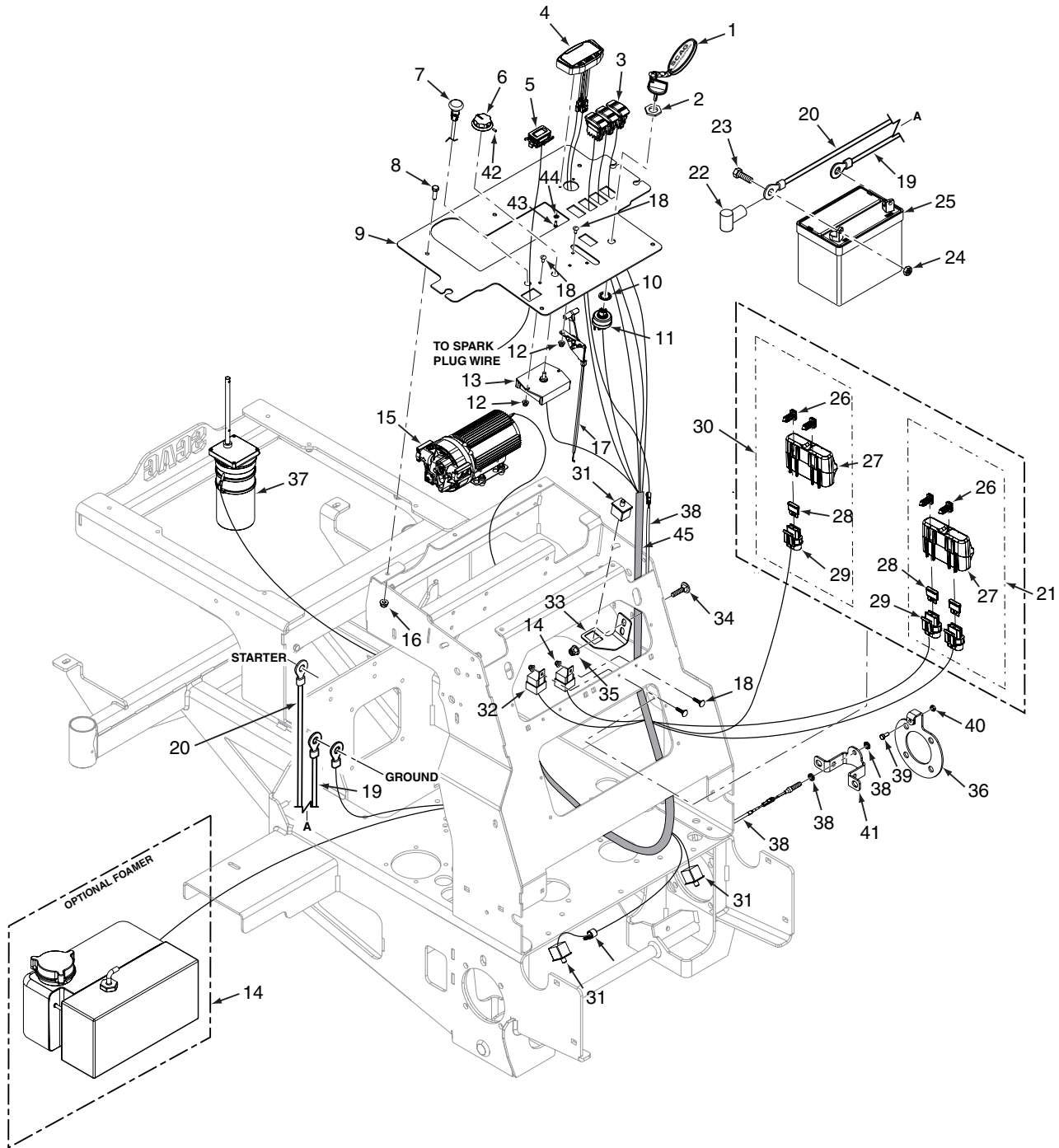
HYDRAULICS AND ENGINE COMPONENTS

Ref. No.	Part No.	Description
1	486471	Engine, 21 HP Briggs Vanguard
2	484610	Drain Hose Assy
3	486470	Muffler, 21 HP BV
4	462999	Wheel Hub Assy.
5	48572-02	Tube, Union 1/2 x 5/8
6	482639	Wheel Motor
7	428334	Spacer, Wheel Motor
8	486483	Hose Assy, 17.50"
9	486484	Hose Assy, 16.25
10	486654	Tube Assy, 1/2" LH Upper
11	486655	Tube Assy, 1/2" RH Upper
12	486656	Tube Assy, 1/2" LH Lower
13	486657	Tube Assy, 1/2" RH Lower
14	48350-02	Elbow, 90 Deg. - 1/2"
15	486444	Pump, LH
16	486445	Pump, RH
17	482266-01	Elbow, 9/16 O'ring - 3/8" Hose
18	48811	3/8" Pushlock Hose (Order by inch)
19	48136-13	Hose Clamp
20	48351	1/2" Pushlock Hose (Order by inch)
21	48136-05	Hose Clamp
22	482574	Fitting, 90 Deg. - 1/2" Hose
23	482573	Bushing, .78 Viton
24	463046	Hyd. Tank Assy (Incl.#
25	481507	Insert, Filler Neck
26	481164	Cap, Hydraulic Tank
27	428473	Mounting Bracket, Hyd. Tank
28	482417	Filter Head Assembly
29	482477	Tee Fitting, 3/4" O'ring x 1/2" JIC
30	48462-01	Oil Filter
31	423279	Wheel Motor Backing Plate
32	04001-194	Bolt, Hex 1/2" - 13 x 4.25"
33	48224	Bearing
34	43683	Idler Pivot
35	463355	Idler Arm Assembly (incl. #33)
36	04043-04	Washer, Flat 3/8 - .91 x .938 x 105 HD
37	04201-57	Bolt, Hex SS, 3/8" - 16 x 3.50"
38	04317-03	Locknut, 3/8" - 16 Flg. Elastic Stop
39	486045	Pulley, 3.50" Idler
40	04063-14	Key, 5.0 x 5.0 x 25MM
41	482649	Pulley, 5.45" OD Taper Bore
42	486399	Wheel Assembly, 20 x 12 - 10
43	482085	Tapered Hub
44	04001-172	Bolt, Hex 1/4" - 20 x 1.0" Gr. 8
45	04201-30	Bolt, Hex 3/8" - 16 x 1.50" - Stainless Steel
46	427828	Plate, Speed Sensor

Ref. No.	Part No.	Description
47	04021-19	Locknut, 1/2" - 13 Center Lock
48	04063-08	Key, 1/4" x 1/4" x 2.00
49	486567	Pulley 5.45 OD x 1.125 Bore
50	04201-33	Bolt, Hex 3/8" - 16 x 2.25. - Stainless Steel
51	486111	Belt, Pump Drive
52	482572	Fitting 90 Deg. - .38 Hose
53	428105	Plate, Hub Magnet Holder
54	482571	Bushing, .56 Viton
55	04201-16	Bolt, Hex 5/16" - 18 x .75 - Stainless Steel
56	04230-03	Lock Washer, 5/16" Spring - Stainless Steel
57	04061-06	Cotter Pin, 9/64 x 1.50
58	48680	Nut, Castle
59	04028-02	Nut, Wheel
60	04230-05	Lockwasher, 7/16-.440 x .776 x .109
61	04102-13	Bolt, Hex Head 7/16-20 x 1.25"
62	04041-28	Flatwasher, 7/16-.469 x 1.750 x 1/4"
63	04220-04	Nut, Hex Head 3/8-16
64	484754	Spring
65	04317-03	Nut, Elastic Flange 3/8-16

* Order through Engine Manufacturer

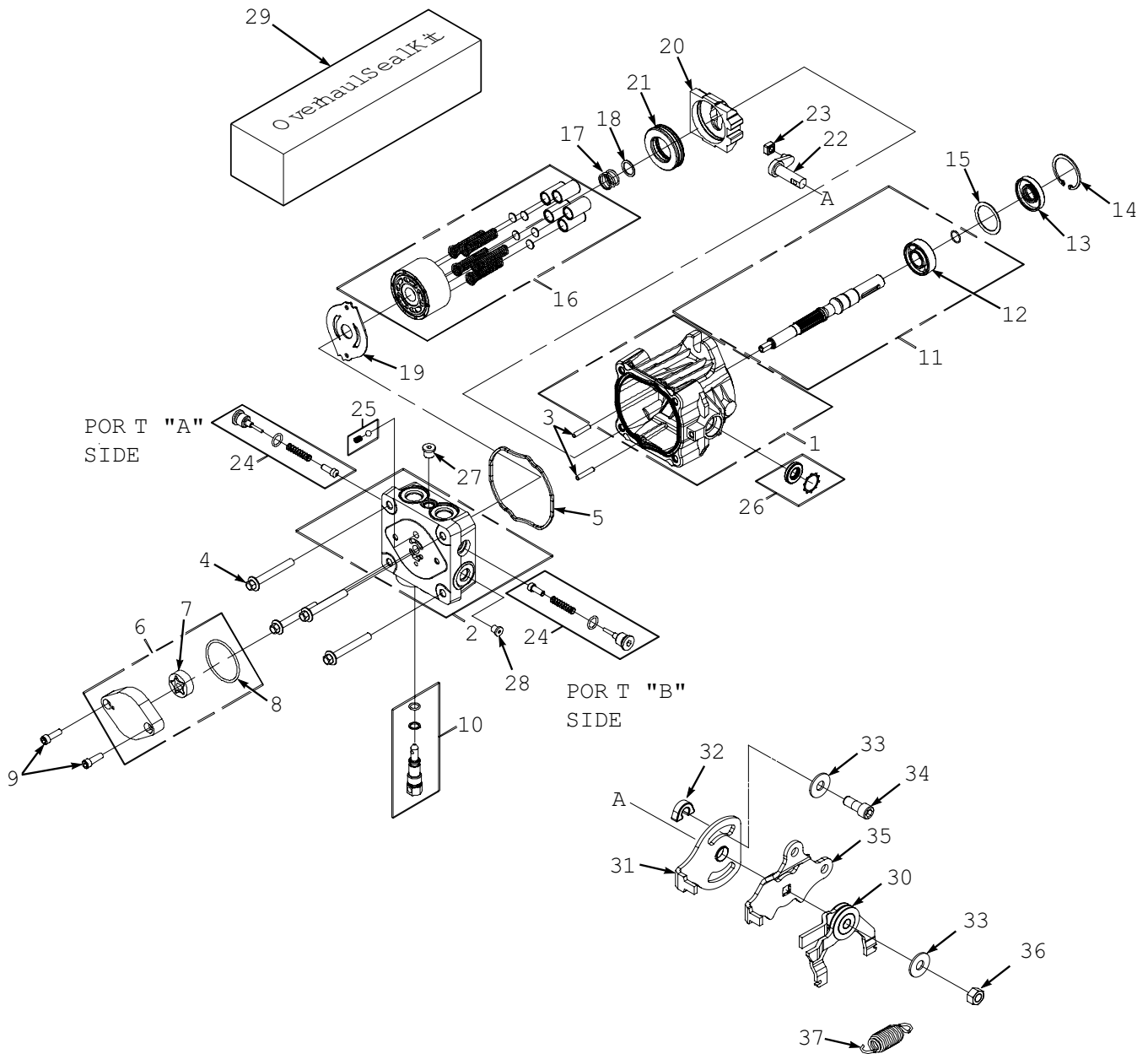
ELECTRICAL SYSTEM



ELECTRICAL SYSTEM

Ref. No.	Part No.	Description
1	462069	Key Assembly w/ FOB
2	48017-04	Nut, Special 5/8"-32
3	487039	Switch, Rocker - Lighted
4	486621	Display, Trail Tech
5	484565	Hourmeter
6	486833	Dial
7	483976	Choke Control
8	04201-17	Bolt, Hex 5/16"-18 x 1" - Stainless Steel
9	463337	Instrument Panel w/ Decal
10	48017-03	Lockwasher, 5/8" Internal Tooth
11	48798	Key Switch (Incl. #2, #10)
12	04221-01	Locknut, 10-32 Elas. Stop - Stainless Steel
13	486455	Motor Controller
14	9612	Foamer Accessory (optional)
15	486090	Pump, 12V Electric 5.0 GPM
16	04317-02	Locknut, 5/16" - 18 Flg. Elas. Stop - Stainless Steel
17	483975	Throttle Control
18	04203-01	Bolt, Carriage 10-32 x .50"
19	48029-14	Battery Cable, Black
20	48029-32	Battery Cable, Red
21	483642	Double Fuse Assy., (incl.#26, #27, #28, #29)
22	48126	Rubber Boot
23	04001-01	Bolt, Hex 1/4"-20 x .75"
24	04020-02	Nut, 1/4"-20
25	483665	Battery, (Not avail. through Scag)
26	482588	Clip, Wire
27	483571	Sealed Fuse Cover, Double
28	48298	Auto Fuse, 20 Amp
29	483629	Fuse Holder, Sealed
30	483642	Double Fuse Assy., (incl.#26, #27, #28, #29)
31	483473	Switch, Double Pole Plunger
32	483013	Relay Switch w/ Diode
33	427908	Mounting Bracket, Brake Switch
34	04203-17	Bolt, Carriage 5/16-18 x 1" - Stainless Steel
35	04317-02	Nut, 5/16-18 Flg. Elas. Stop
36	428105	Plate, Hub Magnet Holder
37	486440	Gear Motor, Electric
38	486614	Wire Harness, Display
39	486611	Bolt, Magnetic
40	04225-01	Nut, M6 x 1.00
41	427828	Plate, Speed Sensor
42	04012-16	Set Screw, #8 - 32 x .375
43	04202-01	Bolt, Hex Head M4-.7 x 10
44	04233-01	Lockwasher, M4-1.1 x 7.6 x .8
45	487069	Wire Harness, STS

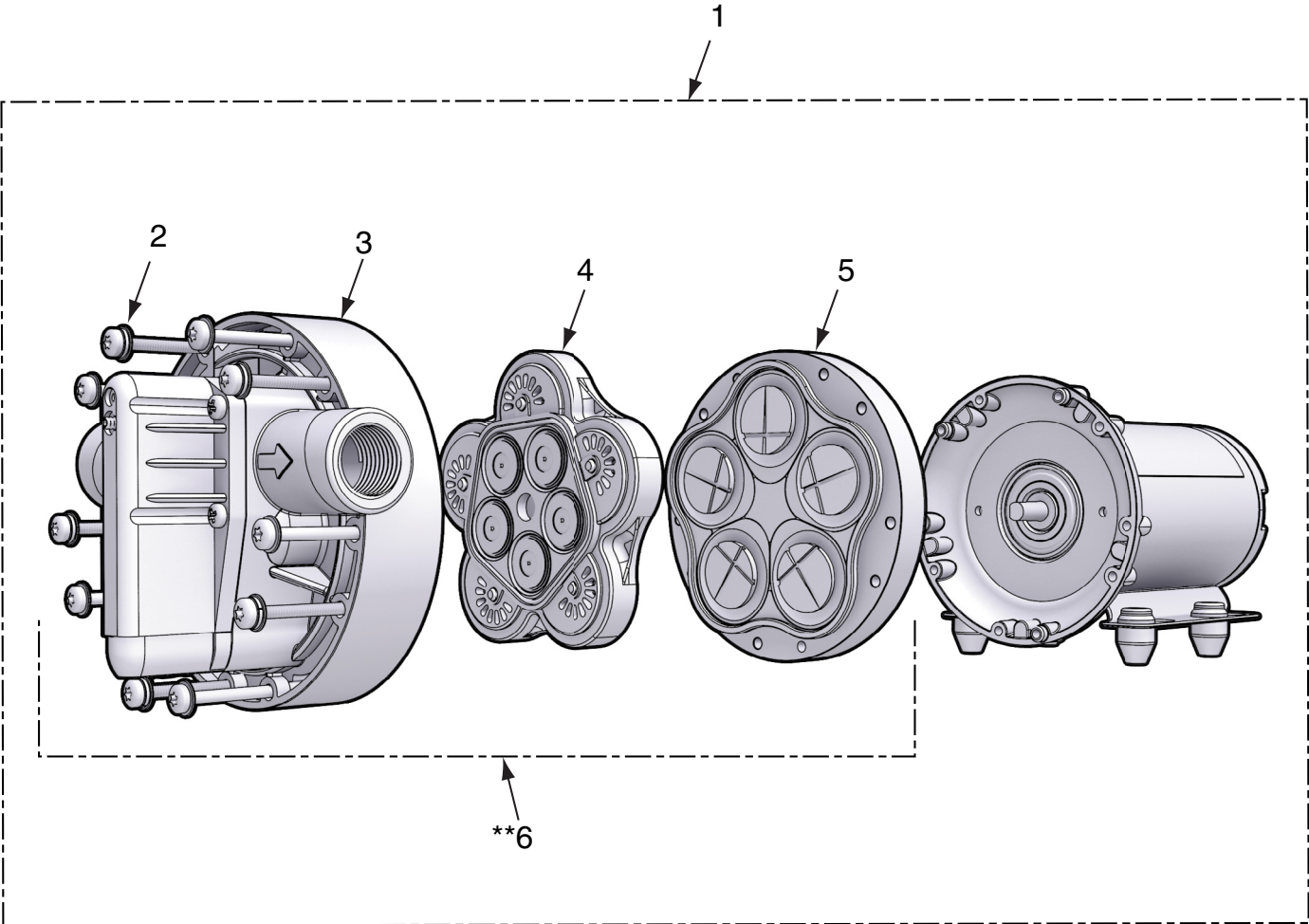
HYDRAULIC PUMP



HYDRAULIC PUMP

Ref. No.	Part No.	Description
1	HG72267	Kit, Housing
2	HG70517	Kit, End Cap
3	HG50641	Pin, .219 x 1.000
4	HG50969	Bolt, M8 X 1.25 mm
5	HG54022	Gasket, Housing
6	HG2513027	Kit, Charge Pump
7	HG50273	Gerotor Assembly
8	HG9004101-1340	O-Ring
9	HG5095	Screw, Socket Head M6 X 1.0 - 20mm
10	HG2513030	Kit, By-Pass
11	HG70521	Kit, Shaft
12	HG50315	Bearing
13	HG51161	Seal, 17 x 40 x 7 Lip
14	HG50329	Ring, Retaining .156 Internal
15	HG50951	Washer, 1.23 x 1.57 x .04
16	HG70331	Kit, Block 10cc
17	HG2003014	Spring, Block
18	HG2003017	Washer, .59 x .79 x .04
19	HG51444	Plate, Valve 10cc
20	HG53998	Swashplate
21	HG53502	Bearing, Thrust
22	HG52866	Arm, Trunion
23	HG2000015	Slot Guide
24	HG70743	Kit, Shock Valve (.031 Orifice)
	HG70744	Kit, Shock Valve (.044 Orifice)
25	HG70402	Kit, Charge Relief
26	HG2513043	Kit, Seal
27	HG9005110-4400	Plug, 7/16-20
28	HG9005110-5600	Plug, 9/16-18
29	HG70525	Seal Kit
30	HG71716	RTN Assembly
31	HG51391	Arm, Return
32	HG51561	Spacer
33	HG44130	Washer
34	HG51400	Screw, 5/16-24 x 3/4" w/Patch
35	HG51394	Control Arm
36	HG52506	Nut, Center Lock 5/16-24 UNF
37	HG52401	Spring, External

SPRAYER PUMP



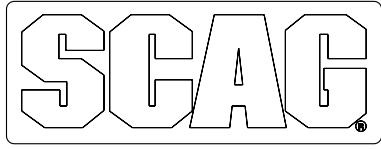
SPRAYER PUMP

Ref. No.	Part No.	Description
1	486090	Pump. 12v - 5 GPM
2	486901	Screw Kit, Remco (all pumps)
3	486897	Bypass, Upper Housing (5.3 GPM)
4	486898	Valve Housing (5.3 GPM)
5	486899	Lower Housing (5.3 GPM)
6	**486902	Pump Head Assembly (7 GPM -Optional Accessory)
*	486900	Outlet Check Valve (5 GPM & 7 GPM)

* Not Shown

** Only available as an assembly for the optional 7GPM pump

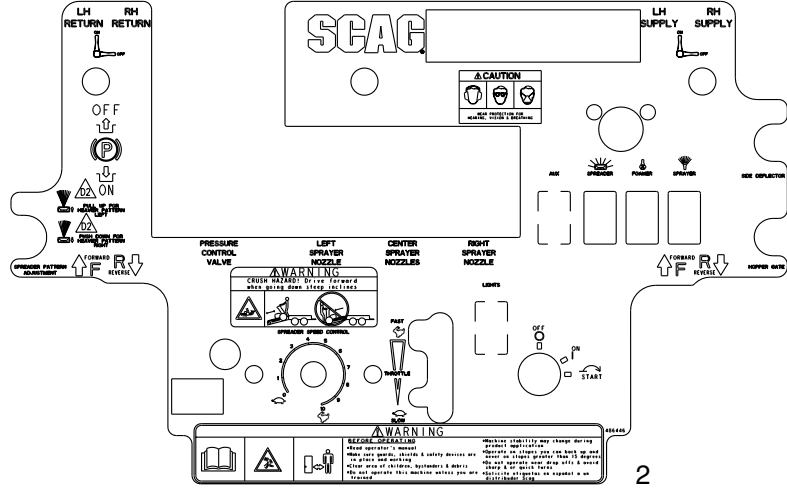
REPLACEMENT DECALS AND INFORMATION PLATES



1



6



2



4



5



3

Spreader / Sprayer Information

Make sure to follow the chemical manufacturer's recommendations for application rates and use of appropriate personal protective equipment while mixing.

When spreading and spraying at the same time, make sure to set the spreader's effective spread width to twice the sprayer's effective coverage. Ex. If you are spraying with all 4 or 5 nozzles depending on the model used (80 inches or 100 inches of effective coverage), you will need to set the spreader to have an effective spread width of 160 inches or 200 inches depending on model used.

The spreader should spread back to around the center of the last passes tire marks. The end of the sprayer boom should pass about 20 inches from the last passes sprayer boom end or foam marker if equipped.

When mixing multiple items, make sure to follow the W.A.L.E.S system for mixing.

W - Wettable Powders
A - Agitate Tank
L - Liquid Product
E - Emulsifiable Concentrates
S - Surfactants

*These tables are an approximate calibration and should only be used as a base setting for calibration. Refer to the owners manual for precise calibration procedures.

Approximate Calibration for Spreading

Nozzle	PSI	Gravity (oz./min)	Density (lb./cu.ft.)			Gallons per 1000 sq. ft.		
			2 mph	3 mph	4 mph	2 mph	3 mph	4 mph
APPLICATOR (L)	30	0.18	47	37	31	2.7	2.4	2.0
	40	0.15	39	31	27	2.4	2.0	1.7
	50	0.13	32	25	22	2.0	1.7	1.5
APPLICATOR (D)	30	0.18	47	37	31	2.7	2.4	2.0
	40	0.15	39	31	27	2.4	2.0	1.7
	50	0.13	32	25	22	2.0	1.7	1.5
APPLICATOR (S)	30	0.22	58	45	38	3.3	2.9	2.4
	40	0.18	47	37	31	2.7	2.4	2.0
	50	0.15	39	31	27	2.4	2.0	1.7
APPLICATOR (M)	30	0.26	65	50	42	3.8	3.3	2.8
	40	0.20	50	39	33	2.9	2.5	2.1
	50	0.16	41	31	26	2.3	2.0	1.7
APPLICATOR (G)	30	0.35	87	67	56	5.1	4.5	3.8
	40	0.28	70	54	45	4.1	3.6	3.0
	50	0.23	58	45	38	3.3	2.9	2.4
APPLICATOR (B)	30	0.45	112	87	72	6.7	5.9	5.0
	40	0.35	87	67	56	5.1	4.5	3.8
	50	0.28	70	54	45	4.1	3.6	3.0
APPLICATOR (A)	30	0.55	138	106	88	8.3	7.3	6.2
	40	0.42	104	80	67	6.2	5.4	4.6
	50	0.34	84	65	54	5.0	4.4	3.7
APPLICATOR (C)	30	0.65	163	126	104	9.9	8.7	7.4
	40	0.50	125	96	80	7.5	6.6	5.6
	50	0.41	102	78	65	6.1	5.3	4.5
APPLICATOR (F)	30	0.85	212	164	136	12.8	11.2	9.5
	40	0.65	163	126	104	9.9	8.7	7.4
	50	0.52	130	100	83	7.7	6.8	5.8

Approximate Calibration for Spreading

Product	lbs. per 1000 Sq. Ft.	Star Setting
Fine Pellets	1	4.75
	2	5.25
	3	5.5
Med Fine Pellets	2	5.0
	4	6.0
	6	6.5
Small Pellets	2	4.25
	4	5.5
	6	5.75
Med Nitrogen Pellets	1	4.75
	2	5.5
	3	6.0
Med Granules	2	4.75
	4	5.5
	6	6.5
Med Pellets	2	4.75
	4	5.5
	6	6.5
Large Pellets	2	5.0
	4	6.25
	6	7.25

** Calculated using 1.8 m³

7

REPLACEMENT DECALS AND INFORMATION PLATES

Ref. No.	Part No.	Description
1	486197	Decal, Scag
2	486446	Decal, Instrument Panel - Turf Storm
3	486755	Decal, Scag Power Equipment (Fuel Tank)
4	486689	Decal, Hopper Front - Turf Storm
5	486687	Decal, LH Spray Tank - Turf Storm
	486688	Decal, RH Spray Tank - Turf Storm
6	485403	Decal, Metalcraft - USA
7	486733	Decal, Stray & Spread Instructions - Turf Storm

STS ELECTRICAL SCHEMATIC (shown with Key Off, PTO Off, Park Brake Applied, OPC Disengaged)

